



US00D461201S

(12) **United States Design Patent**
Apothéloz

(10) **Patent No.:** **US D461,201 S**

(45) **Date of Patent:** **** Aug. 6, 2002**

(54) **MICROSCOPE**

(75) Inventor: **Christophe Apothéloz**, Gockhausen
(CH)

(73) Assignee: **Leica Microsystems AG**, Heerbrugg
(DE)

(**) Term: **14 Years**

(21) Appl. No.: **29/152,683**

(22) Filed: **Dec. 27, 2001**

Related U.S. Application Data

(62) Division of application No. 29/132,494, filed on Nov. 13, 2000.

(30) **Foreign Application Priority Data**

May 12, 2000 (DE) 400 04 640

(51) **LOC (7) Cl.** **16-06**

(52) **U.S. Cl.** **D16/131**

(58) **Field of Search** D16/130, 131;
359/375, 376, 377, 378, 379, 381, 382,
383, 385, 368, 821

(56) **References Cited**

U.S. PATENT DOCUMENTS

- 2,967,456 A * 1/1961 Maier 359/376 X
- D198,104 S * 4/1964 Armbruster D16/131
- 3,260,157 A * 7/1966 Boughton 359/379
- 4,283,111 A * 8/1981 Wieber et al. 359/381
- D290,129 S * 6/1987 Kahute D16/131

- D299,357 S * 1/1989 Garnich et al. D16/131
- 4,863,252 A * 9/1989 McCarthy et al. 359/376
- 5,119,233 A * 6/1992 Hayashi 359/385 X
- D345,749 S * 4/1994 Hofmann-Igl et al. D16/131
- D367,869 S * 3/1996 Hofmann-igl et al. D16/131
- D387,366 S * 12/1997 Arabane et al. D16/131
- 5,737,134 A * 4/1998 Watanabe et al. 359/821
- D439,258 S * 3/2001 Kawahata D16/131
- D440,996 S * 4/2001 Takanashi D16/131

* cited by examiner

Primary Examiner—Paula A. Mortimer

(74) *Attorney, Agent, or Firm*—Crowell & Moring LLP

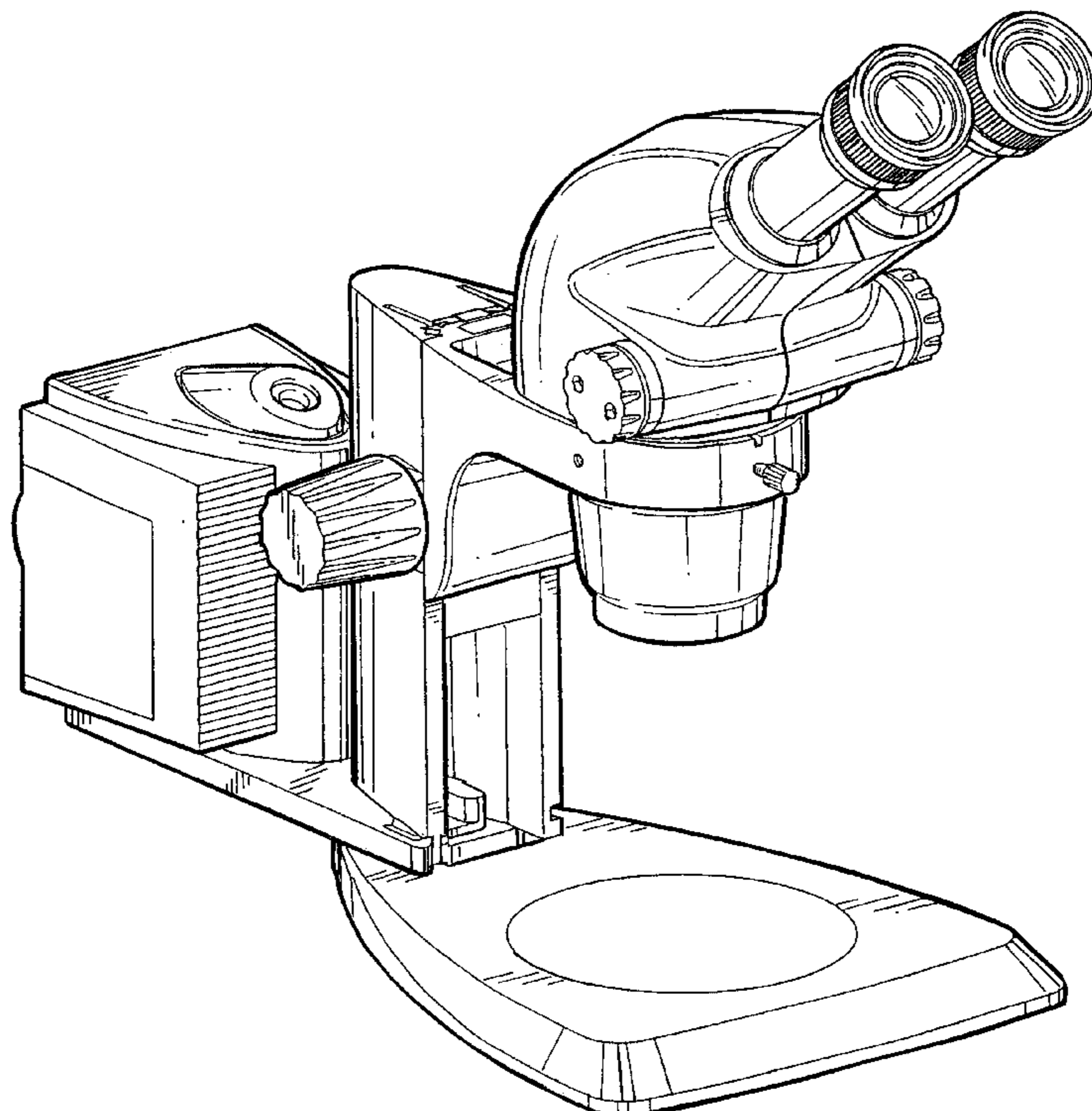
(57) **CLAIM**

The ornamental design for a microscope, as shown and described.

DESCRIPTION

FIG. 1 is a front perspective view of a microscope according to my novel design;
 FIG. 2 is a front view of the microscope according to my novel design;
 FIG. 3 is a rear view of the microscope according to my novel design;
 FIG. 4 is a left side view of the microscope according to my novel design;
 FIG. 5 is a right side view of the microscope according to my novel design;
 FIG. 6 is a top view of the microscope according to my novel design; and,
 FIG. 7 is a bottom view of the microscope according to my novel design.

1 Claim, 6 Drawing Sheets



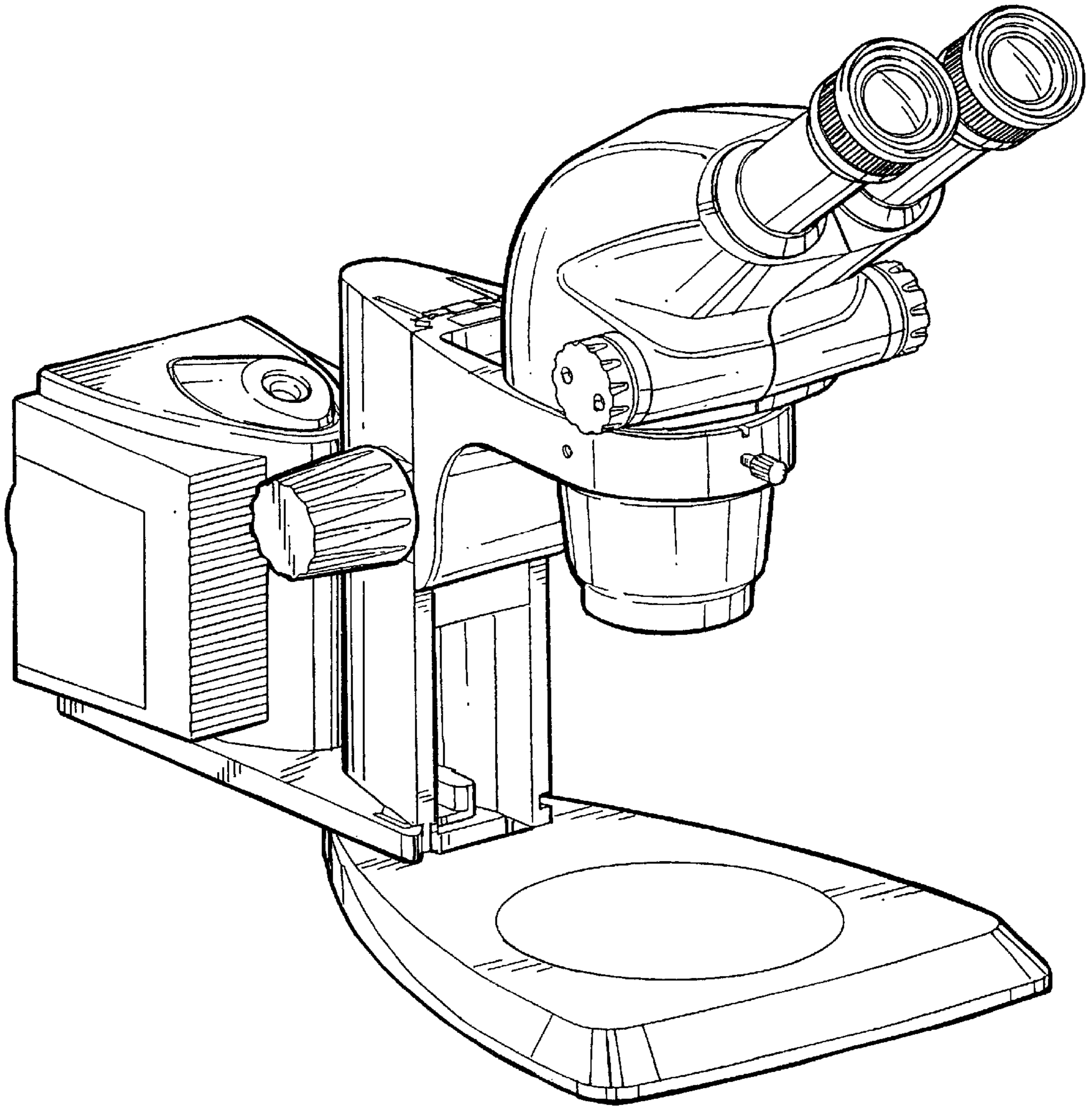


FIG. 1

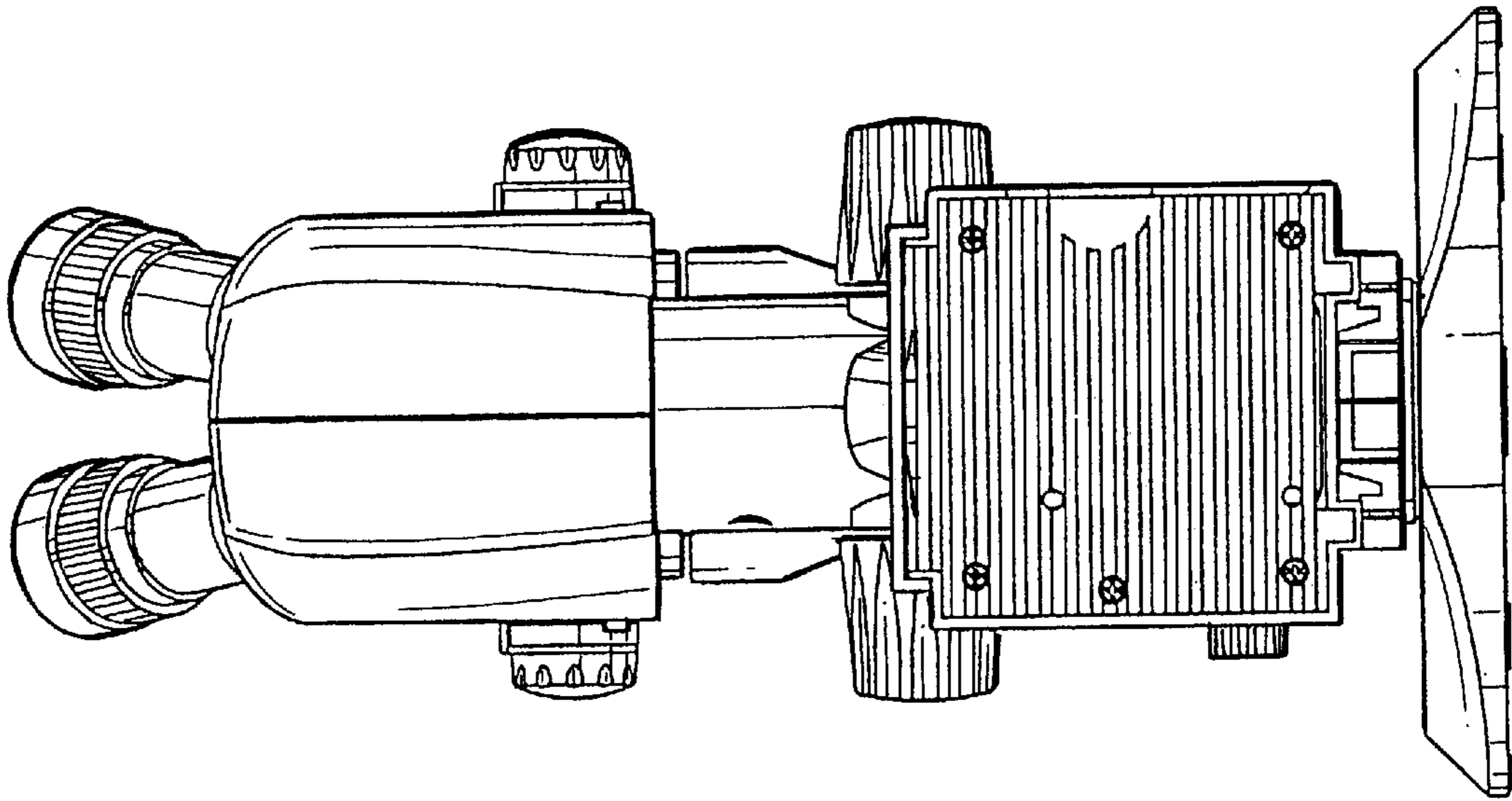


FIG. 3

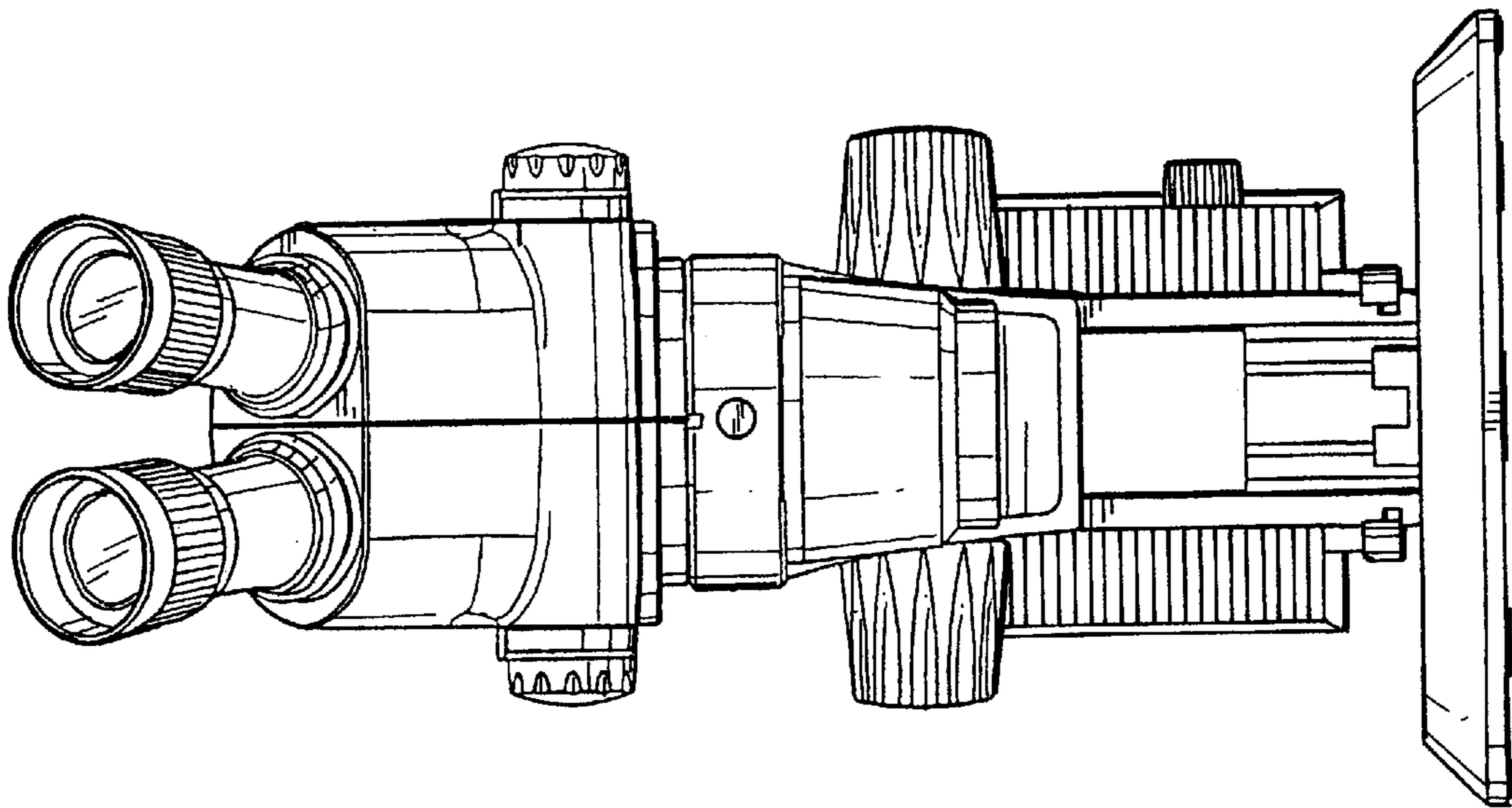


FIG. 2

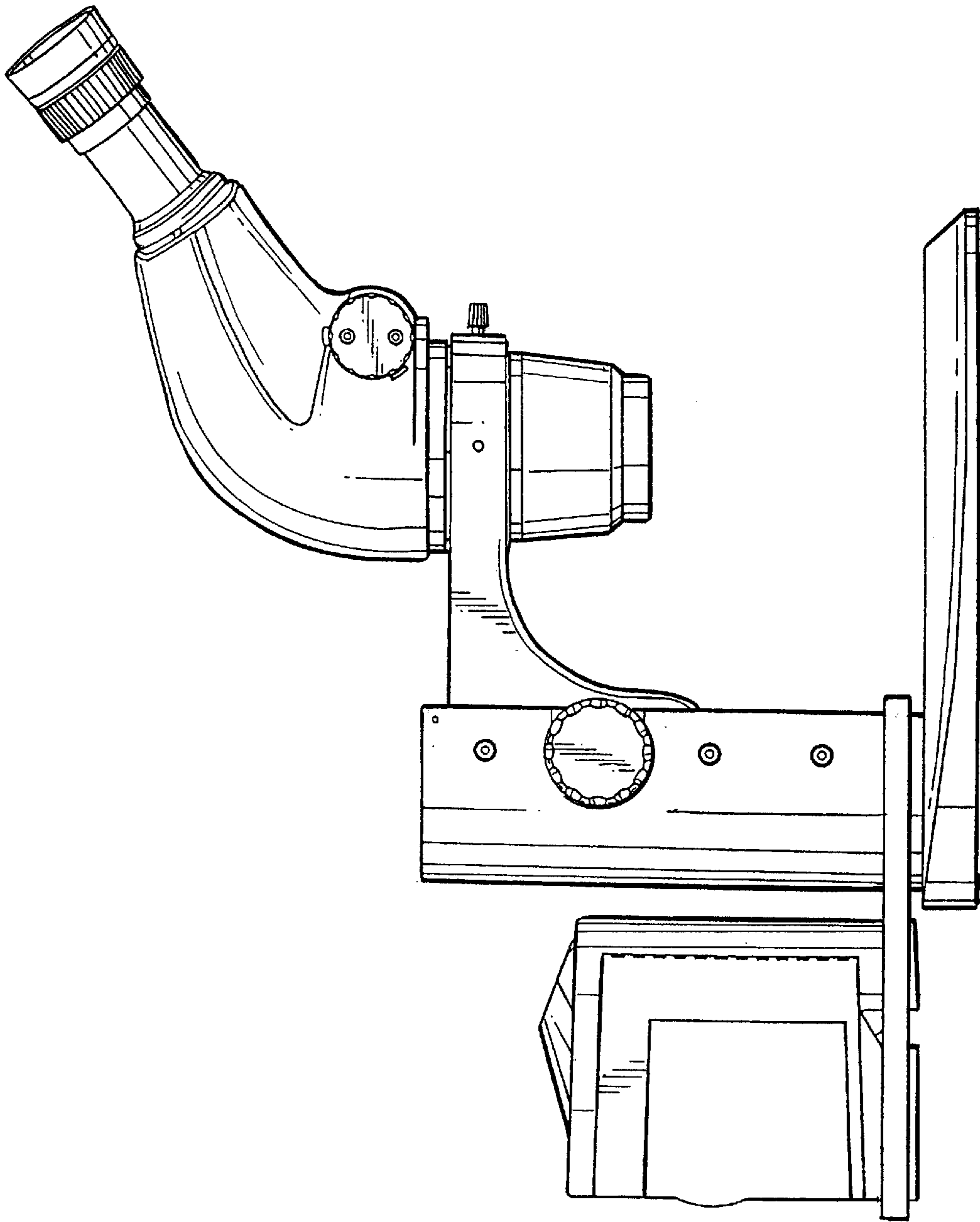


FIG. 4

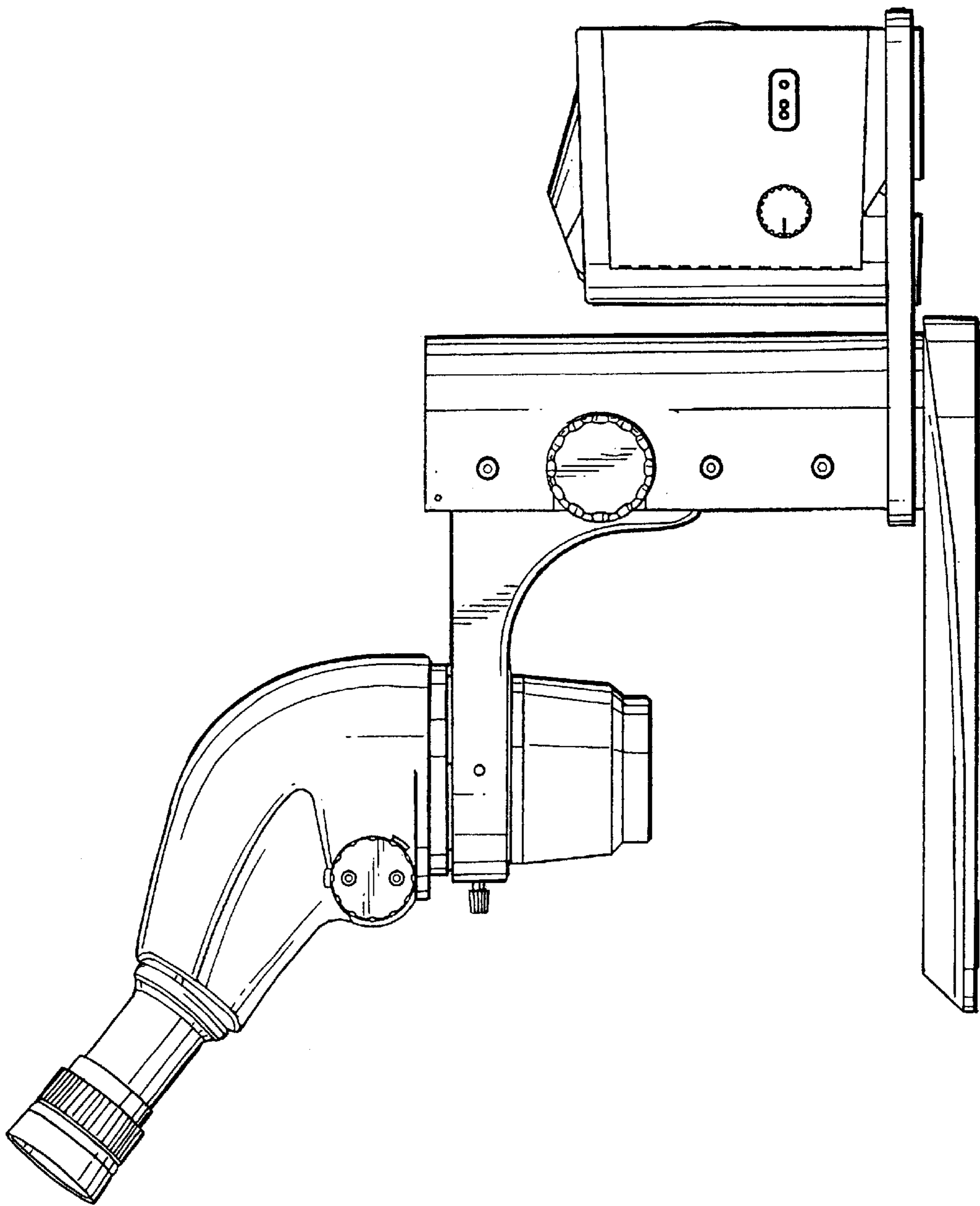


FIG. 5

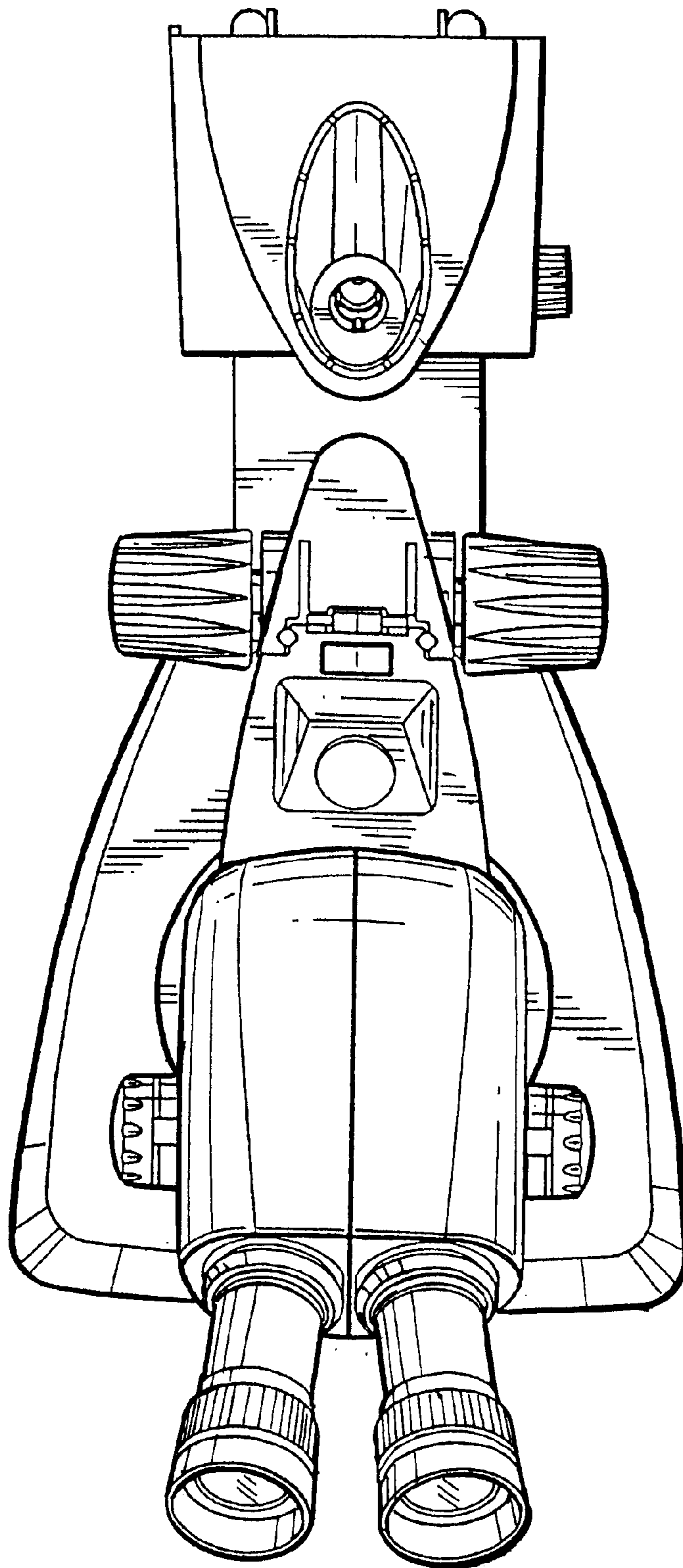


FIG. 6

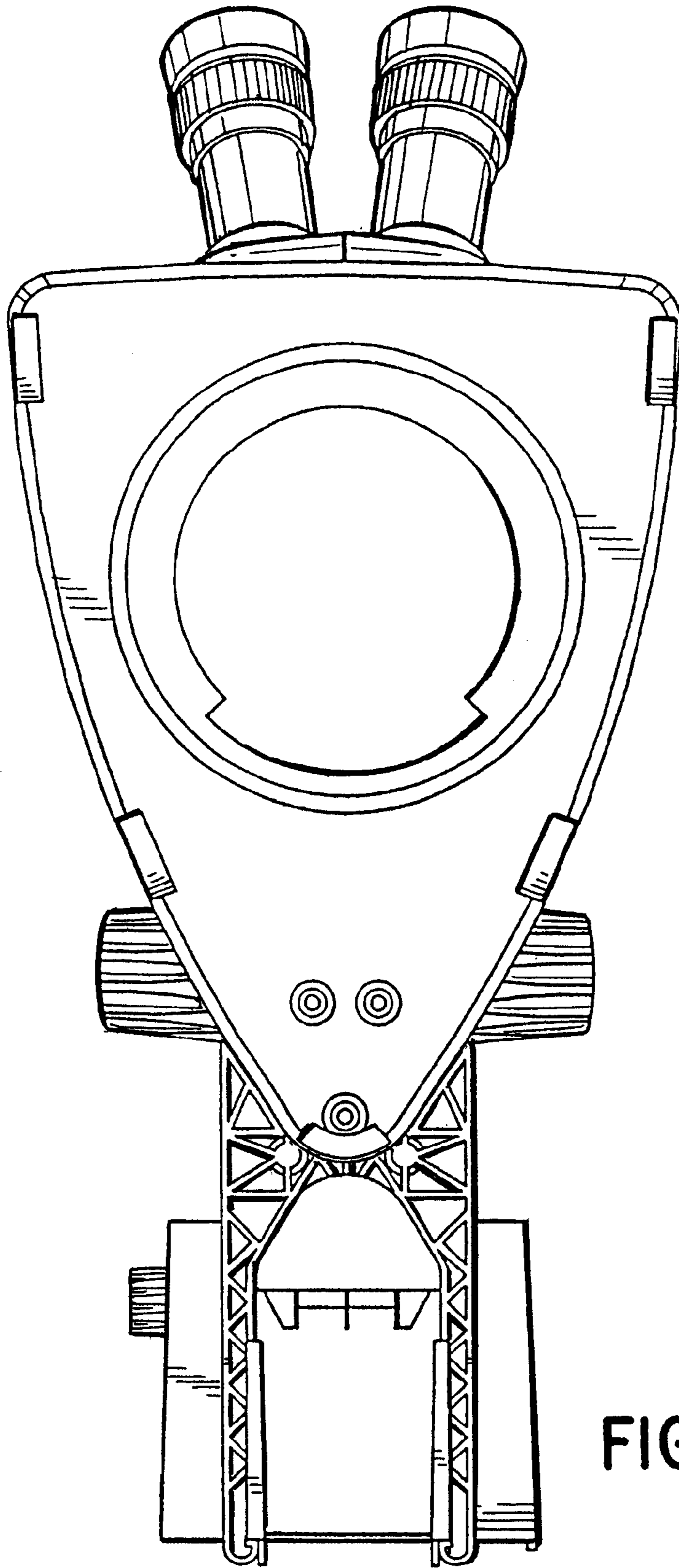


FIG. 7

UNITED STATES PATENT AND TRADEMARK OFFICE
CERTIFICATE OF CORRECTION

PATENT NO. : Des. 461,201 S
DATED : August 6, 2002
INVENTOR(S) : Christophe Apothéloz

Page 1 of 1

It is certified that error appears in the above-identified patent and that said Letters Patent is hereby corrected as shown below:

Title page.

Item [73], Assignee, replace "Heerbrugg (DE)", with -- Heerbrugg (CH) --.

Signed and Sealed this

Seventh Day of February, 2006

A handwritten signature in black ink on a light gray dotted background. The signature reads "Jon W. Dudas" in a cursive style.

JON W. DUDAS

Director of the United States Patent and Trademark Office