



US00D461198S

(12) **United States Design Patent**
Ketting et al.

(10) **Patent No.:** **US D461,198 S**

(45) **Date of Patent:** **** Aug. 6, 2002**

(54) **TOOTH CAP FOR CONSTRUCTION MACHINERY**

(75) Inventors: **Michael Ketting**, Ennepetal; **Wilfried Batke**, Bochum; **Helmut Halama**, Oberhausen, all of (DE); **Marco Ricci**, Novellara Re (IT); **Jürgen Siebeck**, Bochum; **Frank Tintrup**, Herne, both of (DE)

(73) Assignee: **Intertractor GmbH**, Gevelsberg (DE)

(**) Term: **14 Years**

(21) Appl. No.: **29/151,782**

(22) Filed: **Oct. 30, 2001**

Related U.S. Application Data

(62) Division of application No. 29/129,271, filed on Sep. 11, 2000.

(30) **Foreign Application Priority Data**

Mar. 11, 2000 (DE) 400 02 505
Apr. 12, 2000 (DE) 400 03 660
May 4, 2000 (DE) 400 04 302

(51) **LOC (7) Cl.** **15-03**

(52) **U.S. Cl.** **D15/29**

(58) **Field of Search** D15/28, 29; 37/452-456

(56) **References Cited**

U.S. PATENT DOCUMENTS

3,444,633 A * 5/1969 Hensley 37/452
3,959,901 A * 6/1976 Klett 37/452

D296,442 S * 6/1988 Broomhall D15/29
4,965,945 A * 10/1990 Emrich 37/456
D328,466 S * 8/1992 Robinson D15/29
D329,243 S * 9/1992 Robinson D15/29
D365,109 S * 12/1995 Robinson et al. D15/28
D414,193 S * 9/1999 Launder et al. D15/29
D417,877 S * 12/1999 Launder et al. D15/29
D420,014 S * 1/2000 Karlsson D15/29

* cited by examiner

Primary Examiner—Mitchell Siegel

(74) *Attorney, Agent, or Firm*—Herbert Dubno

(57) **CLAIM**

The ornamental design for a tooth cap for construction machinery, as shown and described.

DESCRIPTION

FIG. 1 is a top, front, right-side perspective view of a tooth cap for construction machinery showing our new design; FIG. 2 is a bottom, front, right-side perspective view thereof, the left side being mirror symmetrical to the right side shown;

FIG. 3 is a plan view thereof;

FIG. 4 is a right-side elevational view thereof;

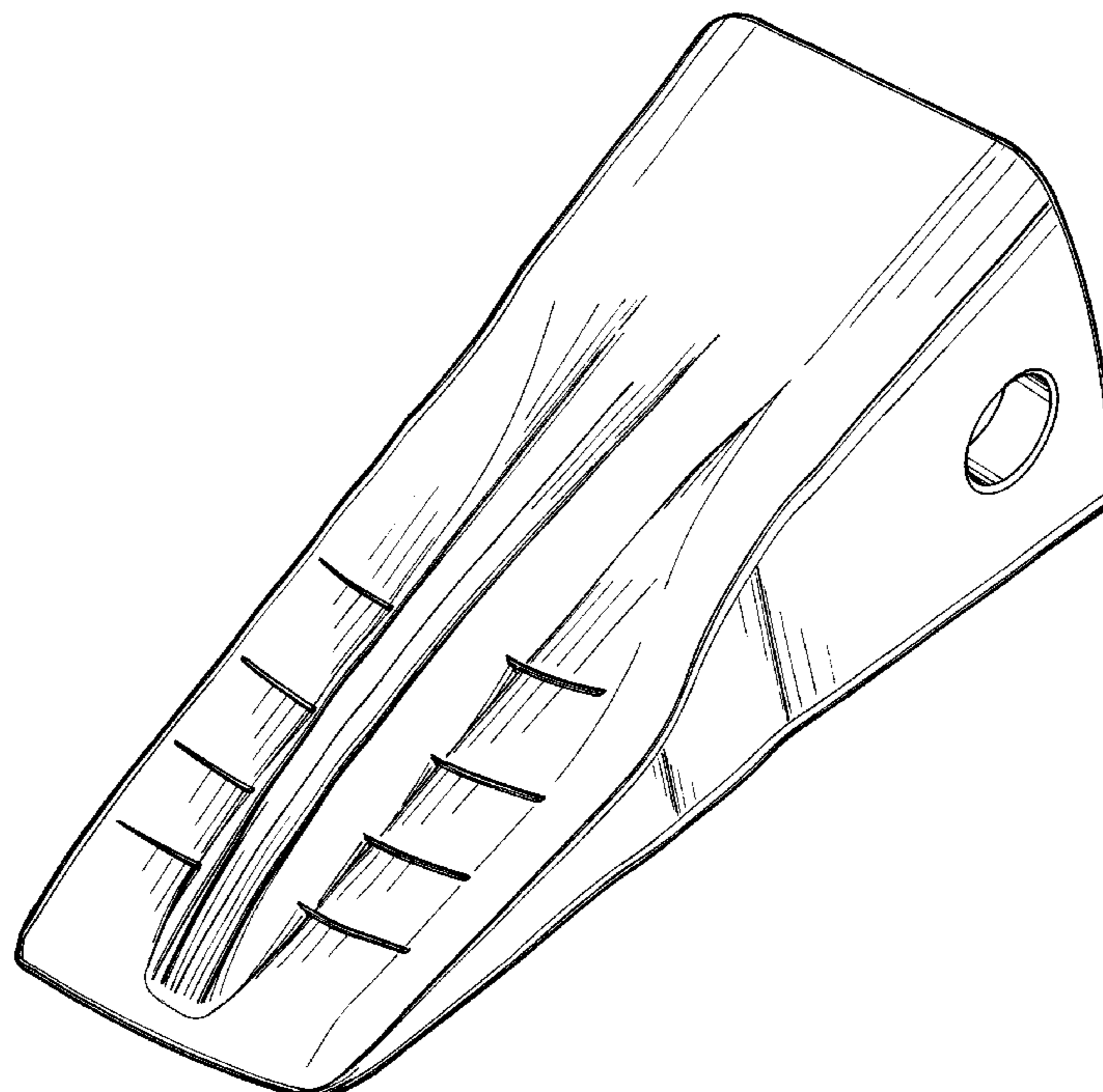
FIG. 5 is a rear elevational view thereof;

FIG. 6 is a top, front, right-side perspective view of a second embodiment of the tooth cap for construction machinery as disclosed in FIG. 1; and,

FIG. 7 is a top, front, right-side perspective view of a third embodiment of the tooth cap for construction machinery as disclosed in FIG. 1.

The undisclosed sides of the second and third embodiments are identical to those disclosed in the first embodiment.

1 Claim, 7 Drawing Sheets



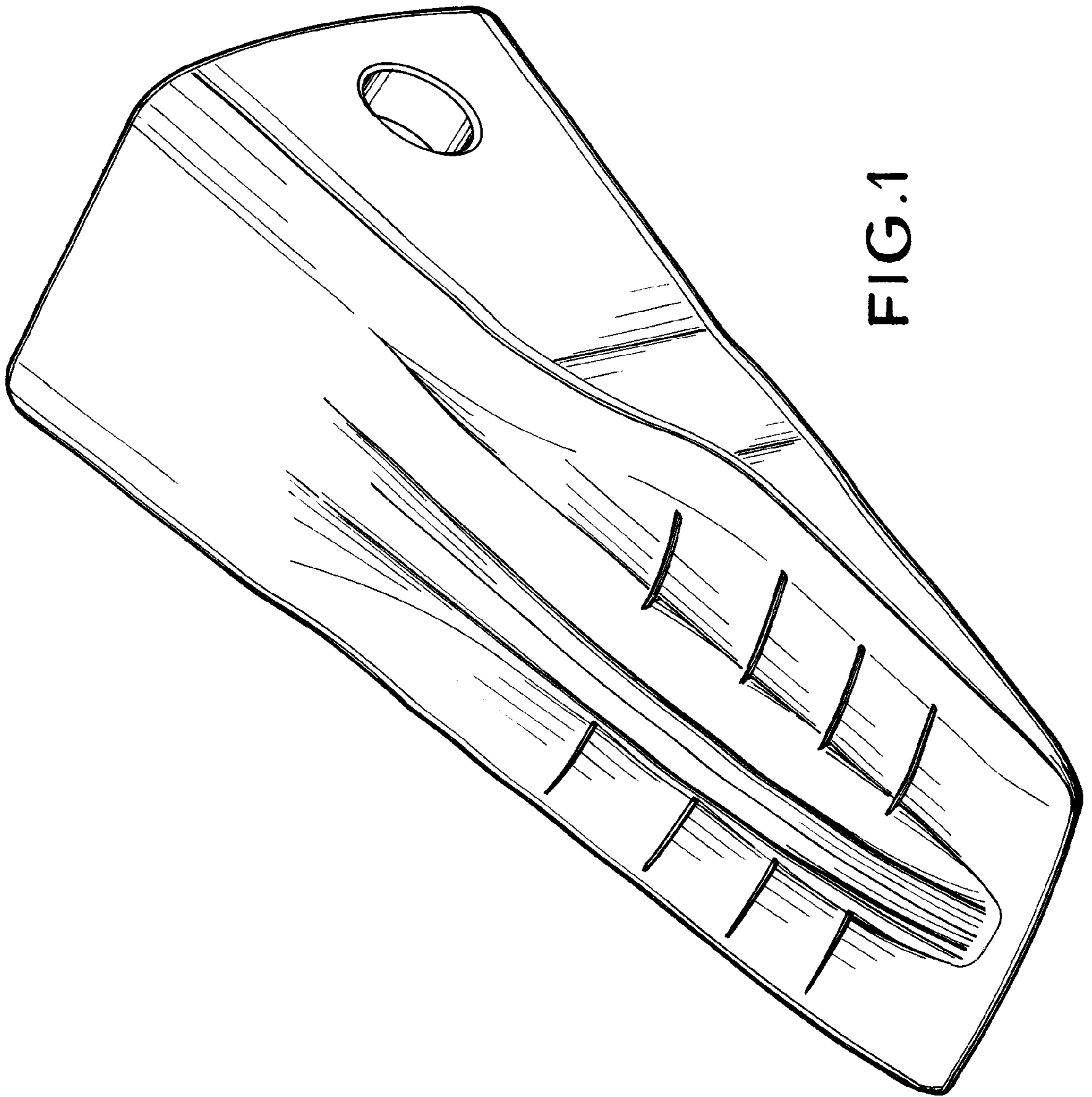


FIG.1

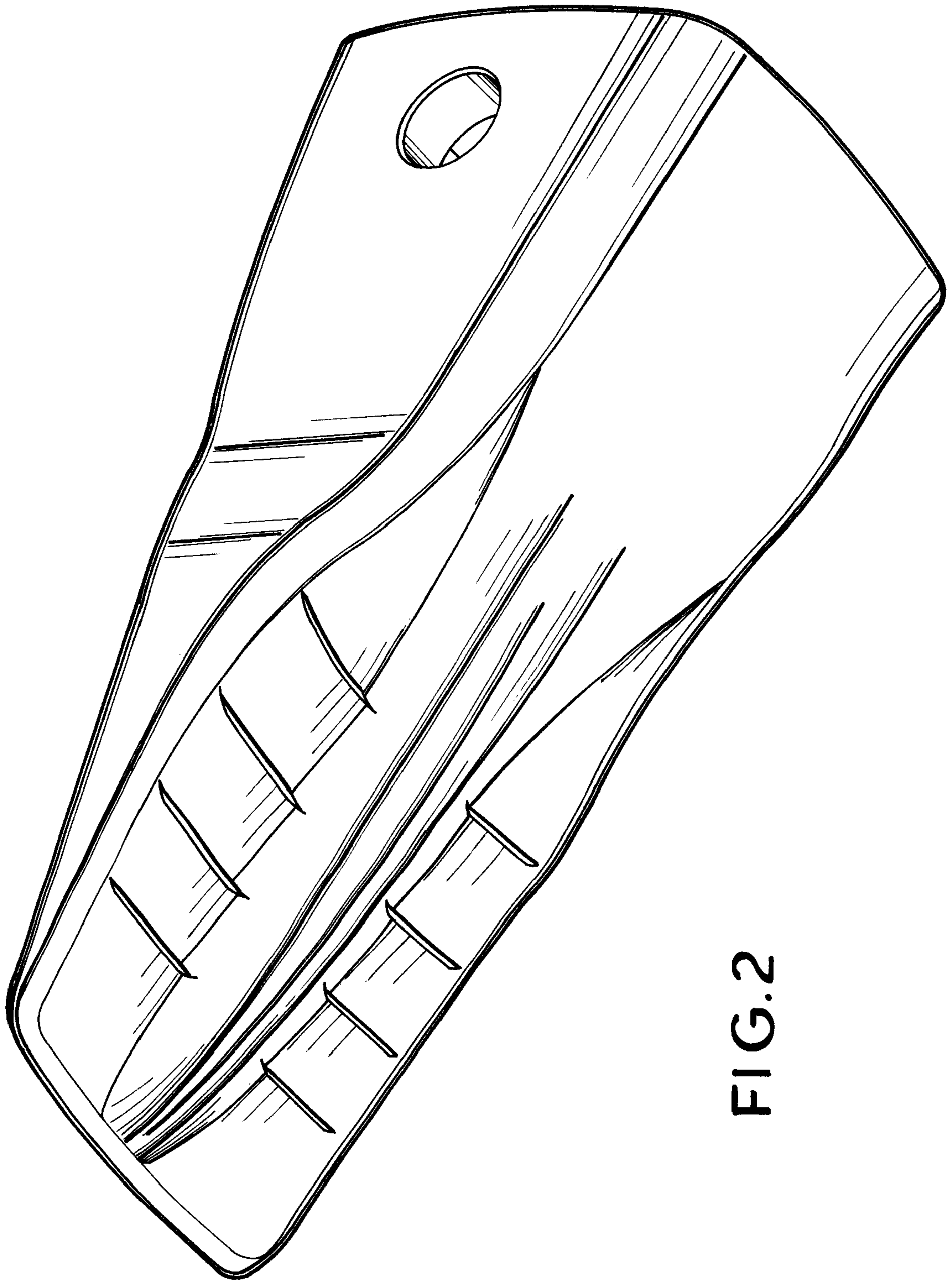


FIG.2

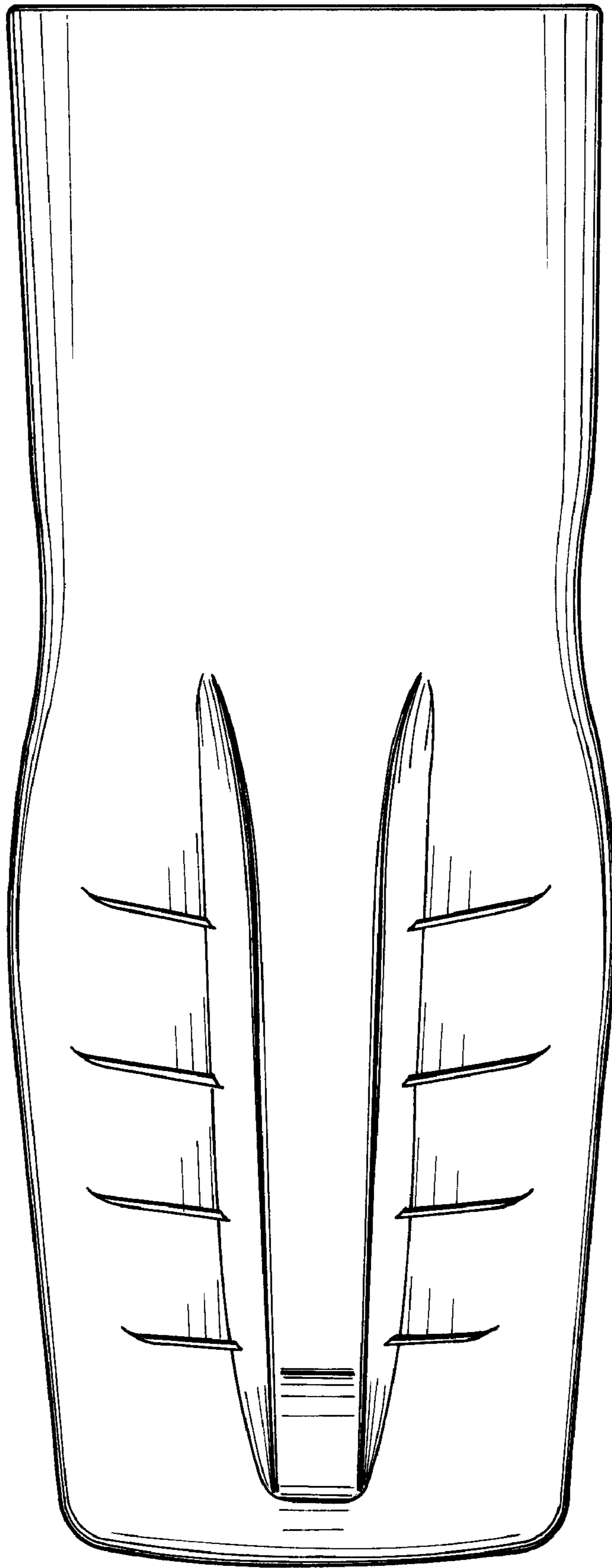


FIG. 3

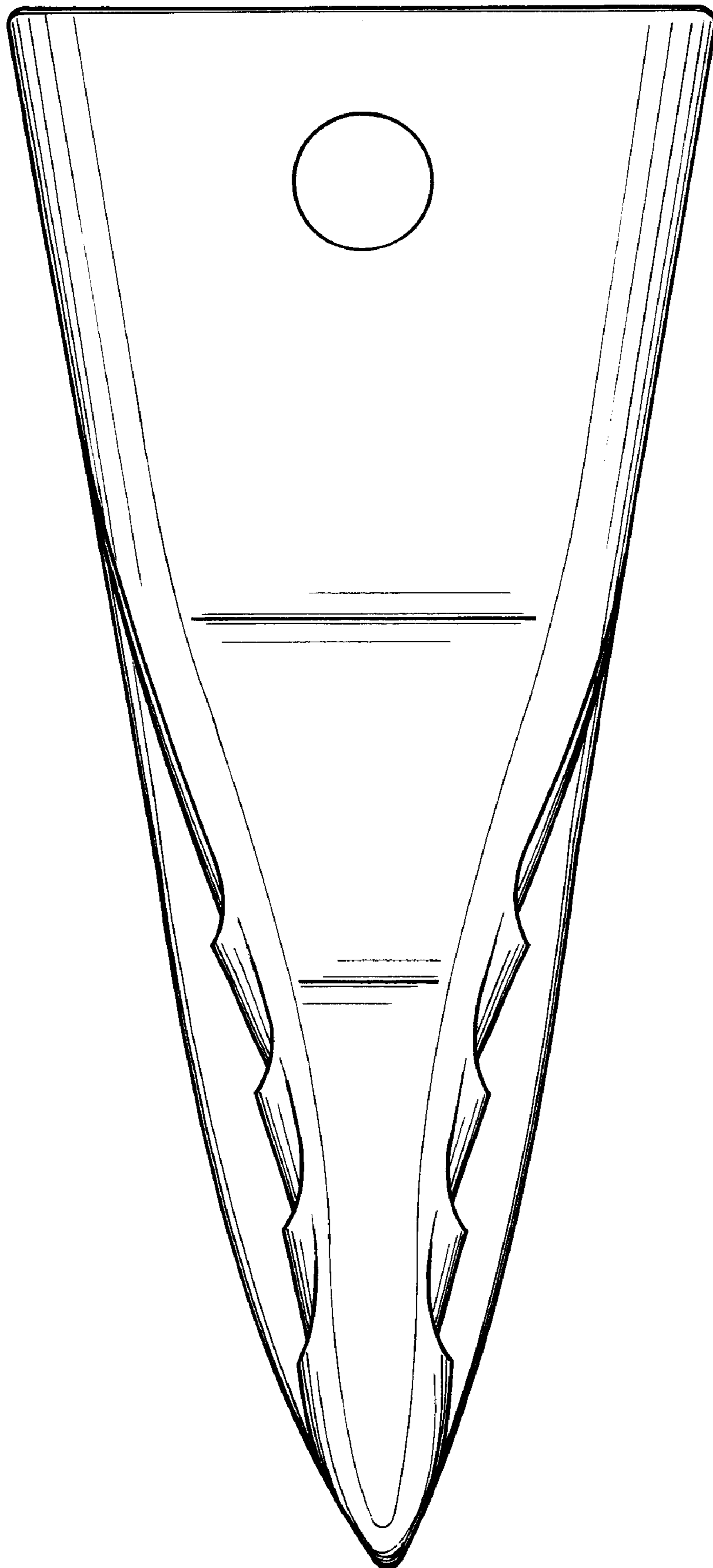


FIG. 4

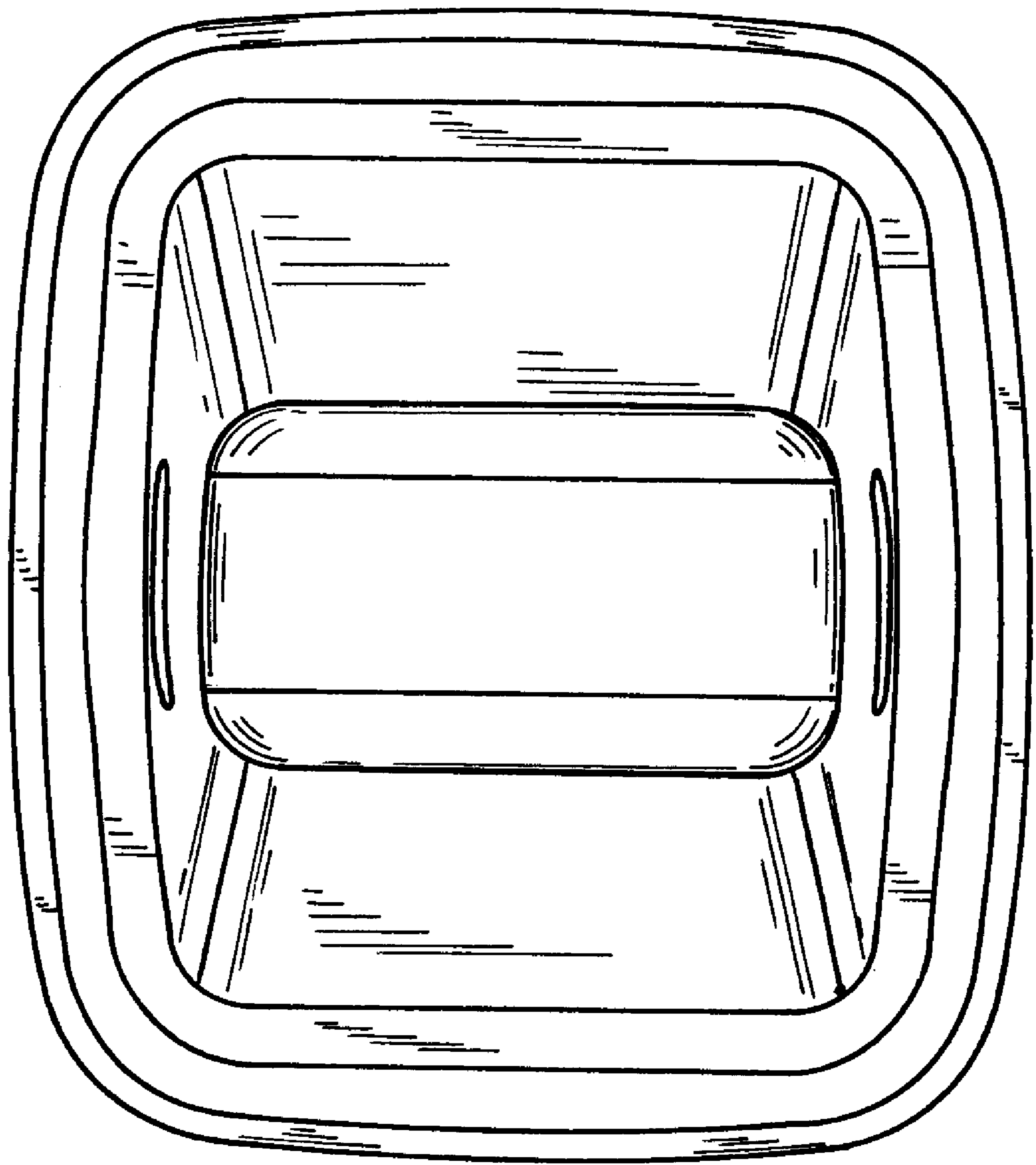


FIG. 5

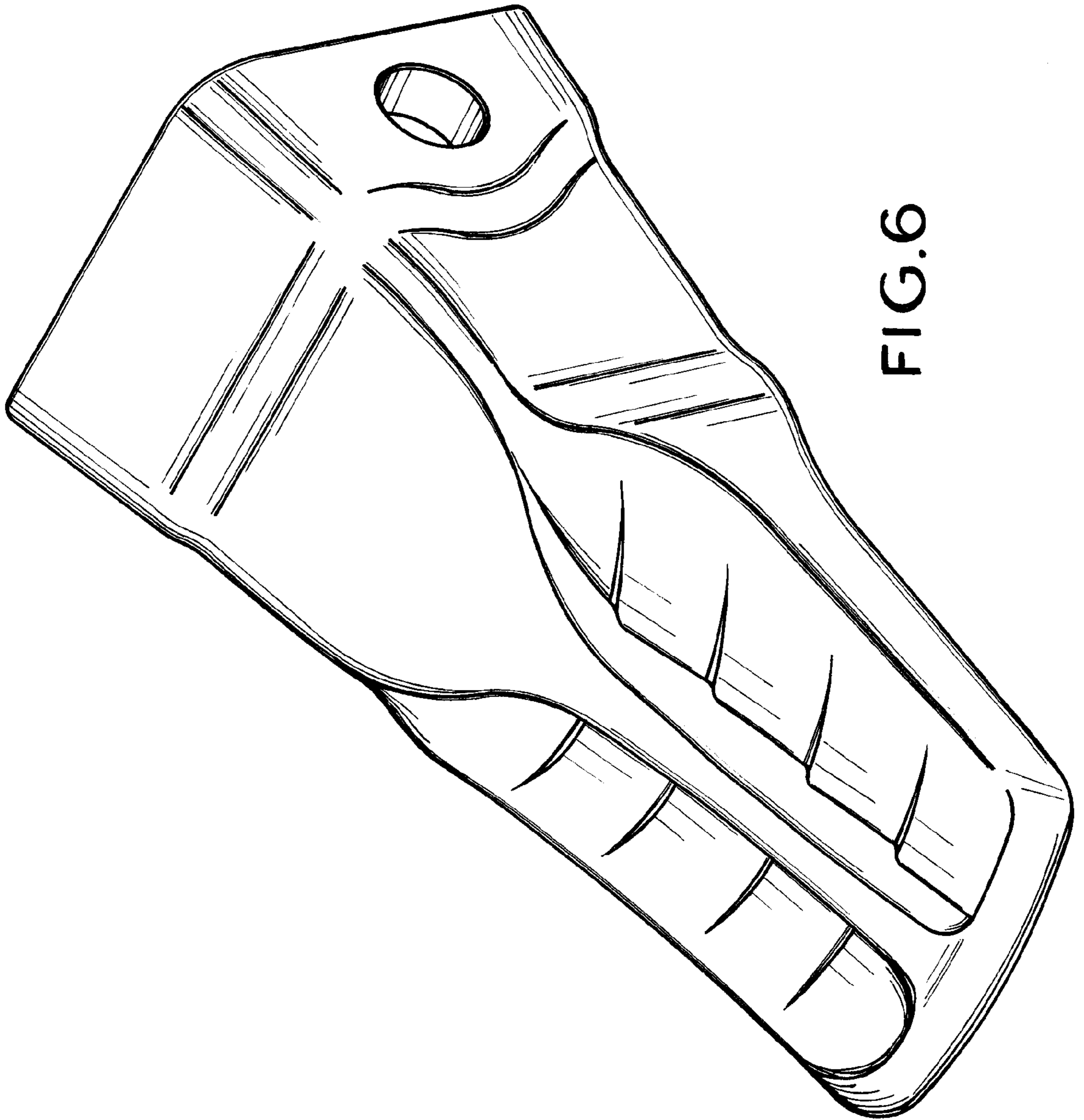


FIG. 6

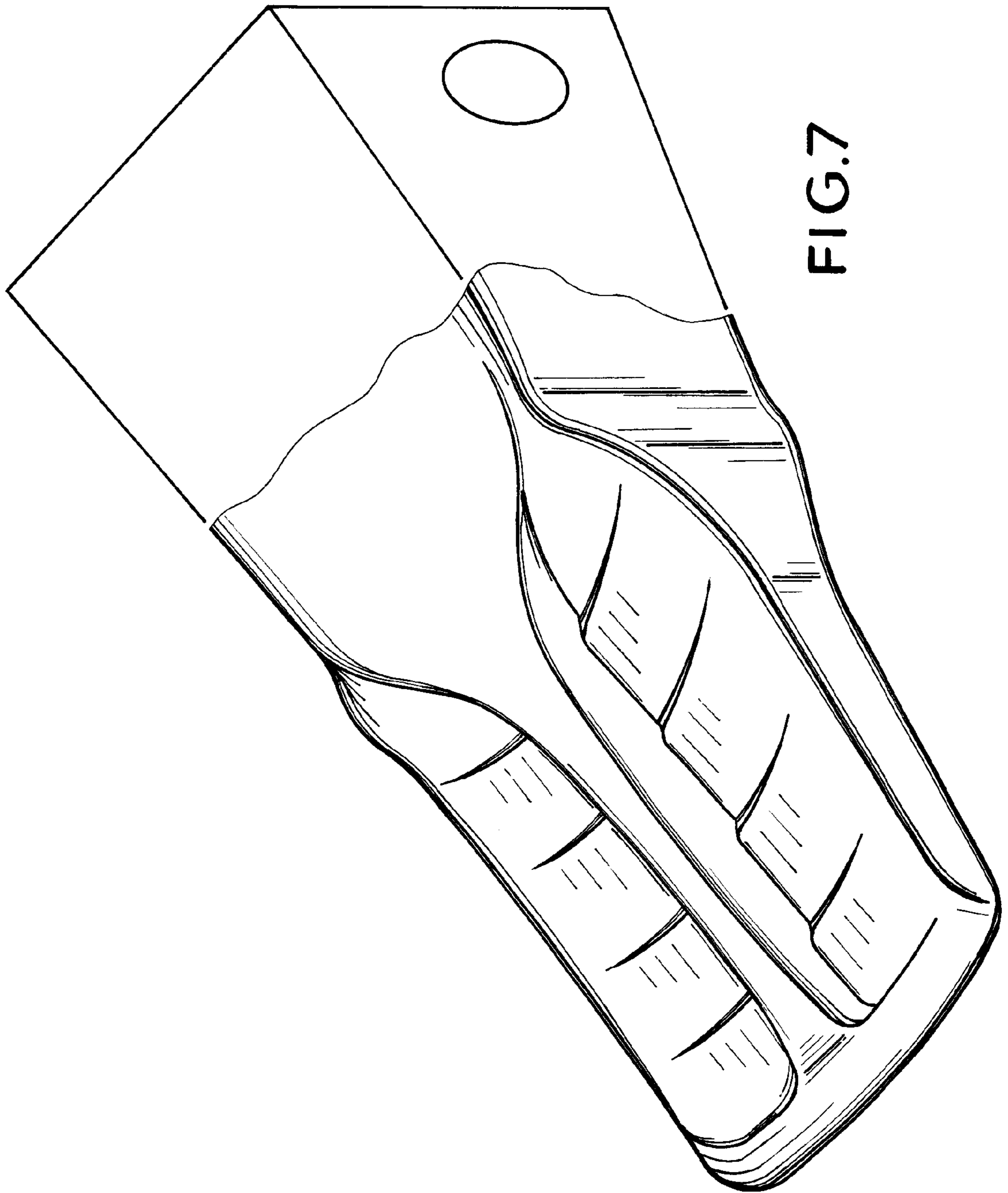


FIG. 7