



US00D461197S

(12) **United States Design Patent**
Geier et al.

(10) **Patent No.:** **US D461,197 S**

(45) **Date of Patent:** **** Aug. 6, 2002**

(54) **VIBRATORY TRENCH ROLLER**

(75) Inventors: **Daniel Geier**, Colgate; **Ronald Brinkmann**, Hartford; **Jay Baudhuin**, Mayville; **Steven F. Thiel**, Colgate; **Scott H. Micoley**, Cedarburg, all of WI (US)

(73) Assignee: **Wacker Corporation**, Menomonee Falls, WI (US)

(**) Term: **14 Years**

(21) Appl. No.: **29/143,376**

(22) Filed: **Jun. 12, 2001**

(51) **LOC (7) Cl.** **15-03**

(52) **U.S. Cl.** **D15/20**

(58) **Field of Search** D15/20; 180/20,
180/89.12; 404/121, 124, 89

(56) **References Cited**

U.S. PATENT DOCUMENTS

3,259,039	A	*	7/1966	Peterson et al.	404/121
3,269,285	A	*	8/1966	Lathers	401/124
D208,694	S	*	9/1967	Harbke	D15/20
D208,996	S	*	10/1967	Caron	D15/20
3,650,185	A	*	3/1972	Takata	404/121
3,910,711	A	*	10/1975	Moorhead	404/89
D396,727	S	*	8/1998	Geier et al.	D15/20
D454,141	S	*	3/2002	Greir et al.	D15/20

* cited by examiner

Primary Examiner—Mitchell Siegel

(74) *Attorney, Agent, or Firm*—Boyle Fredrickson Newholm Stein & Gratz S.C.

(57) **CLAIM**

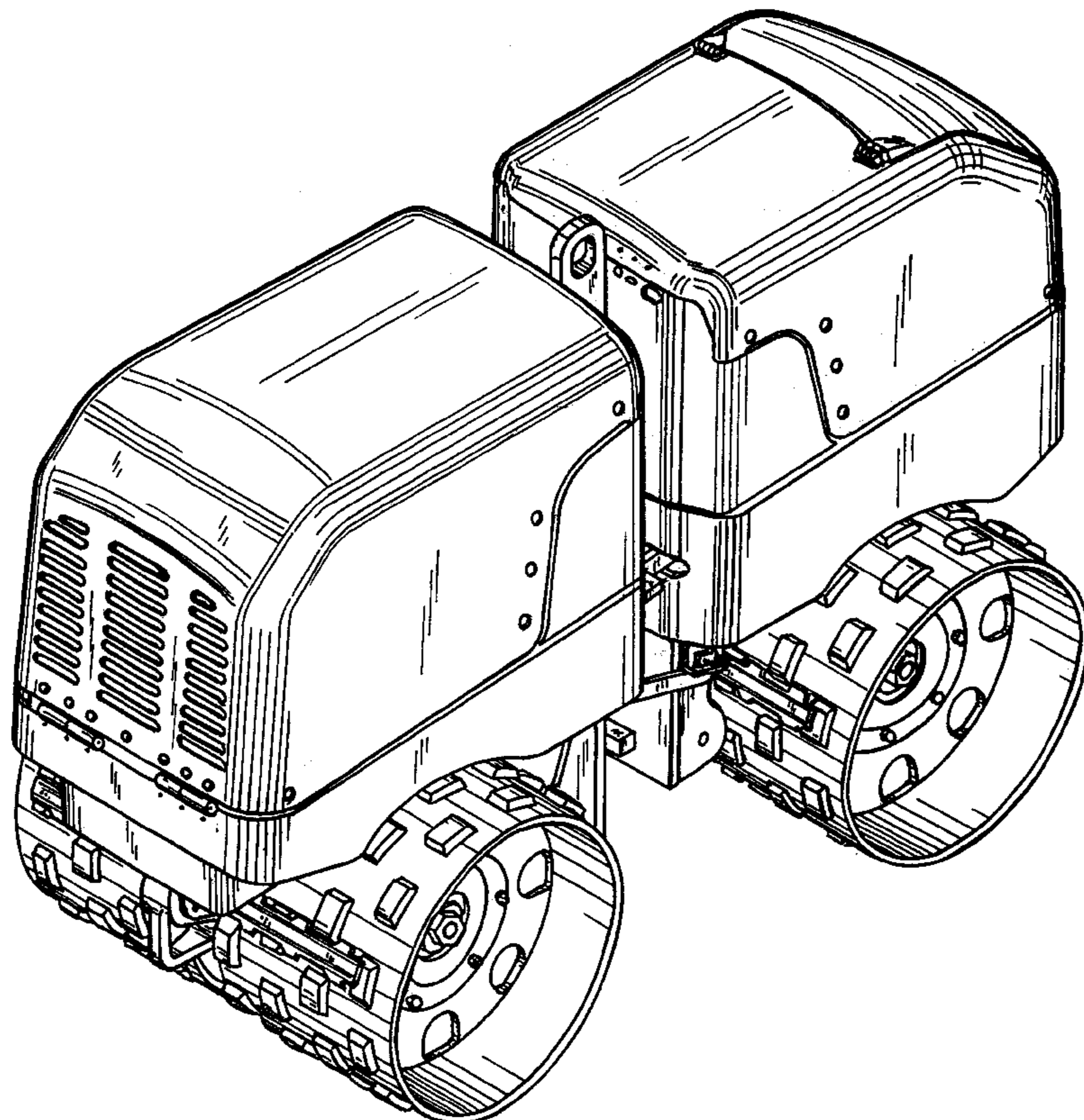
The ornamental design for a vibratory trench roller, as shown and described.

DESCRIPTION

This application claims the benefit under 35 USC §120 of the filing date of presently co-pending U.S. Design patent application Ser. No. 29/134,073 (the '073 application), filed in the U.S. Patent Office on Dec. 13, 2000 and naming the same inventors named in this application. Applicant makes no representation as to whether this application changes the shape or configuration of the design disclosed in the '073 application.

FIG. 1 is a perspective view of a vibratory trench roller incorporating our new design, viewed from in front of, above, and from the left side of the vibratory trench roller; FIG. 2 is a right-side elevation view thereof; FIG. 3 is a left-side elevation view thereof; FIG. 4 is a front elevation view thereof; FIG. 5 is a rear elevation view thereof; FIG. 6 is a top plan view thereof; and, FIG. 7 is a bottom plan view thereof.

1 Claim, 6 Drawing Sheets



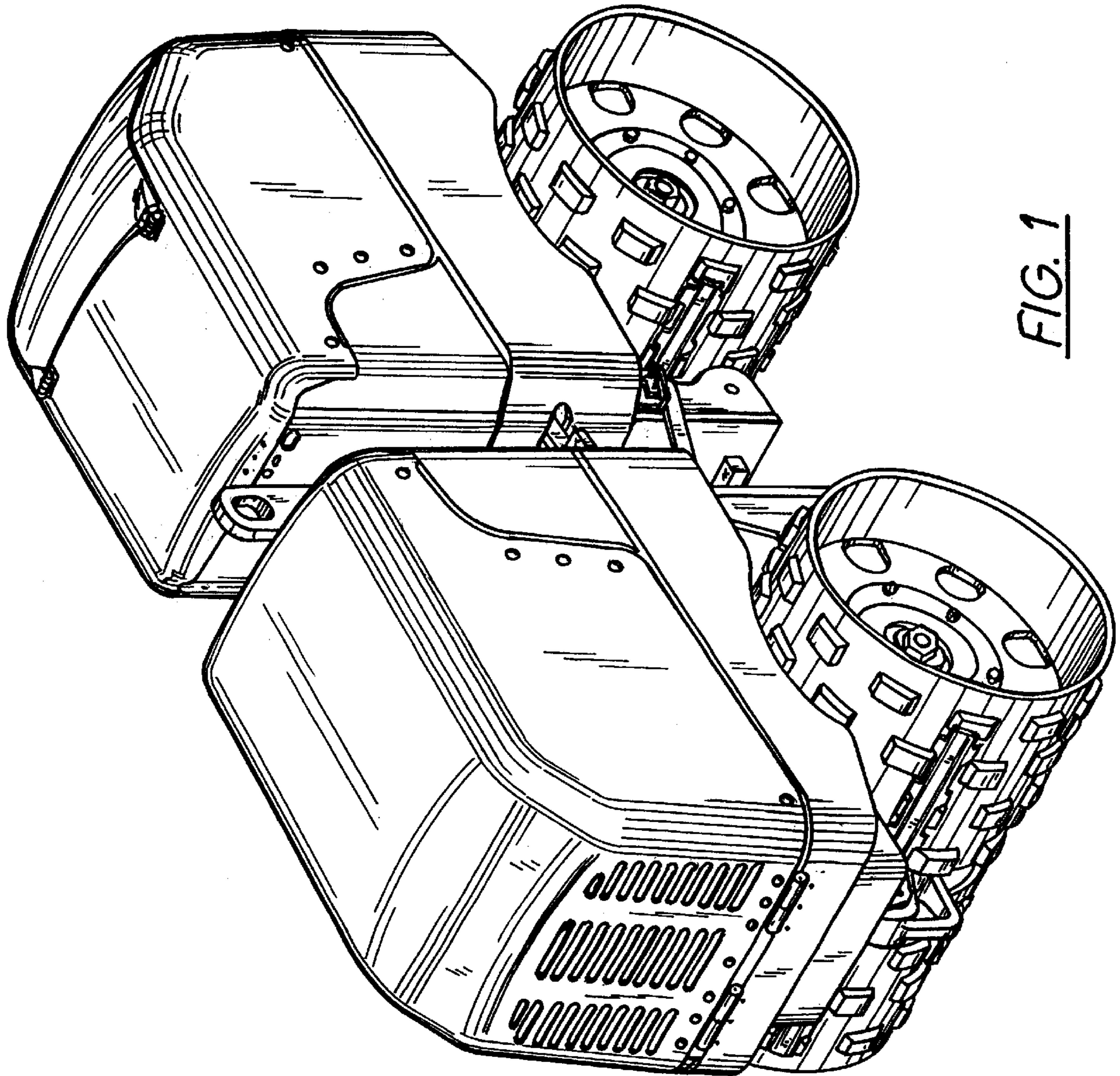


FIG. 1

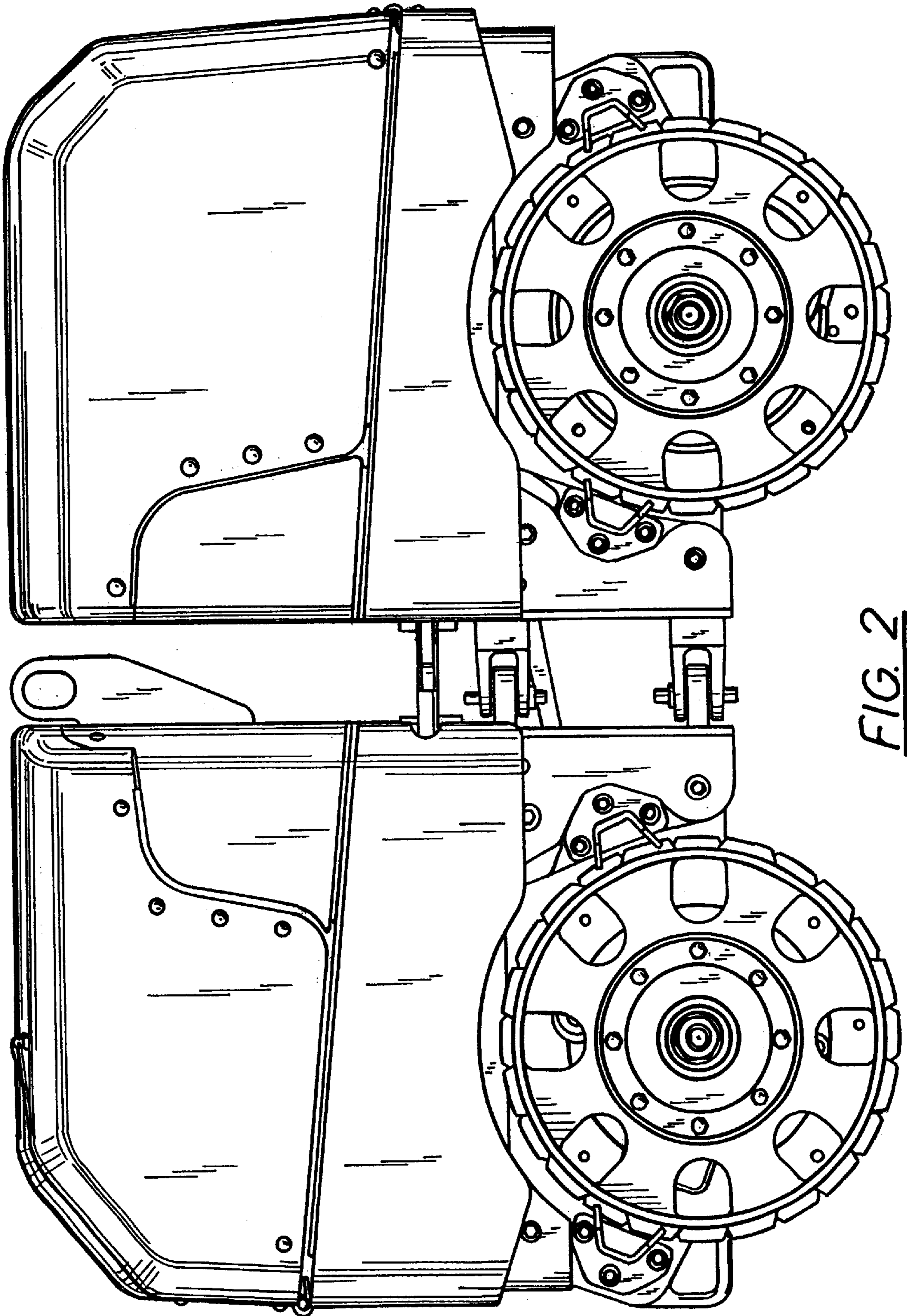


FIG. 2

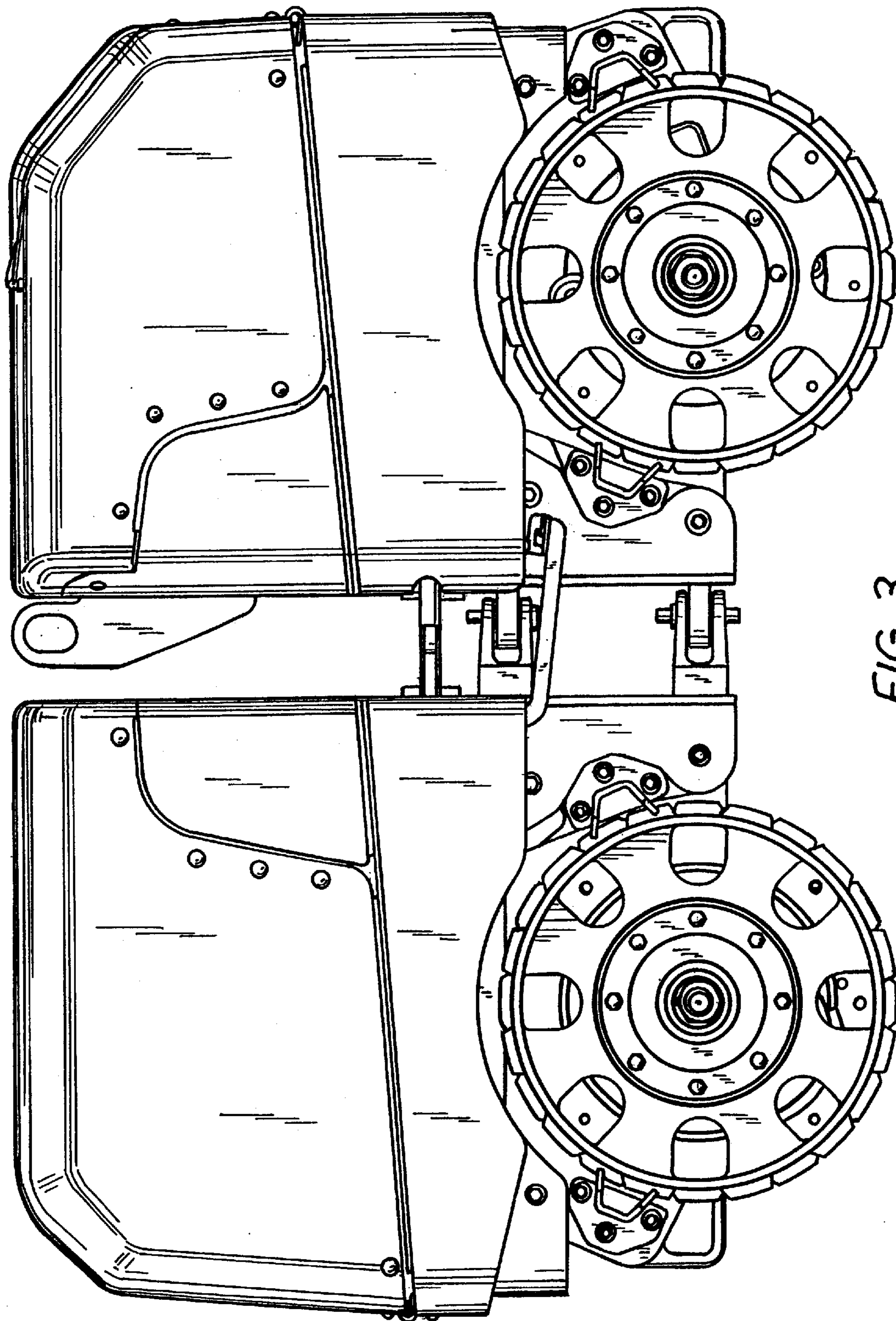


FIG. 3

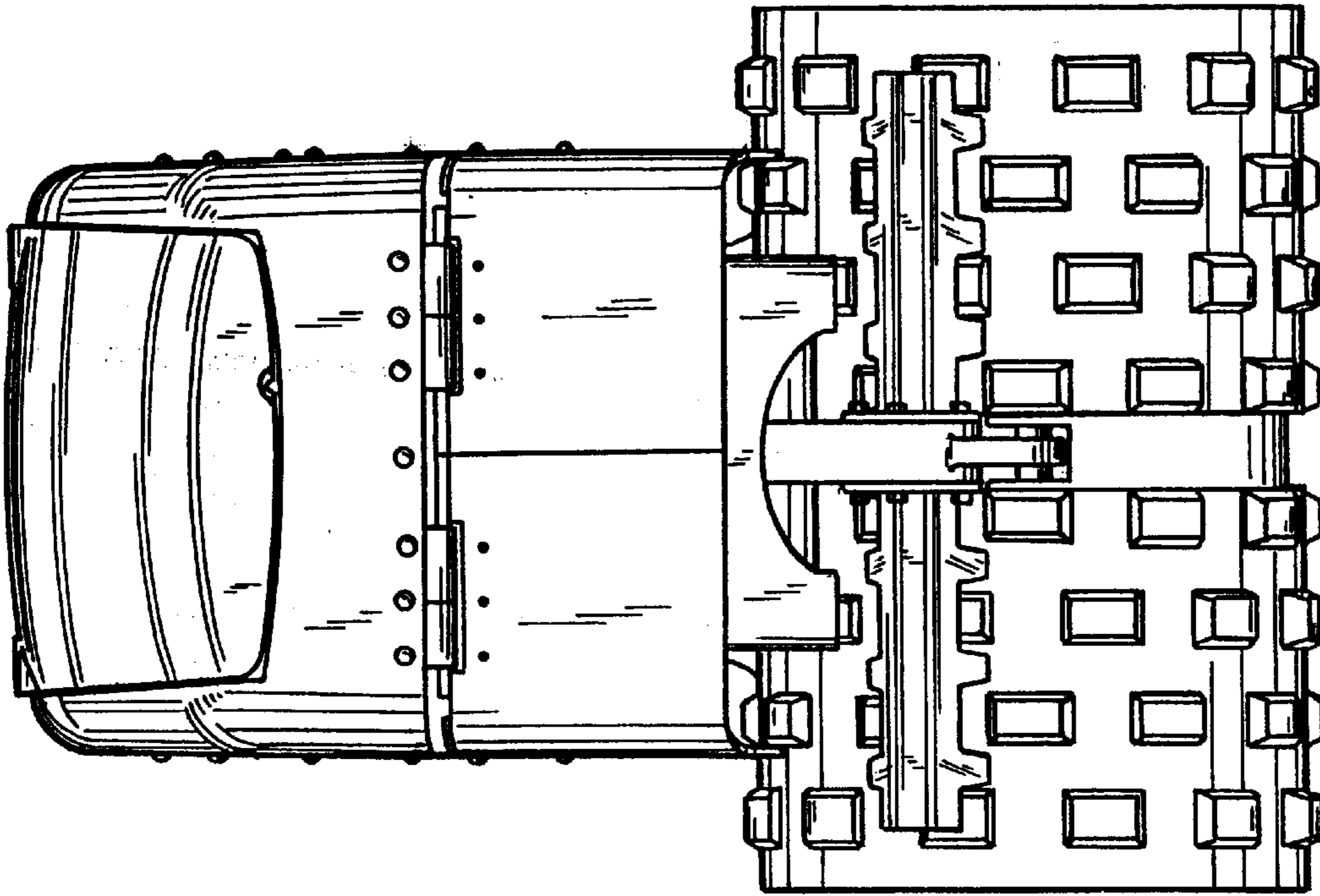


FIG. 5

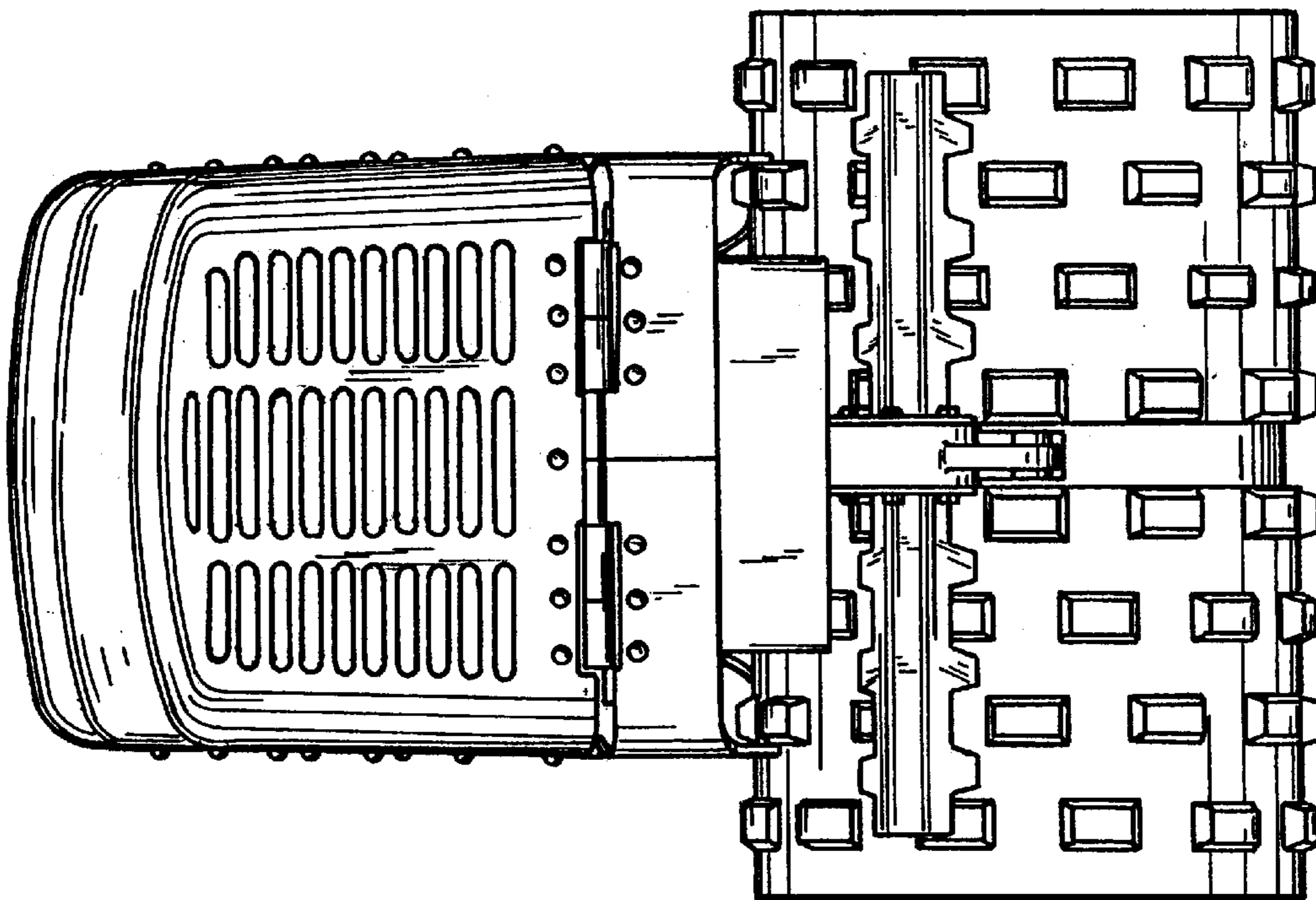


FIG. 4

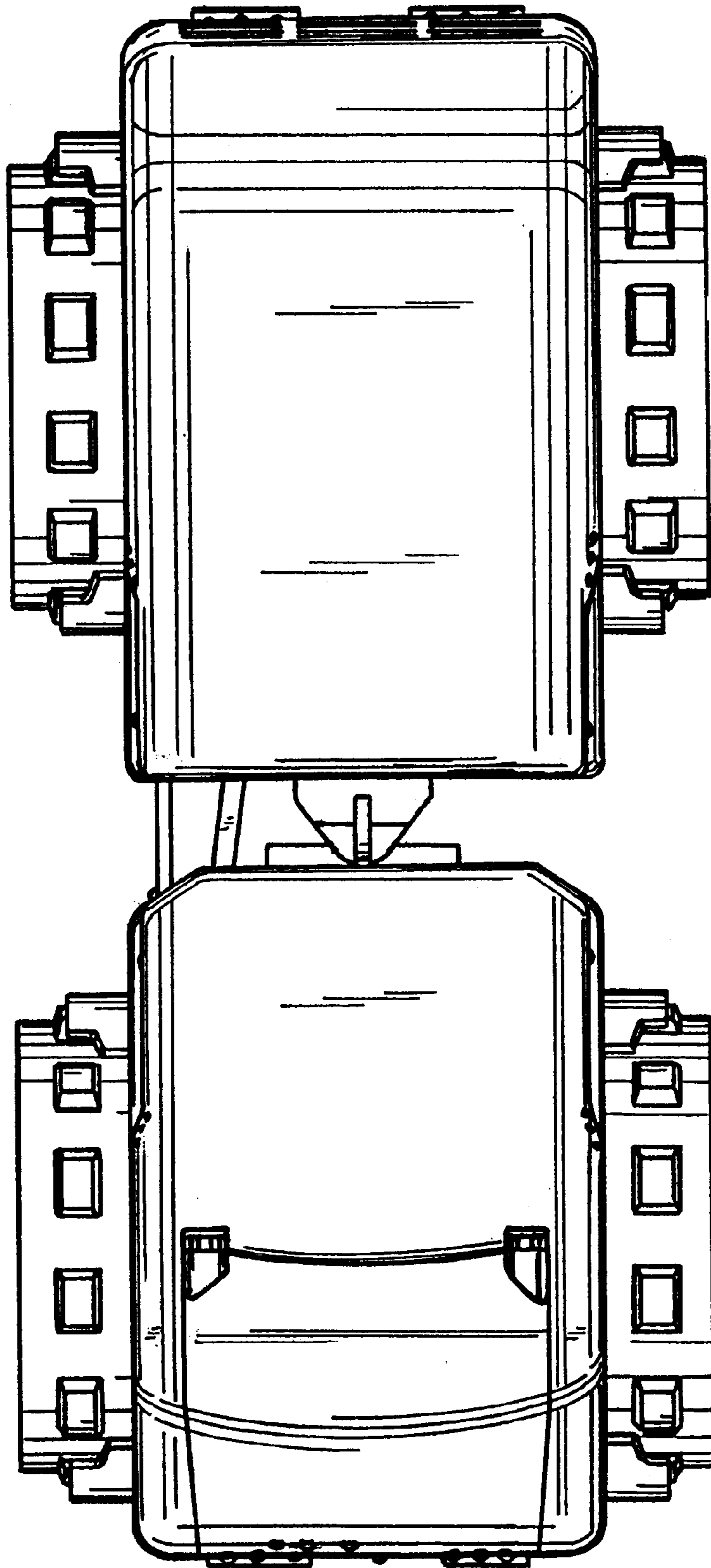


FIG. 6

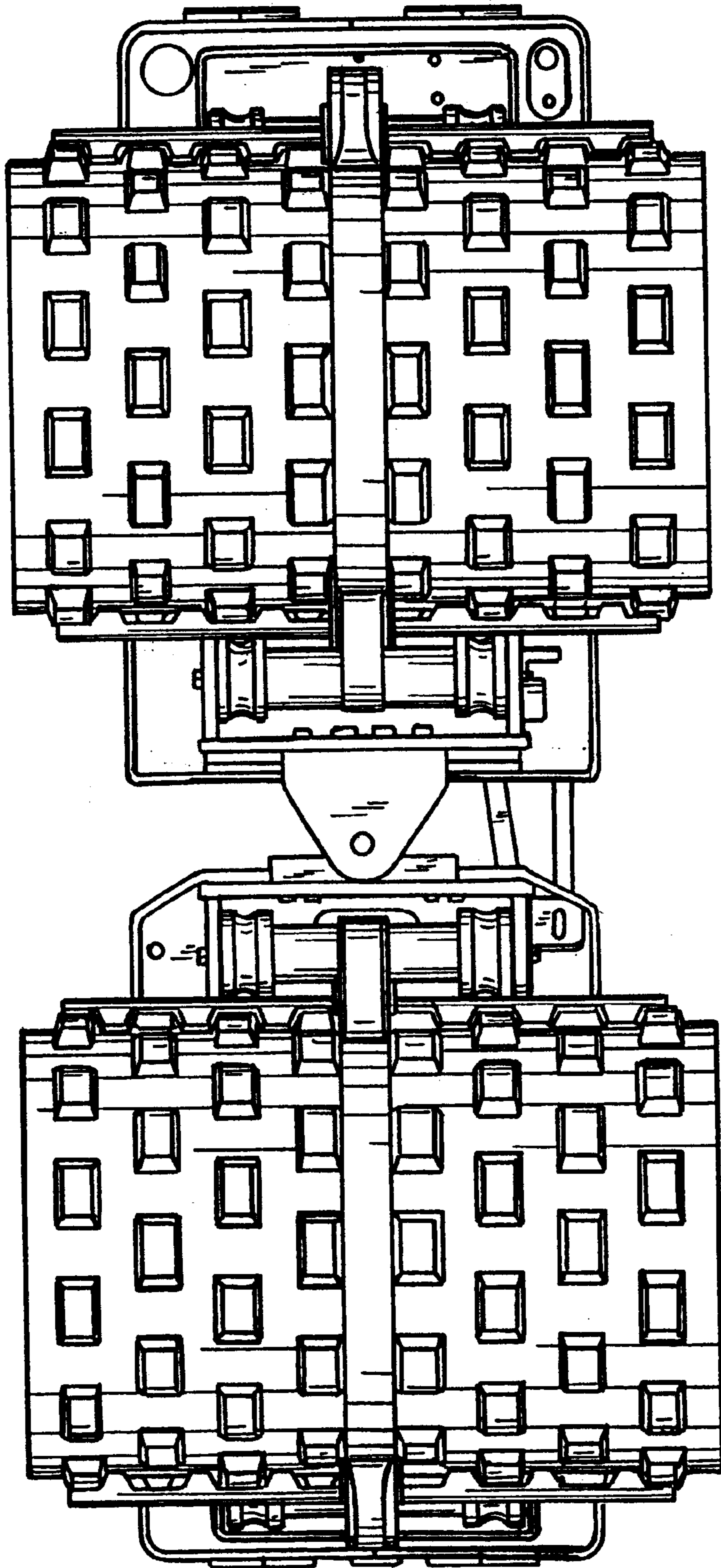


FIG. 7