



US00D461196S

(12) **United States Design Patent**
Buck

(10) **Patent No.:** **US D461,196 S**

(45) **Date of Patent:** **** Aug. 6, 2002**

(54) **HAND PORTABLE AIR COMPRESSOR**

(75) **Inventor:** **John E. Buck**, Cockeysville, MD (US)

(73) **Assignee:** **Black & Decker Inc.**, Newark, DE (US)

(**) **Term:** **14 Years**

(21) **Appl. No.:** **29/136,877**

(22) **Filed:** **Feb. 8, 2001**

(51) **LOC (7) Cl.** **15-02**

(52) **U.S. Cl.** **D15/9**

(58) **Field of Search** D15/7-9; 417/234,
417/235, 360, 415; D26/38; 248/645

(56) **References Cited**

U.S. PATENT DOCUMENTS

2,434,675 A	1/1948	Simpson	
D170,330 S	9/1953	Miller	
D273,493 S	4/1984	Vitaloni	
D273,789 S	5/1984	Davis	
D273,958 S	5/1984	Mariol	
D275,291 S	8/1984	Dunlap	
D293,447 S	12/1987	Hefling	
D293,682 S	1/1988	Liou	
D296,104 S	6/1988	Hung	
D301,247 S	5/1989	Prevosto	
D327,891 S	7/1992	Morgan	
D328,465 S	* 8/1992	Schwarz et al. D15/9
D352,295 S	11/1994	Morgan	
D382,883 S	8/1997	Breitzman et al.	
D403,330 S	12/1998	Williams	
D403,331 S	12/1998	Williams	

D409,627 S	5/1999	Wang	
D440,578 S	* 4/2001	Nolan D15/9
D444,796 S	* 7/2001	Morgan D15/9
D444,797 S	* 7/2001	Davis et al. D15/9

FOREIGN PATENT DOCUMENTS

FR	1140265	7/1957
FR	1263641	5/1961

* cited by examiner

Primary Examiner—Ralf Seifert

(74) *Attorney, Agent, or Firm*—Michael P. Leary; Bruce S. Shapiro

(57) **CLAIM**

The ornamental design for a hand portable air compressor, as shown and described.

DESCRIPTION

FIG. 1 is a front perspective view of a hand portable air compressor showing my new design.

FIG. 2 is a front elevational view thereof.

FIG. 3 is a rear elevational view thereof.

FIG. 4 is a right side elevational view thereof.

FIG. 5 is a left side elevational view thereof.

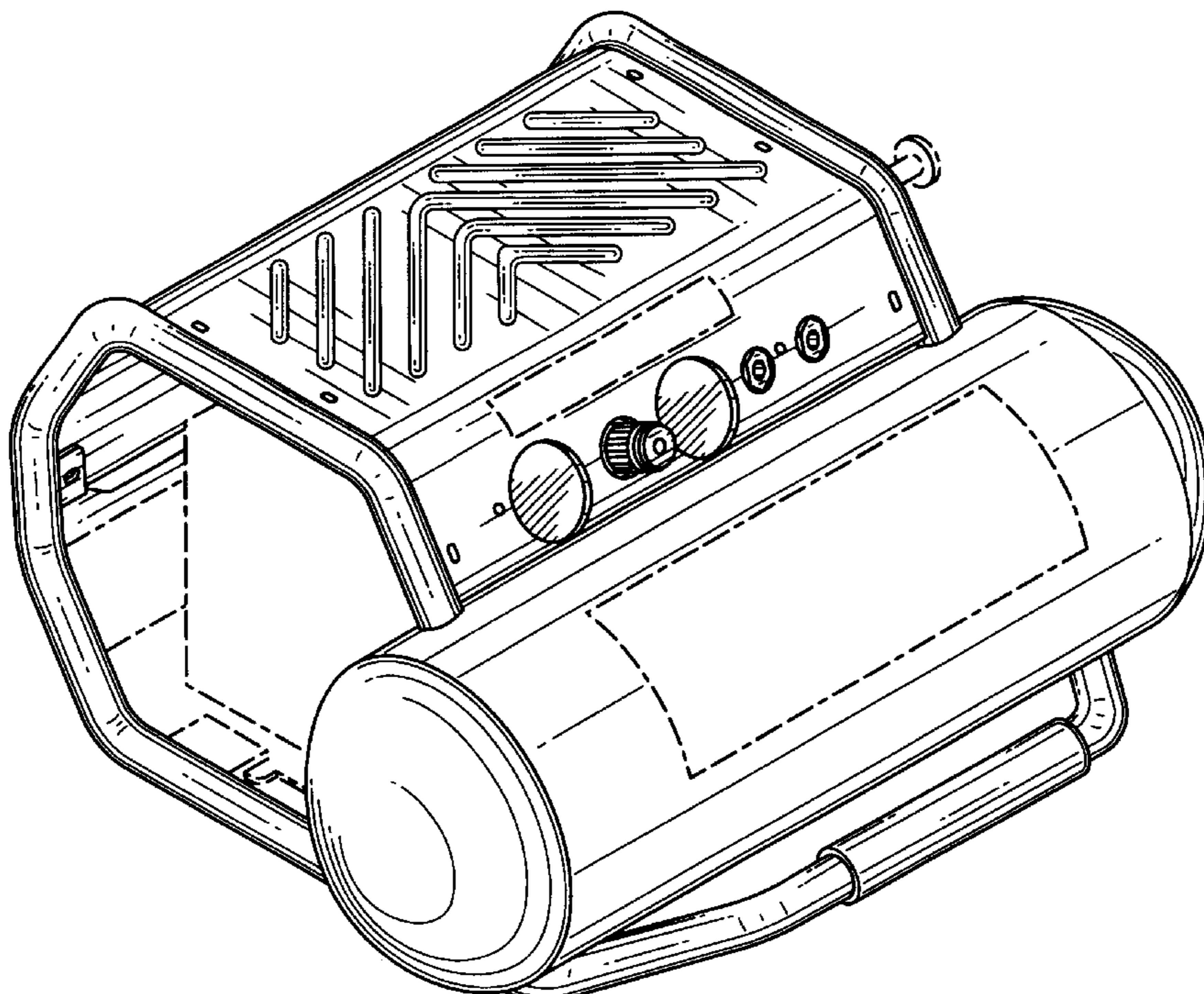
FIG. 6 is a top plan view thereof; and,

FIG. 7 is a bottom plan view thereof.

The area within the broken line showing of boundary lines, on the tank and above the controls in FIGS. 1, 2 and 6, is not claimed and forms no part of the claimed design.

It being understood that the broken lines are for illustrative purposes only.

1 Claim, 7 Drawing Sheets



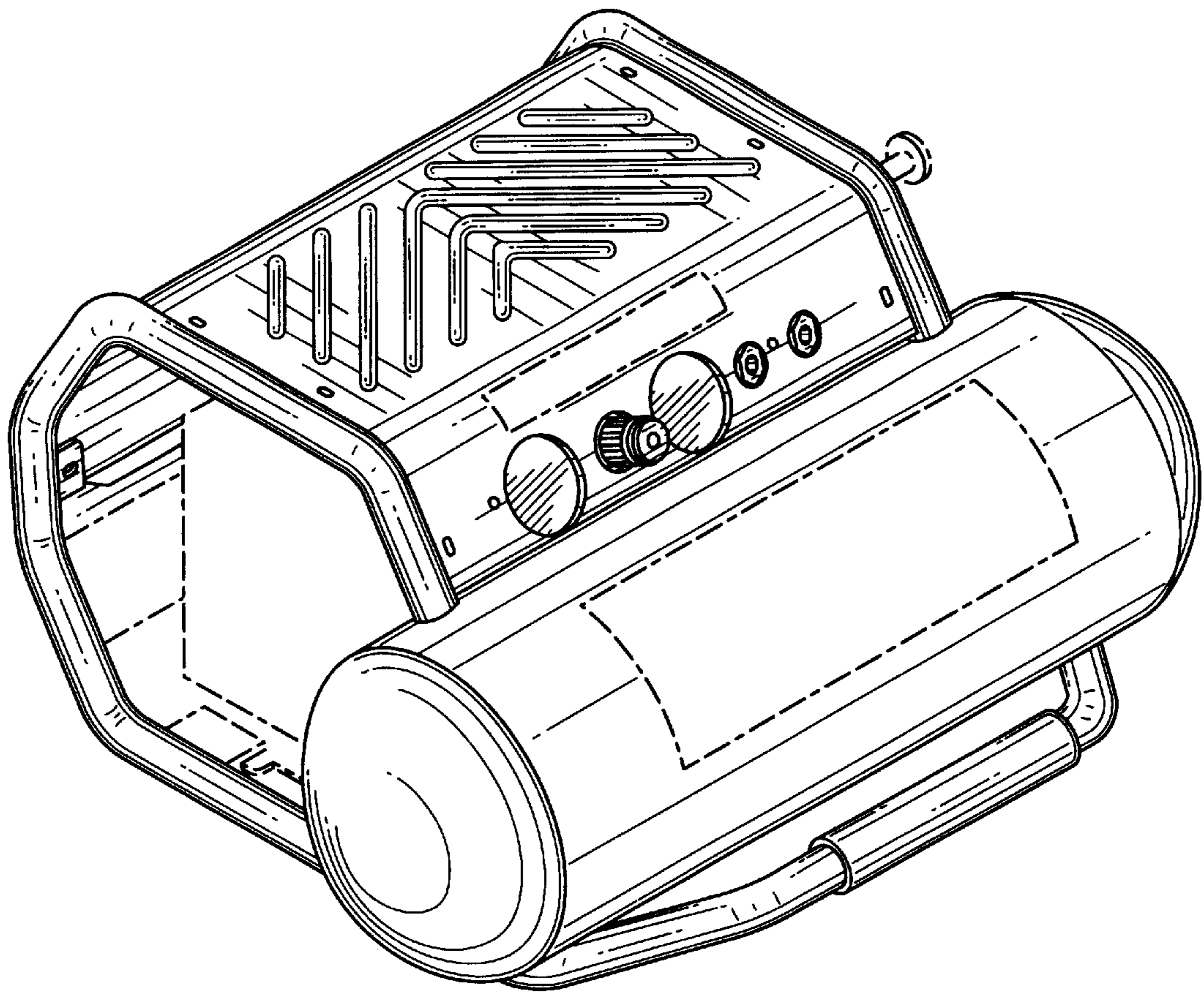


FIG. 1

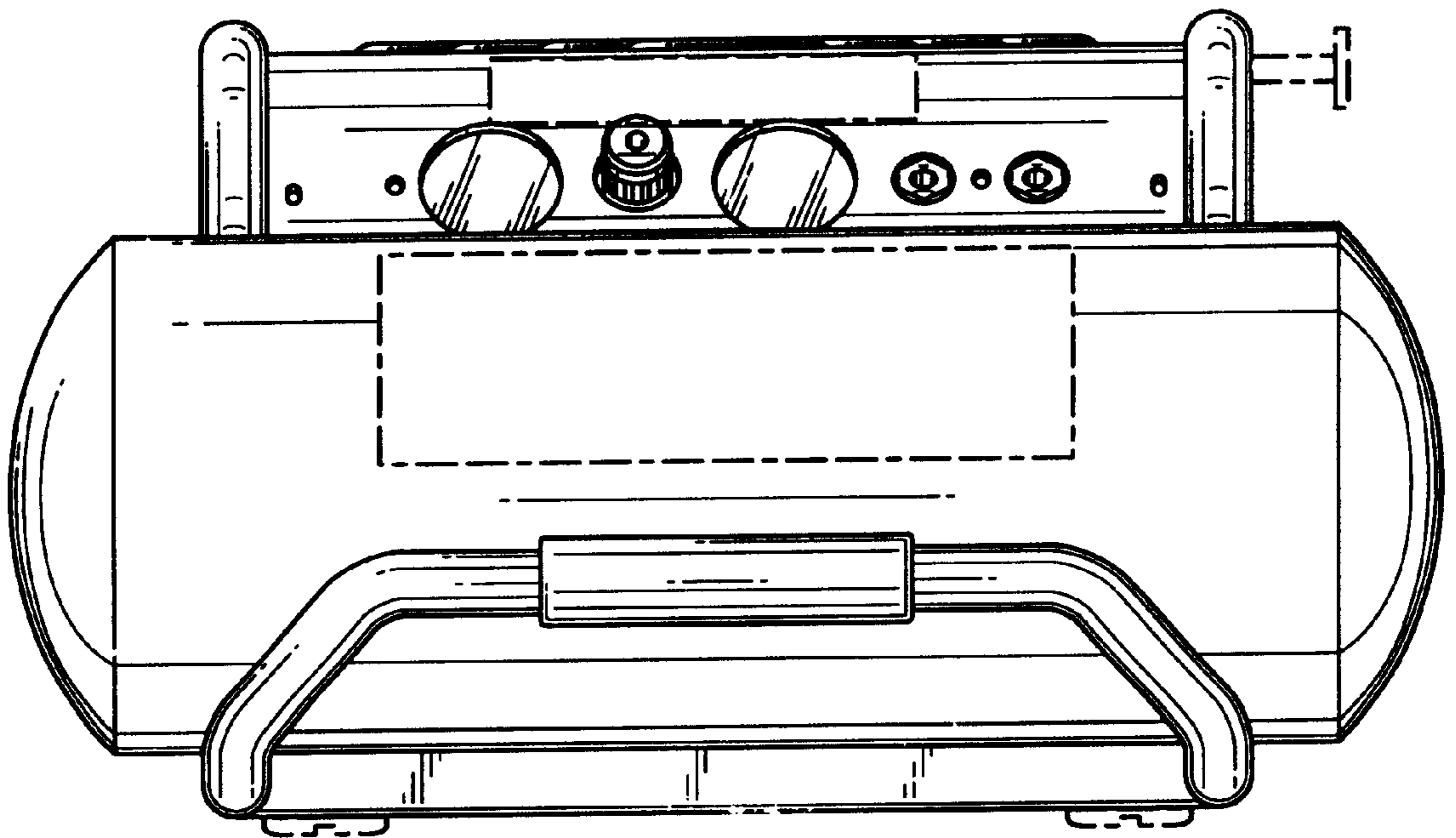


FIG. 2

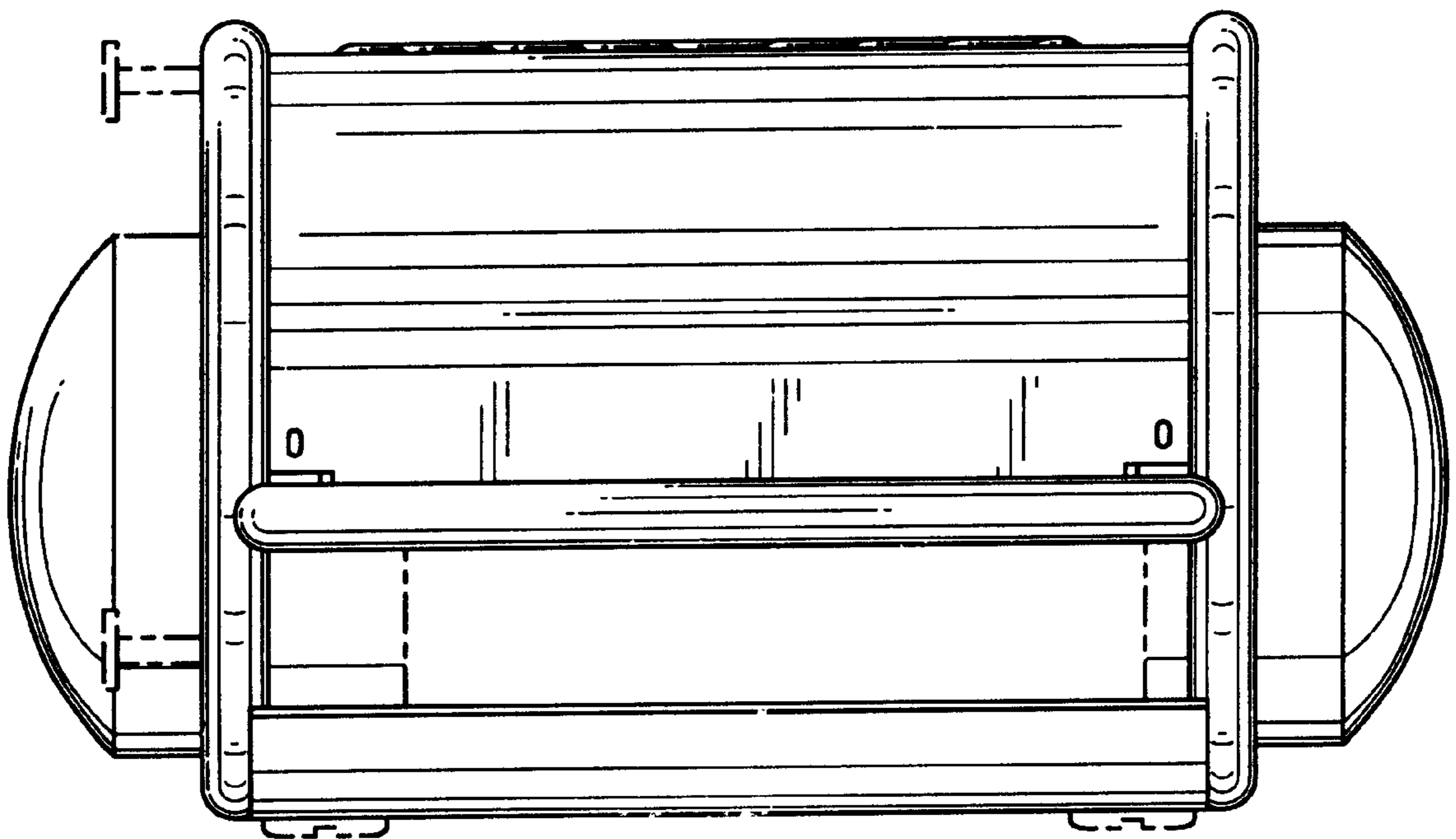


FIG. 3

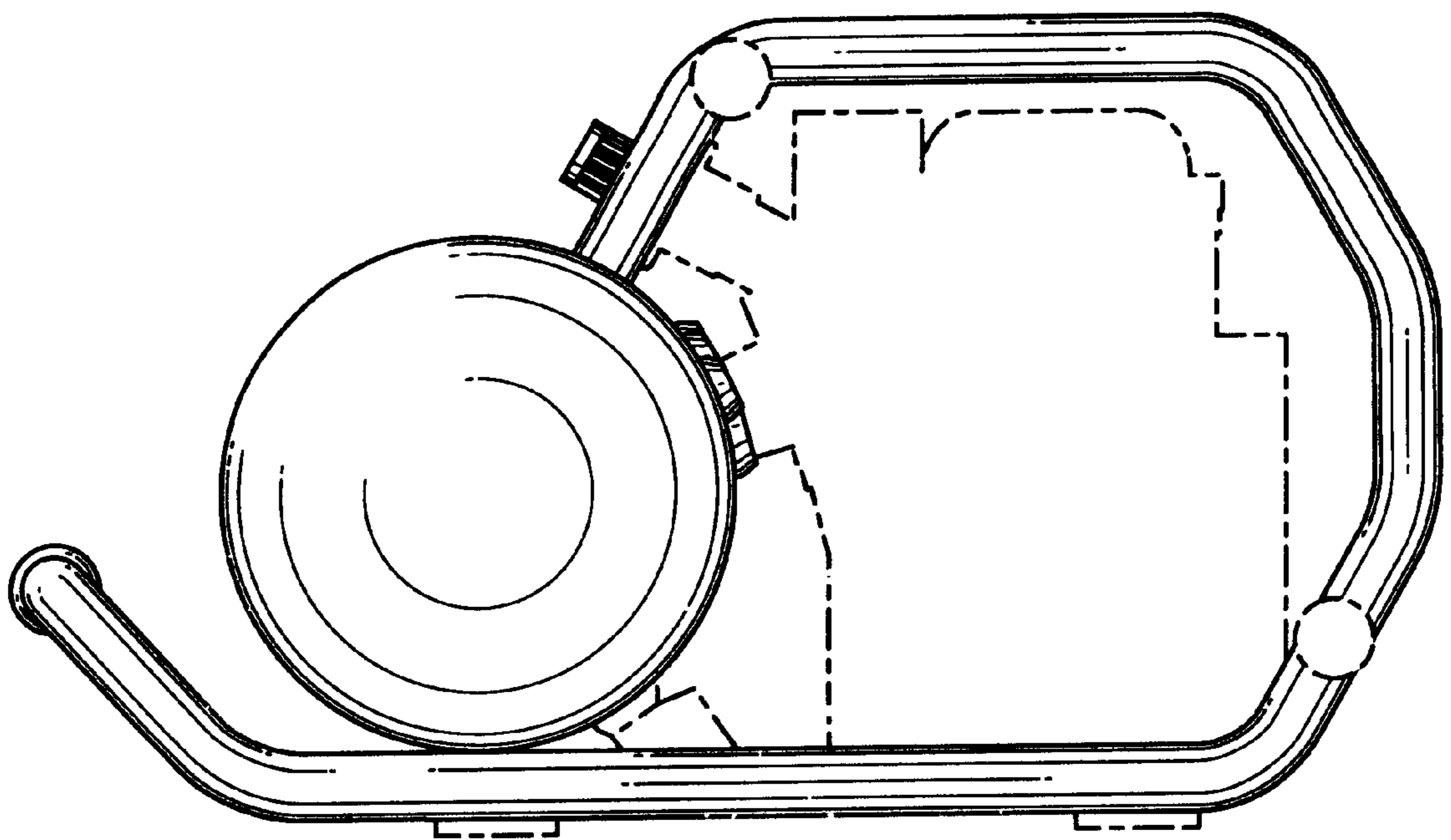


FIG. 4

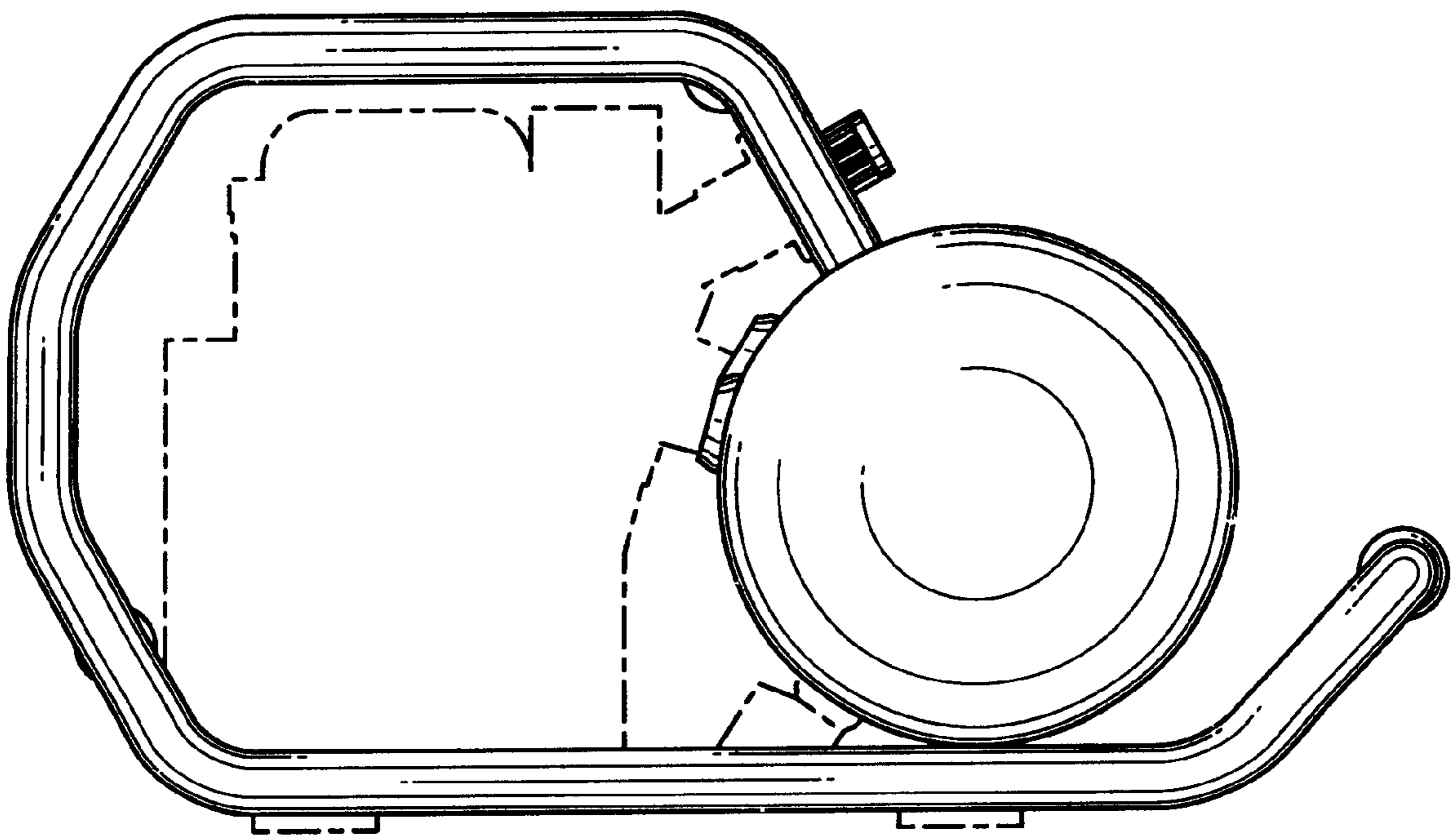


FIG. 5

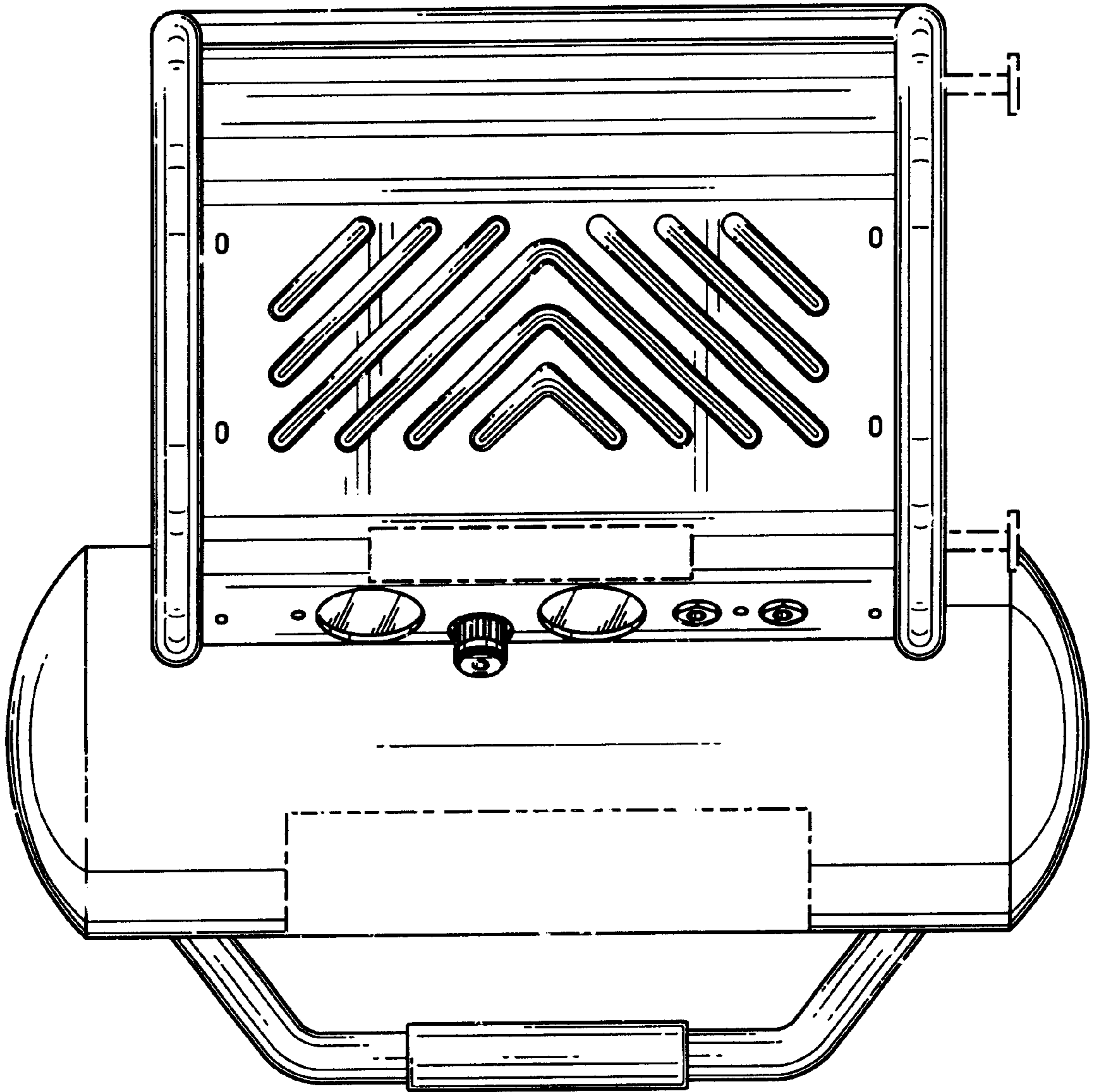


FIG. 6

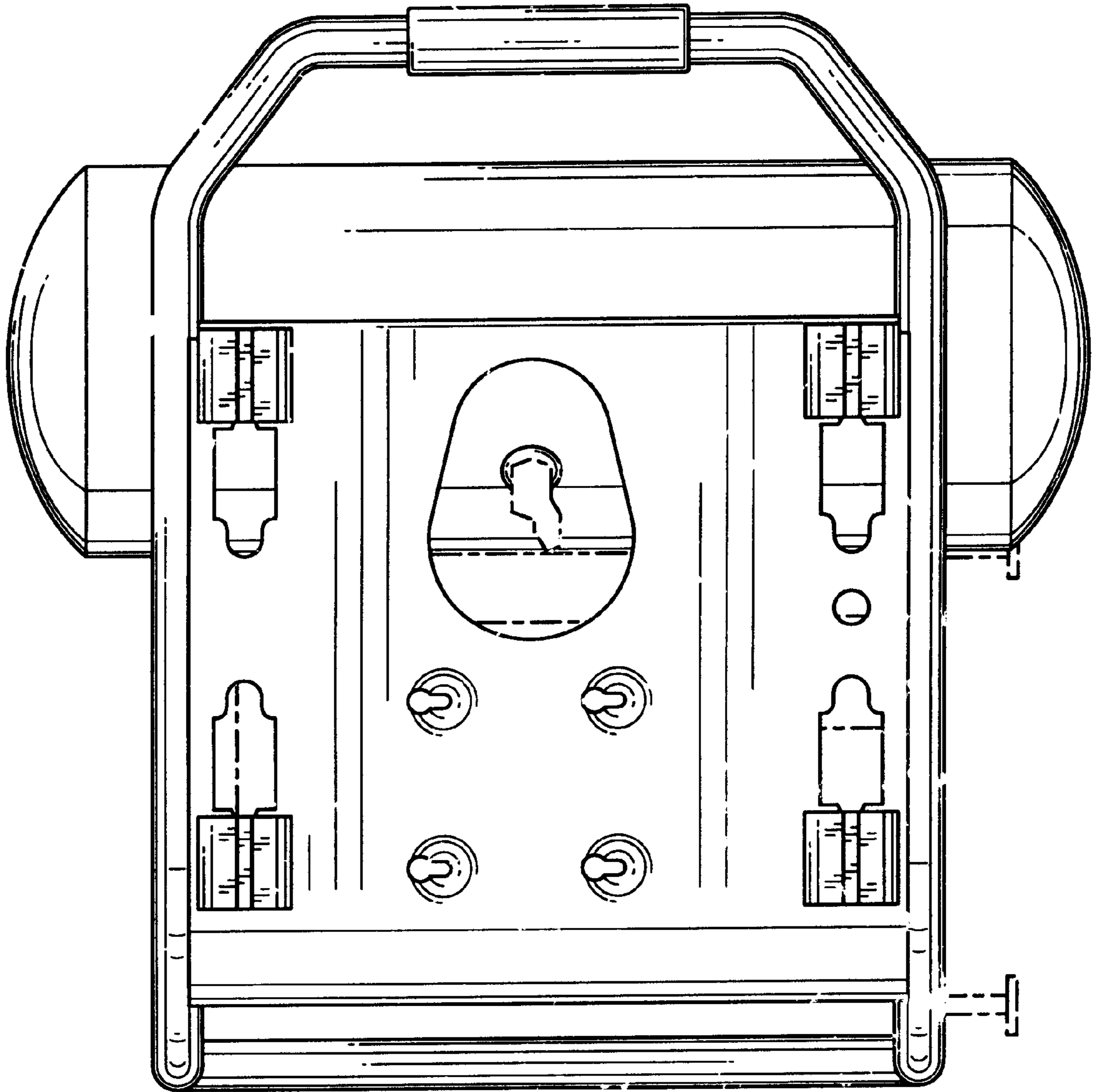


FIG. 7