



US00D461189S

(12) **United States Design Patent**
Bontly et al.

(10) **Patent No.: US D461,189 S**

(45) **Date of Patent: ** Aug. 6, 2002**

(54) **HEAD FOR HANDHELD DATA READER**

(75) Inventors: **Craig H. Bontly; Christopher F. Sautter**, both of Eugene; **Paul T. Skaggs**, Springfield, all of OR (US)

(73) Assignee: **PSC Scanning, Inc.**, Eugene, OR (US)

(**) Term: **14 Years**

(21) Appl. No.: **29/146,663**

(22) Filed: **Aug. 13, 2001**

Related U.S. Application Data

(62) Division of application No. 29/105,494, filed on May 25, 1999, now Pat. No. Des. 446,524.

(51) **LOC (7) Cl.** **14-02**

(52) **U.S. Cl.** **D14/426**

(58) **Field of Search** D14/420-429,
D14/453; 235/375, 378, 384, 454, 462.15,
472.02, 486; 382/312-315, 318, 319, 321;
250/203.1; D26/37, 45, 50

(56) **References Cited**

U.S. PATENT DOCUMENTS

D305,885 S	2/1990	Barkan et al.	D14/116
D344,501 S	2/1994	Gong et al.	D14/116
D387,752 S	12/1997	Stewart et al.	D14/116
D400,199 S	10/1998	Fitch et al.	D14/116
D414,171 S	9/1999	Swift et al.	D14/116
D446,524 S	8/2001	Bontly et al.	D14/426

OTHER PUBLICATIONS

- PSC Inc.: "QuickScan 6000 Plus™ Handheld Scanner" brochure (Mar. 1999).
- PSC Inc.: "SP400 Handheld Scanner" brochure (Feb. 1999).
- PSC Inc.: "5300IP50 Long Range Bar Code Laser Scanner" brochure (Sep. 1999).

Symbol Technologies: "HotShot LS2100 Scanner" data sheet from web site (1999).

Symbol Technologies: "LS 3200 Scanner" data sheet from web site (1999).

Symbol Technologies: "Spark LS 1000 Scanner" data sheet from web site (1999).

Primary Examiner—Kay H. Chin

(74) *Attorney, Agent, or Firm*—Lyon & Lyon LLP

(57) **CLAIM**

The ornamental design for a head for handheld data reader, as shown and described.

DESCRIPTION

FIG. 1 is a left top front perspective of a head for a handheld data reader;

FIG. 2 is a right top rear perspective view thereof;

FIG. 3 is a left side elevation view thereof;

FIG. 4 is a front side elevation view thereof;

FIG. 5 is a top plan view thereof;

FIG. 6 is a rear side elevation view thereof;

FIG. 7 is a bottom plan view thereof;

FIG. 8 is a left top front perspective of a top surface of the head for a handheld data reader as in FIGS. 1-7;

FIG. 9 is a right top rear perspective view thereof;

FIG. 10 is a front side elevation view thereof;

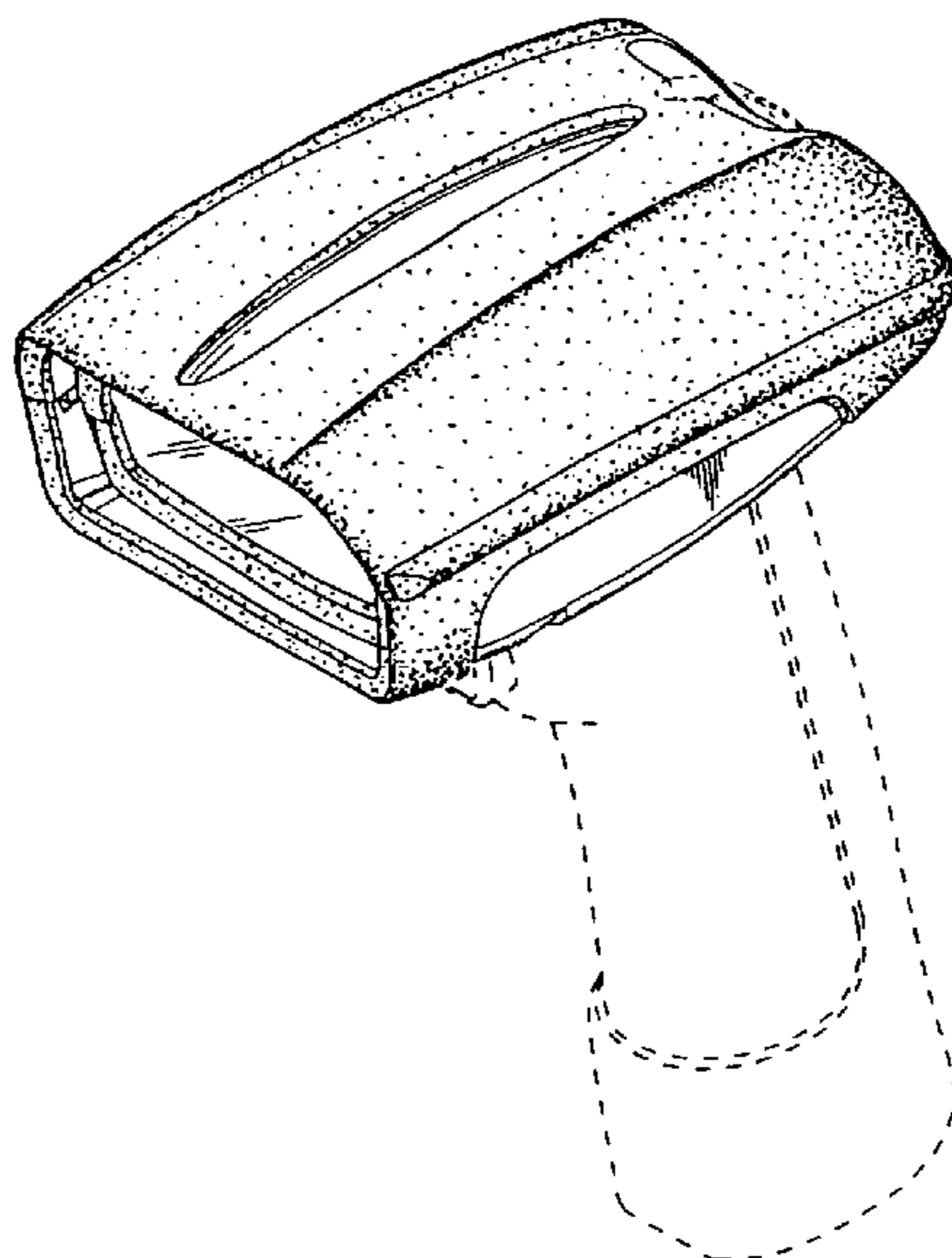
FIG. 11 is a top plan view thereof;

FIG. 12 is a rear side elevation view thereof; and,

FIG. 13 is a partial cross-sectional view of FIG. 11 taken along line 13-13.

The broken line showing in FIGS. 1-13 are for illustrative purposes only and form no part of the claimed design.

1 Claim, 6 Drawing Sheets



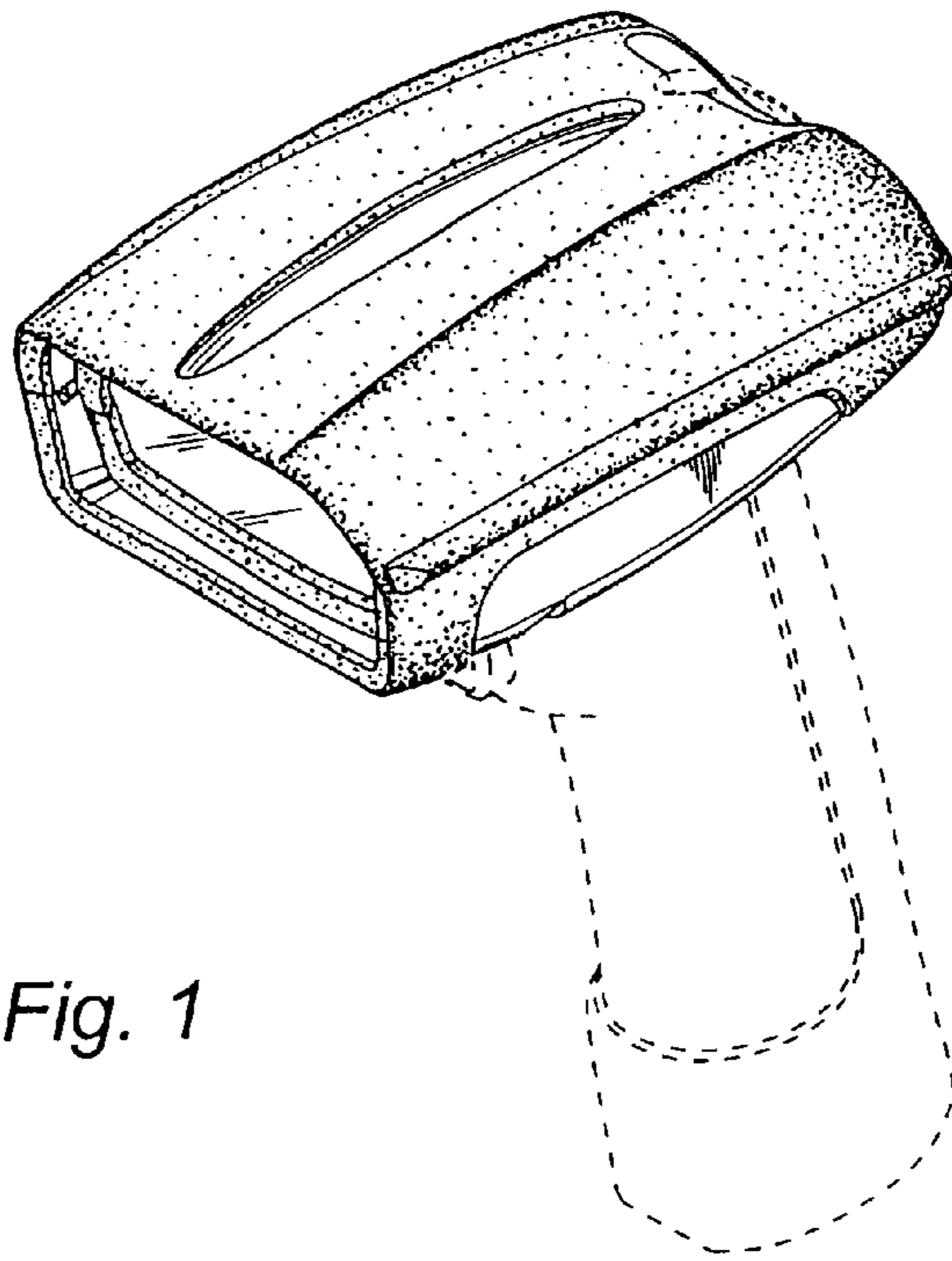


Fig. 1

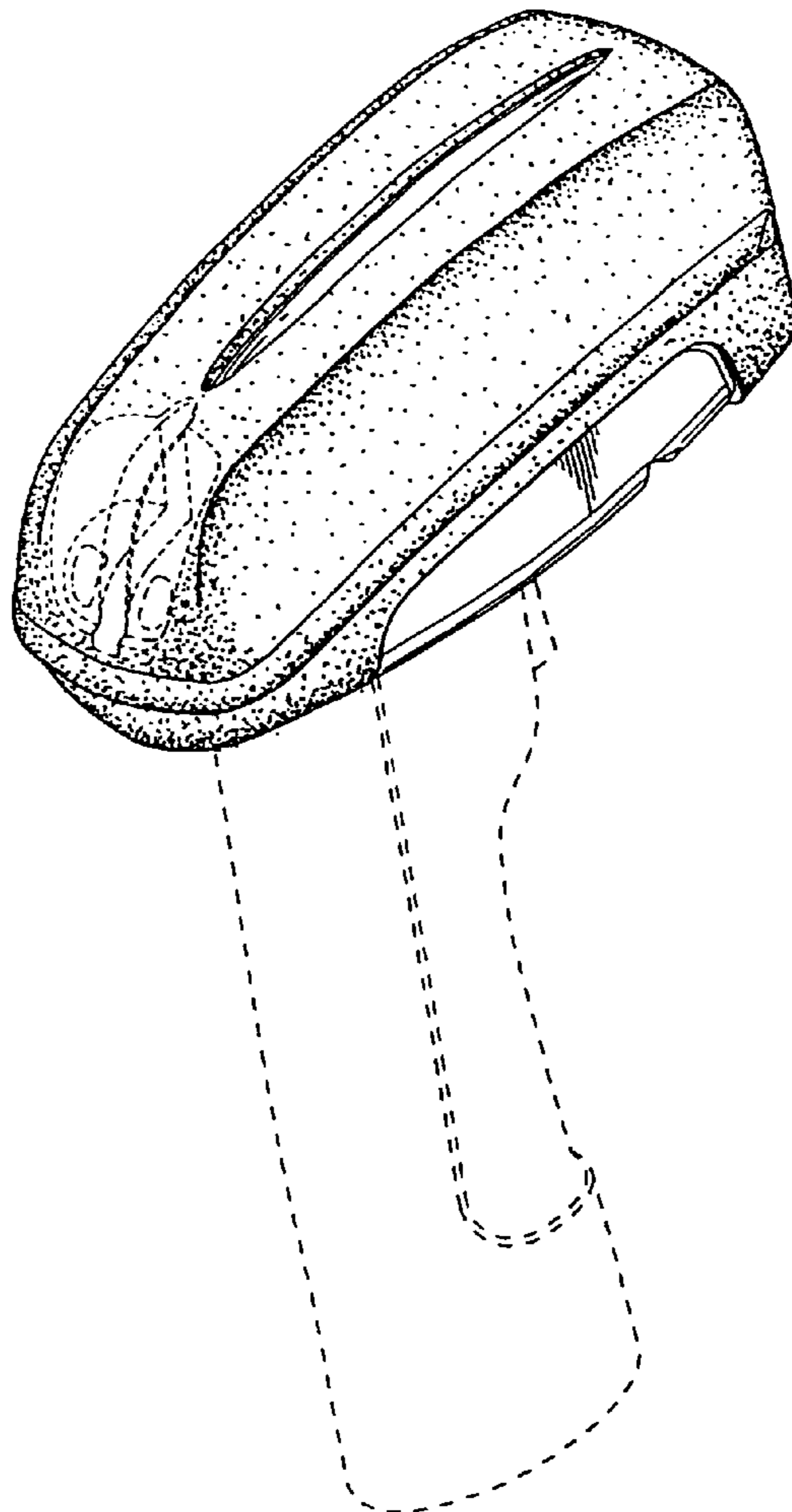


Fig 2.

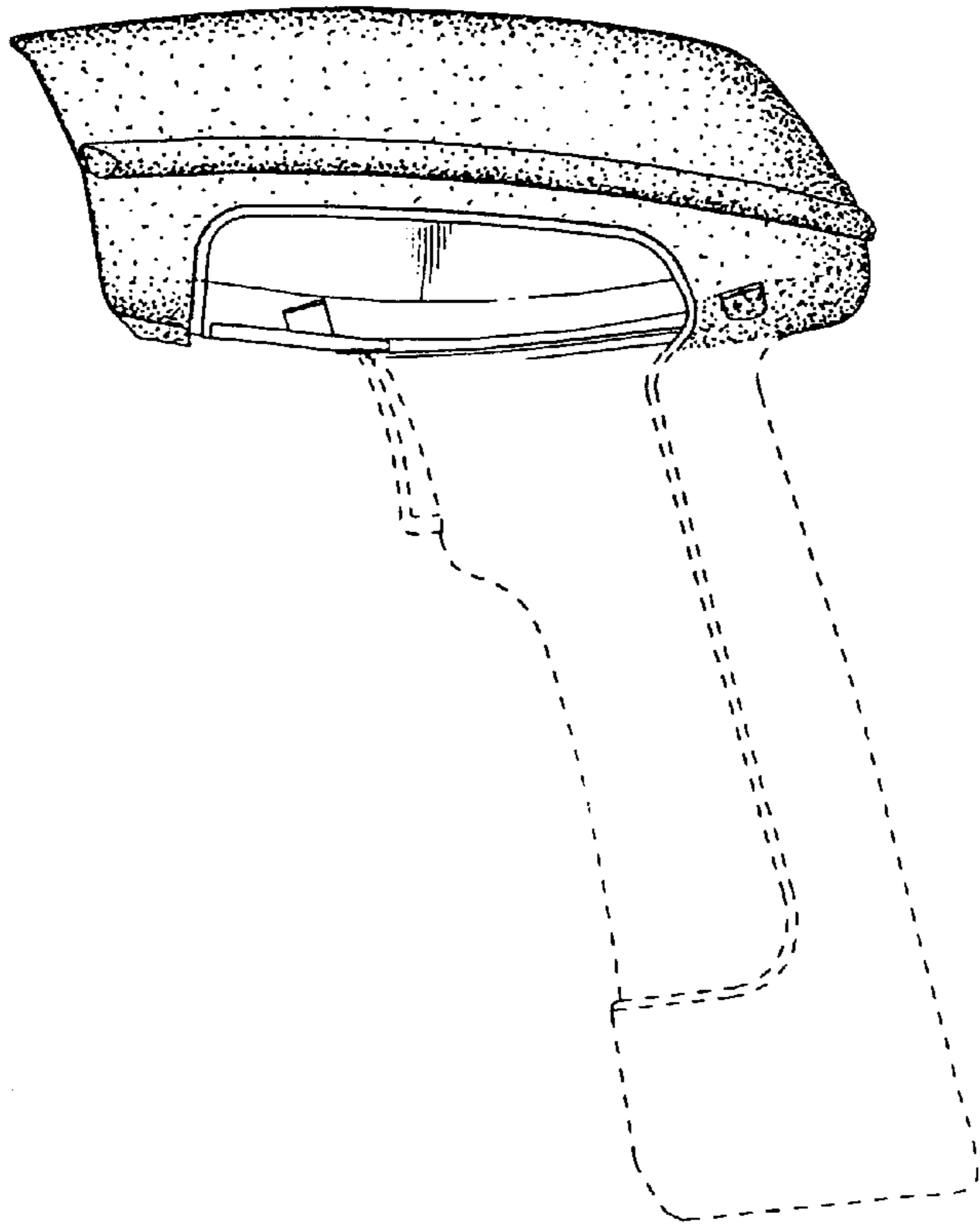


Fig. 3

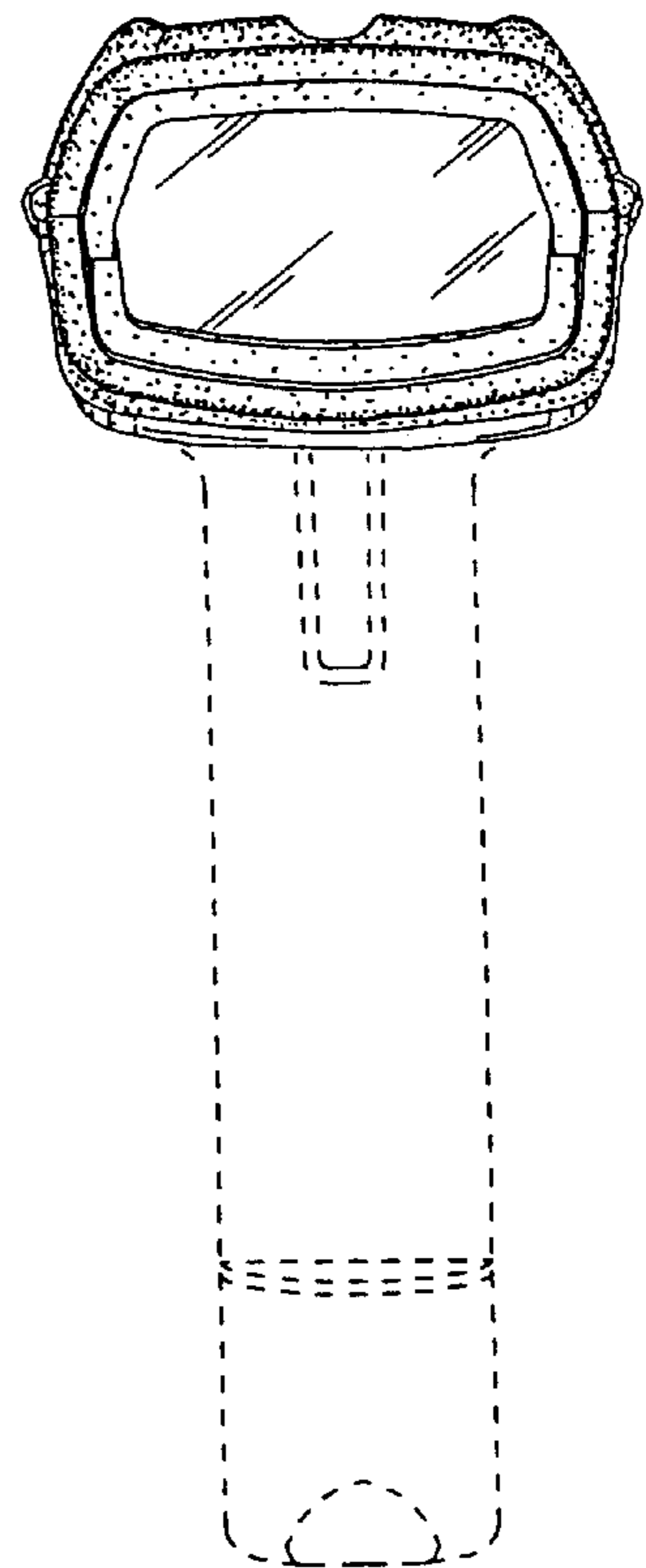


Fig. 4

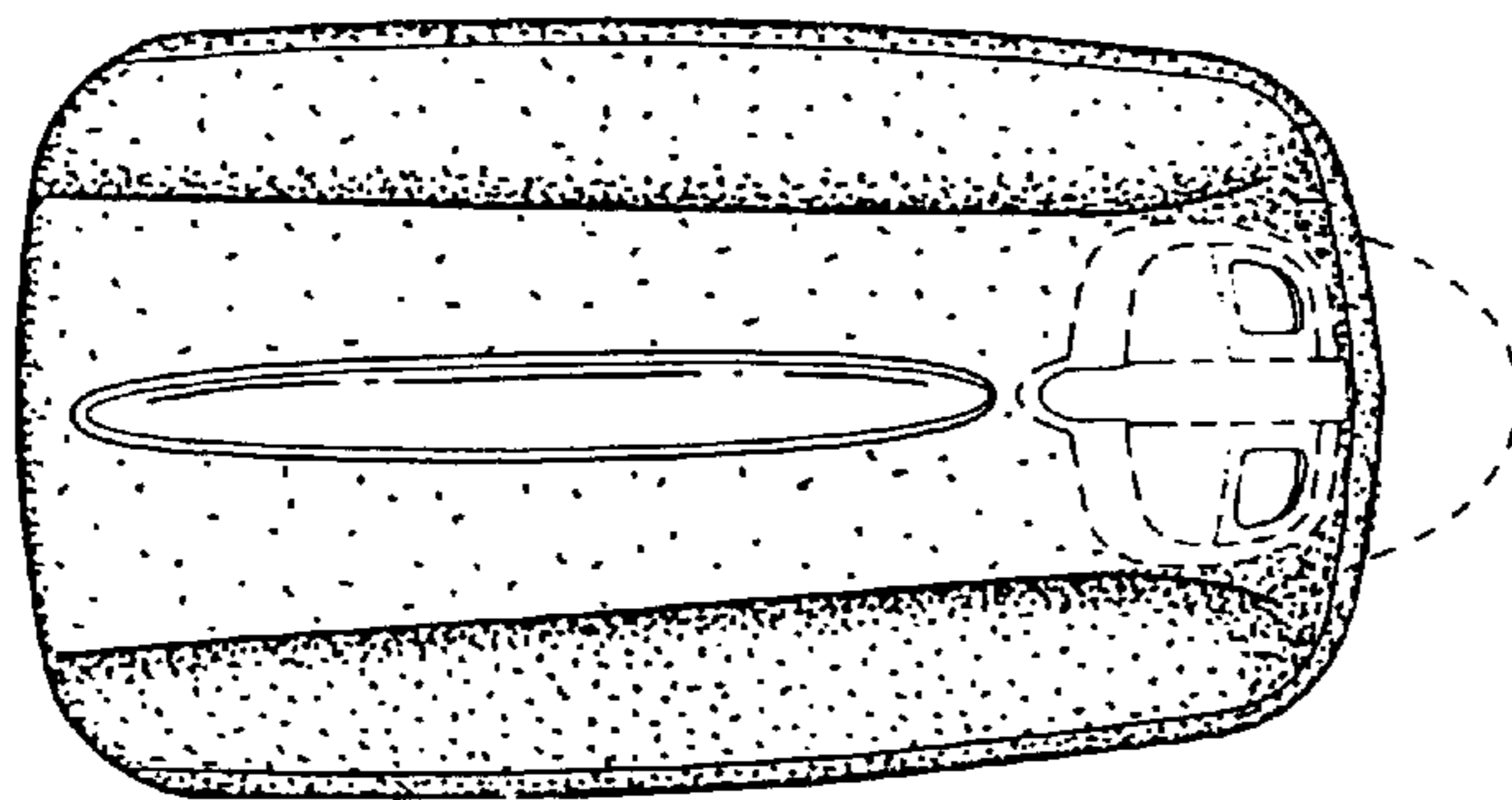


Fig. 5

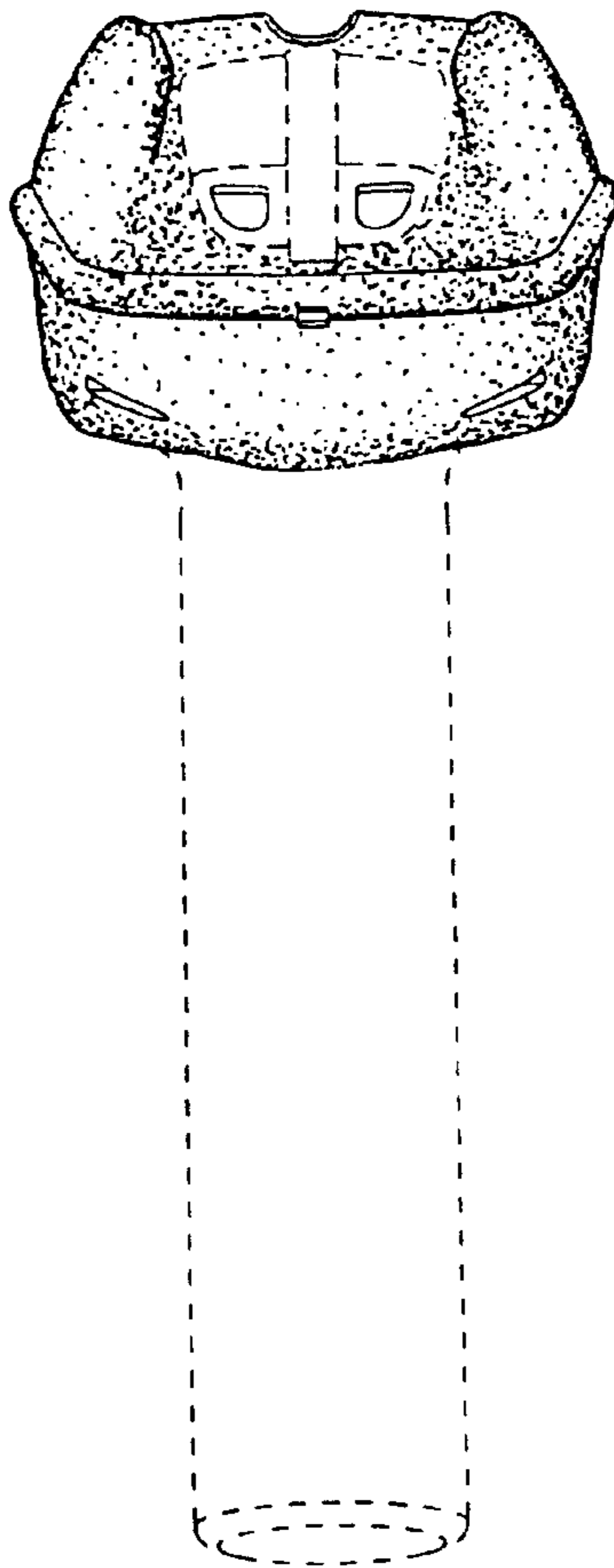


Fig. 6

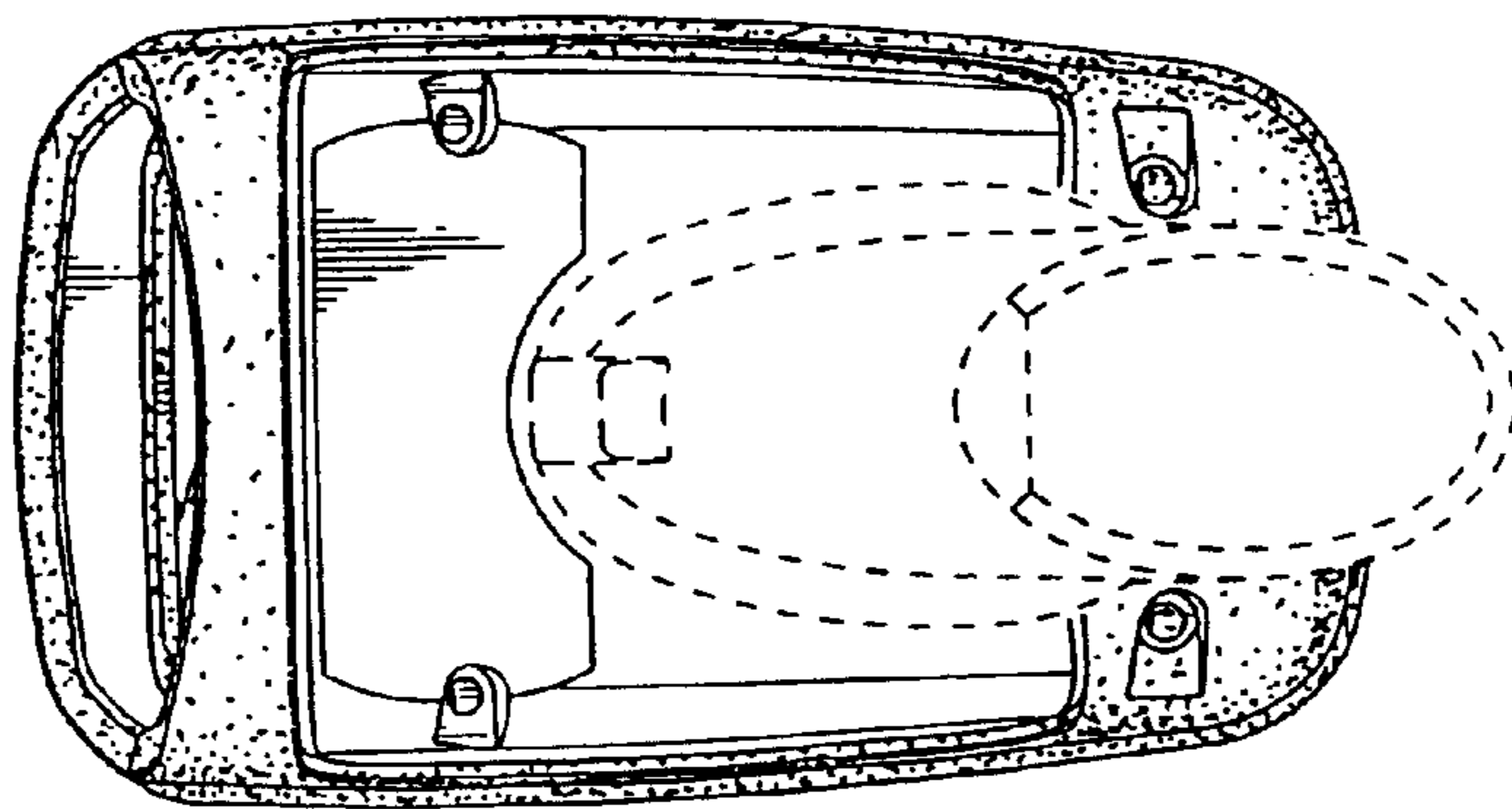


Fig. 7

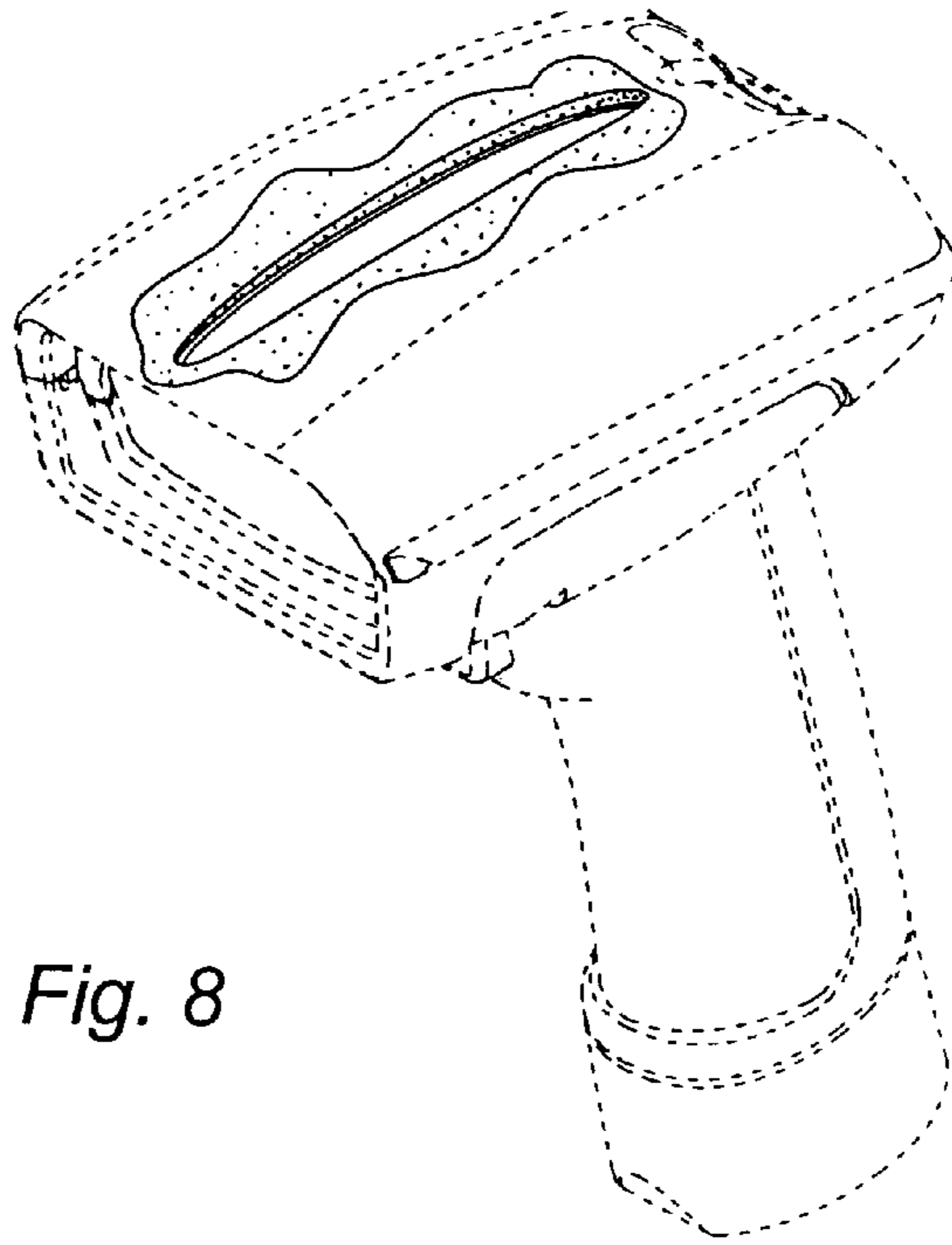


Fig. 8

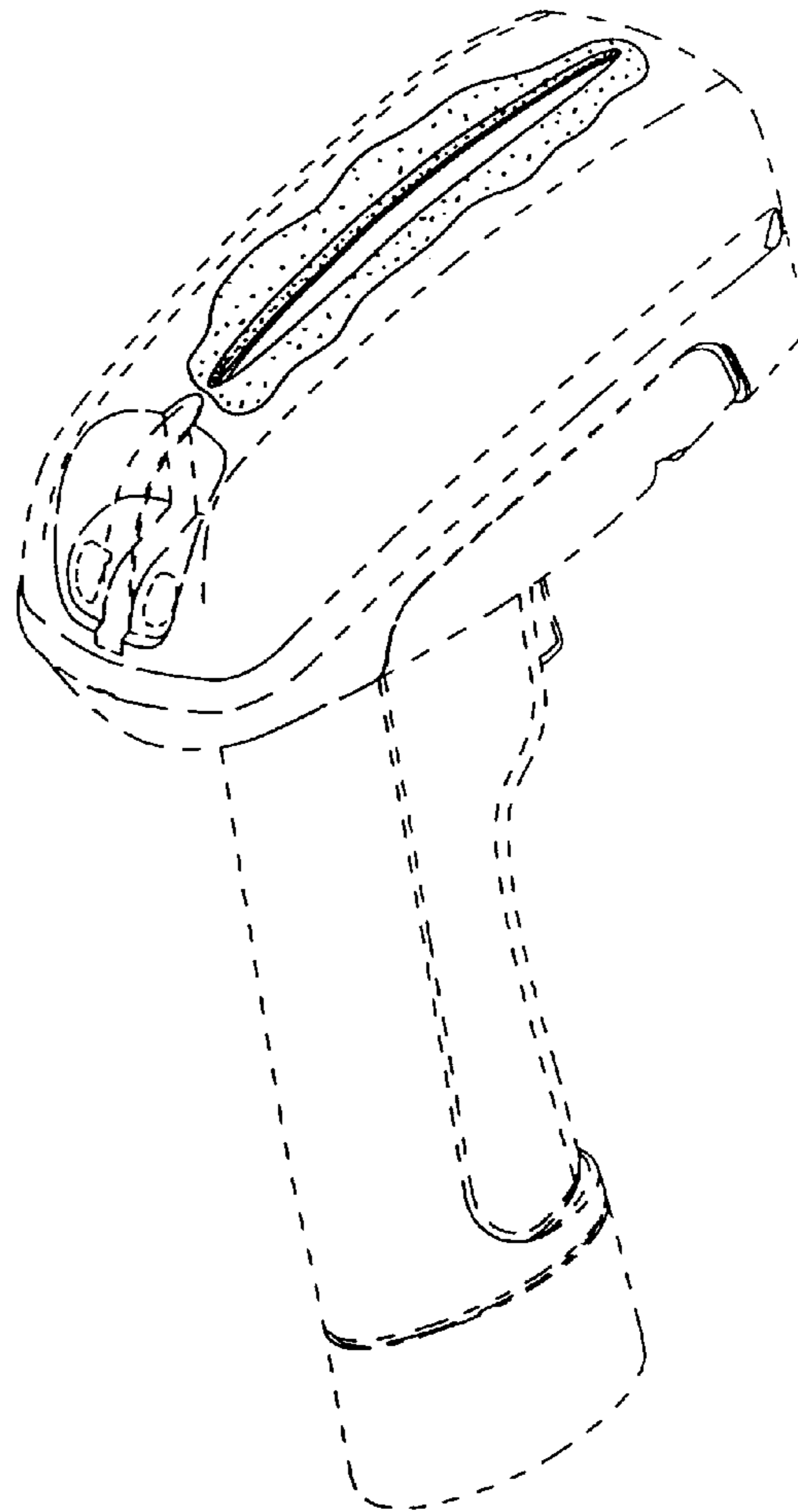


Fig. 9

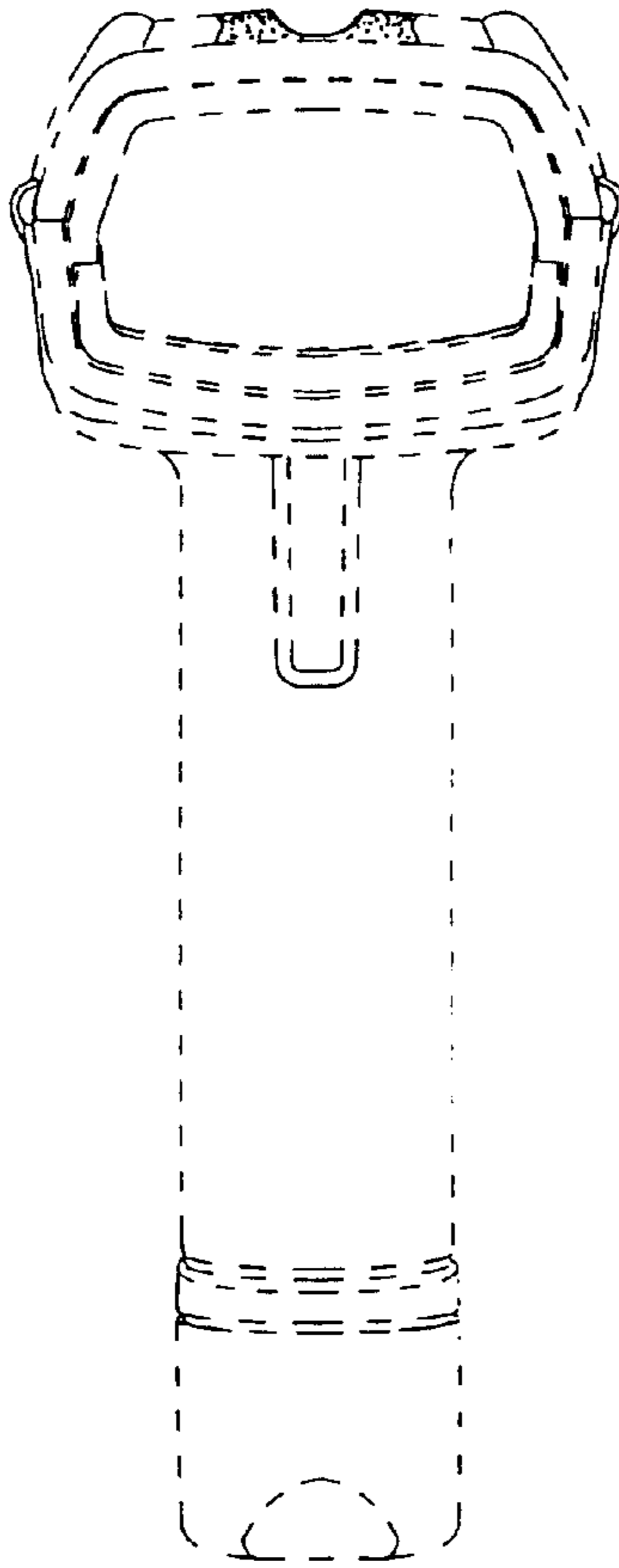


Fig. 10

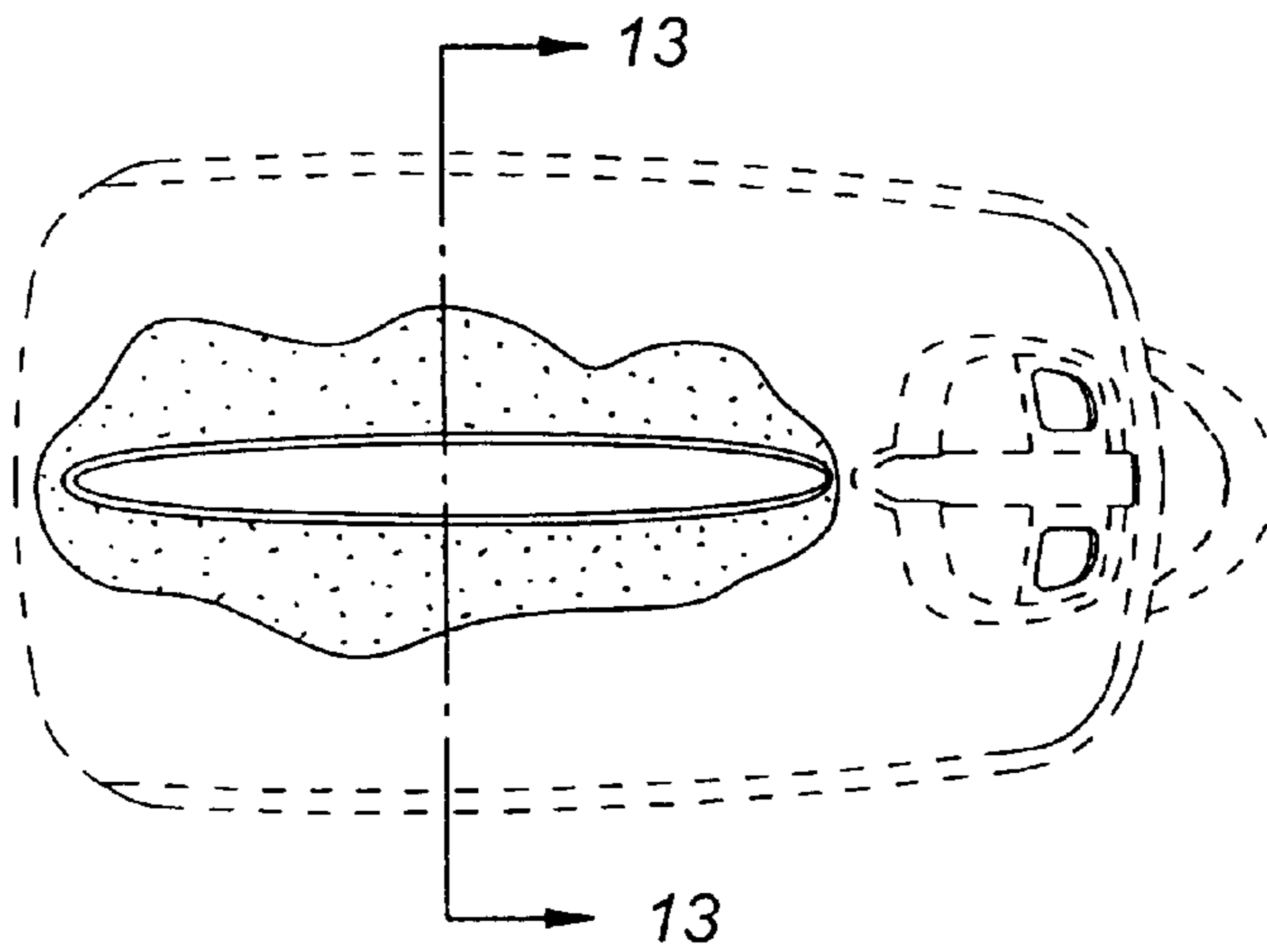


Fig. 11

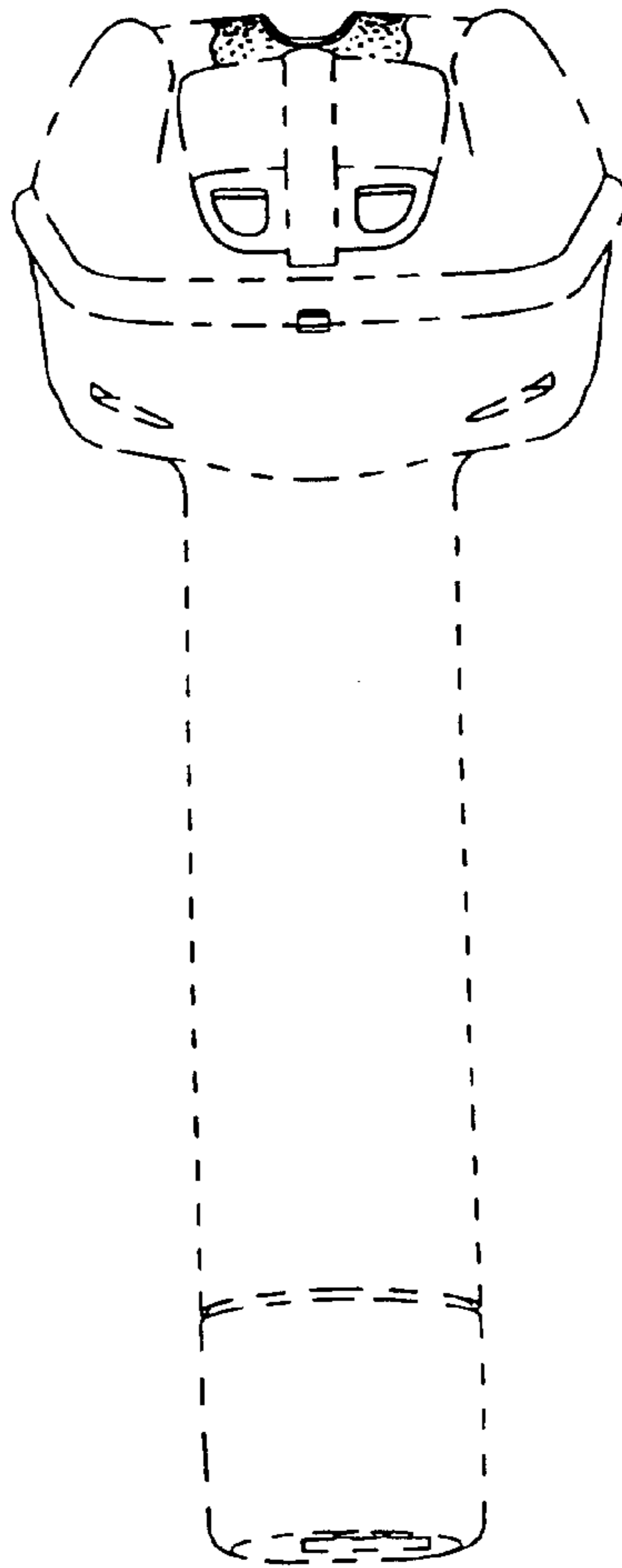


Fig. 12

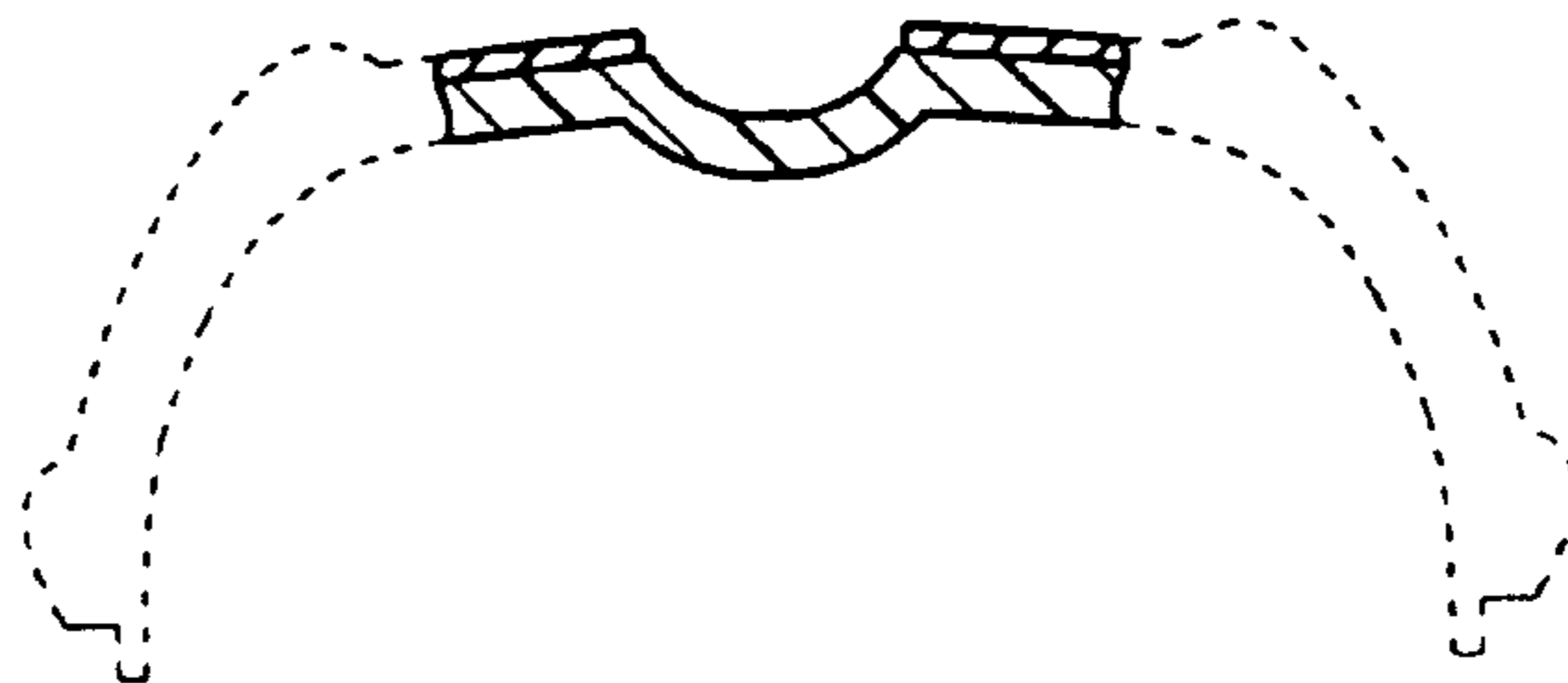


Fig. 13