



US00D461181S

(12) **United States Design Patent**
Ko

(10) **Patent No.:** **US D461,181 S**

(45) **Date of Patent:** **** Aug. 6, 2002**

(54) **WIRELESS LAN USB**

(75) **Inventor:** **Chun-Min Ko, Hsin-Tien (TW)**

(73) **Assignee:** **Senao International Co., Ltd., Taipei Hsien (TW)**

(**) **Term:** **14 Years**

(21) **Appl. No.:** **29/140,130**

(22) **Filed:** **Apr. 13, 2001**

(51) **LOC (7) Cl. 14-03**

(52) **U.S. Cl. D14/242**

(58) **Field of Search** D14/137, 240,
D14/138, 242, 308, 356, 357, 358, 311,
313, 441, 144, 348-355, 370, 341-347,
125, 432, 433, 155, 299, 257, 439, 140,
188, 230, 241, 243, 245; 379/433.01-433.13,
419, 434, 428.01-428.04, 420.01-420.04,
440, 441, 442; 455/550-575, 90; D13/184,
123, 152, 147, 110

(56) **References Cited**

U.S. PATENT DOCUMENTS

D346,172 S	*	4/1994	Fields et al.	D14/299
D359,287 S	*	6/1995	Heberling et al.	D14/242
D375,297 S	*	11/1996	Casarez et al.	D14/358
D379,993 S	*	6/1997	Devitt et al.	D14/240
D383,131 S	*	9/1997	Biasotti et al.	D14/149
D384,672 S	*	10/1997	Heberling	D14/242
D390,553 S	*	2/1998	Beaumont et al.	D14/137
D392,644 S	*	3/1998	McGugan	D14/240
D398,920 S	*	9/1998	Yen	D14/125
D409,199 S	*	5/1999	Taguchi et al.	D14/217

D415,769 S	*	10/1999	Waldner	D14/240
D416,023 S	*	11/1999	Du	D14/242
D418,839 S	*	1/2000	Brunner et al.	D14/230
D420,362 S	*	2/2000	Pedraza et al.	D14/242
D425,021 S	*	5/2000	Ko	D13/123
D428,876 S	*	8/2000	Renkis	D14/230
D429,238 S	*	8/2000	Kolinen	D14/240
D437,314 S	*	2/2001	DeLeon	D14/242
D438,197 S	*	2/2001	Arpe	D14/240
D438,532 S	*	3/2001	Gargani et al.	D14/240
D438,533 S	*	3/2001	Arpe	D14/240

OTHER PUBLICATIONS

SMC2655W, www.techsupportusa.com, Mar. 19, 2002.*

* cited by examiner

Primary Examiner—Jeffrey Asch

(74) *Attorney, Agent, or Firm*—Fitzpatrick, Cella, Harper & Scinto

(57) **CLAIM**

The ornamental design for wireless LAN USB, as shown and described.

DESCRIPTION

FIG. 1 is a perspective view of wireless LAN USB showing the new design;

FIG. 2 is a front elevational view thereof;

FIG. 3 is a rear elevational view thereof;

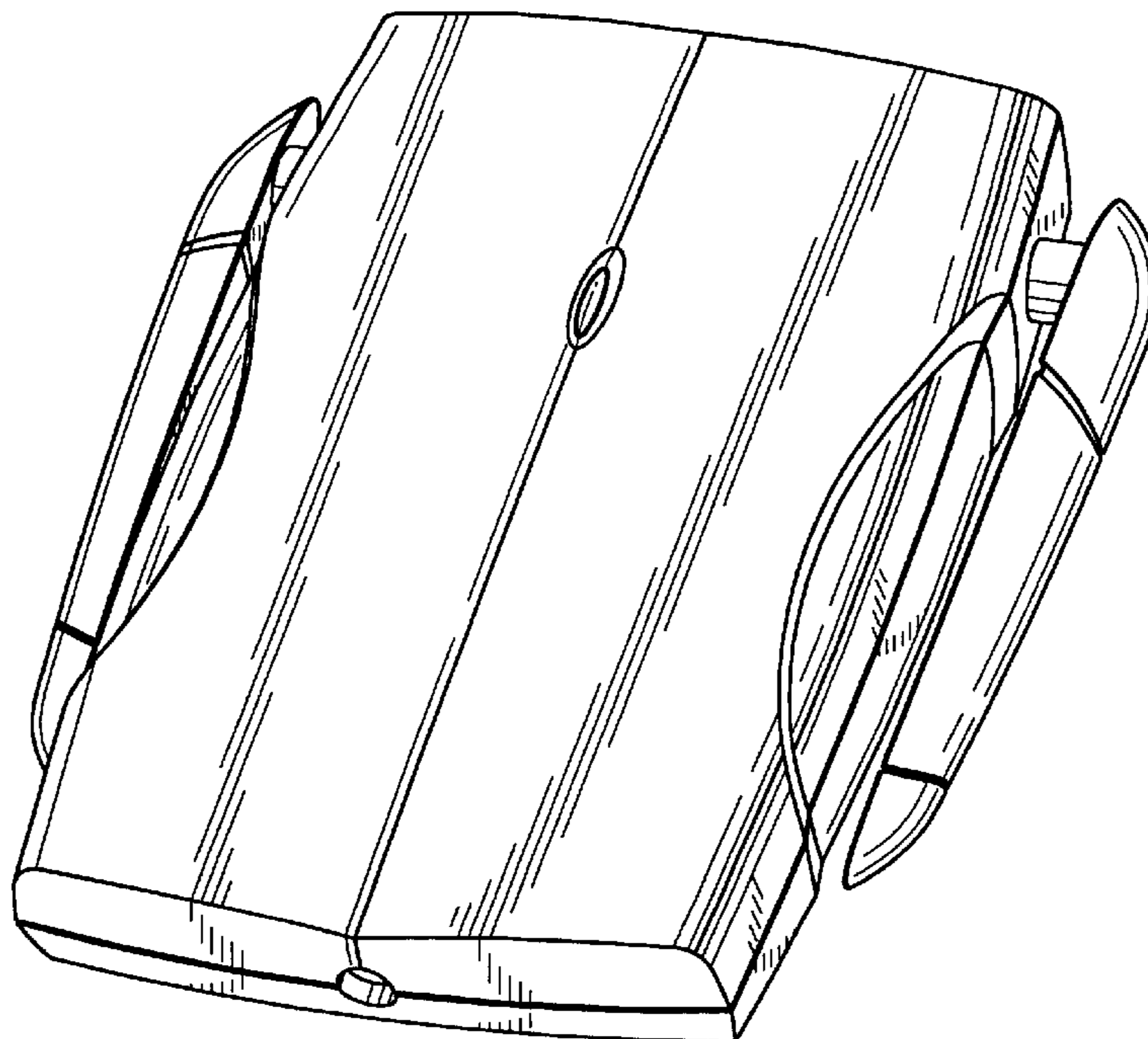
FIG. 4 is a left side elevational view thereof;

FIG. 5 is a right side elevational view thereof;

FIG. 6 is a top plan view thereof; and,

FIG. 7 is a bottom plan view thereof.

1 Claim, 3 Drawing Sheets



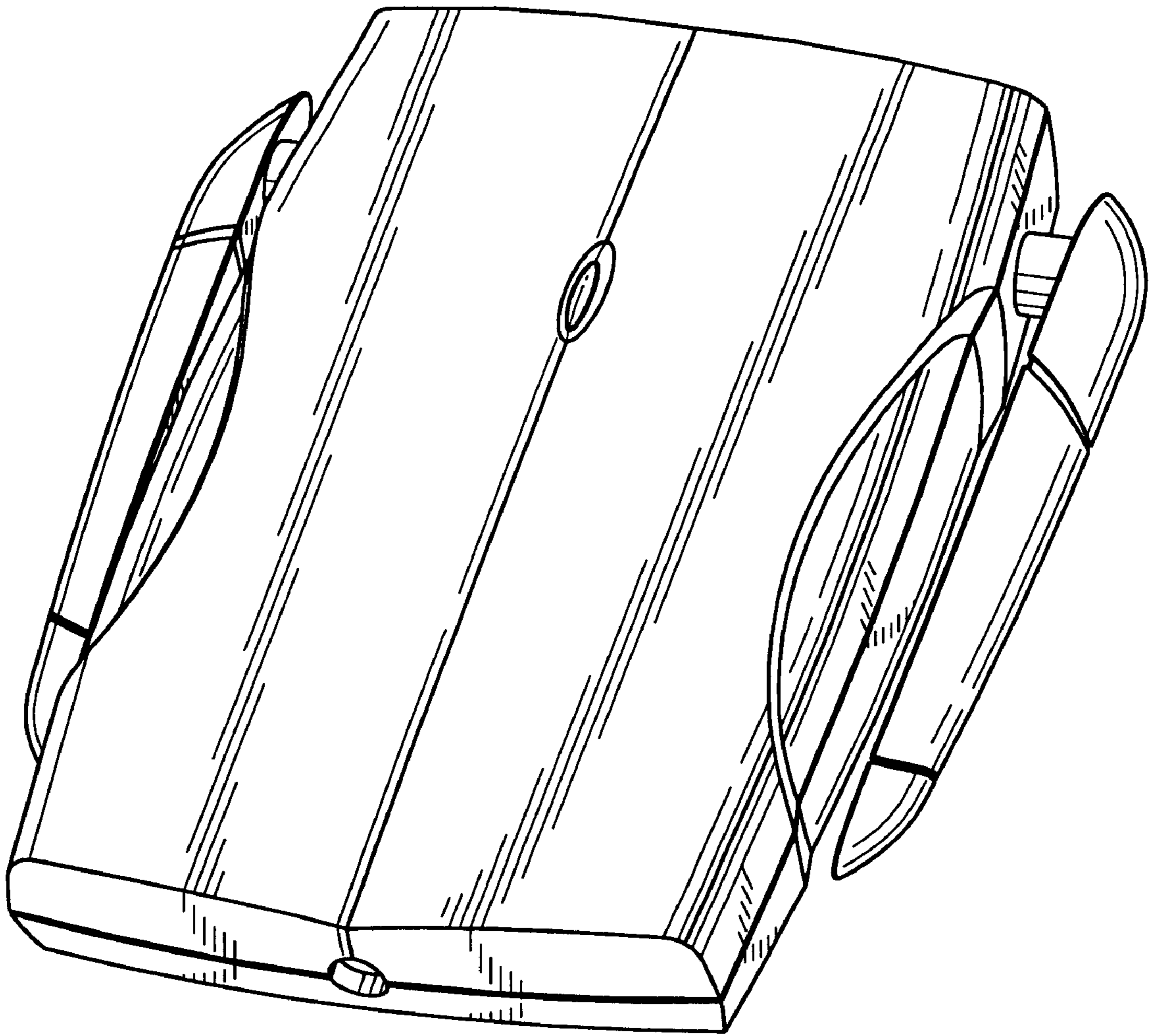


FIG. 1

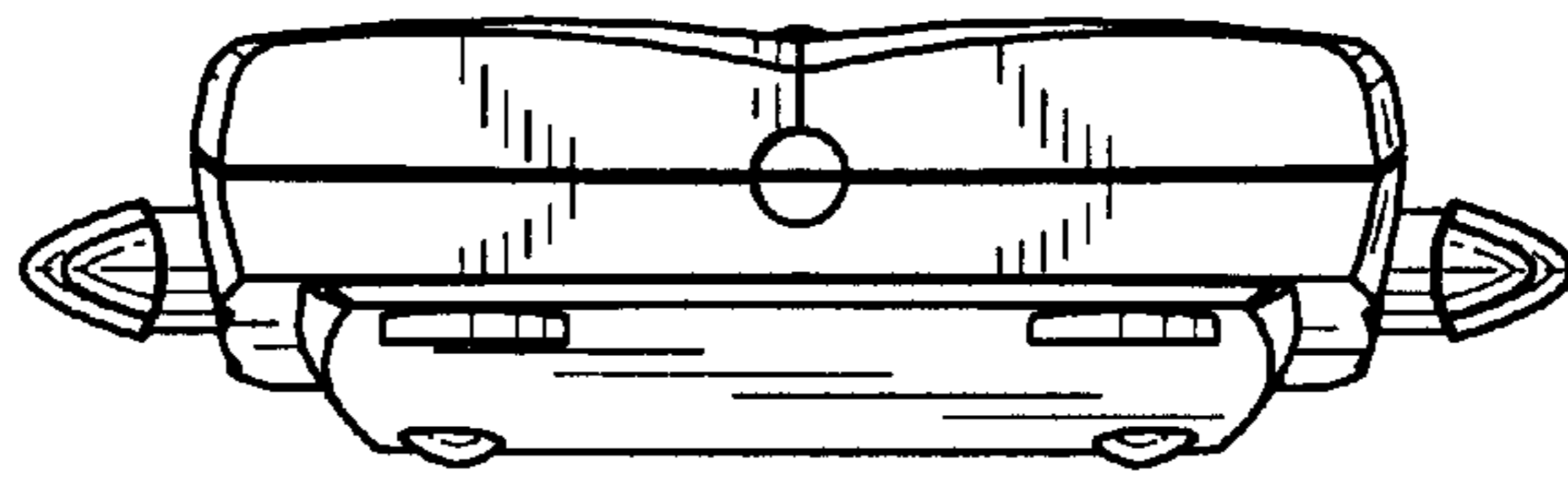


FIG. 2

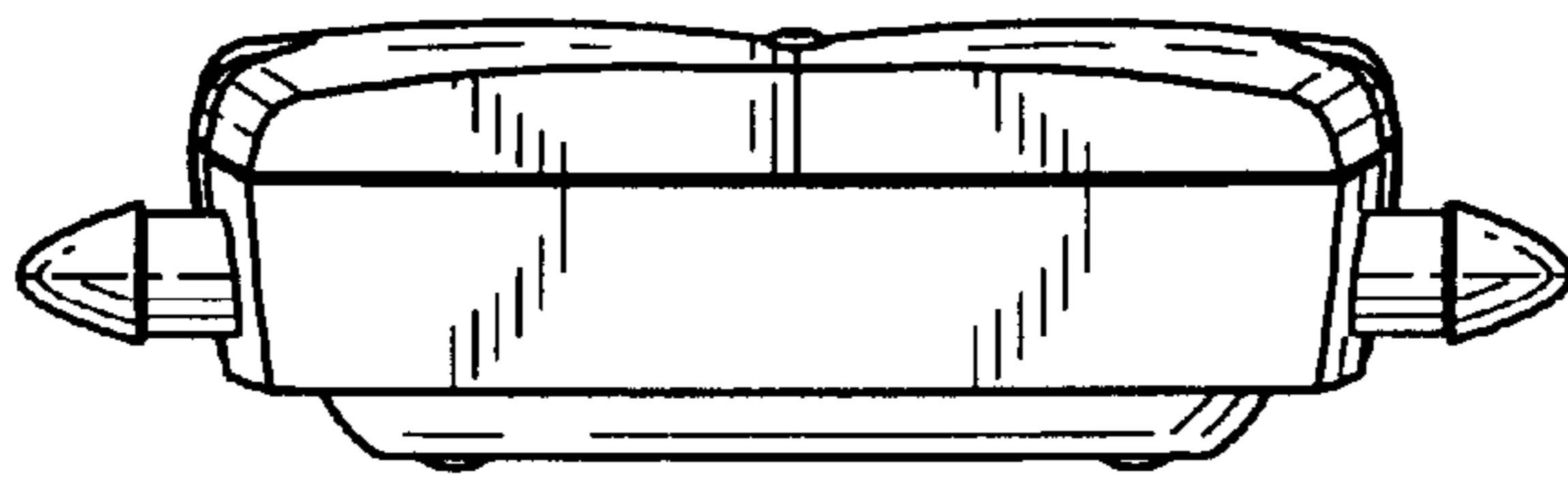


FIG. 3

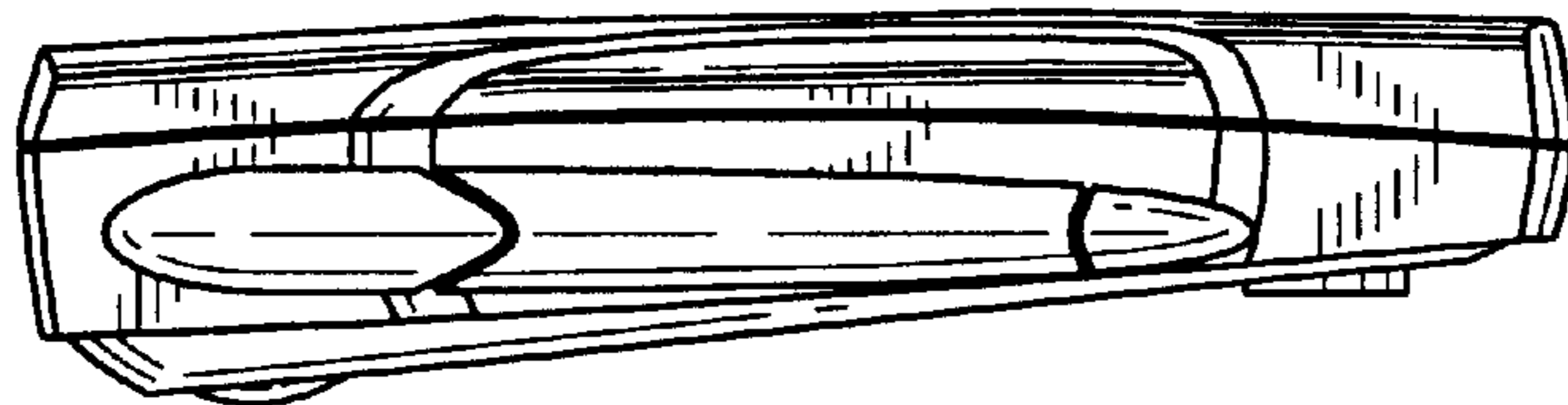


FIG. 4

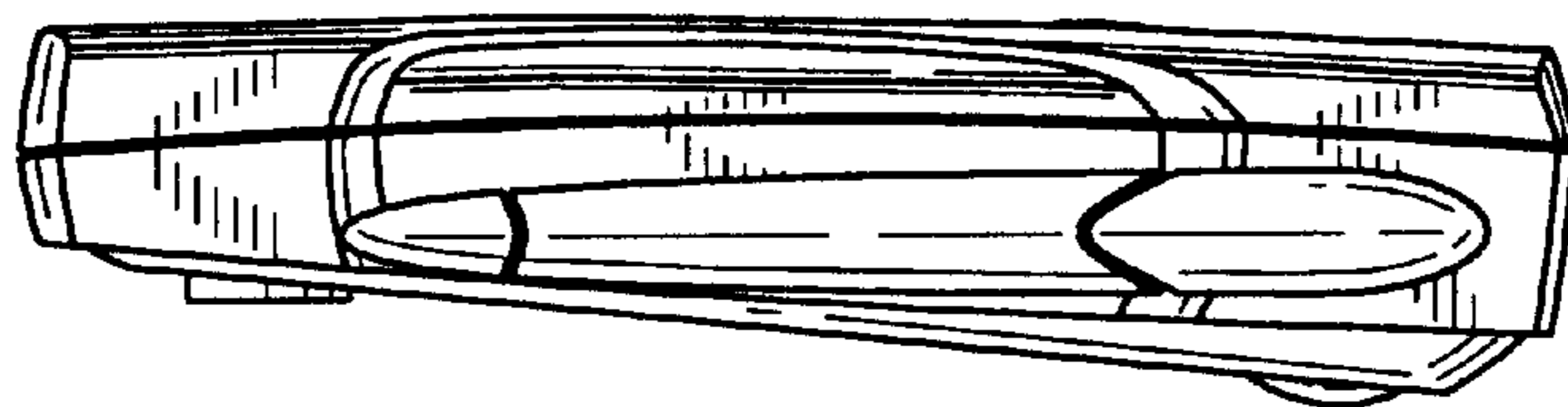


FIG. 5

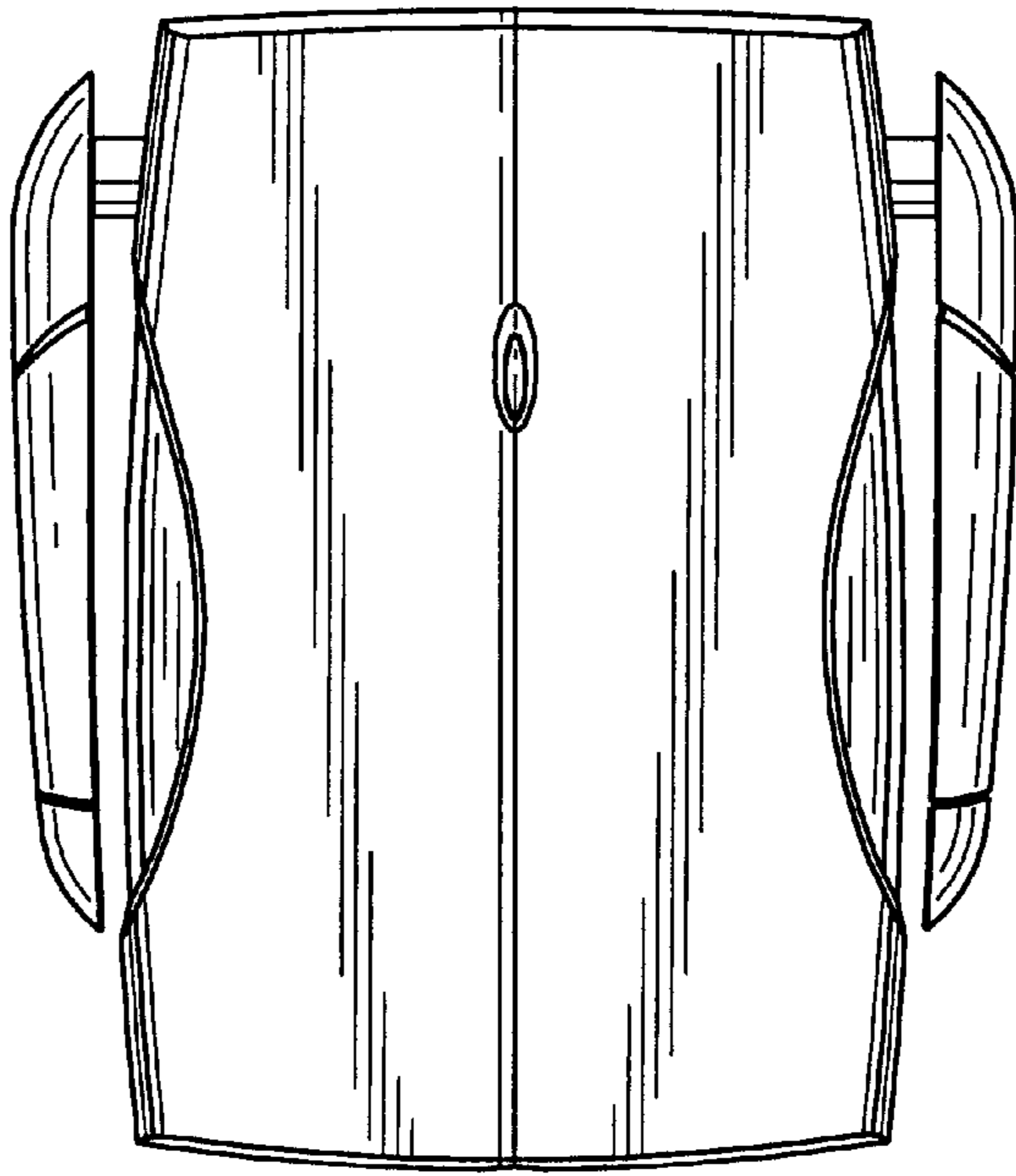


FIG. 6

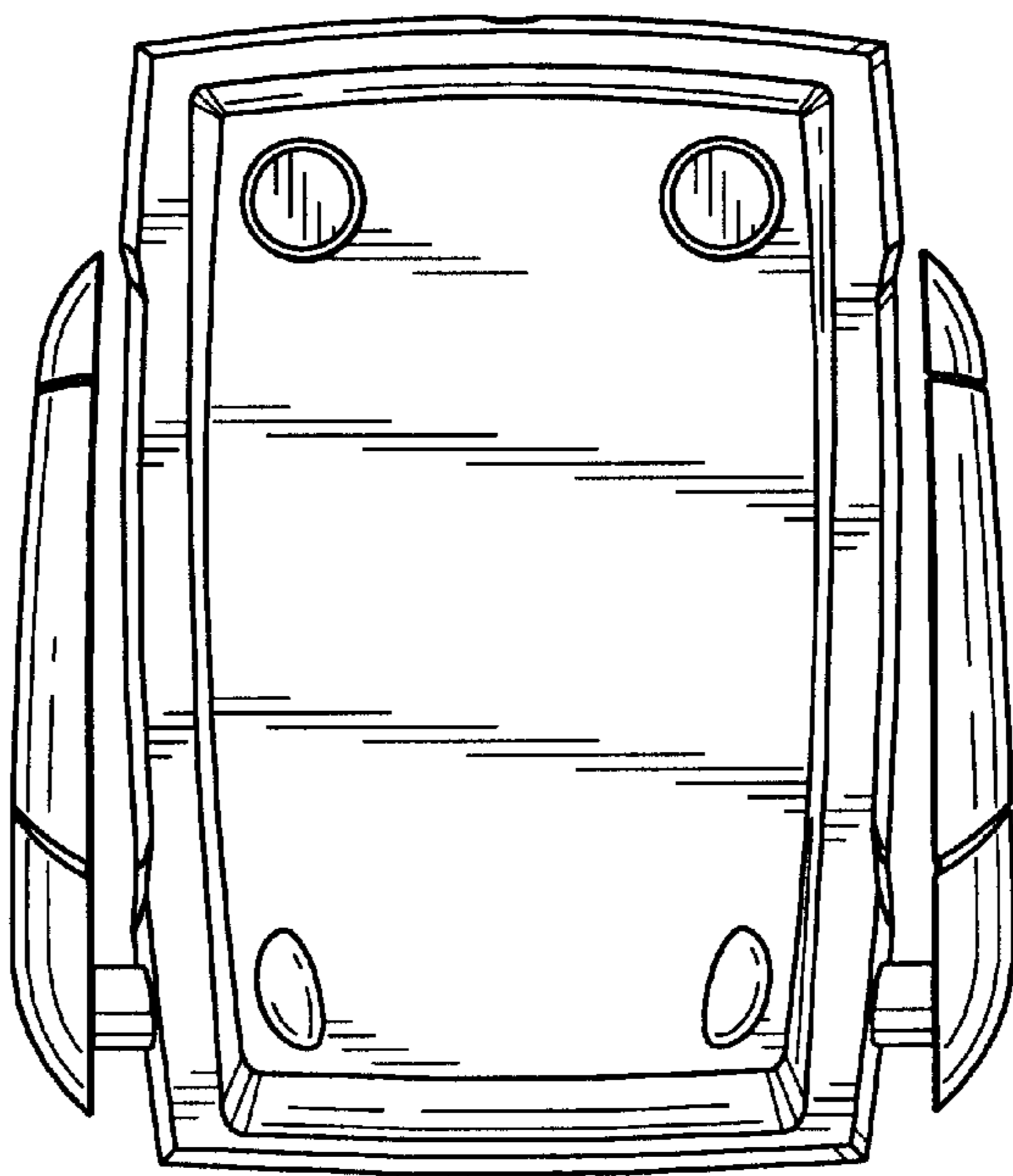


FIG. 7