



US00D461178S

(12) **United States Design Patent**
Solland

(10) **Patent No.:** **US D461,178 S**

(45) **Date of Patent:** **** Aug. 6, 2002**

(54) **SPEAKER**

D379,093 S * 5/1997 Vollum et al. D14/216

(75) Inventor: **Kurt Solland**, Westlake Village, CA (US)

* cited by examiner

Primary Examiner—Nanda Bondade

(73) Assignee: **Harman International Industries, Inc.**, Northridge, CA (US)

(74) *Attorney, Agent, or Firm*—Banner & Witcoff, Ltd.

(**) Term: **14 Years**

(57) **CLAIM**

The ornamental design for a speaker, as shown and described.

(21) Appl. No.: **29/148,809**

DESCRIPTION

(22) Filed: **Sep. 28, 2001**

(51) **LOC (7) Cl.** **14-01**

FIG. 1 is a perspective view of a speaker showing my new design;

(52) **U.S. Cl.** **D14/216**

FIG. 2 is a front elevational view thereof;

(58) **Field of Search** D14/204, 207,

FIG. 3 is a rear elevational view thereof;

D14/209–216; 181/144–145, 147–148,

FIG. 4 is a top plan view thereof; and,

150, 153, 157, 198–199; 381/300–302,

FIG. 5 is a side elevational view of one side thereof, the other side view being a mirror image.

307, 345, 361–364, 386

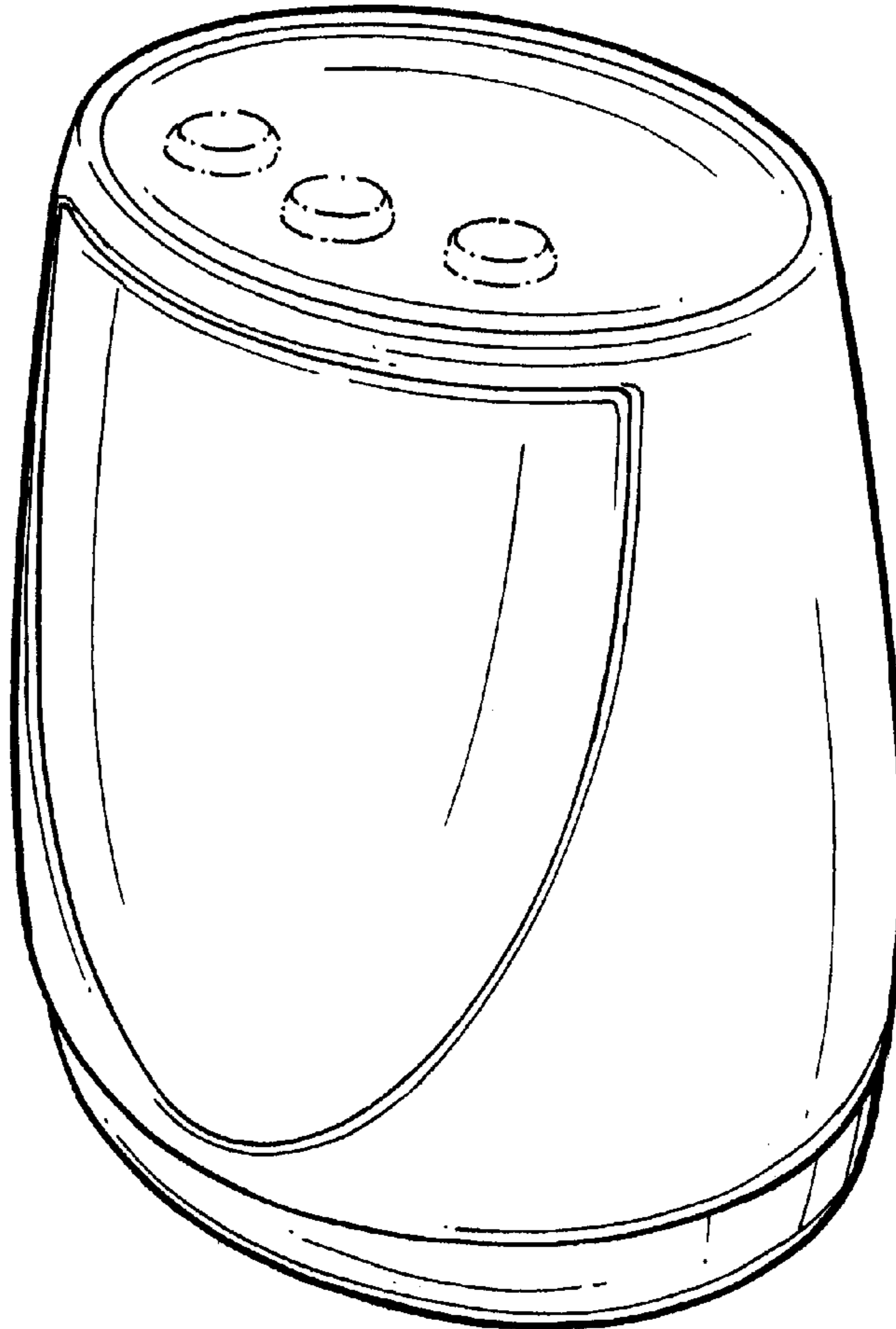
The broken line showing of three buttons on the top, the feet on the bottom and the connectivity ports on the rear of the speaker is for illustrative purposes only and forms no part of the claimed design.

(56) **References Cited**

U.S. PATENT DOCUMENTS

D356,569 S * 3/1995 Gioscia D14/210
5,444,194 A * 8/1995 Raymond 181/153

1 Claim, 3 Drawing Sheets



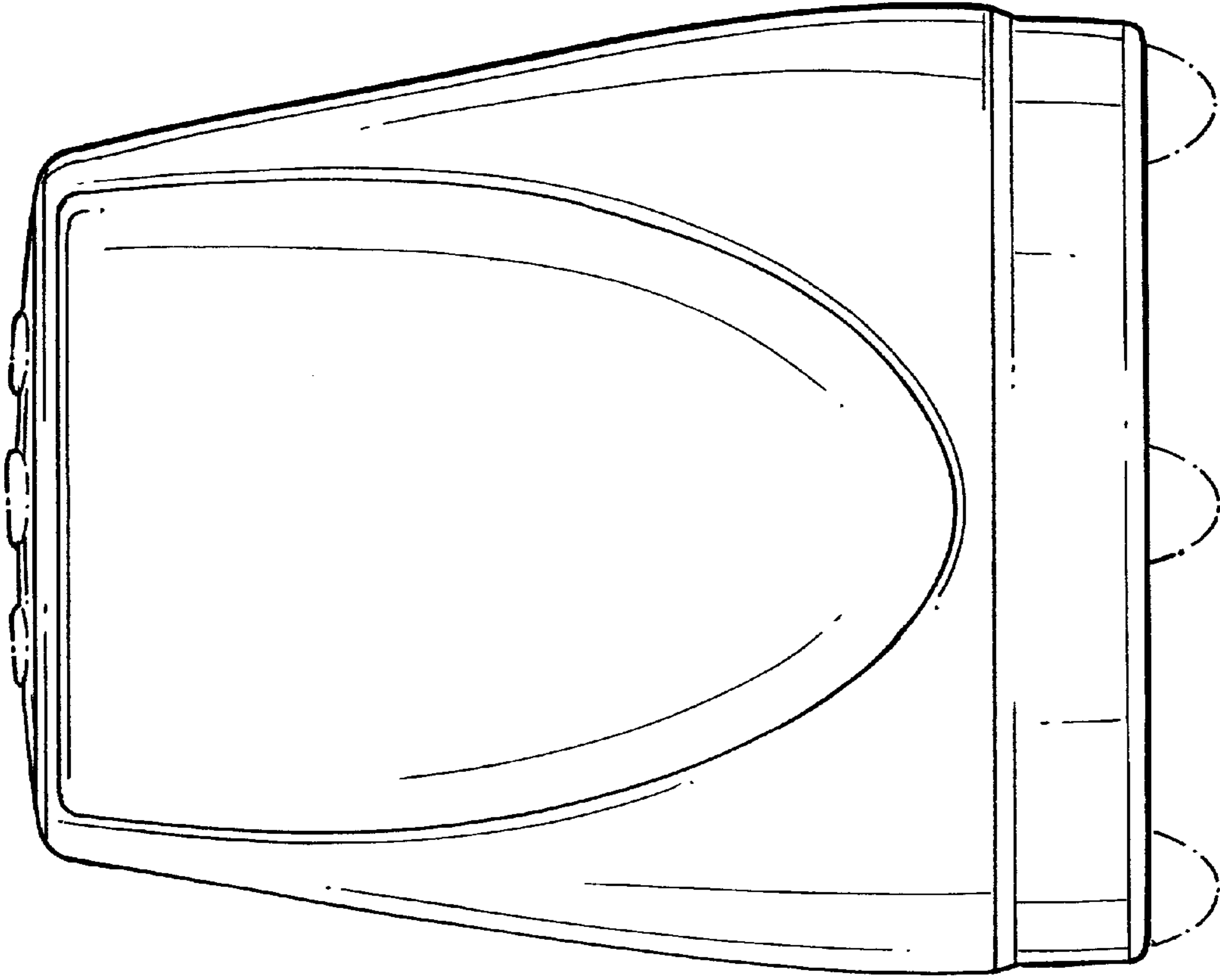


FIG. 2

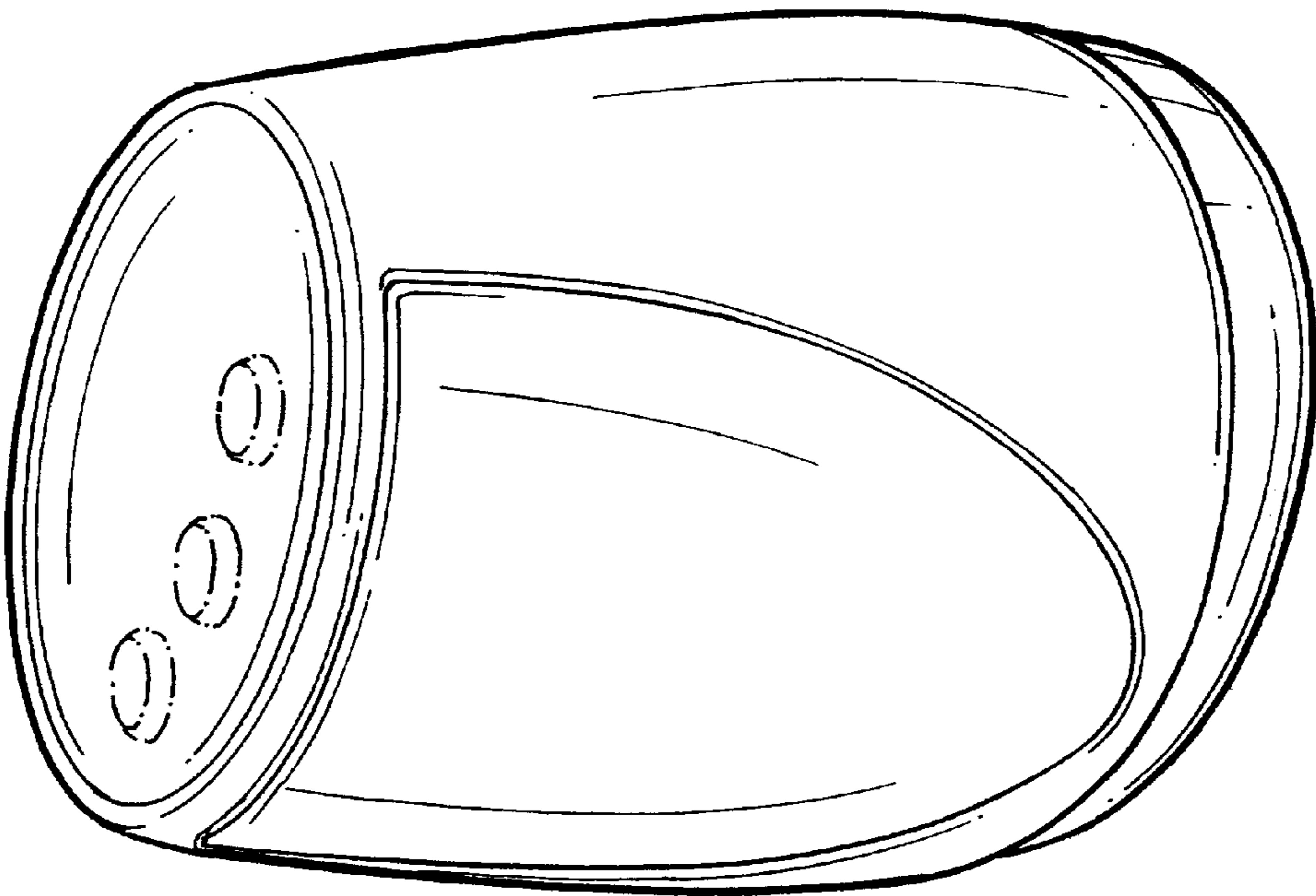


FIG. 1

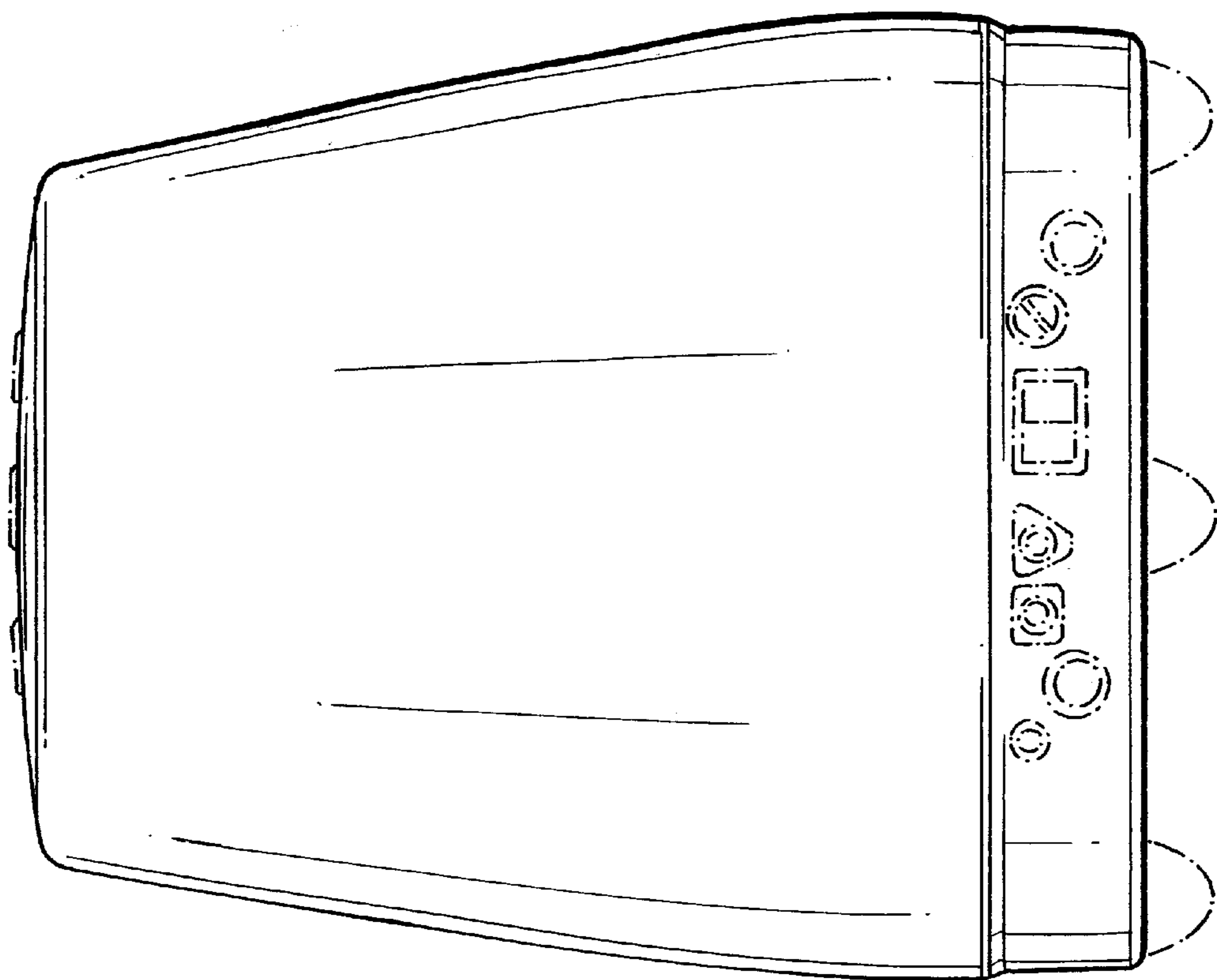


FIG. 3

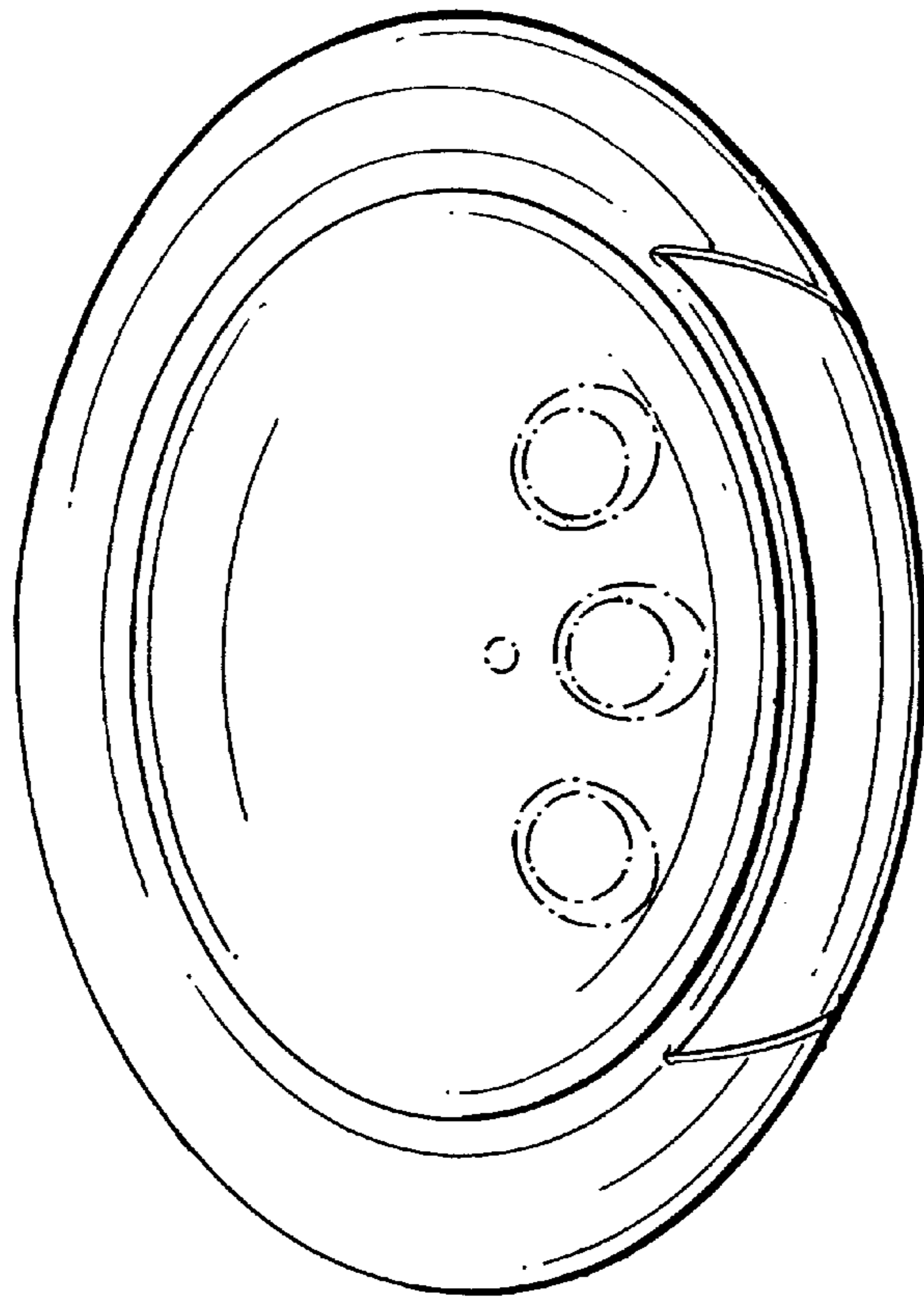


FIG. 4

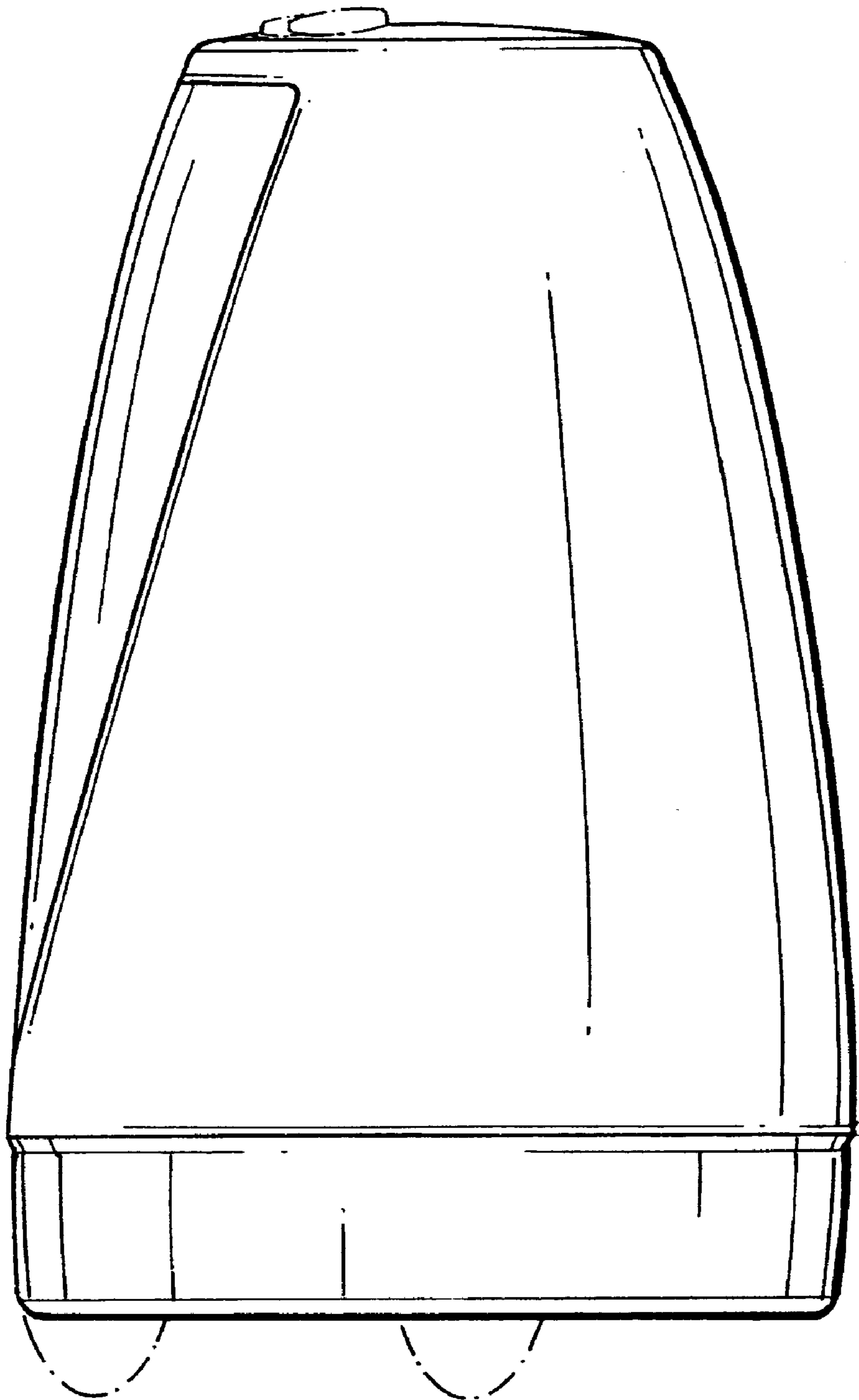


FIG. 5