



US00D461176S

(12) **United States Design Patent**
Siokola

(10) **Patent No.:** **US D461,176 S**

(45) **Date of Patent:** **** Aug. 6, 2002**

(54) **WIRELESS TRANSMITTER FOR ATTACHMENT TO A MICROPHONE**

(76) **Inventor:** **Mario Siokola**, Paulanergasse 16/8, A/1040 Vienna (AT)

(**) **Term:** **14 Years**

(21) **Appl. No.:** **29/156,800**

(22) **Filed:** **Mar. 8, 2002**

(51) **LOC (7) Cl.** **14-03**

(52) **U.S. Cl.** **D14/155**

(58) **Field of Search** D10/104, 106; D14/155, 188, 225-229, 217-218, 299; 181/158, 242; 340/571, 572.1-572.9; 381/26, 92, 95, 111-118, 122, 172-174, 335, 369; 455/91-93, 117

(56) **References Cited**

U.S. PATENT DOCUMENTS

D173,608 S	12/1954	Burroughs	D26/14
D200,051 S	1/1965	Wassman	D26/14
3,718,862 A	* 2/1973	Norris	455/95
4,224,482 A	* 9/1980	Lese et al.	381/172
4,396,800 A	8/1983	McDonnell et al.	179/1
D280,896 S	* 10/1985	Campbell et al.	D14/155
D331,927 S	12/1992	Birri	D14/155
D411,998 S	7/1999	Hakoda et al.	D14/218
D424,567 S	5/2000	Hakoda	D14/218
D431,817 S	10/2000	Yuyama et al.	D14/227
D433,055 S	* 10/2000	McGugan	D14/155

D440,217 S	*	4/2001	Hasselmann et al.	D10/104
D442,932 S	*	5/2001	Koike	D14/155
D449,041 S		10/2001	Koike	D14/228
D450,682 S		11/2001	Takagi	D14/218

* cited by examiner

Primary Examiner—Nanda Bondade
(74) *Attorney, Agent, or Firm*—Harman International Industries, Incorporated

(57) **CLAIM**

The ornamental design for a wireless transmitter for attachment to a microphone, as shown and described.

DESCRIPTION

FIG. 1 is perspective view of the wireless transmitter for attachment to a microphone.

FIG. 2 is a side view thereof of the wireless transmitter for attachment to a microphone.

FIG. 3 is a top plan view of the wireless transmitter for attachment to a microphone.

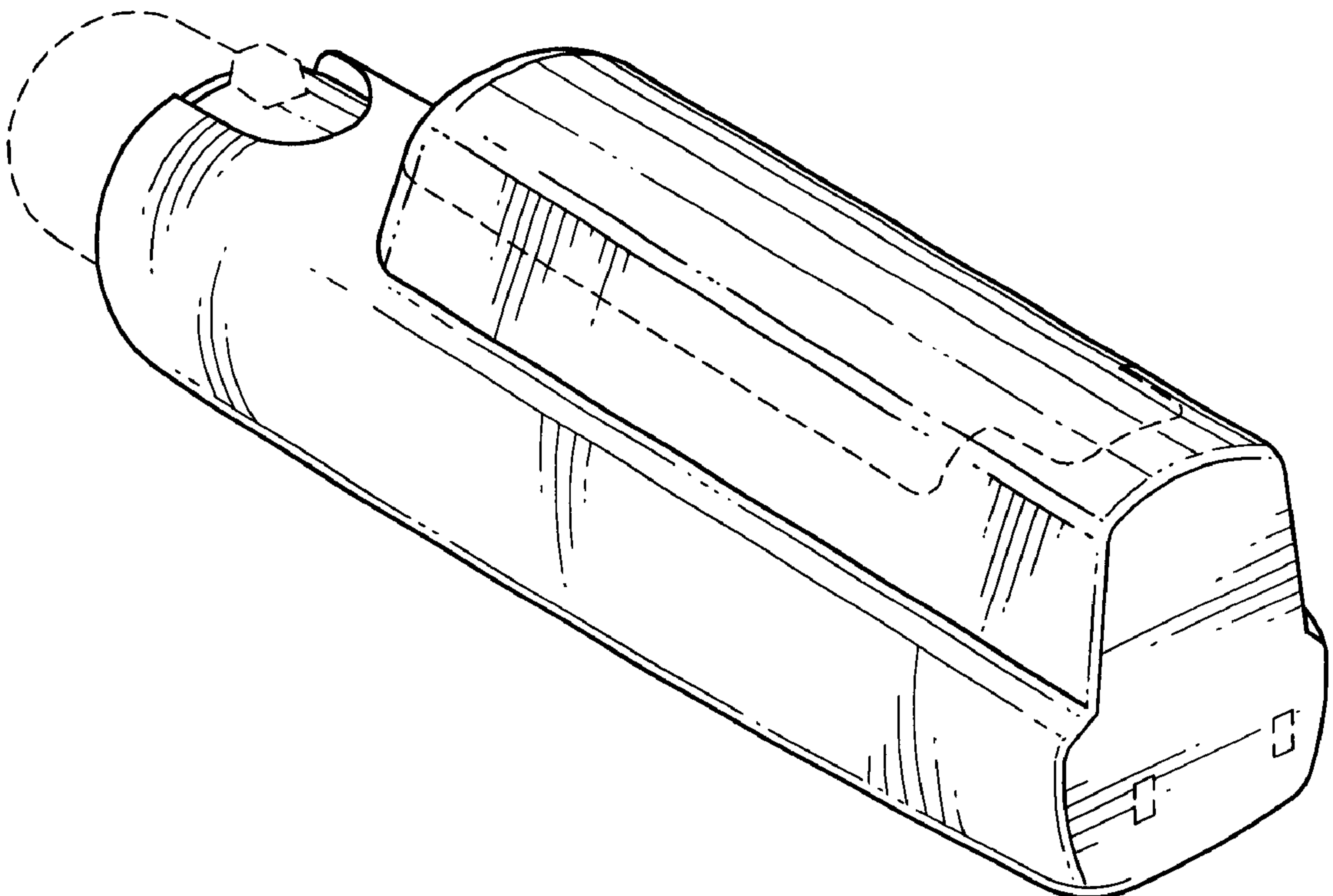
FIG. 4 is a bottom view thereof of the wireless transmitter for attachment to a microphone.

FIG. 5 is a top perspective view of the wireless transmitter for attachment to a microphone; and,

FIG. 6 is a bottom perspective view of the wireless transmitter for attachment to a microphone.

The broken lines in FIGS. 1-6 are for illustrative purposes only and form no part of the claimed design.

1 Claim, 2 Drawing Sheets



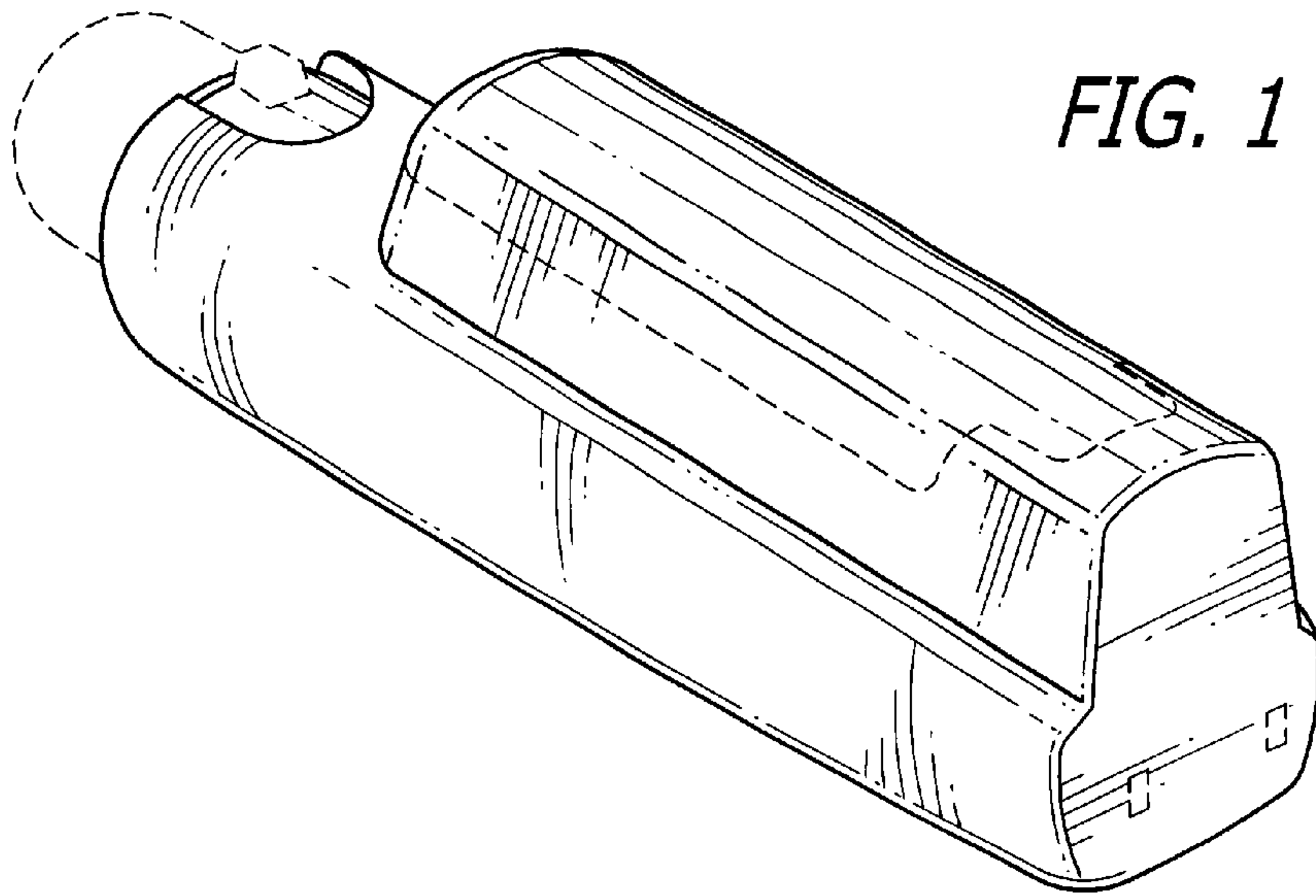


FIG. 2

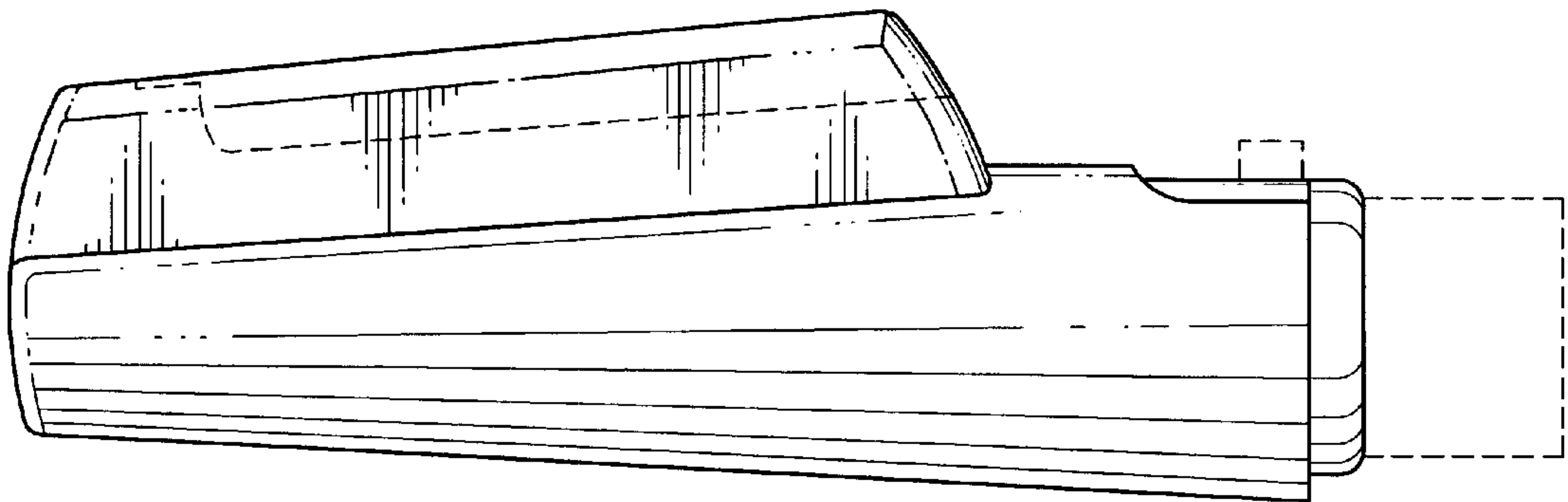


FIG. 3

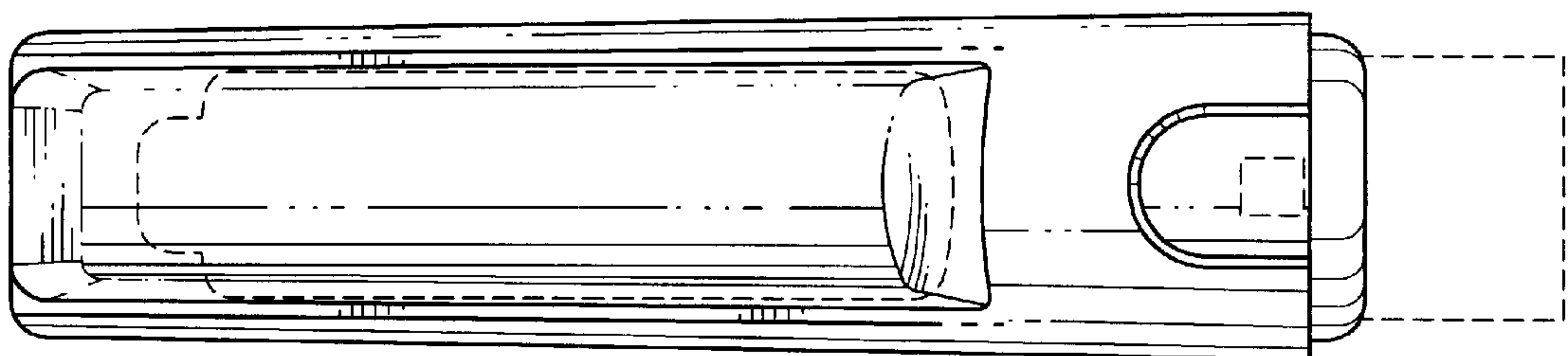


FIG. 4

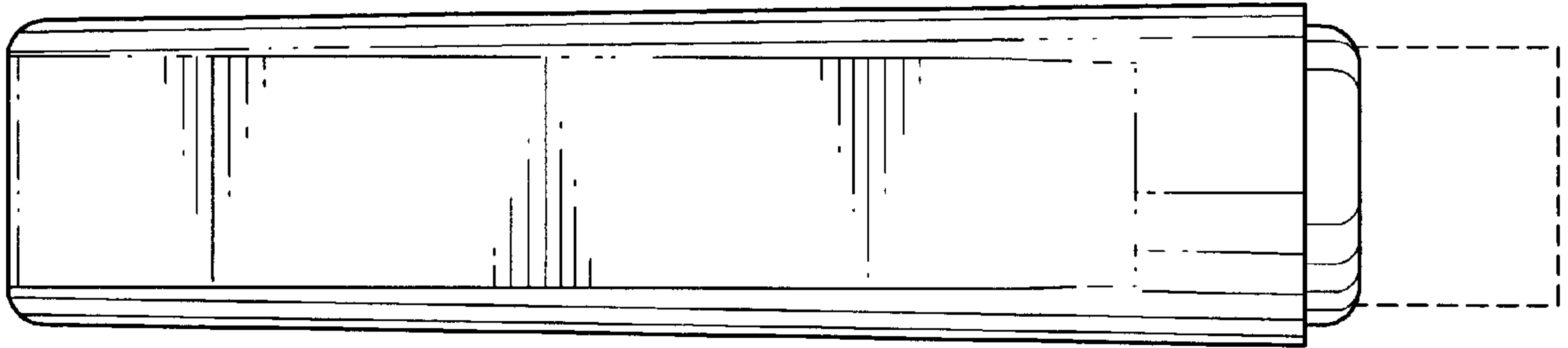


FIG. 5

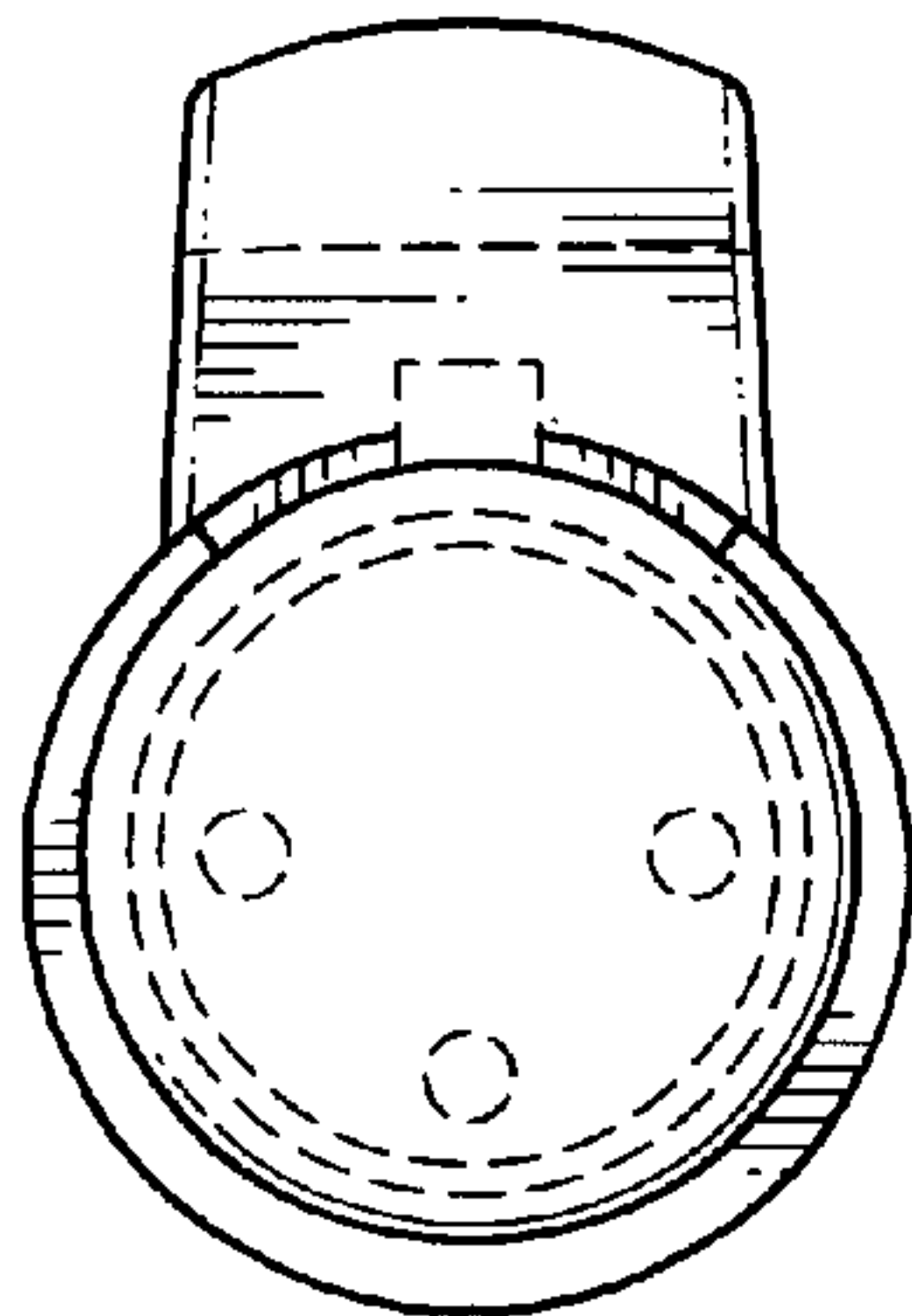


FIG. 6

