

US00D461170S

(12) **United States Design Patent** (10) **Patent No.:** **US D461,170 S**  
**Williams et al.** (45) **Date of Patent:** **\*\* Aug. 6, 2002**

(54) **SURFACE MOUNT PACKAGE**

(75) Inventors: **Richard Williams**, Cupertino; **James Harnden**, Hollister, both of CA (US); **Anthony Chia**, Singapore (SG); **Chu Weibing**, Shanghai, CA (US)

(73) Assignee: **GEM Services, Inc.**, Santa Clara, CA (US)

(\*\*) Term: **14 Years**

(21) Appl. No.: **29/141,964**

(22) Filed: **May 15, 2001**

(51) **LOC (7) Cl.** ..... **13-02**

(52) **U.S. Cl.** ..... **D13/182**

(58) **Field of Search** ..... D13/182; D14/114;  
257/621, 666, 669, 672, 673, 674, 676,  
684, 690, 692, 696, 710, 711, 730, 731;  
361/718, 742, 760, 774, 820

(56) **References Cited**

**U.S. PATENT DOCUMENTS**

4,984,062	A	*	1/1991	Uemira et al.	.....	257/666
5,224,021	A	*	6/1993	Takada et al.	.....	361/774
5,446,623	A	*	8/1995	Kanetake	.....	361/760
5,625,226	A	*	4/1997	Kinzer	.....	257/705
D402,638	S	*	12/1998	Farnworth et al.	.....	D13/182
6,040,626	A	*	3/2000	Cheah et al.	.....	257/735
6,211,462	B1	*	4/2001	Carter, Jr. et al.	.....	174/52.4
6,242,797	B1	*	6/2001	Ichikawa et al.	.....	257/666
6,242,800	B1	*	6/2001	Munos et al.	.....	257/712
6,249,041	B1	*	6/2001	Kasem et al.	.....	257/666

**OTHER PUBLICATIONS**

JEDEC Solid State Product Outlines, "Small Outline J-Lead" (SOJ) .300 Body Family (MS-013 Body), Issue A, Jun., 1988, MO-088, AA-AF.

JEDEC Solid State Product Outline, Low Profile Small Outline J-Lead Package (LSOJ), PRSO-J/LSOJ, Issue B, Jun., 1999, MO-199, pp. 1-5.

JEDEC Solid State Product Outlines, "Plastic Small Outline (SOJ) Package Family with .330 Inch Body Width", Issue B, May, 1992, MO-121, pp. 1-2.

\* cited by examiner

*Primary Examiner*—Ted Shooman

*Assistant Examiner*—Selina Sikder

(74) *Attorney, Agent, or Firm*—Townsend & Townsend & Crew LLP

(57) **CLAIM**

The ornamental design for a surface mount package, as shown and described.

**DESCRIPTION**

FIG. 1 is a perspective view of a surface mount package showing my new design;

FIG. 2 is a top plan view thereof;

FIG. 3 is a bottom plan view thereof;

FIG. 4 is a front elevational view thereof;

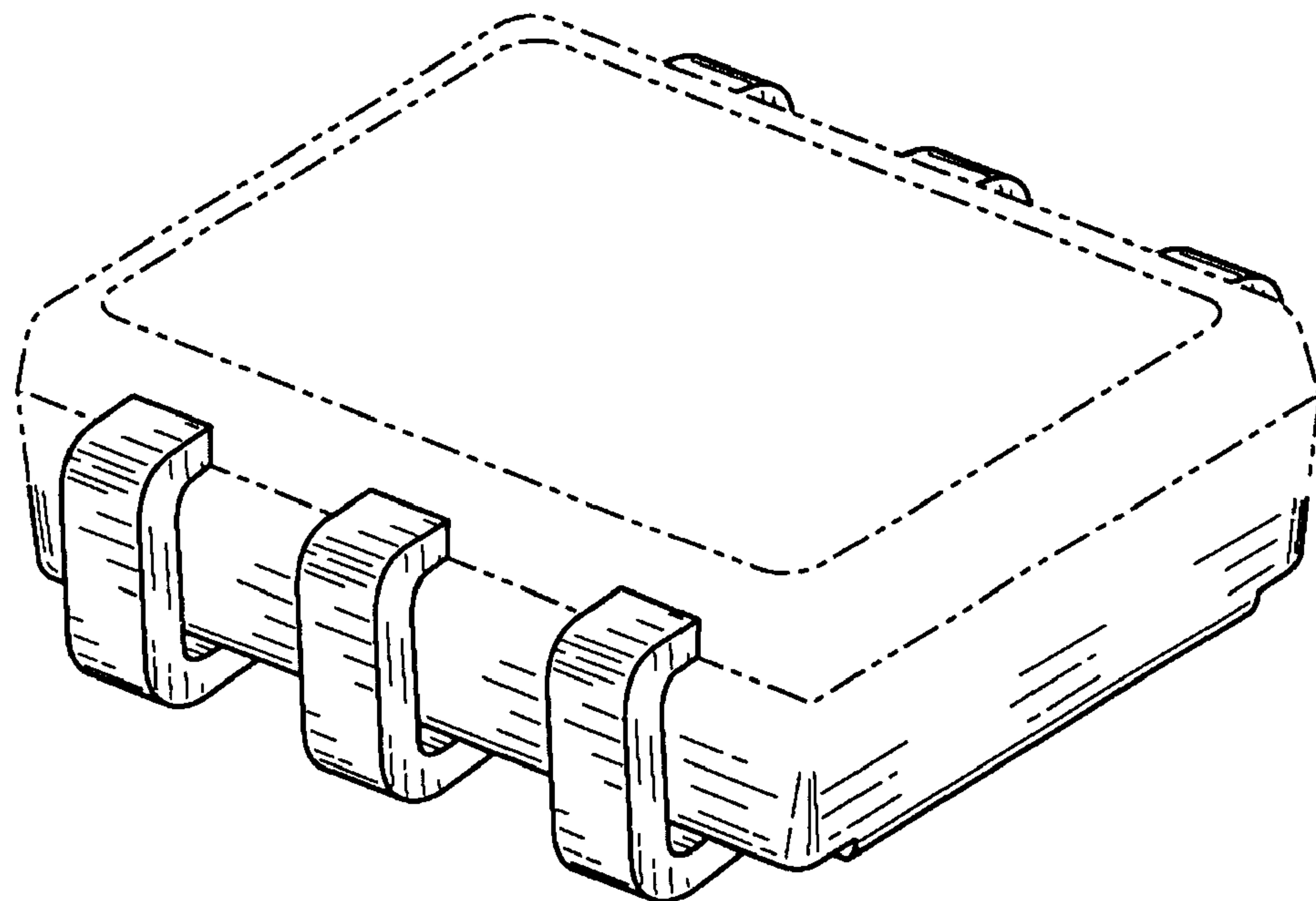
FIG. 5 is a rear elevational view thereof;

FIG. 6 is a left side elevational view thereof; and,

FIG. 7 the right side elevational view thereof.

The broken line showing of the environment is for illustrative purpose only and forms no part of the claimed design.

**1 Claim, 3 Drawing Sheets**



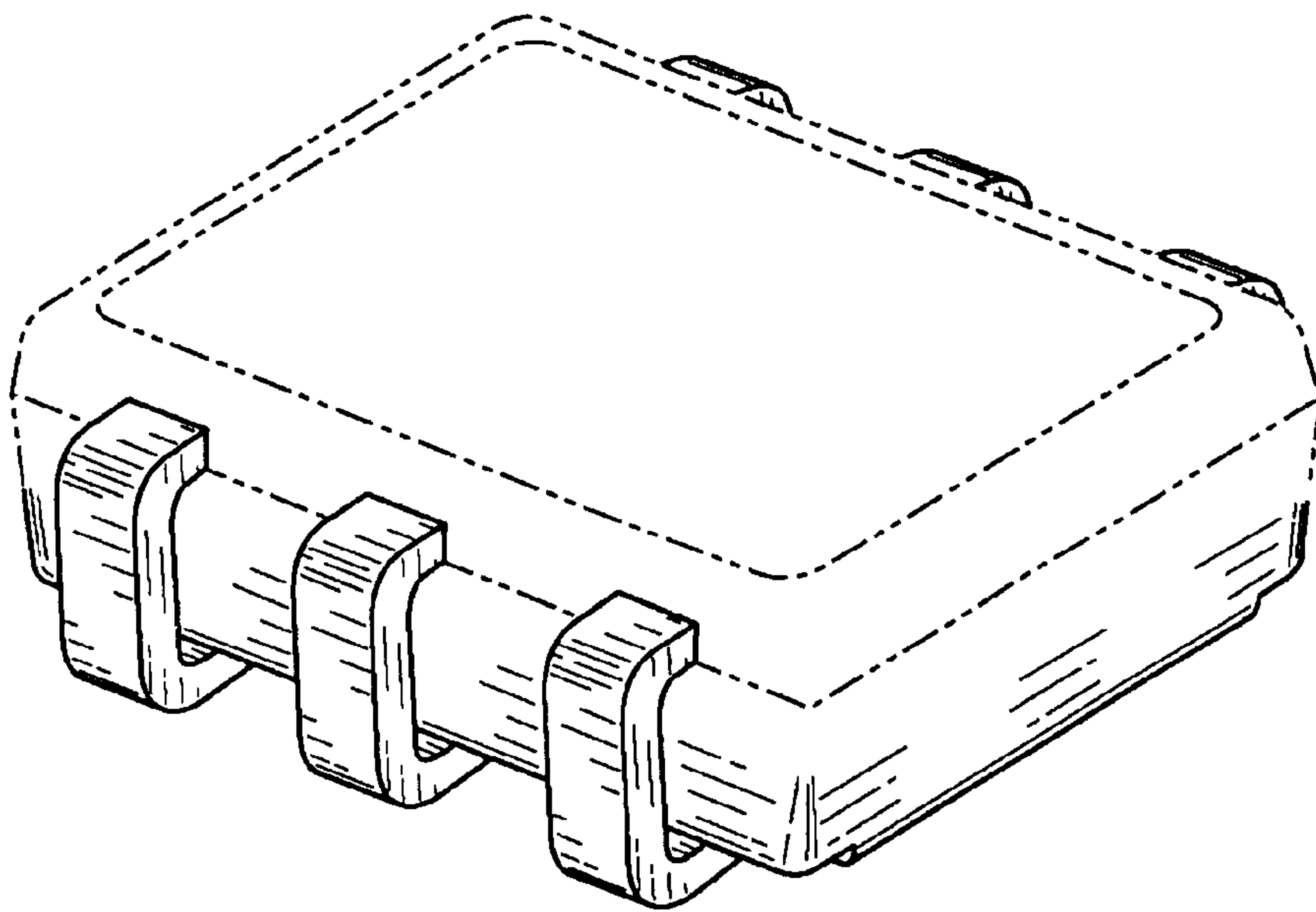


FIG. 1

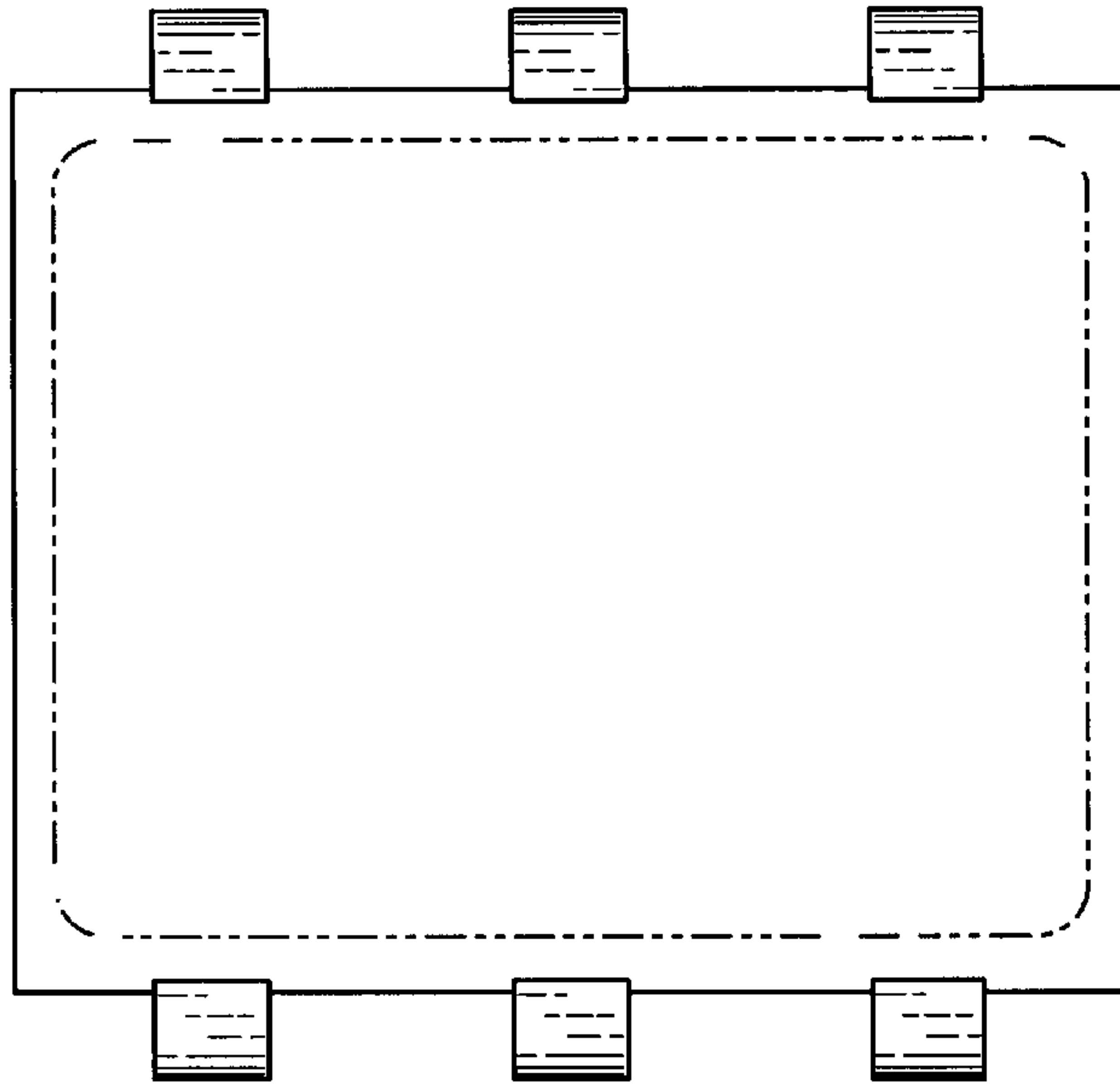


FIG. 2

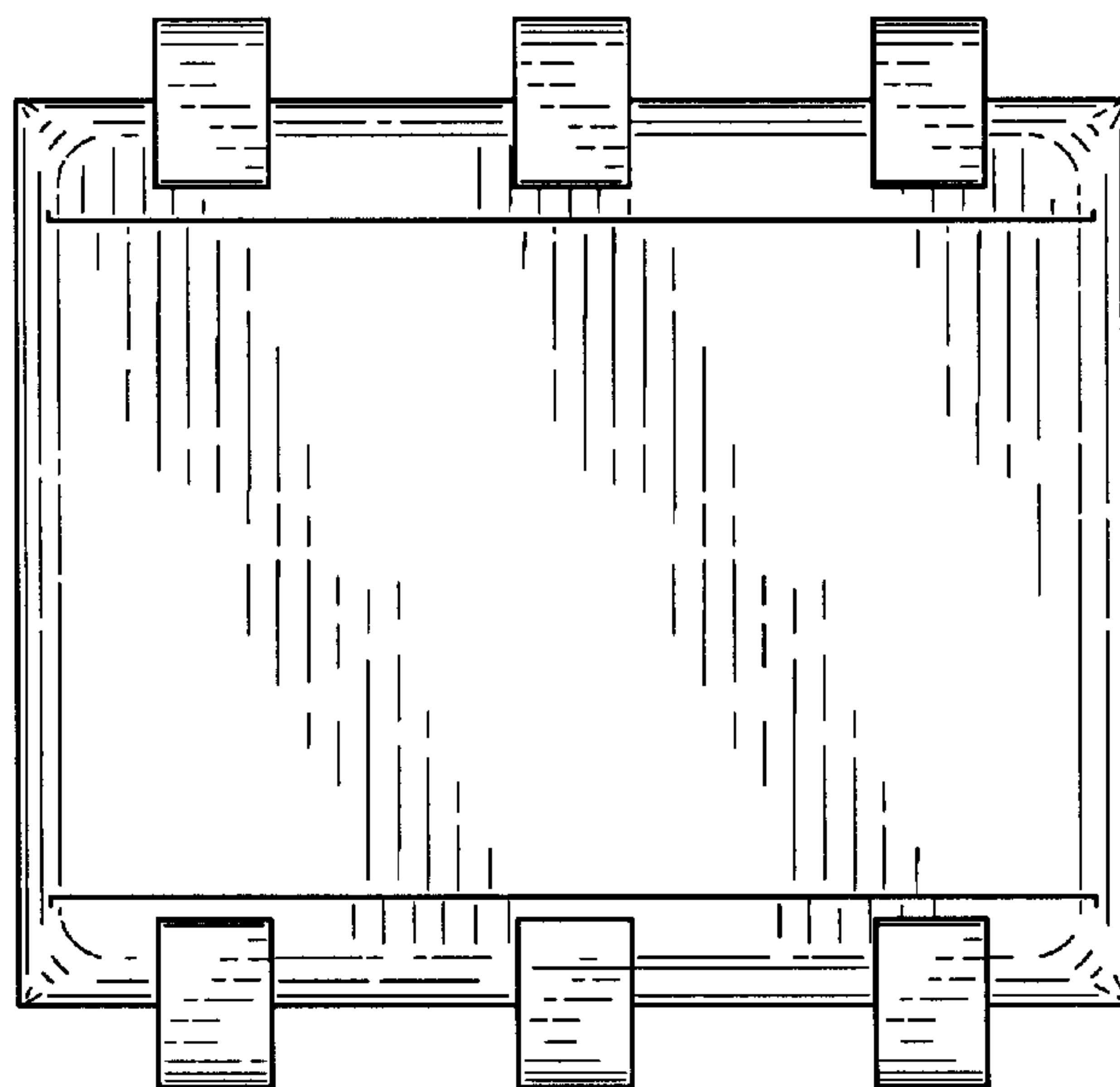


FIG. 3

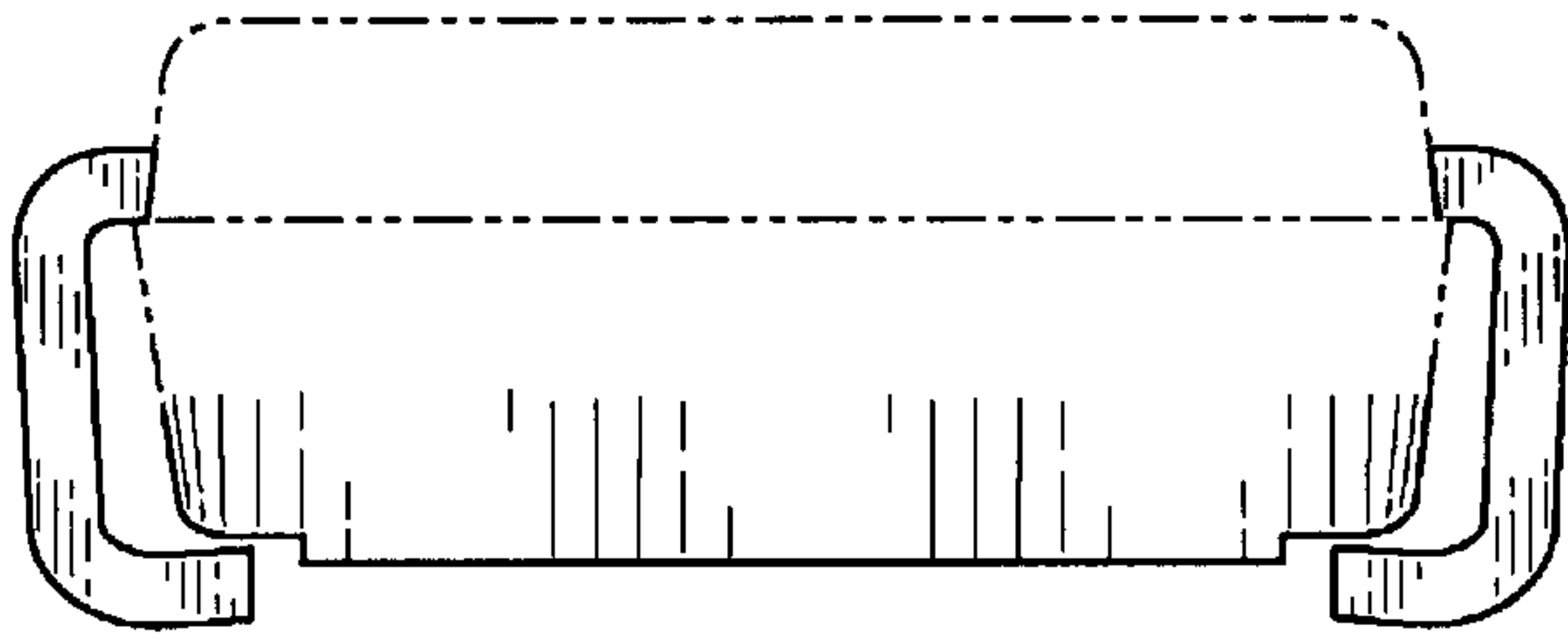


FIG. 4

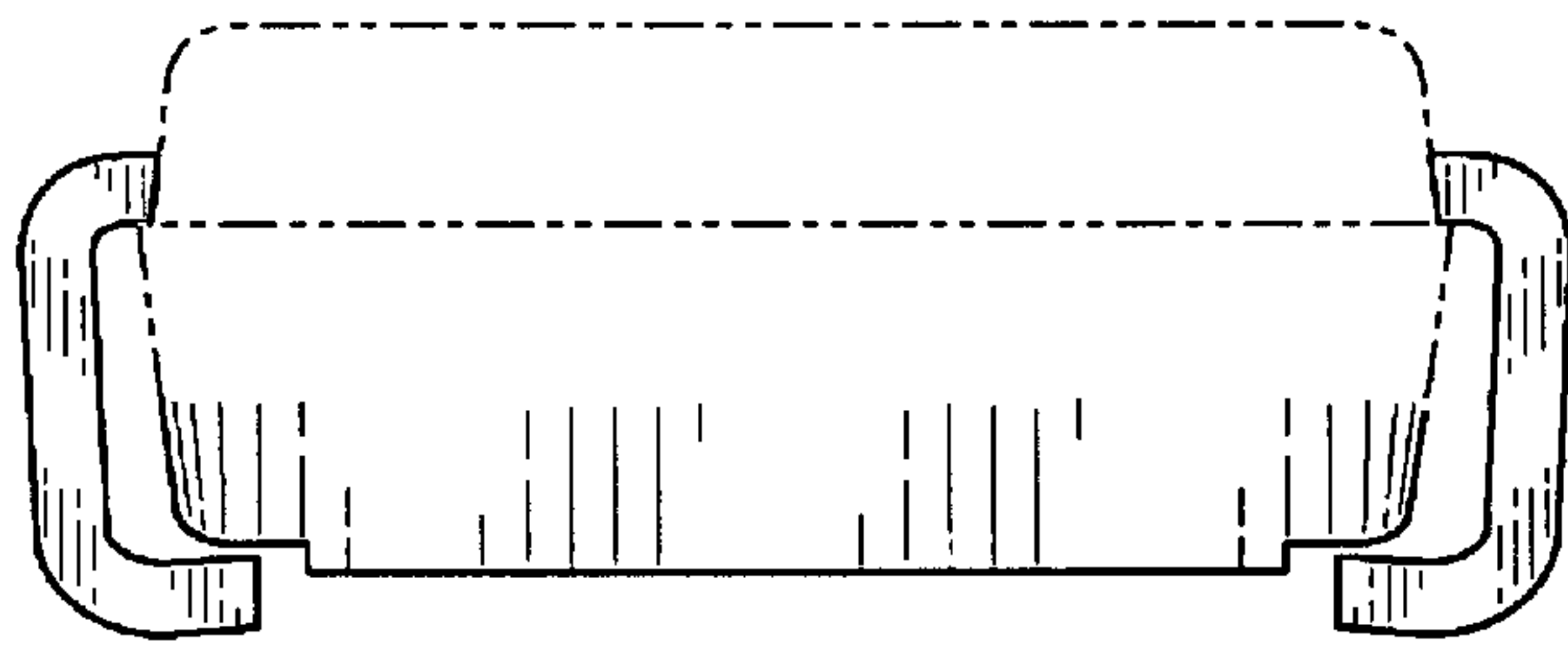


FIG. 5

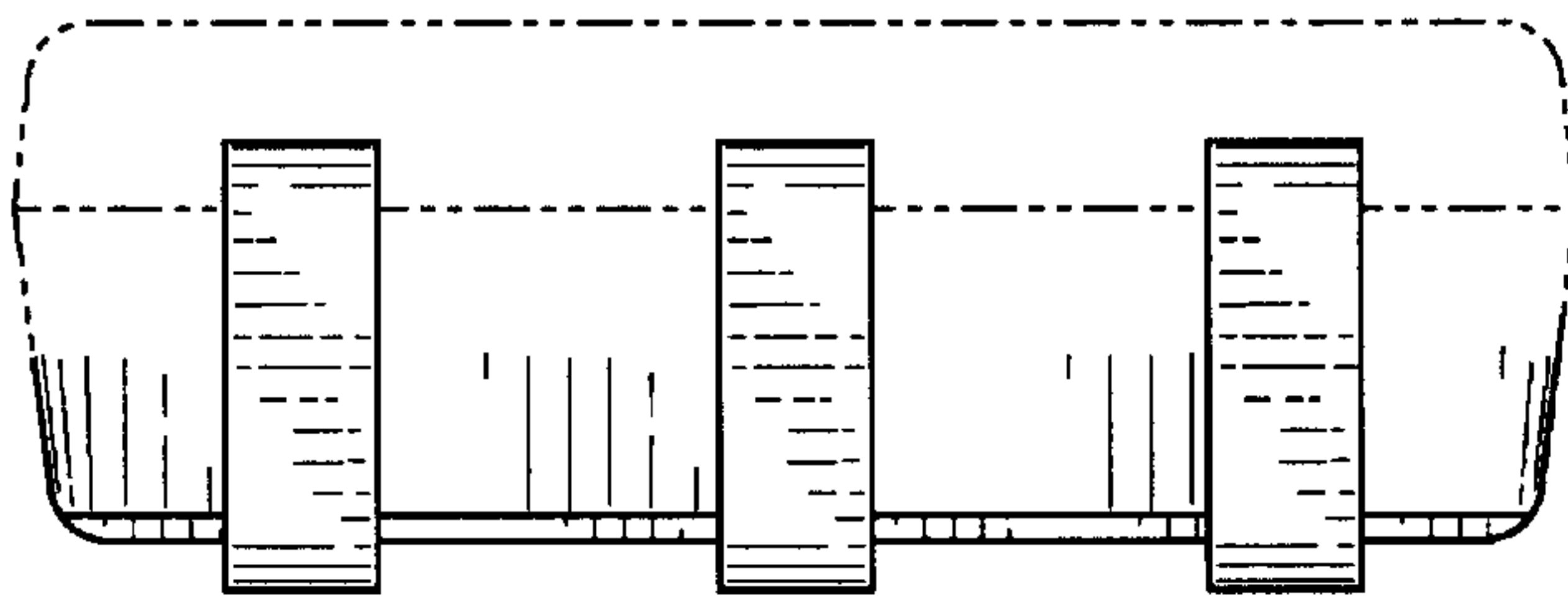


FIG. 6

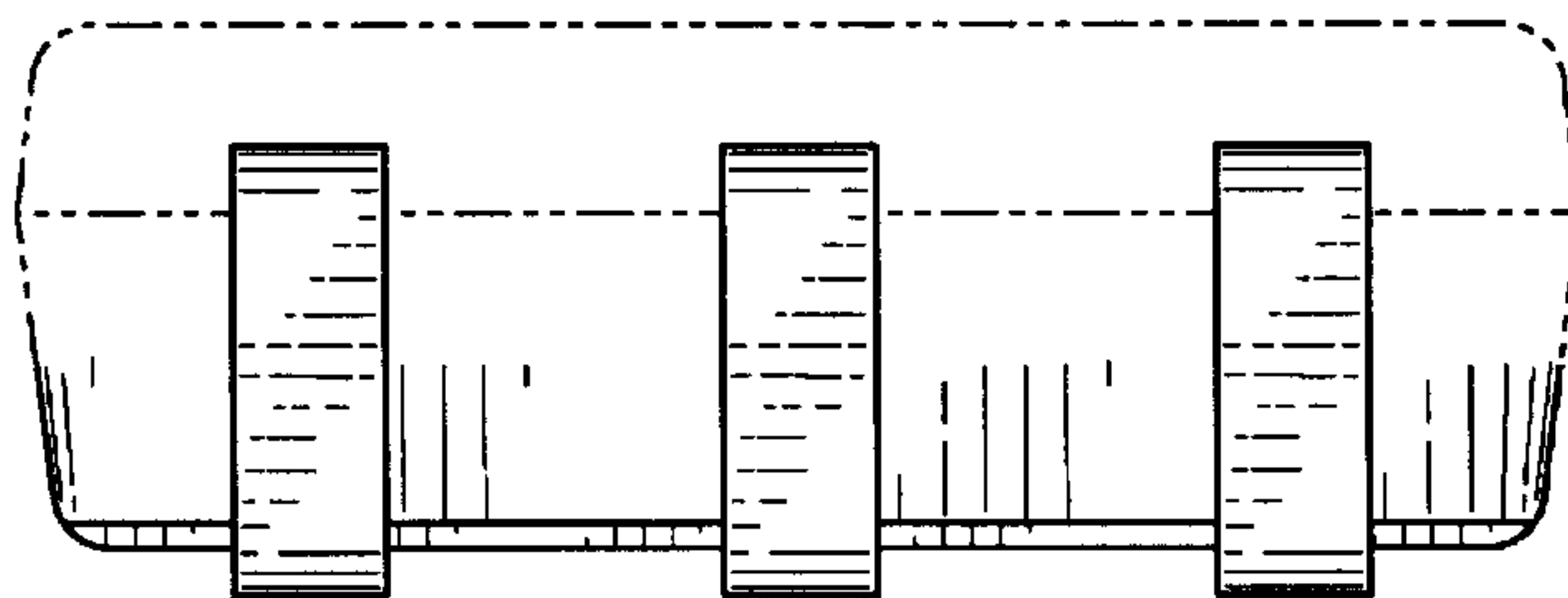


FIG. 7