



US00D461169S

(12) **United States Design Patent**  
**Onoda et al.**

(10) **Patent No.:** **US D461,169 S**

(45) **Date of Patent:** **\*\* Aug. 6, 2002**

(54) **FUSE**

(75) **Inventors:** **Shinya Onoda; Mitsuhiro Totsuka;**  
**Masahi Iwata; Norio Matsumura;**  
**Toshiharu Kudo, all of Shizuoka (JP)**

(73) **Assignee:** **Yazaki Corporation (JP)**

(\*\*) **Term:** **14 Years**

(21) **Appl. No.:** **29/150,400**

(22) **Filed:** **Nov. 16, 2001**

**Related U.S. Application Data**

(62) **Division of application No. 29/134,993, filed on Jan. 3,**  
**2001, now Pat. No. Des. 453,741.**

(30) **Foreign Application Priority Data**

Jul. 10, 2000 (JP) ..... 2000-18831

(51) **LOC (7) Cl. .... 13-03**

(52) **U.S. Cl. .... D13/161**

(58) **Field of Search .... D13/161; 337/186,**  
**337/227-228, 231, 234, 241, 266; 361/430;**  
**174/48**

(56)

**References Cited**

**U.S. PATENT DOCUMENTS**

4,499,447 A	2/1985	Greenberg
4,772,219 A	9/1988	Falchetti
D316,270 S	4/1991	Mason, III
D318,855 S	8/1991	Tsuji et al.
D372,223 S	7/1996	Hanazaki et al.
D375,940 S	11/1996	Shimizu et al.
D407,692 S	4/1999	Lin
D408,367 S	4/1999	Heinl

*Primary Examiner*—Brian N. Vinson

(74) *Attorney, Agent, or Firm*—SAIDMAN DesignLaw Group

(57)

**CLAIM**

The ornamental design for a fuse, as shown and described.

**DESCRIPTION**

FIG. 1 is a front perspective view of a fuse with a transparent top cover showing our new design; and, FIG. 2 is a rear perspective view thereof.

**1 Claim, 1 Drawing Sheet**

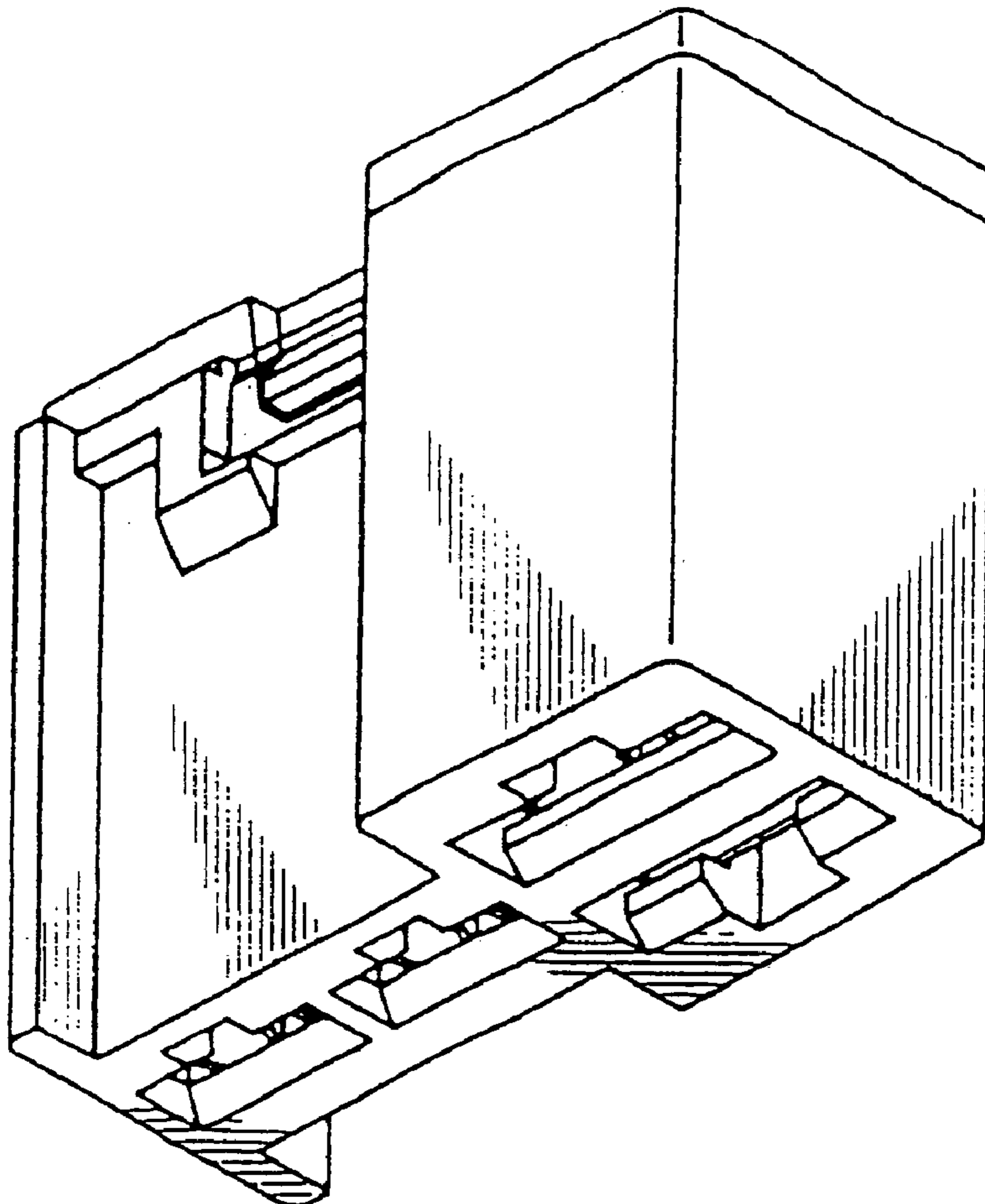


FIG. 1

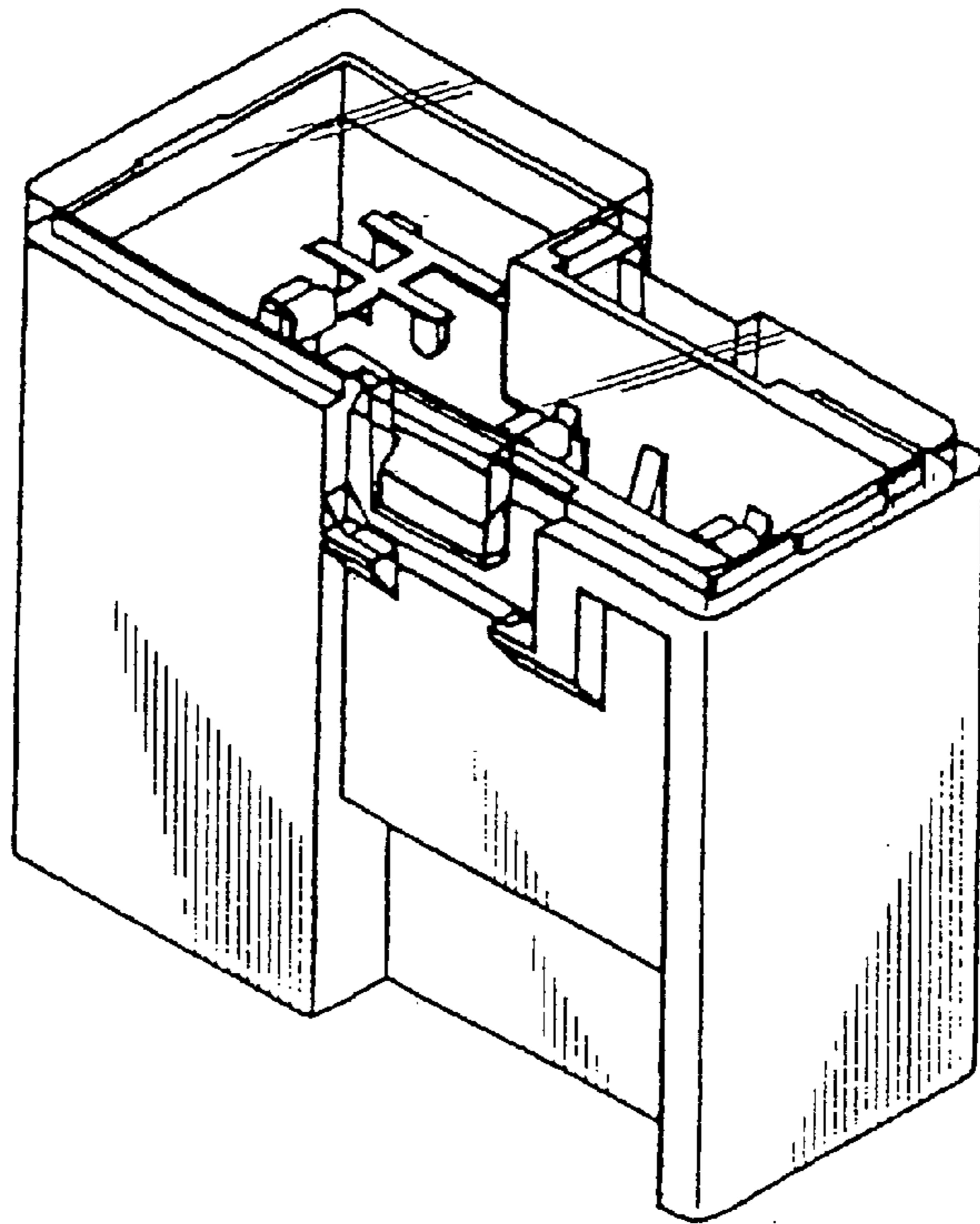


FIG. 2

