



US00D461168S

(12) **United States Design Patent**  
**Liao**

(10) **Patent No.:** **US D461,168 S**

(45) **Date of Patent:** **\*\* Aug. 6, 2002**

(54) **WIRE WINDING BOX**

(76) **Inventor:** **Sheng Hsin Liao**, No. 10, Alley 38,  
Lane 229, San Chun St., Shulin City,  
Taipei Hsien (TW)

(\*\*) **Term:** **14 Years**

(21) **Appl. No.:** **29/152,402**

(22) **Filed:** **Dec. 21, 2001**

(51) **LOC (7) Cl.** ..... **13-03**

(52) **U.S. Cl.** ..... **D13/155**

(58) **Field of Search** ..... D8/349, 354, 355,  
D8/356, 358, 360.1; D13/153, 154, 155;  
191/12.2 R, 12.4; 242/378.1, 385.1, 388,  
388.1, 397, 405; 379/438; 439/4, 501, 502

(56) **References Cited**

**U.S. PATENT DOCUMENTS**

4,322,045 A \* 3/1982 Tellier ..... 242/388.1  
D352,928 S \* 11/1994 Ford ..... D13/153  
D363,461 S \* 10/1995 Duckman et al. .... D13/154  
5,732,898 A \* 3/1998 Odessky et al. .... 191/12.2 R  
5,819,893 A \* 10/1998 Wagner et al. .... 191/12.4

D430,111 S \* 8/2000 Liao ..... D13/154

6,282,288 B1 \* 8/2001 Liao ..... 379/438

D451,075 S \* 11/2001 Hwang ..... D13/154

6,328,243 B1 \* 12/2001 Yamamoto ..... 191/12.2 R

\* cited by examiner

*Primary Examiner*—Doris V. Coles

*Assistant Examiner*—Elizabeth A. Albert

(74) *Attorney, Agent, or Firm*—Rosenberg, Klein & Lee

(57) **CLAIM**

The ornamental design for a “wire winding box”, as shown and described.

**DESCRIPTION**

FIG. 1 is the perspective view of a “wire winding box” showing my new design;

FIG. 2 is the front view thereof;

FIG. 3 is the rear view thereof;

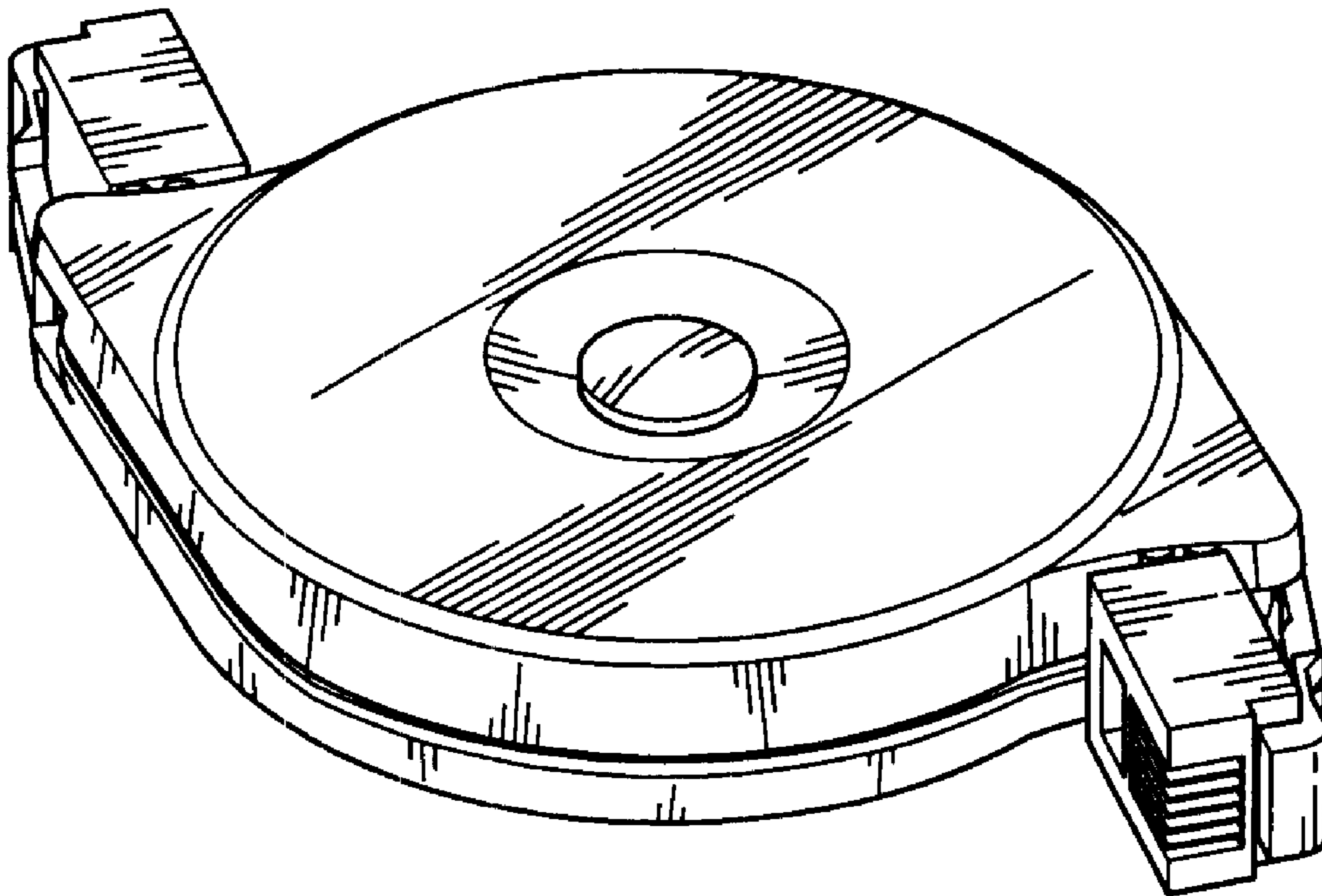
FIG. 4 is the left side view thereof

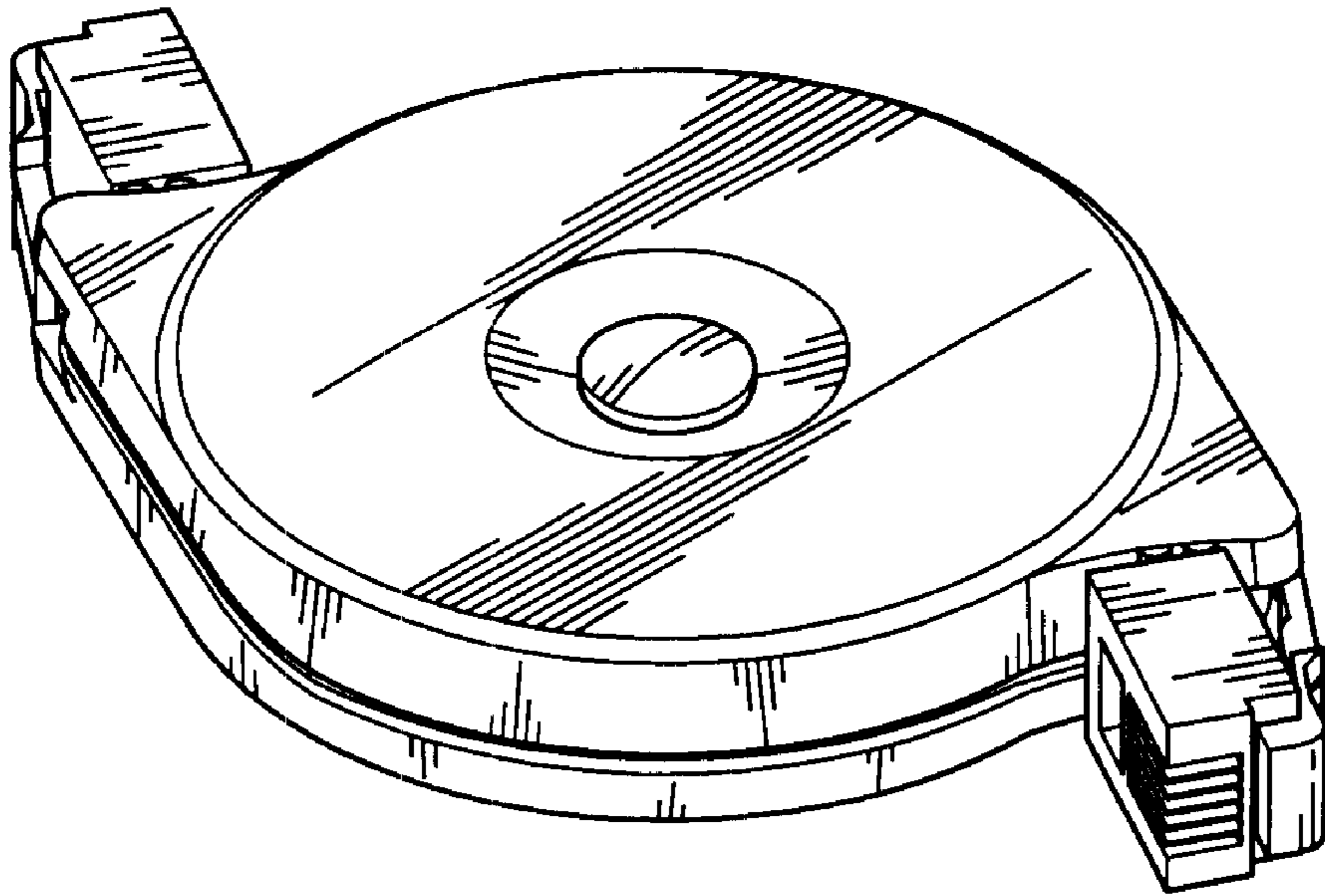
FIG. 5 is the right side view thereof

FIG. 6 is the top view thereof; and,

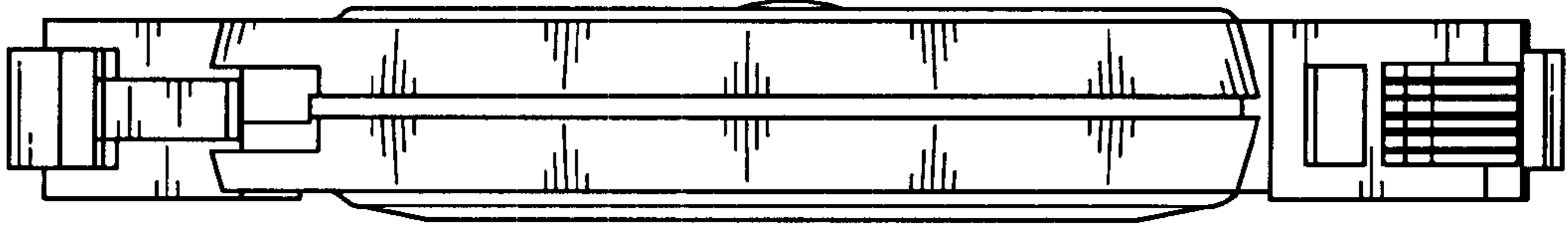
FIG. 7 is the bottom view thereof.

**1 Claim, 4 Drawing Sheets**

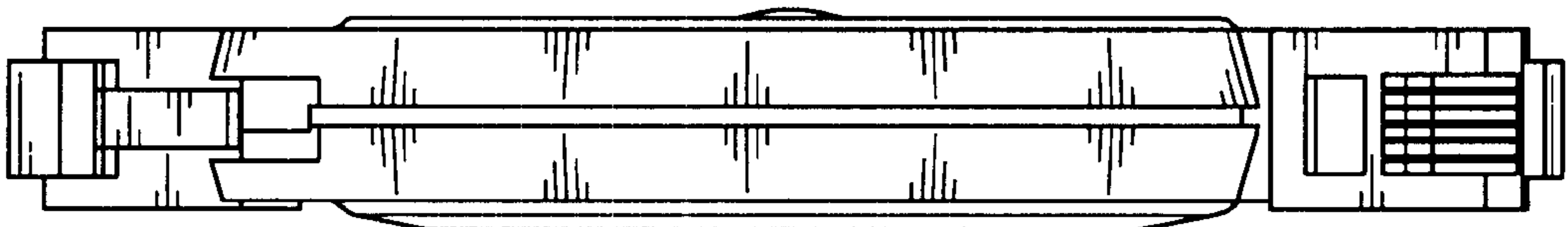




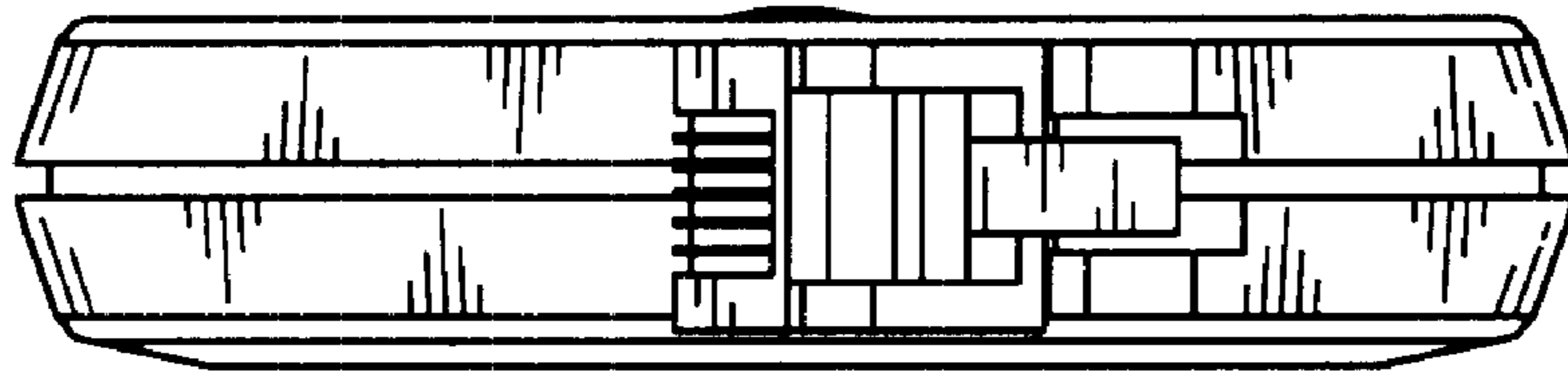
***FIG. 1***



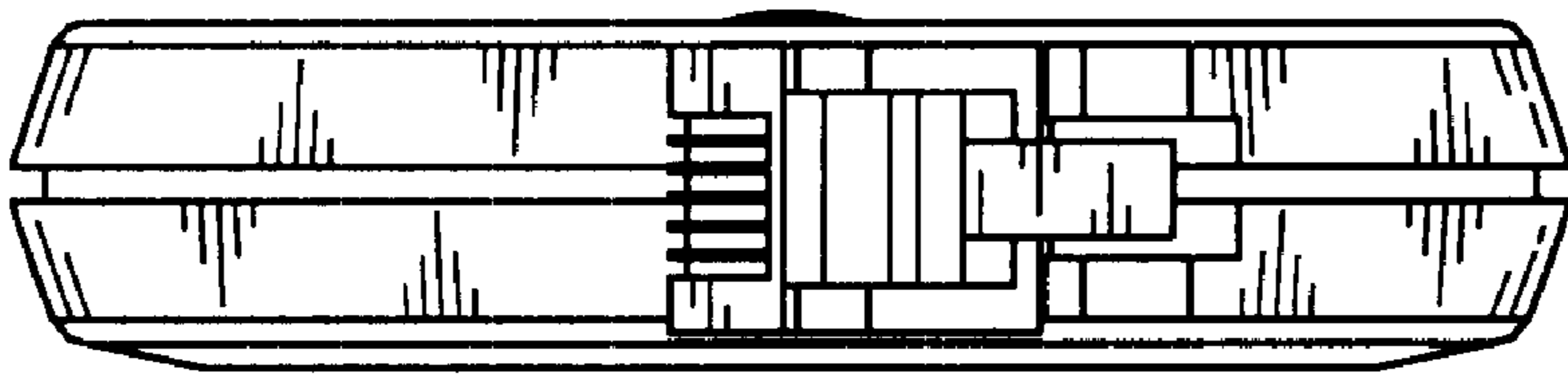
***FIG. 2***



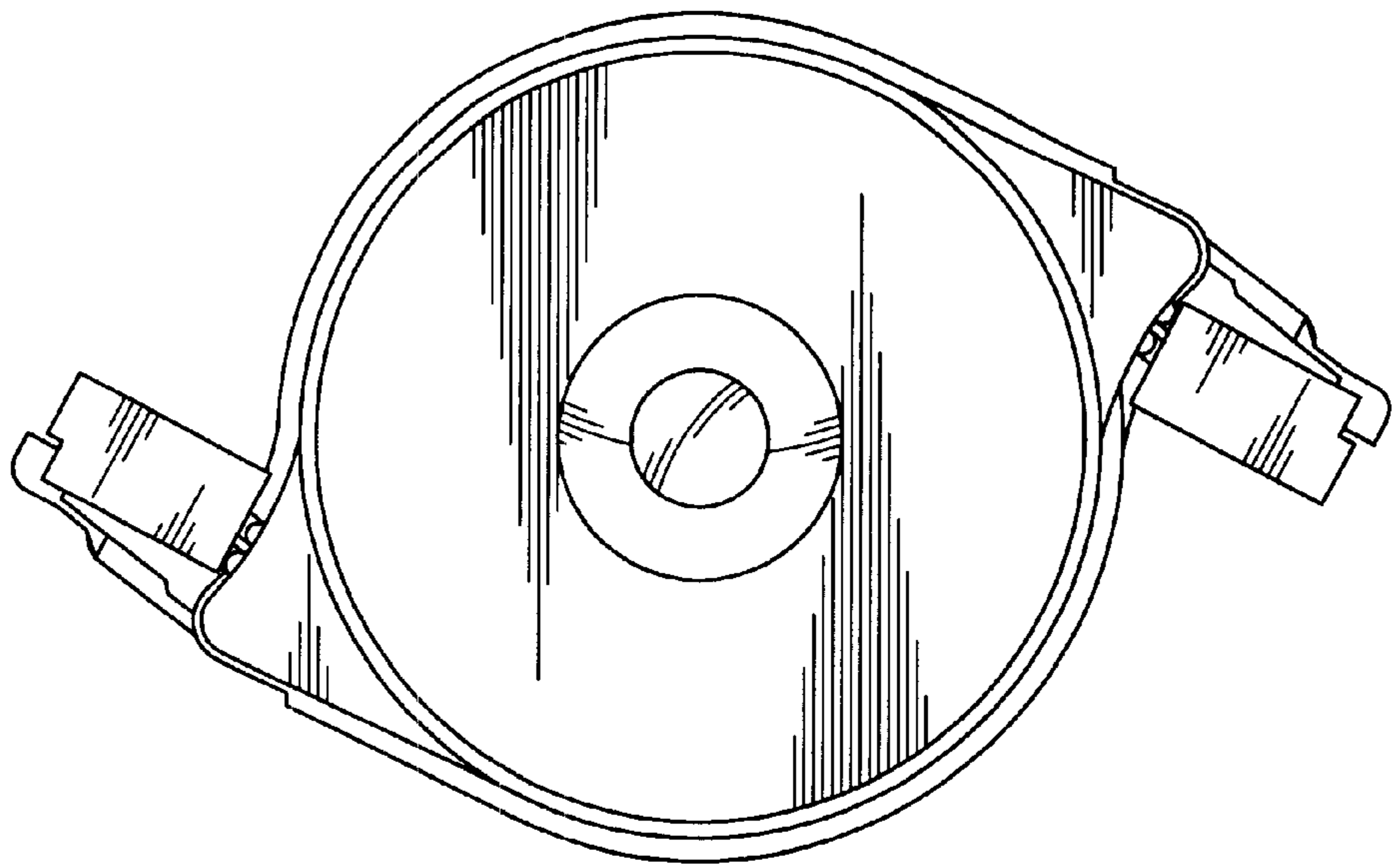
***FIG. 3***



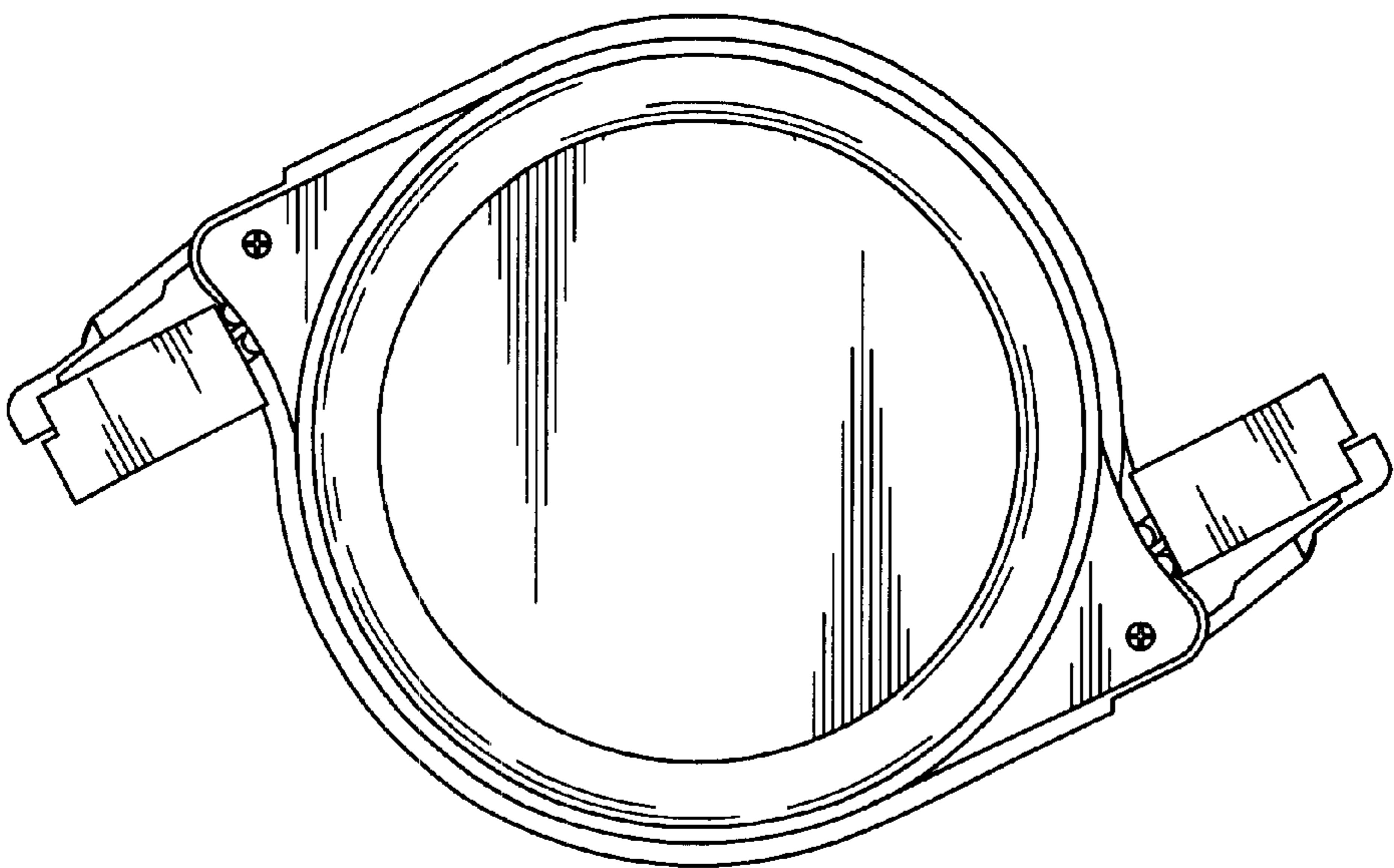
***FIG. 4***



***FIG. 5***



**FIG. 6**



**FIG. 7**