



US00D461163S

(12) **United States Design Patent**  
**Hirano et al.**

(10) **Patent No.:** **US D461,163 S**

(45) **Date of Patent:** **\*\* Aug. 6, 2002**

(54) **RECHARGEABLE BATTERY**

(75) Inventors: **Shinpei Hirano; Takuya Niitsu**, both of Tokyo; **Toshiaki Ueno**, Fukushima; **Atsushi Mamiya**, Kanagawa, all of (JP)

(73) Assignee: **Sony Corporation**, Tokyo (JP)

(\*\*) Term: **14 Years**

(21) Appl. No.: **29/144,556**

(22) Filed: **Jul. 6, 2001**

(51) **LOC (7) Cl.** ..... **13-02**

(52) **U.S. Cl.** ..... **D13/103**

(58) **Field of Search** ..... D13/103; 429/96-100, 429/159, 163, 176; 361/683

(56) **References Cited**

**U.S. PATENT DOCUMENTS**

D329,634 S	*	9/1992	Mizusugi et al.	.....	D13/103
D346,581 S	*	5/1994	Tattari	.....	D13/103
D349,484 S	*	8/1994	Kuzumoto et al.	.....	D13/103
D385,251 S	*	10/1997	Friedli et al.	.....	D13/103
D406,561 S		3/1999	Goto		
D413,300 S	*	8/1999	Igarashi	.....	D13/103
D415,466 S	*	10/1999	Kawa	.....	D13/103
D425,015 S	*	5/2000	Iwamoto	.....	D13/103
D431,227 S		9/2000	Ogasawara		

D431,808 S		10/2000	Ogasawara		
6,233,141 B1	*	5/2001	Lee et al.	.....	361/683
D447,113 S	*	8/2001	Yamamoto	.....	D13/103

**OTHER PUBLICATIONS**

Catalog, "Raccoon", Honda Corporation, (Feb. 2000).

Catalog, "Raccoon", Honda Corporation, (Jun. 1998).

\* cited by examiner

*Primary Examiner*—Joel Sincavage

(74) *Attorney, Agent, or Firm*—Rader, Fishman & Grauer, PLLC

(57) **CLAIM**

The ornamental design for a rechargeable battery, as shown and described.

**DESCRIPTION**

FIG. 1 is a perspective view of a rechargeable battery showing our new design;

FIG. 2 is a top plan view thereof;

FIG. 3 is a bottom plan view thereof;

FIG. 4 is a front elevational view thereof;

FIG. 5 is a rear elevational view thereof;

FIG. 6 is a left side elevational view thereof; and,

FIG. 7 is a right side elevational view thereof.

**1 Claim, 4 Drawing Sheets**

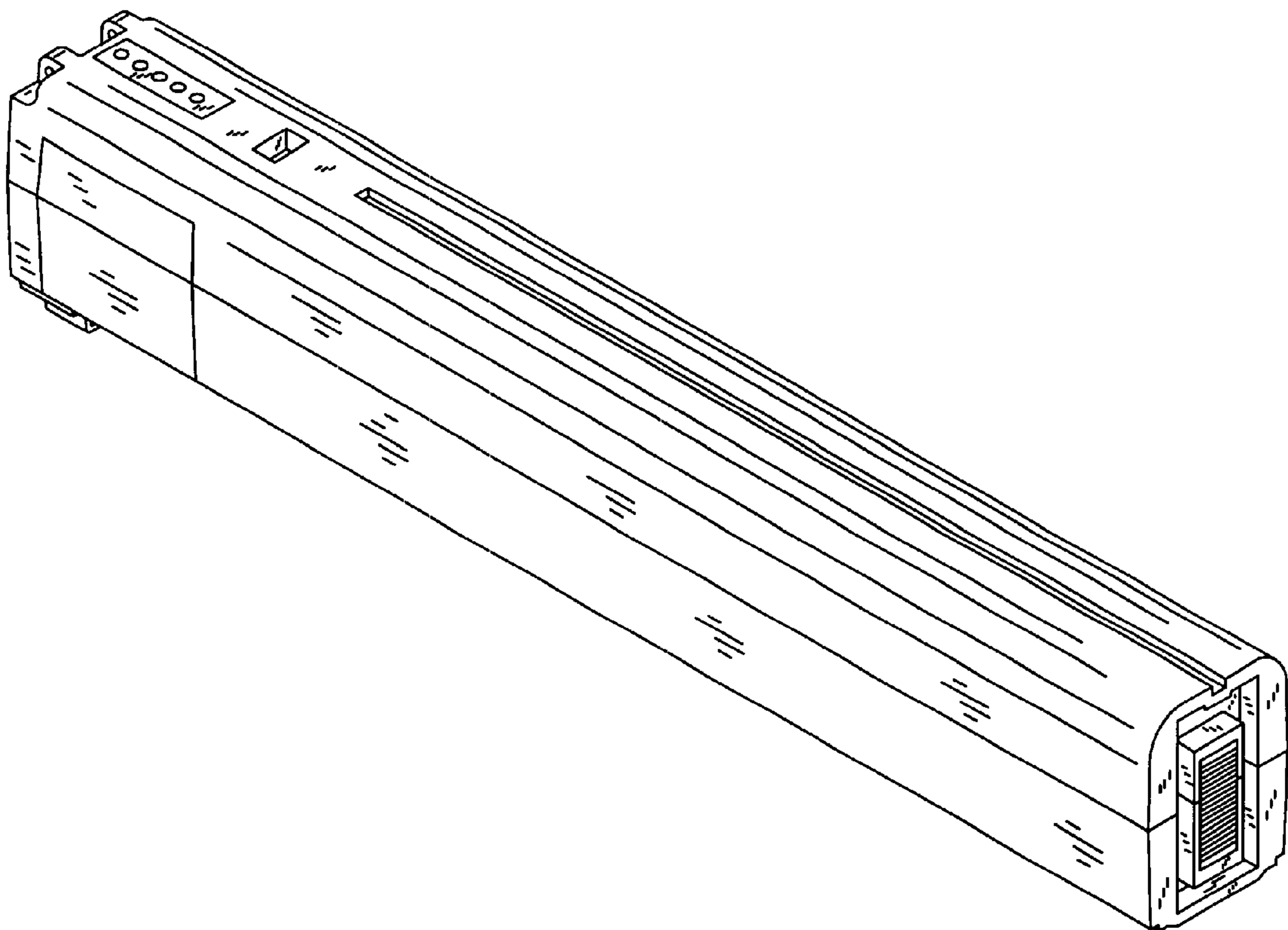


FIG. 1

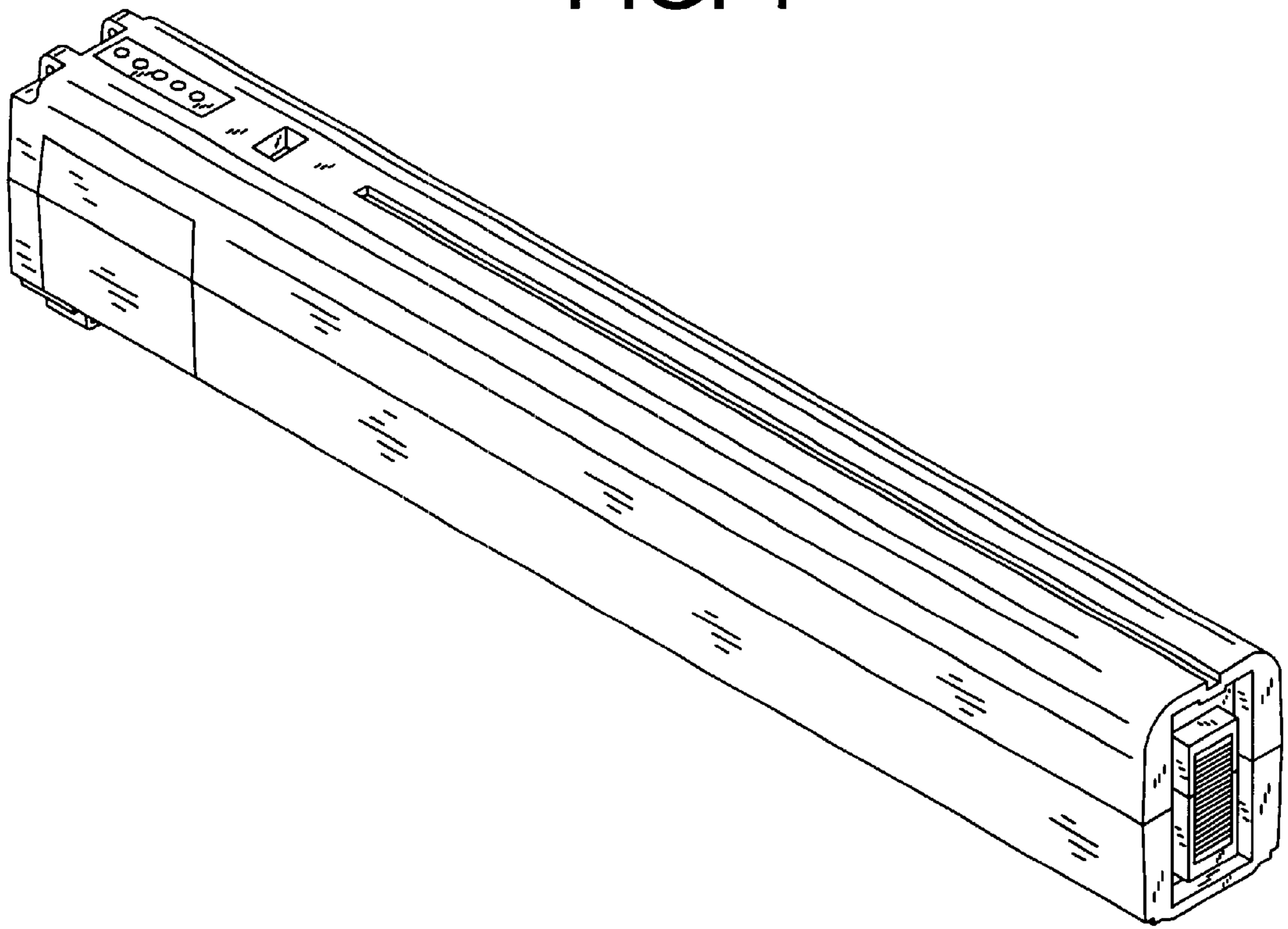


FIG. 2

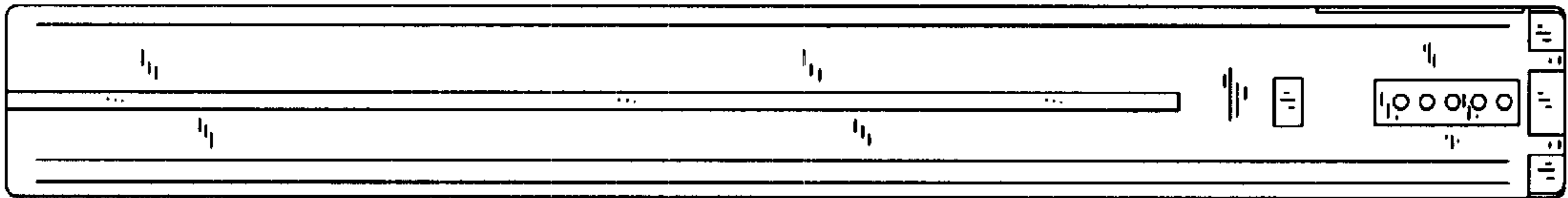
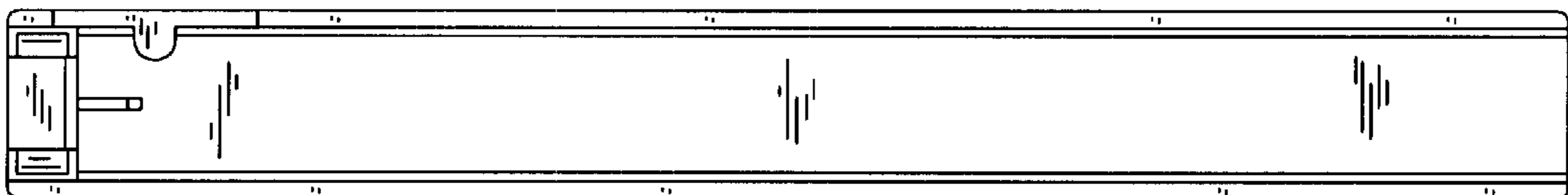
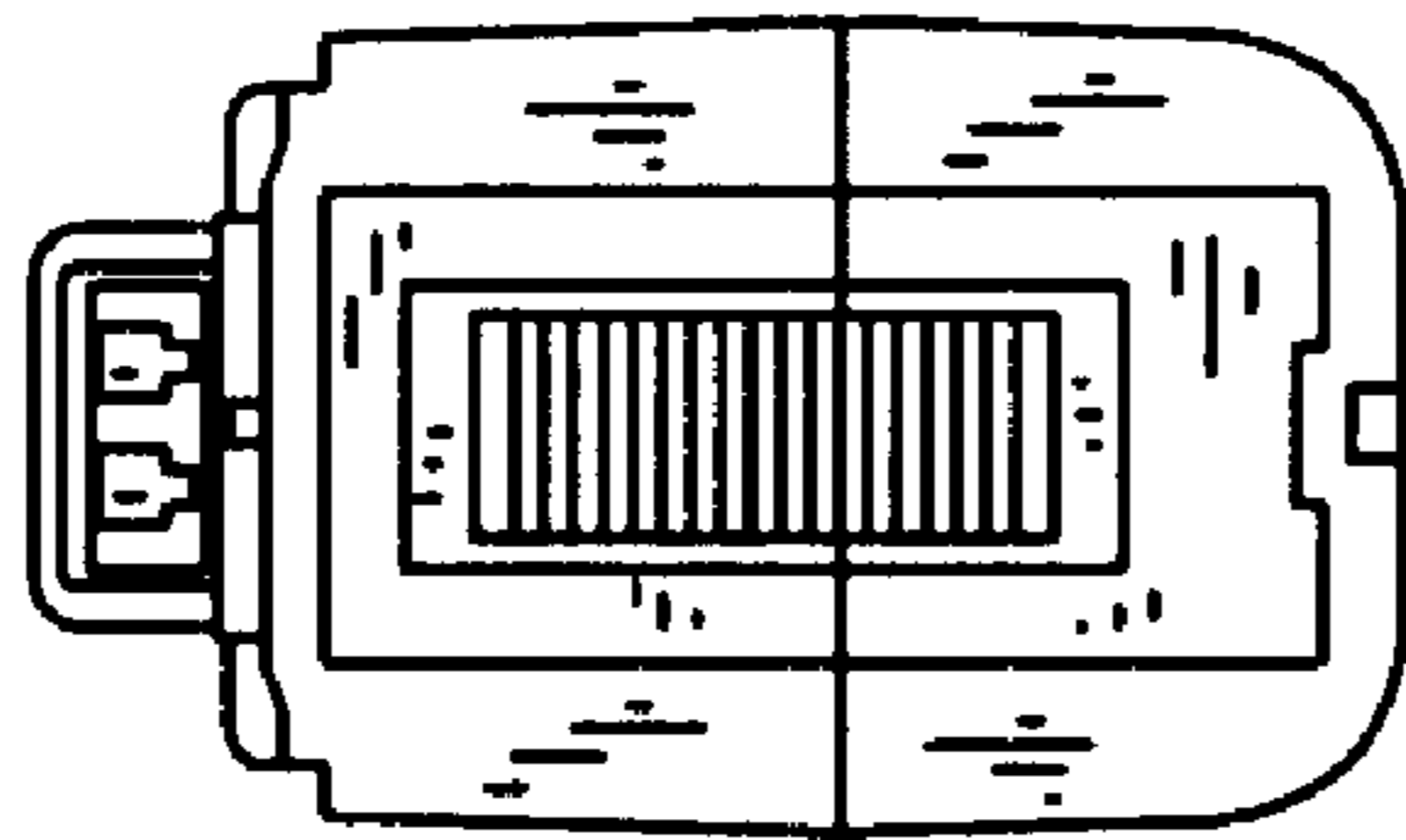


FIG. 3



# FIG. 4



# FIG. 5

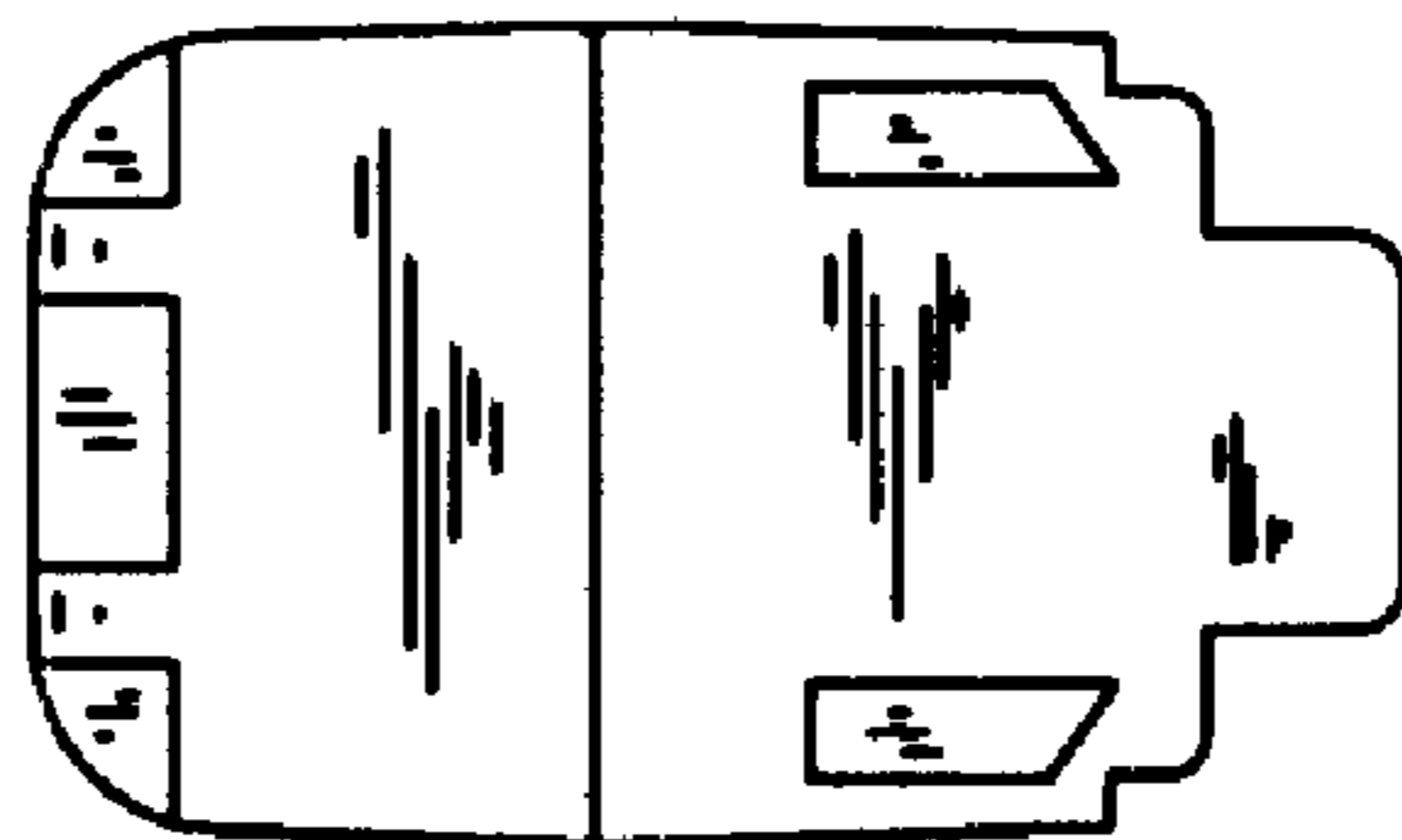


FIG. 6

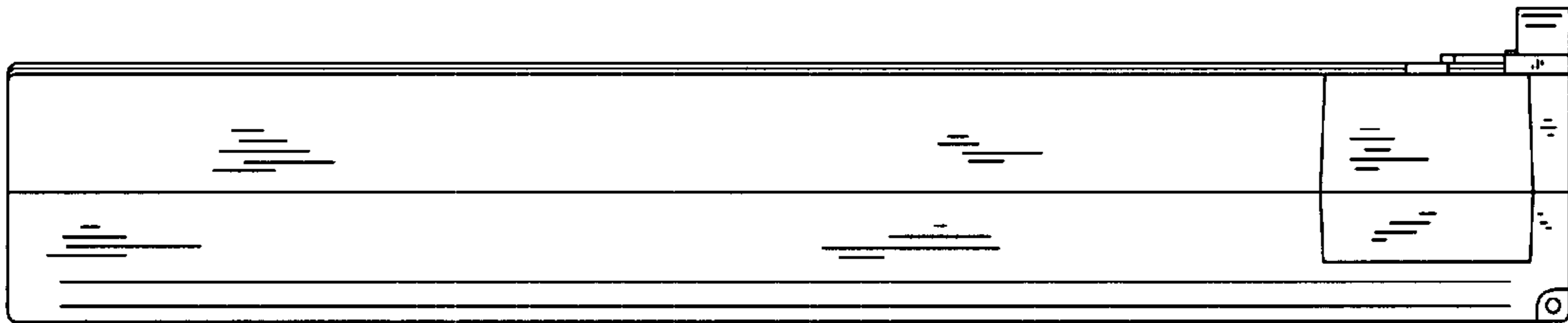


FIG. 7

