



US00D461160S

(12) **United States Design Patent** (10) **Patent No.:** **US D461,160 S**
Araki (45) **Date of Patent:** **** Aug. 6, 2002**

(54) **EXTENDABLE TOP HOOD AND CONTAINER FOR A BICYCLE**
 (75) Inventor: **Fusachika Araki**, Tokyo (JP)
 (73) Assignee: **A-Mon Co., Ltd.**, Tokyo (JP)
 (**) Term: **14 Years**

(21) Appl. No.: **29/135,760**
 (22) Filed: **Jan. 19, 2001**

(30) **Foreign Application Priority Data**
 Jul. 24, 2000 (JP) 2000-020238

(51) **LOC (7) Cl.** **12-16**
 (52) **U.S. Cl.** **D12/402; D12/407**
 (58) **Field of Search** D12/402, 111,
 D12/112; 296/78.1, 100.15, 100.16, 210,
 213; 280/288.4, 281.1, 288.1-288.3

(56) **References Cited**
U.S. PATENT DOCUMENTS
 4,045,077 A * 8/1977 DeVone 296/78.1
 D245,903 S * 9/1977 Harris, Jr. D12/402
 6,227,557 B1 * 5/2001 Perret 280/288.4

* cited by examiner

Primary Examiner—Alan P. Douglas
Assistant Examiner—Linda Brooks
 (74) *Attorney, Agent, or Firm*—Ronald R. Snider; Snider & Associates

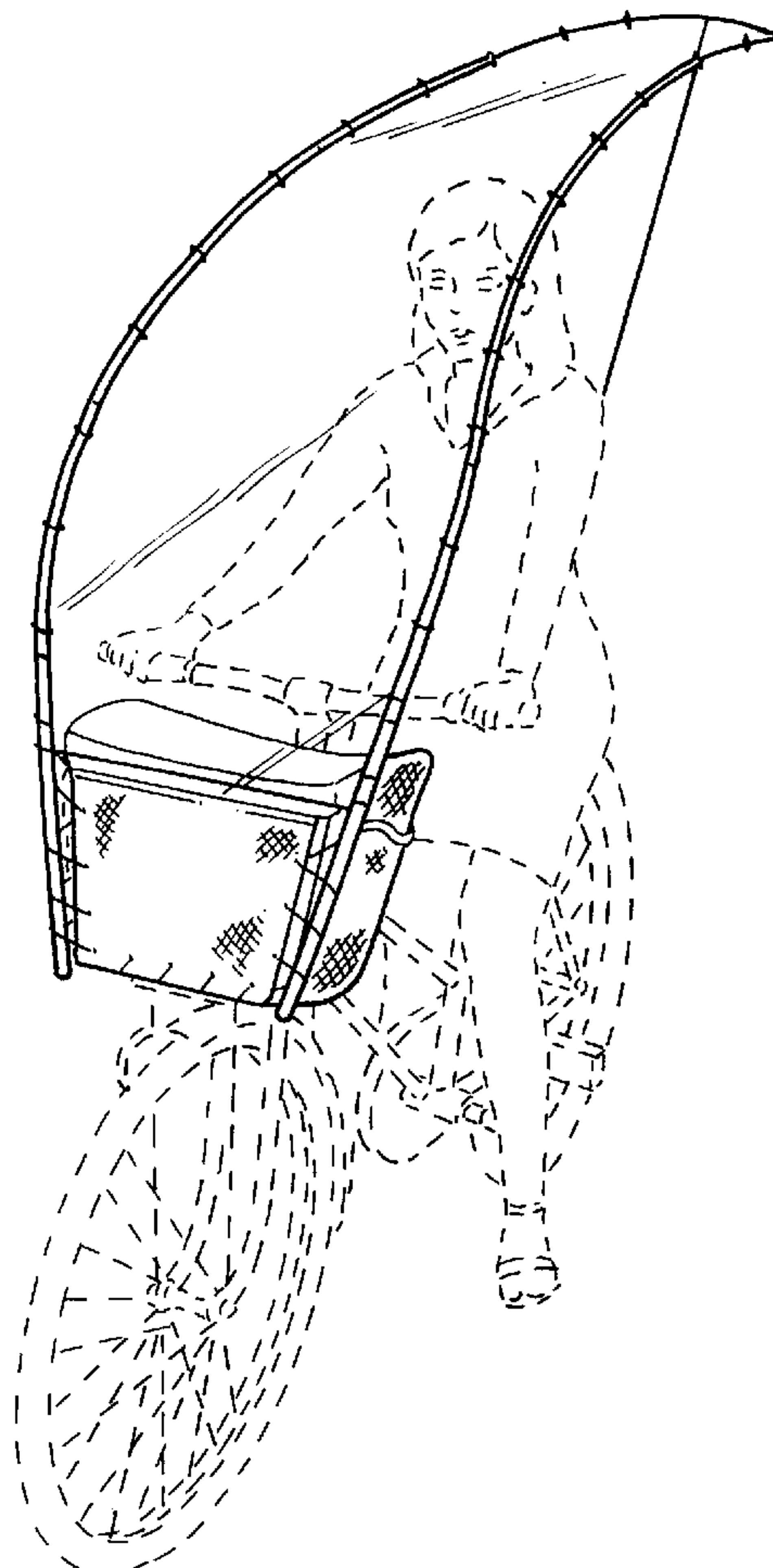
(57) **CLAIM**

The ornamental design for an extendable top hood and container for a bicycle, as shown and described.

DESCRIPTION

FIG. 1 is a perspective view of the extendable top hood and container for a bicycle.
 FIG. 2 is a front view of the extendable top hood and container for a bicycle.
 FIG. 3 is a plan view of the extendable top hood and container for a bicycle shown in non-use position and with the container removed for clarity.
 FIG. 4 is a bottom view of the extendable top hood and container for a bicycle of FIG. 3; and,
 FIG. 5 is a right side view of the extendable top hood and container for a bicycle of FIG. 3.
 The broken lines shown are for illustrative purposes only and form no part of the claimed design.

1 Claim, 4 Drawing Sheets



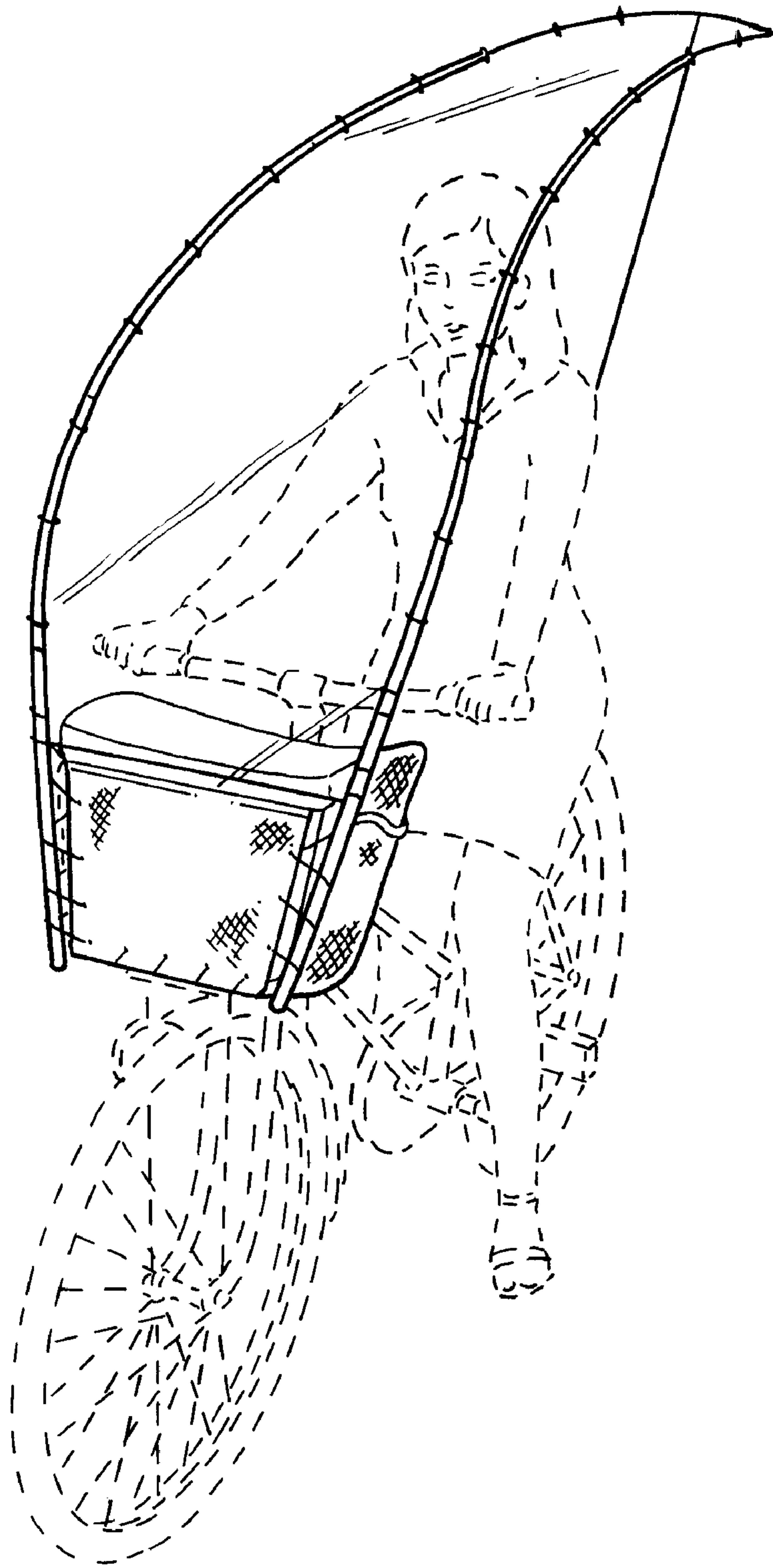


FIG. 1

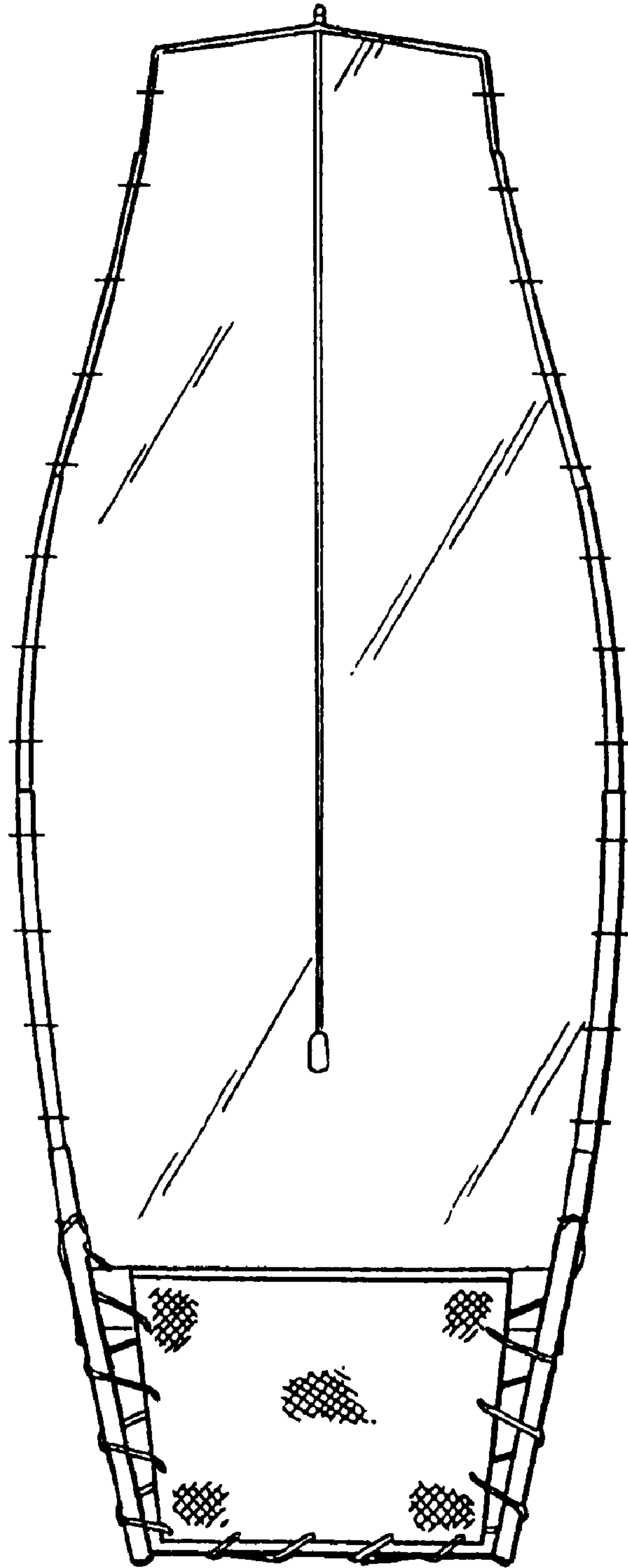


FIG. 2

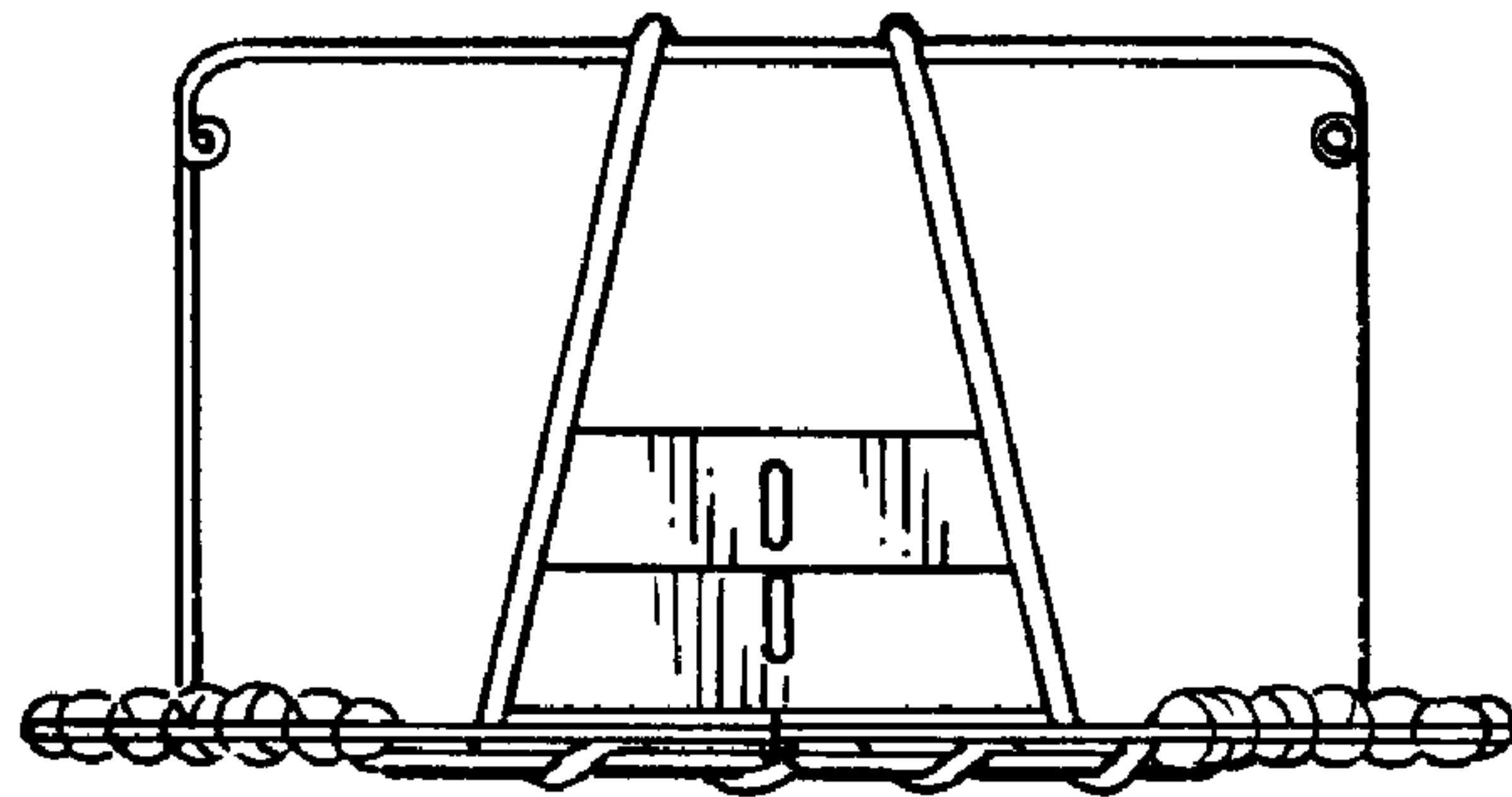


FIG. 3

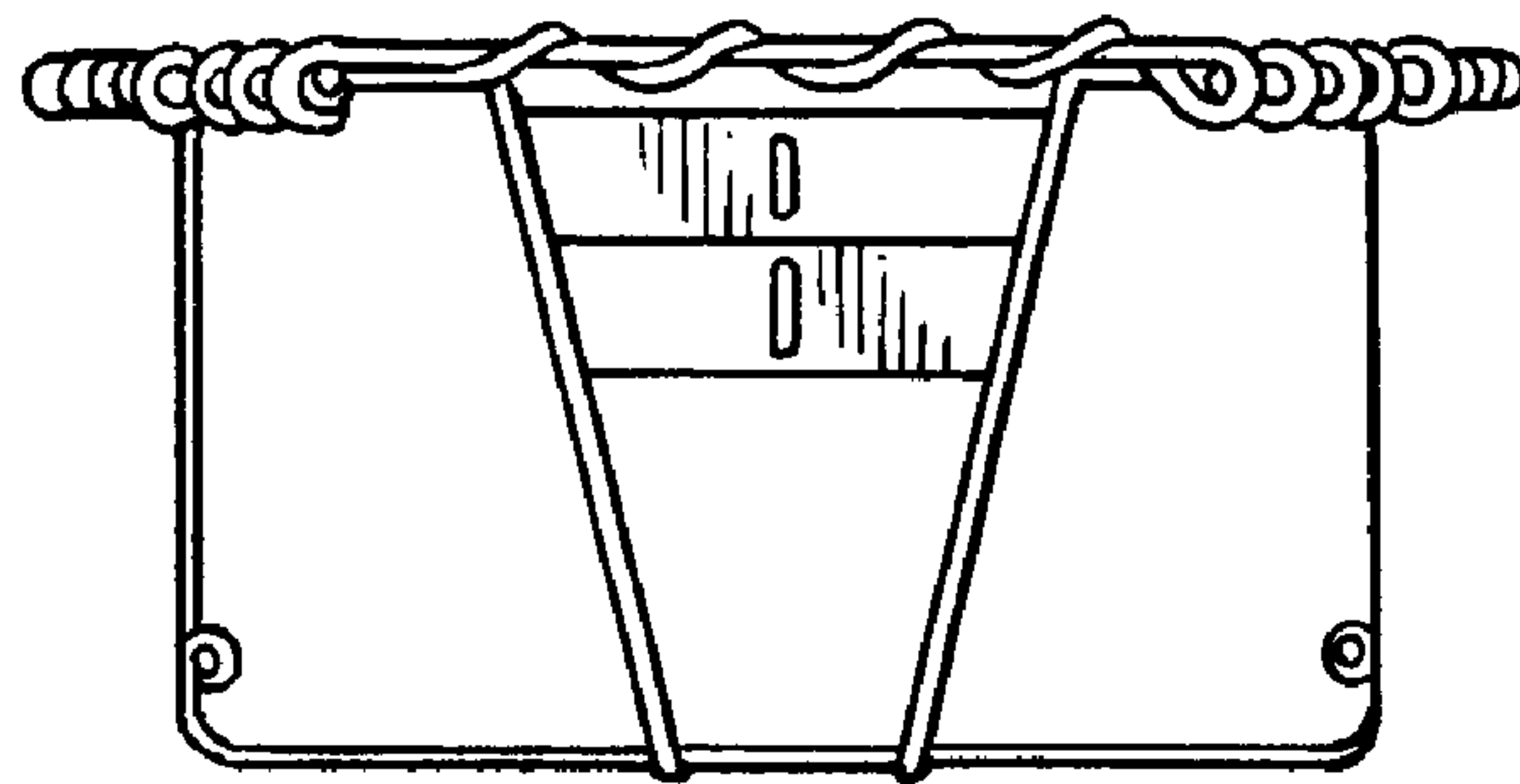


FIG. 4

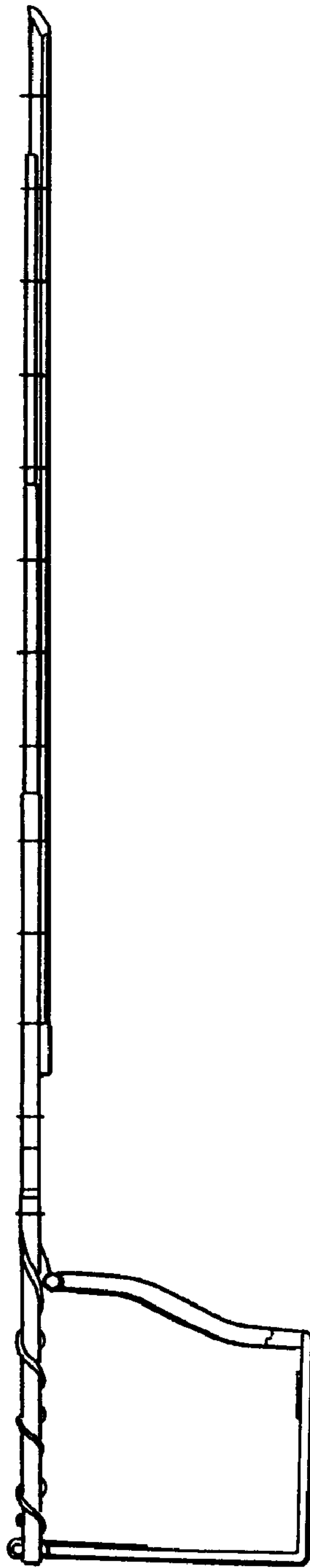


FIG. 5