



US00D461159S

(12) **United States Design Patent**  
**Miralles et al.**

(10) **Patent No.:** **US D461,159 S**

(45) **Date of Patent:** **\*\* Aug. 6, 2002**

(54) **FOLDABLE WING AIRCRAFT**

(75) Inventors: **Carlos T. Miralles**, Tujunga; **Douglas W. Proffitt**, Simi Valley; **Kyle E. Swanson**, Thousand Oaks, all of CA (US)

(73) Assignee: **Aerovironment Inc.**, Monrovia, CA (US)

(\*\*) Term: **14 Years**

(21) Appl. No.: **29/145,314**

(22) Filed: **Jul. 20, 2001**

(51) **LOC (7) Cl.** ..... **12-07**

(52) **U.S. Cl.** ..... **D12/319**

(58) **Field of Search** ..... **D12/319-345;**  
**244/13, 36, 37, 45 A, 45 R**

(56) **References Cited**

**U.S. PATENT DOCUMENTS**

D437,284 S \* 2/2001 Knutson et al. .... D12/319  
D446,182 S \* 8/2001 Adam, Jr. et al. .... D12/319

\* cited by examiner

*Primary Examiner*—Marcus A. Jackson

(74) *Attorney, Agent, or Firm*—William W. Haefliger

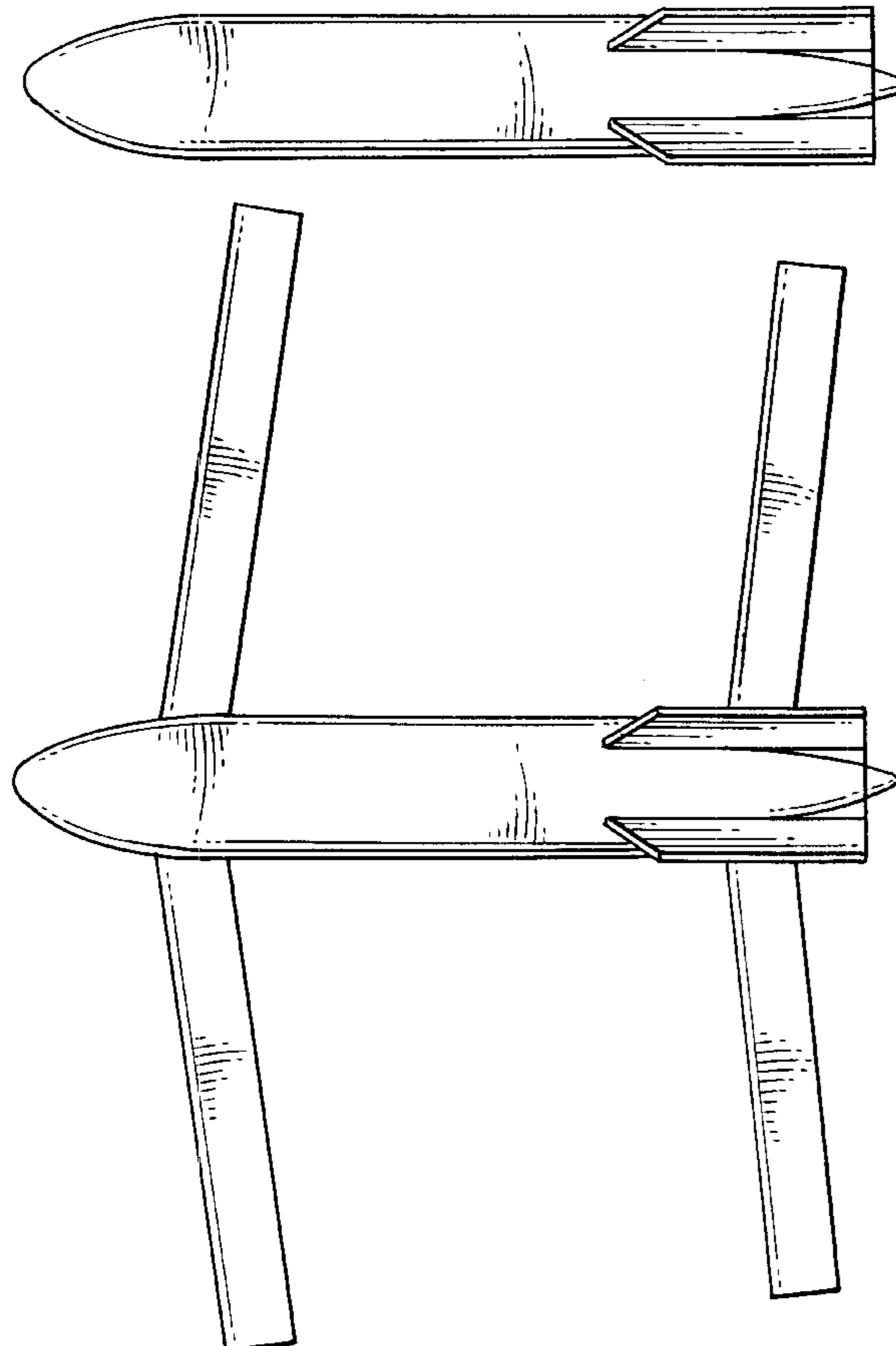
(57) **CLAIM**

The ornamental design for a folding wing aircraft, as shown and described.

**DESCRIPTION**

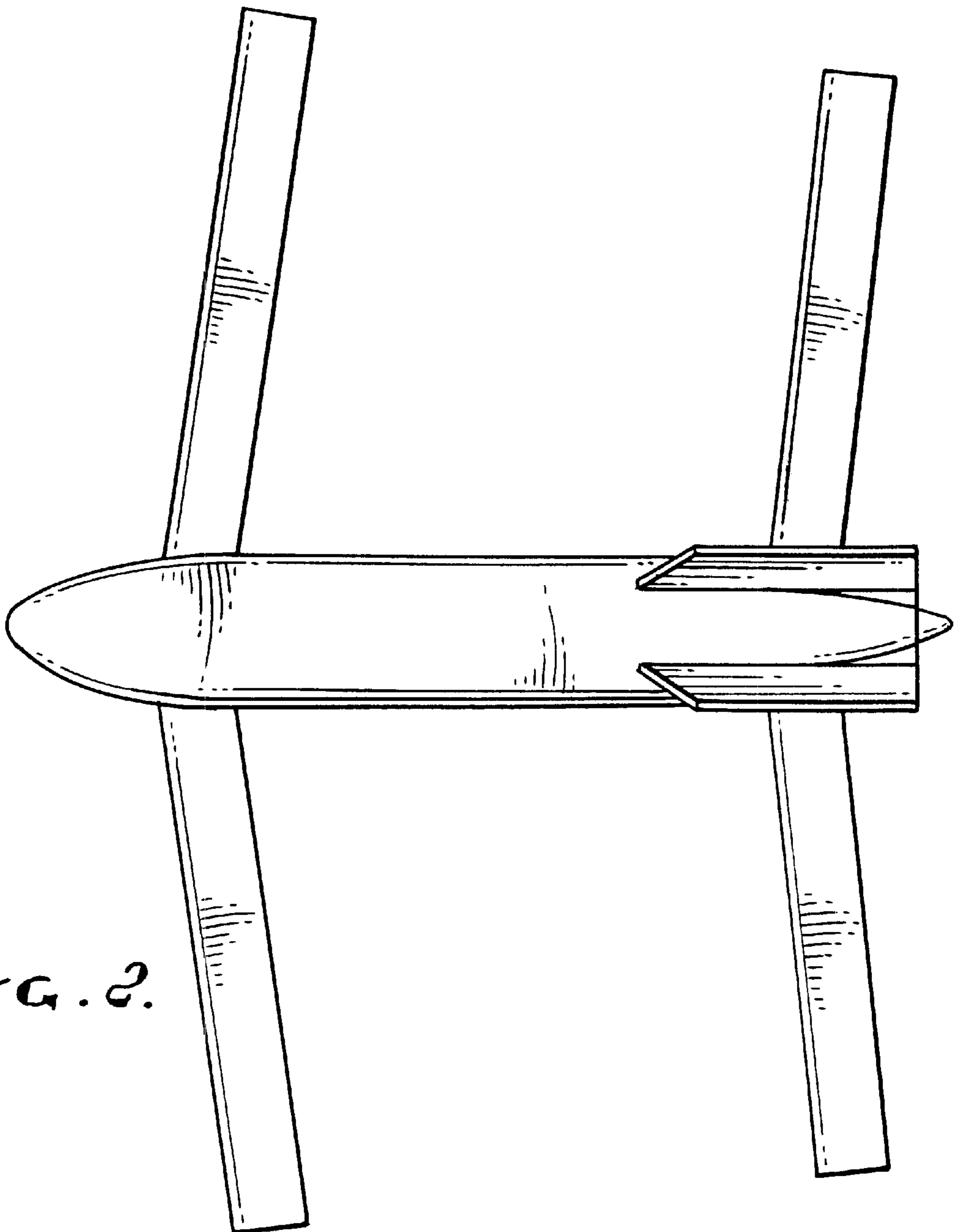
FIG. 1 is a top plan view of the foldable wing aircraft, with wings folded;  
FIG. 2 is a top plan view of the FIG. 1 aircraft, with wings extended;  
FIG. 3 is a bottom plan view of the FIG. 1 aircraft, with wings extended;  
FIG. 4 is a bottom plan view of the FIG. 1 aircraft, with wings extended;  
FIG. 5 is a front elevation view of the FIG. 1 aircraft, with wings folded;  
FIG. 6 is a front elevation of the FIG. 1 aircraft, with wings extended;  
FIG. 7 is a rear elevation view of the FIG. 1 aircraft, with wings folded;  
FIG. 8 is a rear elevation view of the FIG. 1 aircraft, with wings extended;  
FIG. 9 is a left side view of the FIG. 1 aircraft, with wings folded, the right side elevation being the same; and  
FIG. 10 is a left side view of the FIG. 1 aircraft, with wings extended, the right side elevation being the same.

**1 Claim, 4 Drawing Sheets**





*FIG. 1.*



*FIG. 2.*

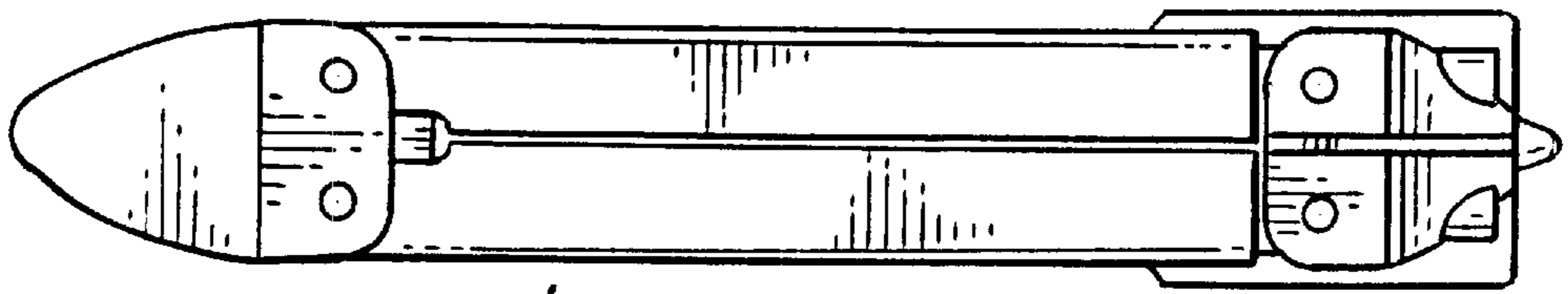


FIG. 3.

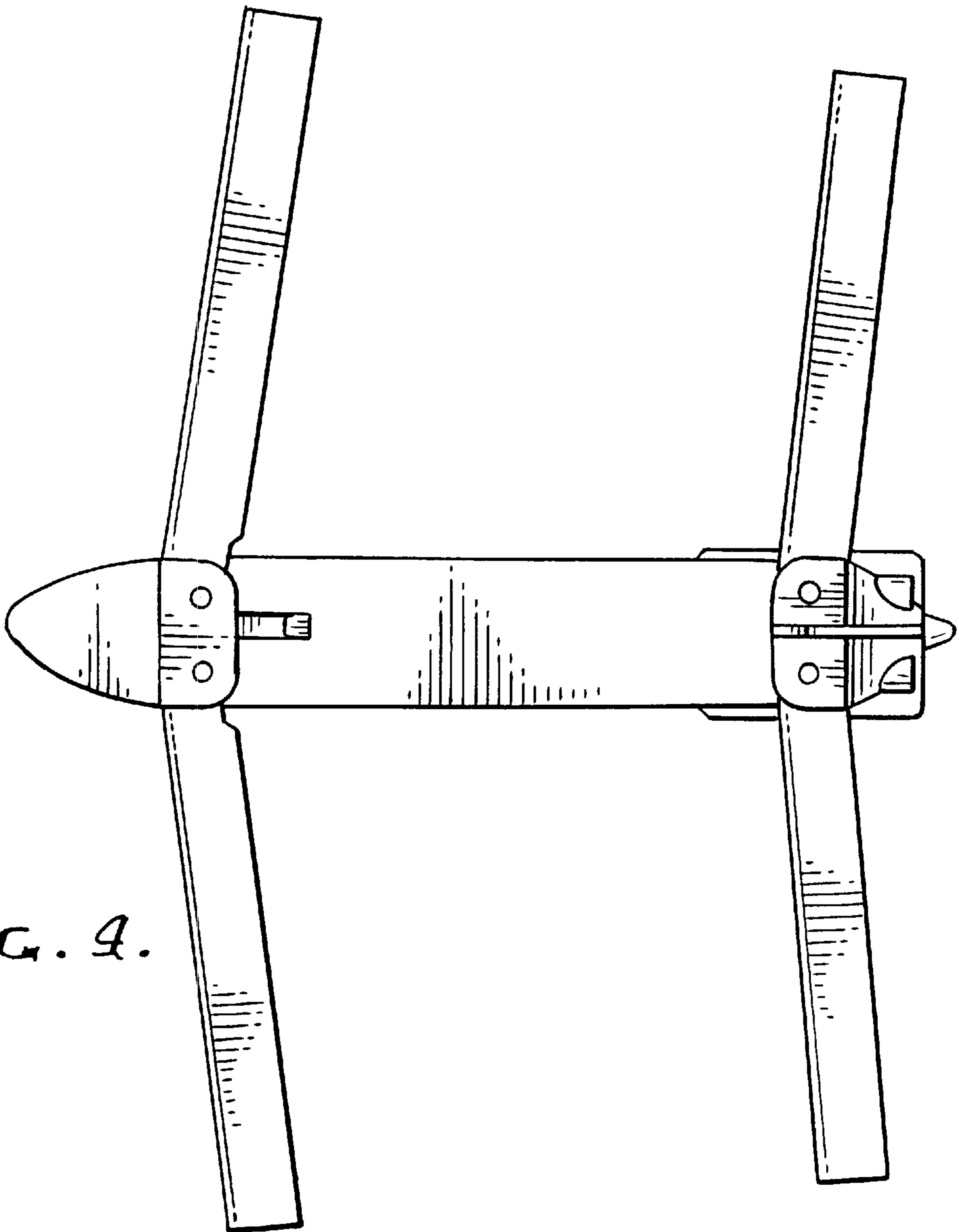


FIG. 4.

FIG. 5.

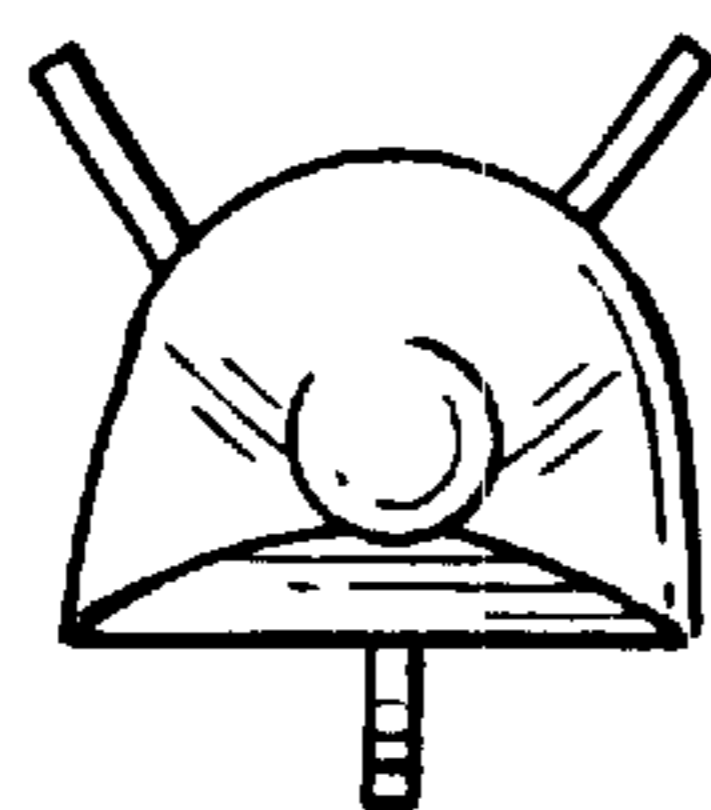


FIG. 7.

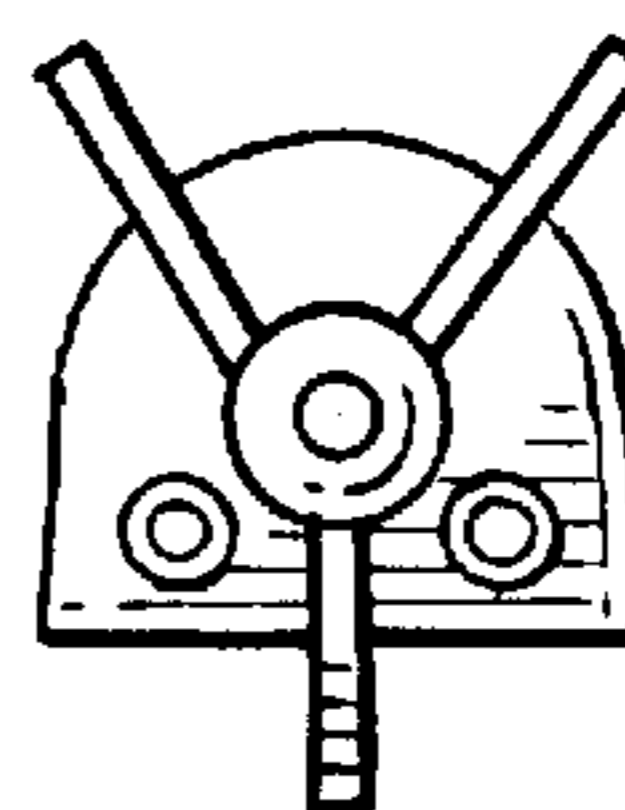


FIG. 6.

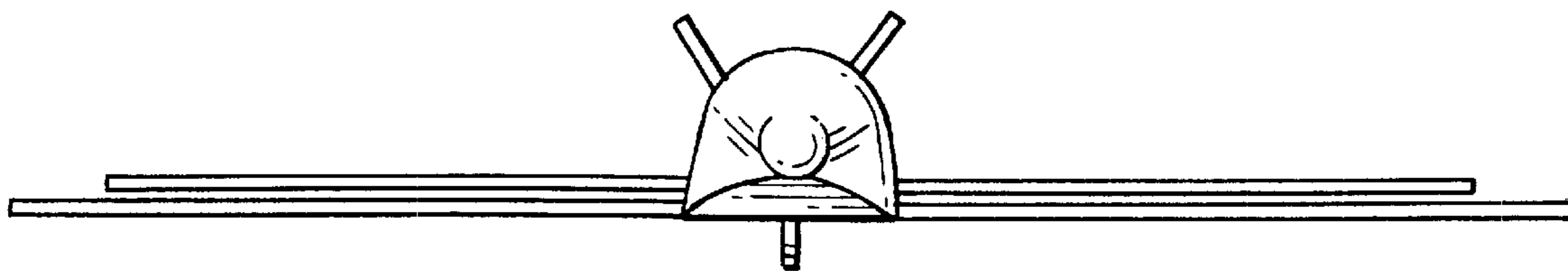
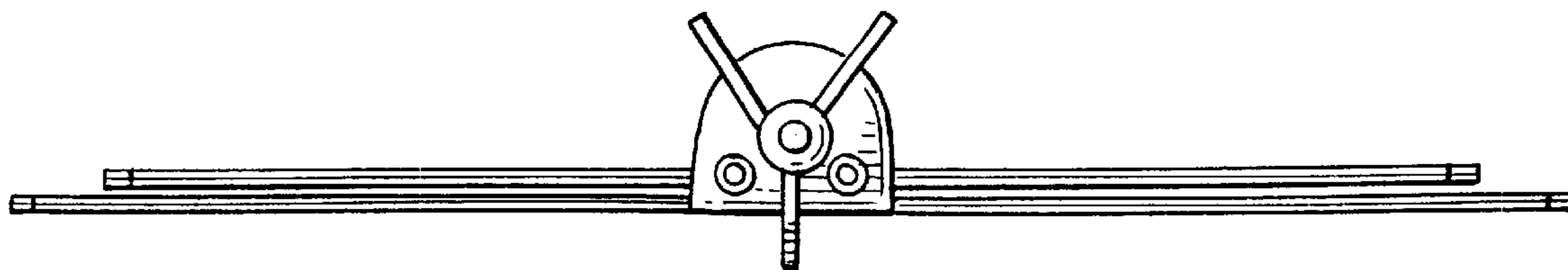
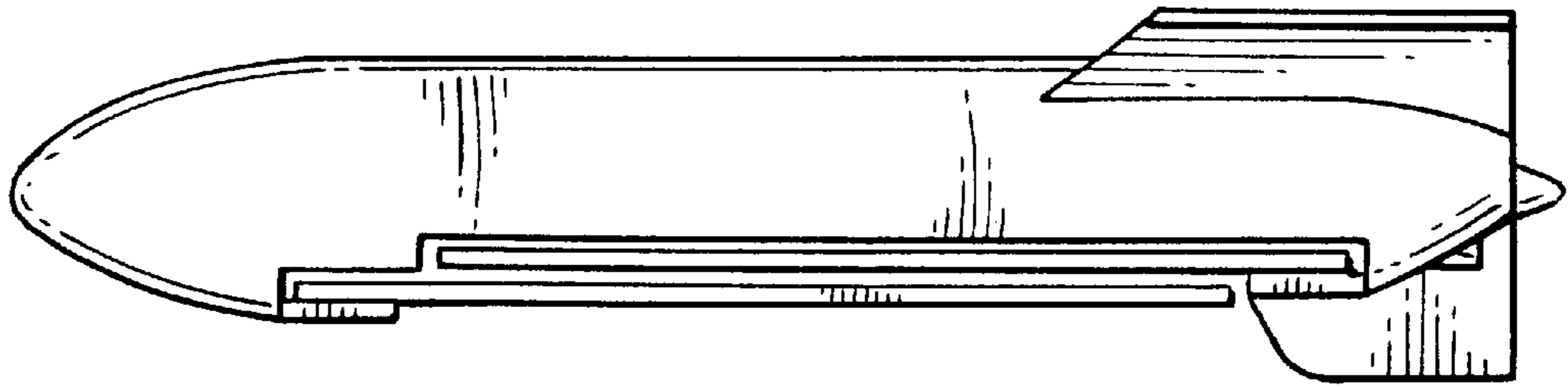


FIG. 8.



*FIG. 9.*



*FIG. 10.*

