



US00D461154S

(12) **United States Design Patent**
Kataoka

(10) **Patent No.:** **US D461,154 S**

(45) **Date of Patent:** **** Aug. 6, 2002**

(54) **AUTOMOTIVE WHEEL**

(75) **Inventor:** **Tatsuya Kataoka, Ota Gunma (JP)**

(73) **Assignee:** **Y. Kataoka Corp., Torrance, CA (US)**

(**) **Term:** **14 Years**

(21) **Appl. No.:** **29/149,753**

(22) **Filed:** **Oct. 18, 2001**

(51) **LOC (7) Cl.** **12-16**

(52) **U.S. Cl.** **D12/209**

(58) **Field of Search** **D12/204-211;**
301/37.1, 64.1, 65

D444,439 S	*	7/2001	Cullen	D12/211
D445,082 S	*	7/2001	Chung	D12/211
D445,392 S	*	7/2001	Chung	D12/211
D449,811 S	*	10/2001	Fitzgerald	D12/211
D450,026 S	*	11/2001	Donikoglu	D12/209
D452,209 S	*	12/2001	Chung	D12/209
D453,492 S	*	2/2002	Laengerer	D12/209

* cited by examiner

Primary Examiner—Stacia Cadmus

(74) *Attorney, Agent, or Firm*—G. Donald Weber, Jr.

(57) **CLAIM**

The ornamental design for an automotive wheel, as shown and described.

DESCRIPTION

FIG. 1 is an oblique view of the automotive wheel of the instant invention;

FIG. 2 is a side elevation view of the automotive wheel of the instant invention; and,

FIG. 3 is a cross-sectional view of the automotive wheel of the instant invention taken along line 3-3 in FIG. 2.

The broken line showing of environment is for illustrative purposes only and forms no part of the claimed design.

(56) **References Cited**

U.S. PATENT DOCUMENTS

D208,542 S	*	9/1967	Halibrand	D12/211
D236,975 S	*	9/1975	May	D12/209
D432,972 S	*	10/2000	Chung	D12/209
D433,375 S	*	11/2000	Fitzgerald	D12/209
D433,658 S	*	11/2000	Donikoglu	D12/209
D435,823 S	*	1/2001	Fitzgerald	D12/211
D438,157 S	*	2/2001	Donikoglu	D12/209
D438,834 S	*	3/2001	Ong	D12/211
D442,134 S	*	5/2001	Chung	D12/209

1 Claim, 2 Drawing Sheets

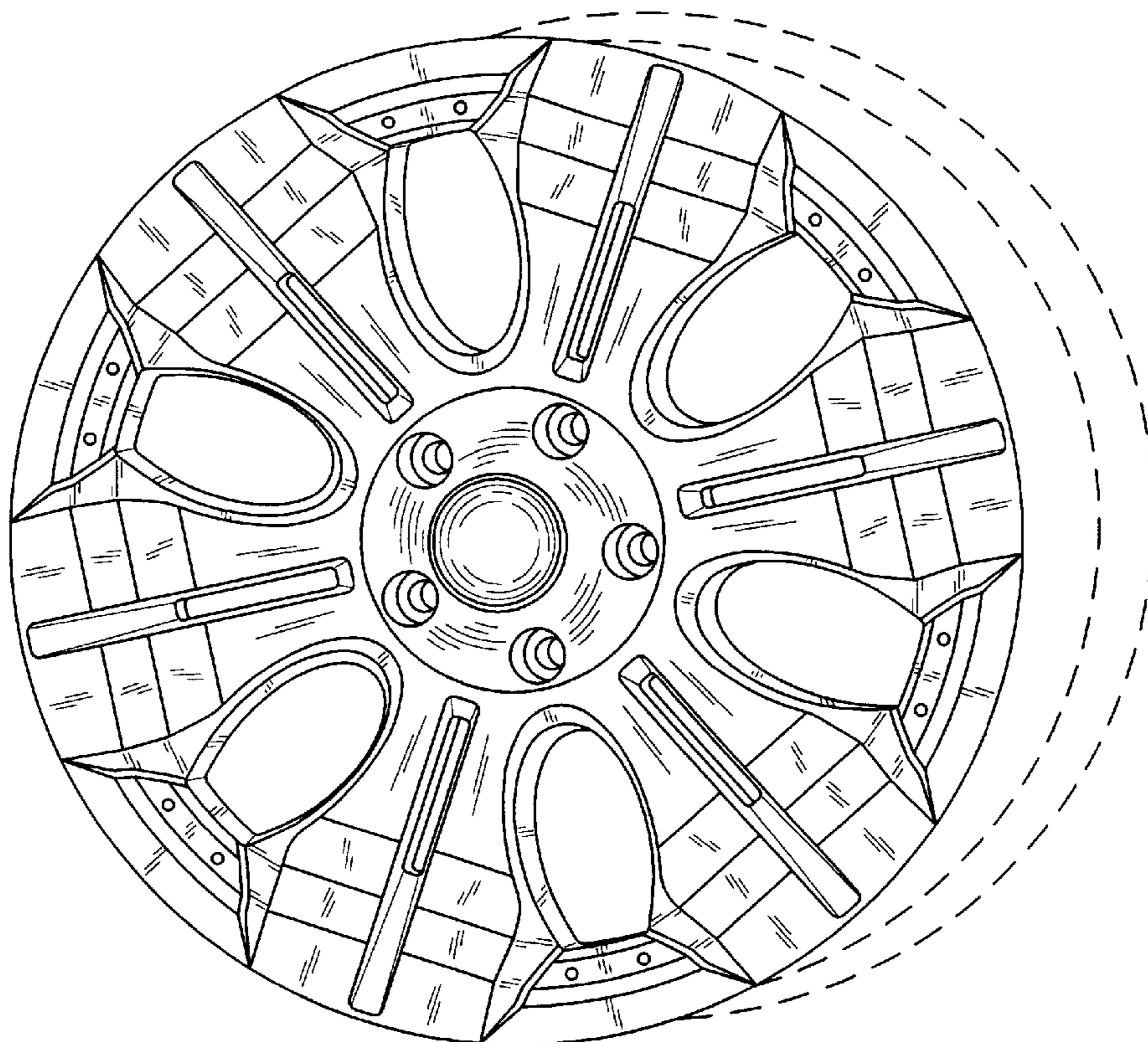


Fig. 1

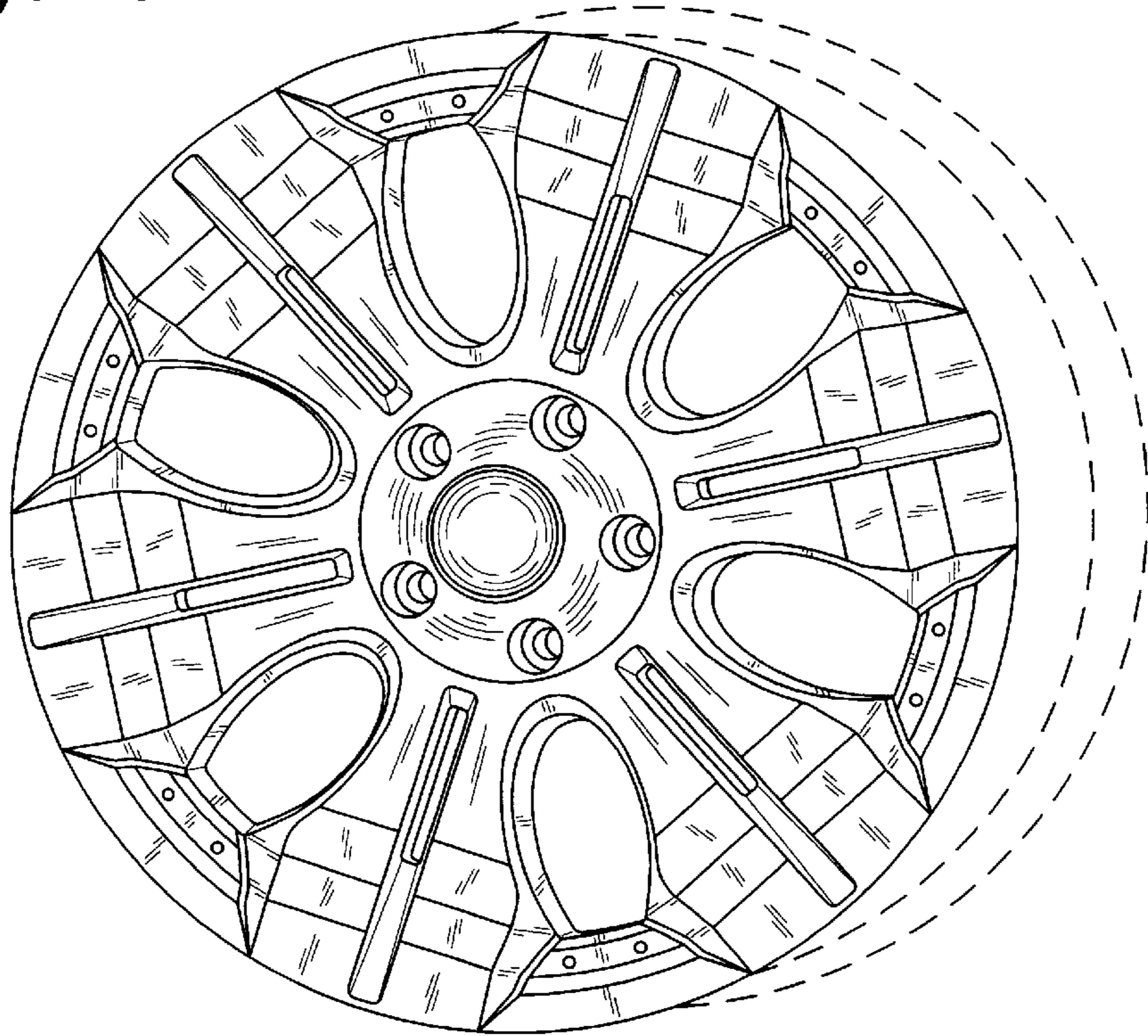


Fig. 2

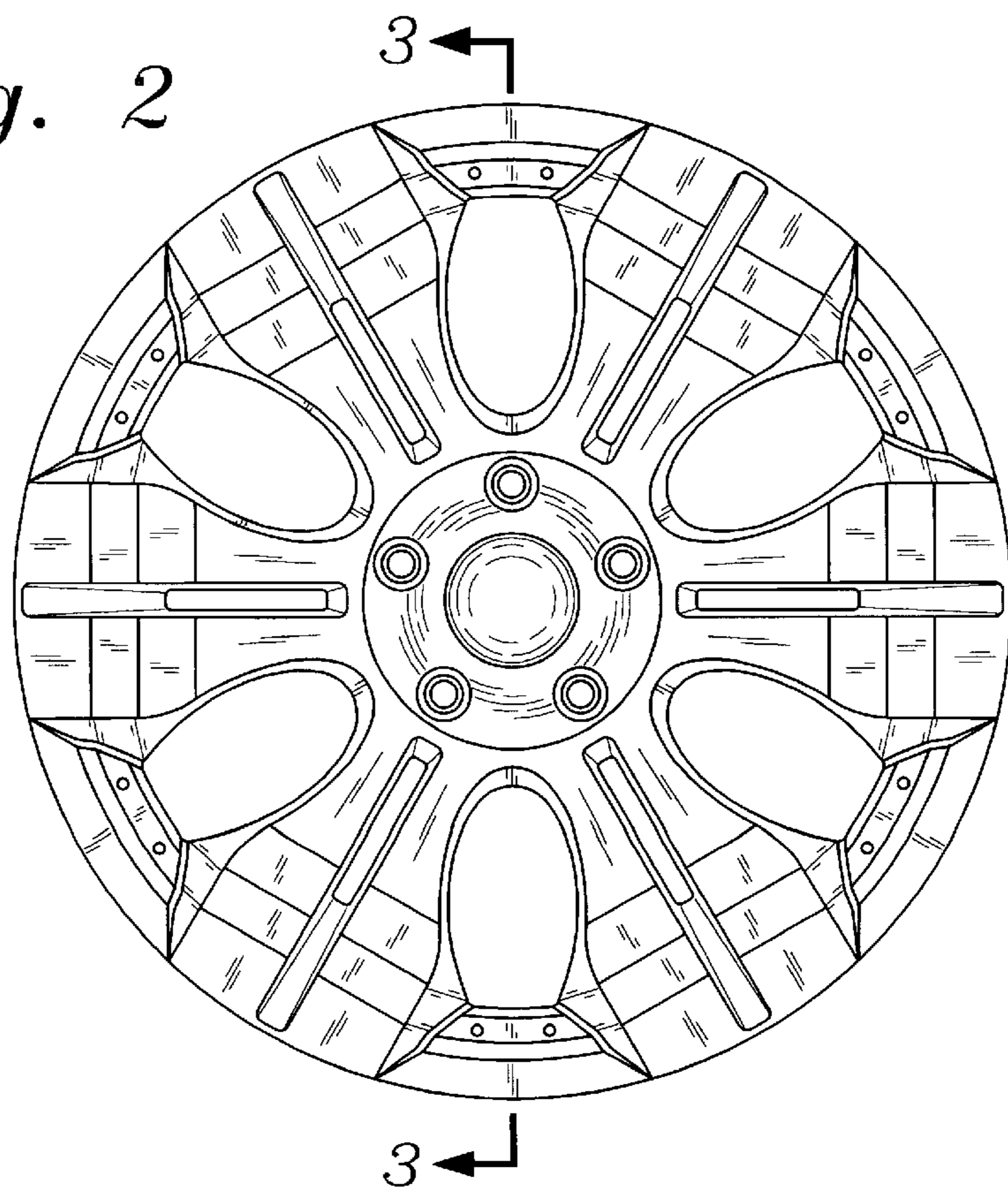


Fig. 3

