



US00D461152S

(12) **United States Design Patent**  
**Schmitt**

(10) **Patent No.:** **US D461,152 S**

(45) **Date of Patent:** **\*\* Aug. 6, 2002**

(54) **HELMET WITH RELEASABLE MOUNTING MECHANISM**

(75) **Inventor:** **Brett Schmitt, Shawnee, KS (US)**

(73) **Assignee:** **N2 Sports, Inc., Leawood, KS (US)**

(\*\*) **Term:** **14 Years**

(21) **Appl. No.:** **29/136,471**

(22) **Filed:** **Jan. 31, 2001**

(51) **LOC (7) Cl.** ..... **12-16**

(52) **U.S. Cl.** ..... **D12/197; D29/106**

(58) **Field of Search** ..... **D29/102-107, D29/111, 122; D12/400, 197; D11/157; D21/659; D14/232; 248/205.5; 116/209**

(56) **References Cited**

**U.S. PATENT DOCUMENTS**

D216,988 S	*	3/1970	Je Rue	.....	D11/157
D242,786 S	*	12/1976	McAvin	.....	D12/199
D289,568 S	*	4/1987	Nimmons	.....	D29/111
D317,890 S	*	7/1991	Bachmann	.....	D12/162
D321,845 S	*	11/1991	Nys	.....	D11/157
D350,710 S	*	9/1994	Keiffer	.....	D11/157
D359,018 S	*	6/1995	Thigpen	.....	D12/162
D371,639 S	*	7/1996	Schmitt	.....	D29/112

D408,236 S	*	4/1999	Rennick	.....	D8/38
D420,670 S	*	2/2000	Hernandez et al.	.....	D14/232
D422,958 S	*	4/2000	Conway et al.	.....	D12/197
D425,515 S	*	5/2000	Suh	.....	D14/232
D430,214 S	*	8/2000	Palmer	.....	D19/75
D442,169 S	*	5/2001	Shore et al.	.....	D14/232
D448,527 S	*	9/2001	Sav	.....	D29/103

\* cited by examiner

*Primary Examiner*—Ruth McInroy

(74) *Attorney, Agent, or Firm*—Mark E. Brown; Mitchell L. Crain

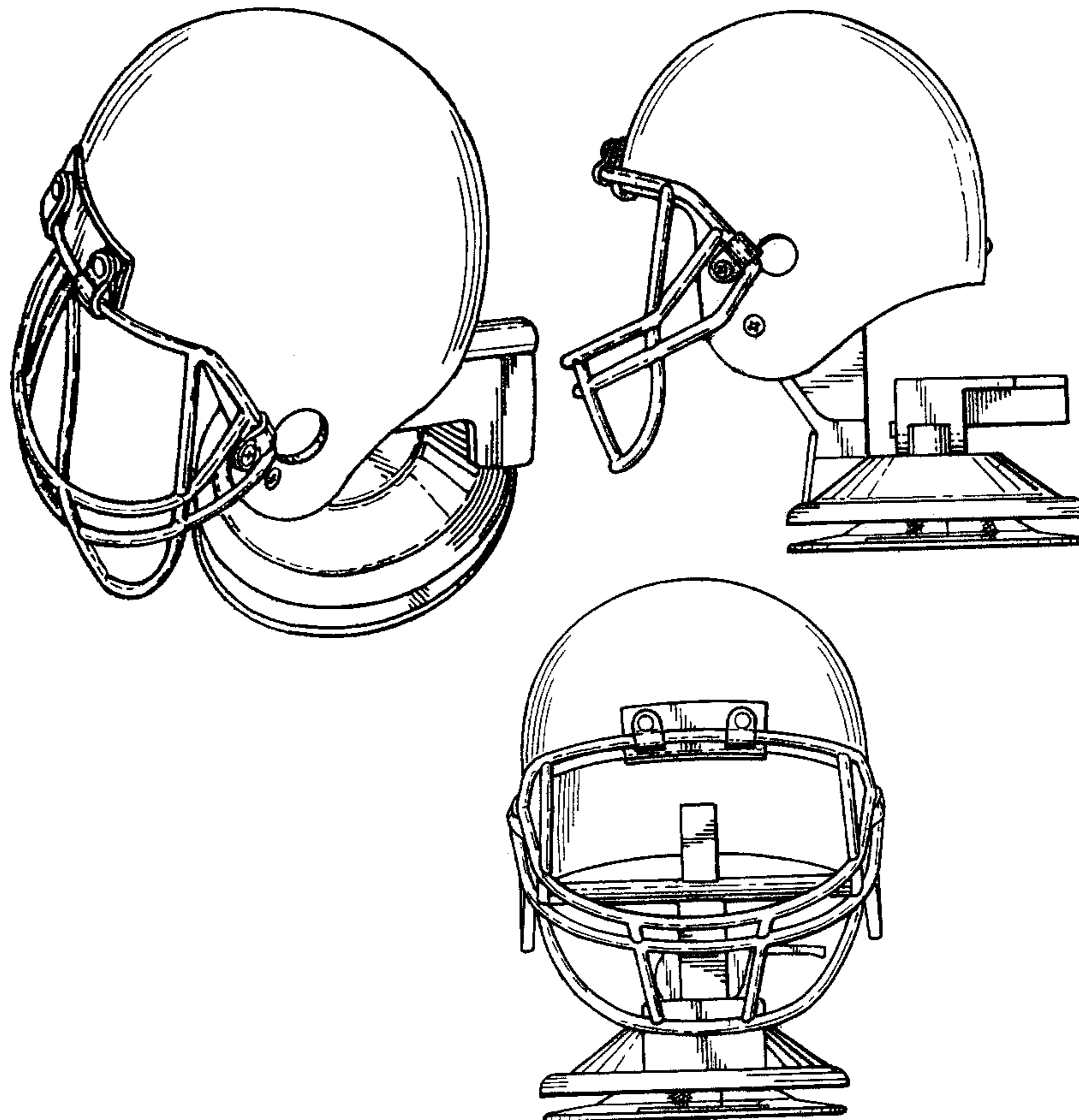
(57) **CLAIM**

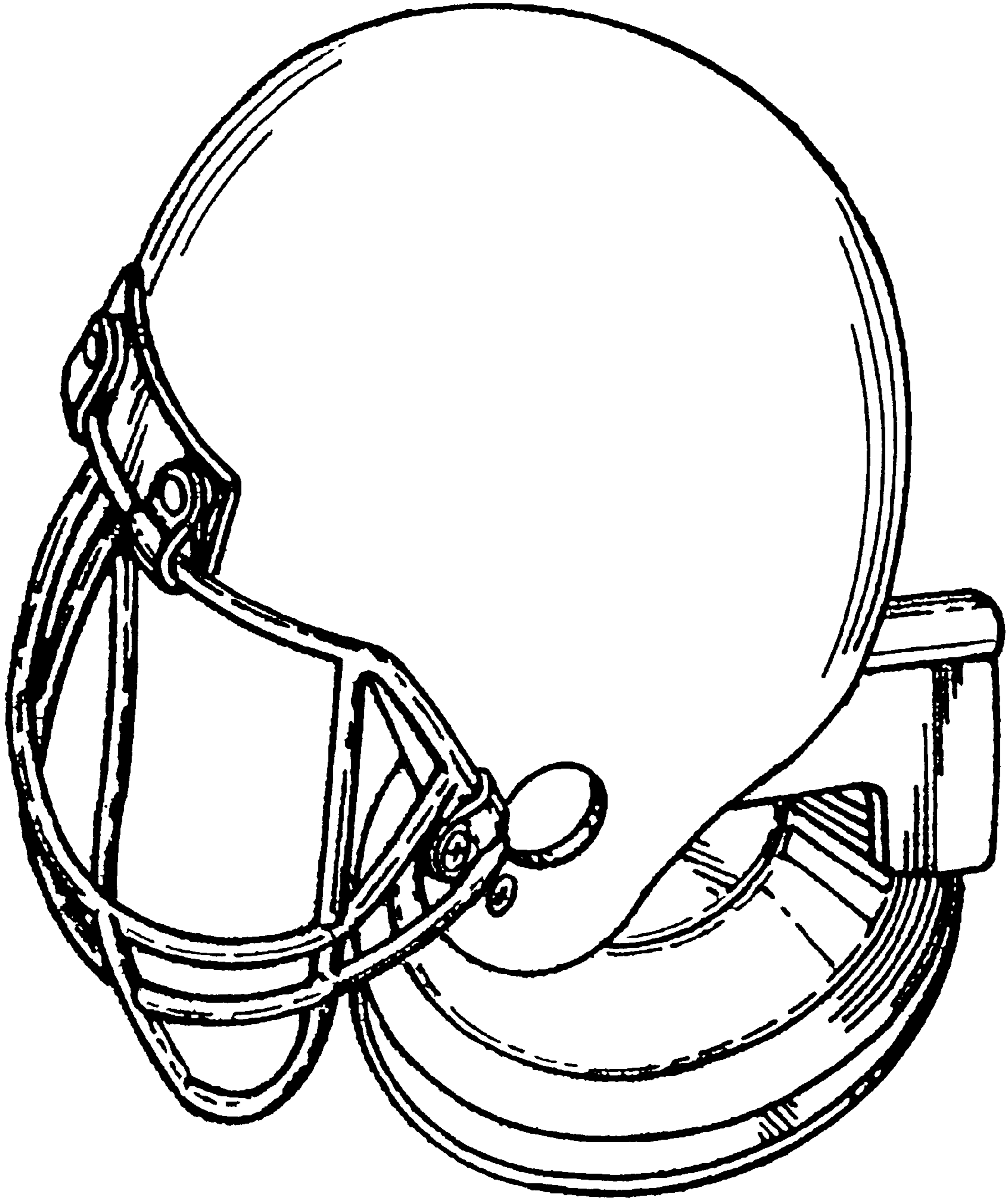
The ornamental design for a helmet with releasable mounting mechanism, as shown and described.

**DESCRIPTION**

FIG. 1 is perspective view of a helmet with releasable mounting mechanism, showing my new design; FIG. 2 is a left-side elevational view thereof; FIG. 3 is a front elevational view thereof; FIG. 4 is a top plan elevational view thereof; FIG. 5 is a right-side elevational view thereof; FIG. 6 is rear elevational view thereof; and, FIG. 7 is a bottom plan view thereof.

**1 Claim, 4 Drawing Sheets**





*FIG. 1.*

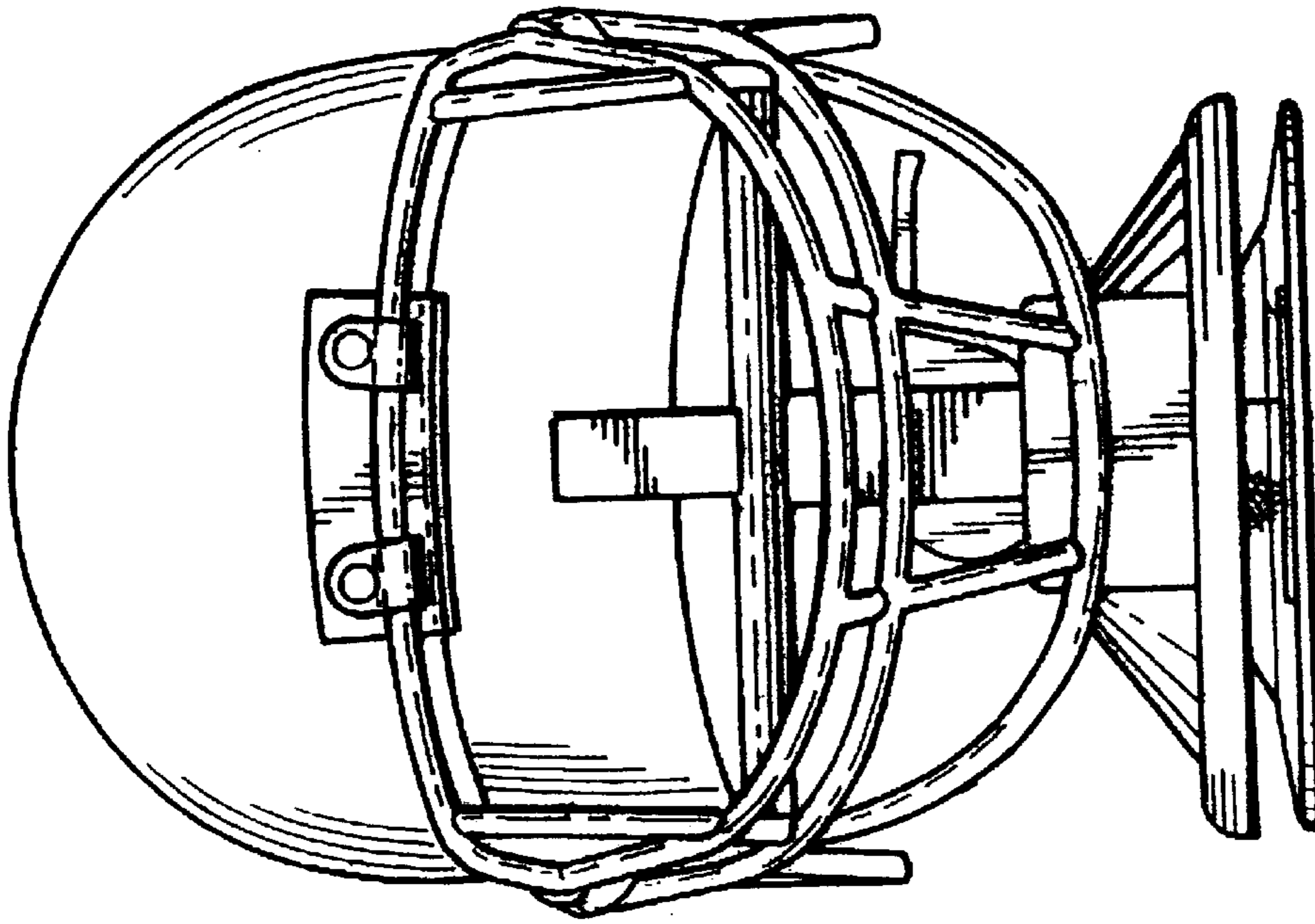


FIG. 3.

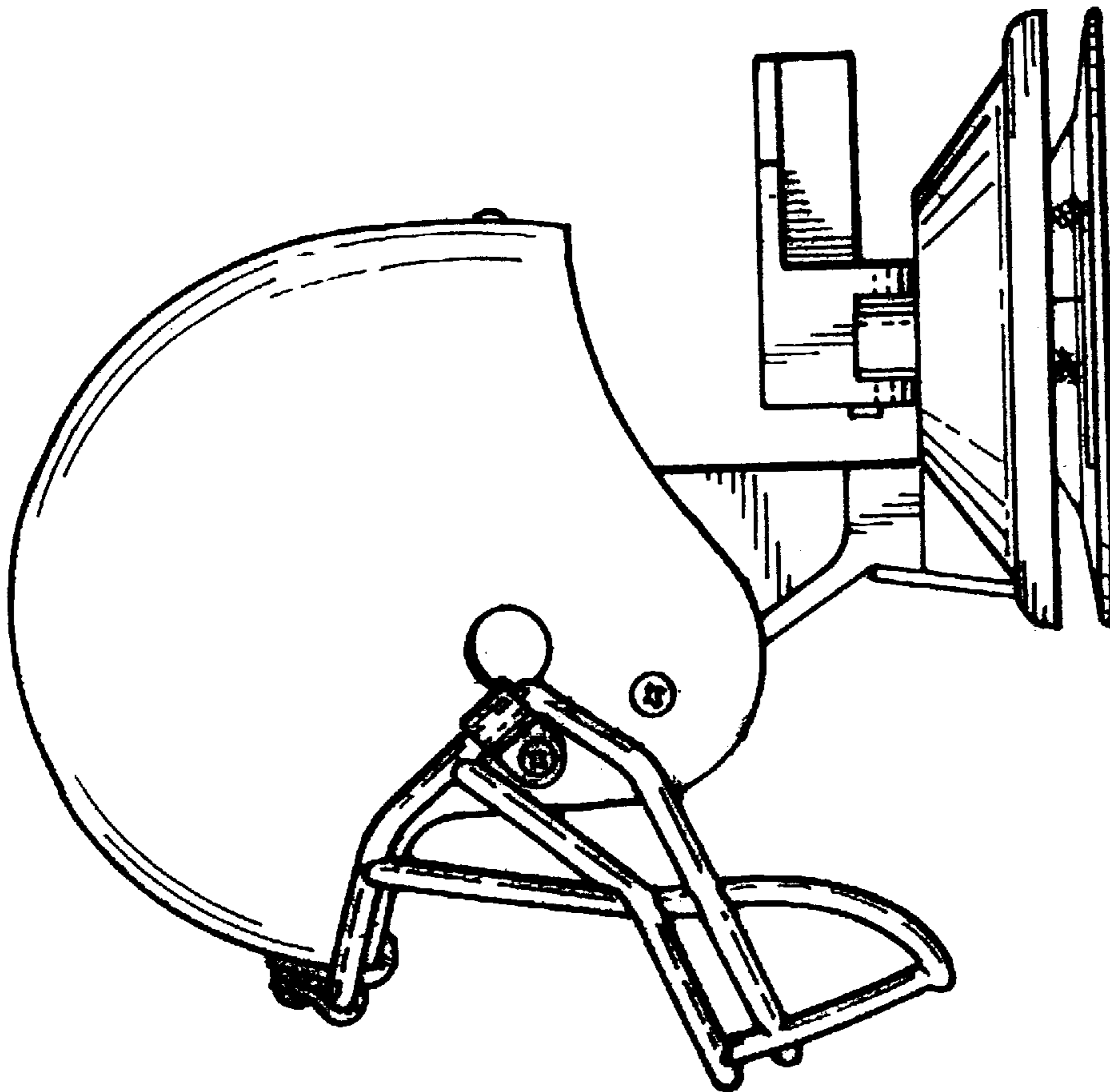


FIG. 2.

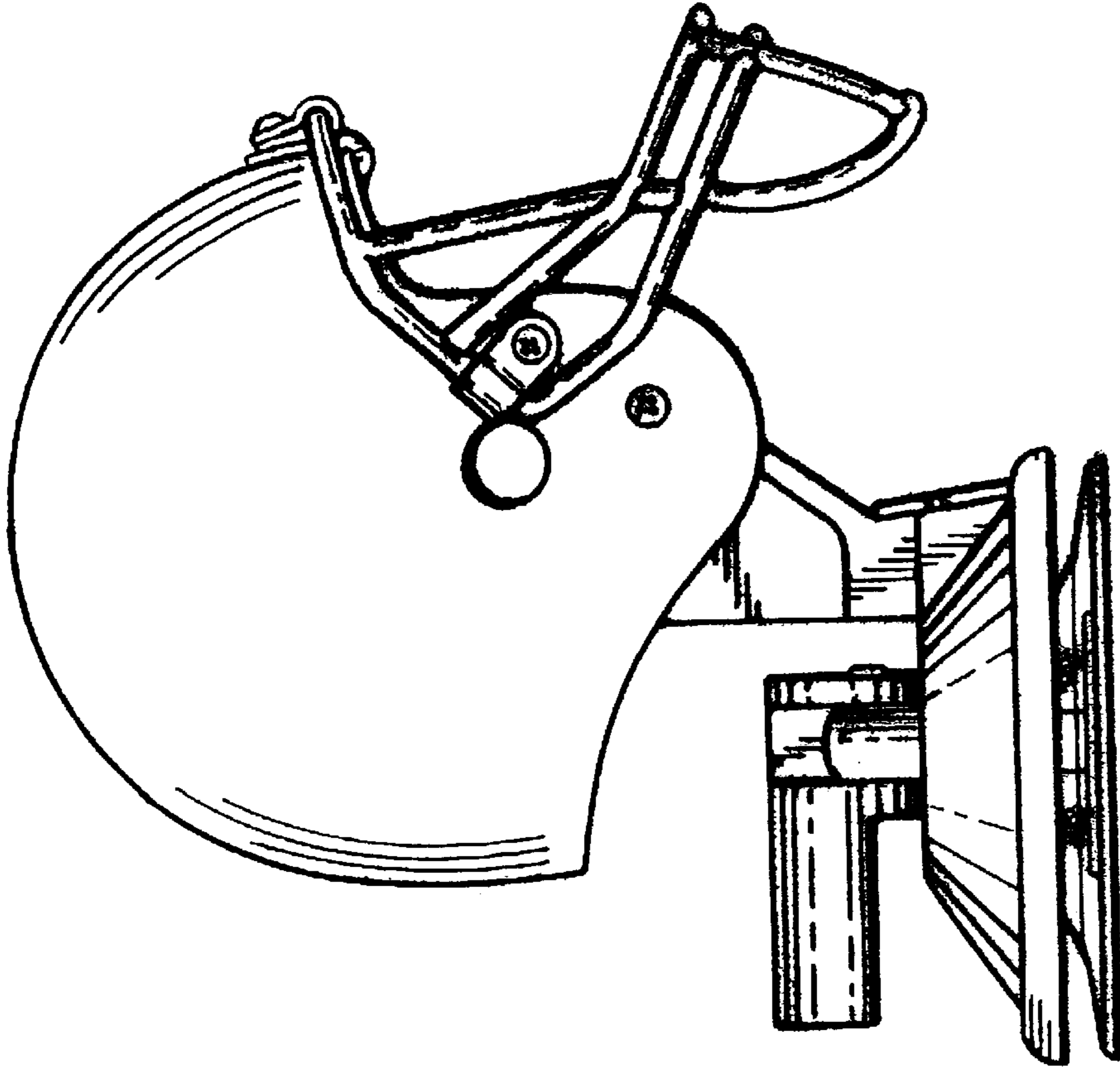


FIG. 5

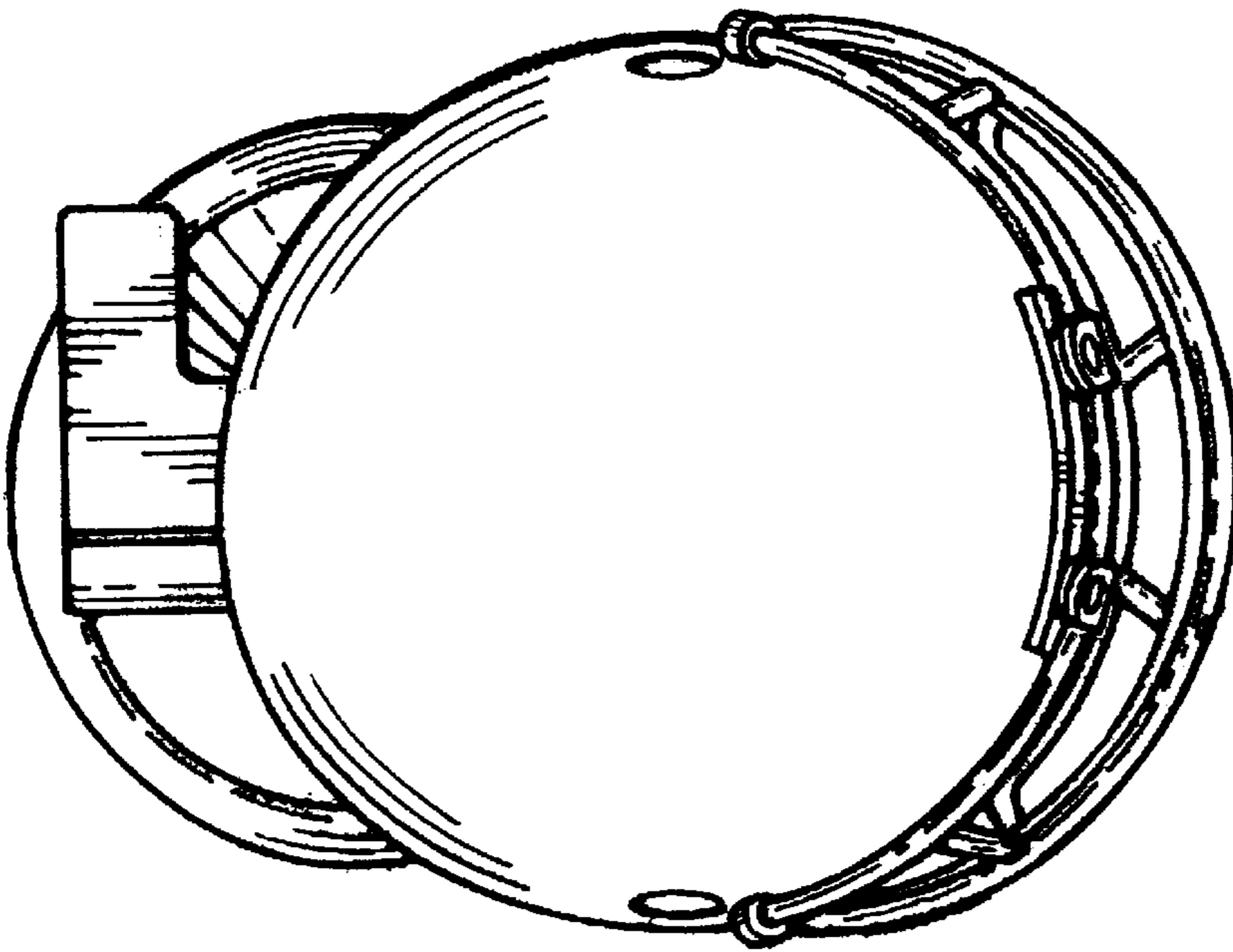


FIG. 4

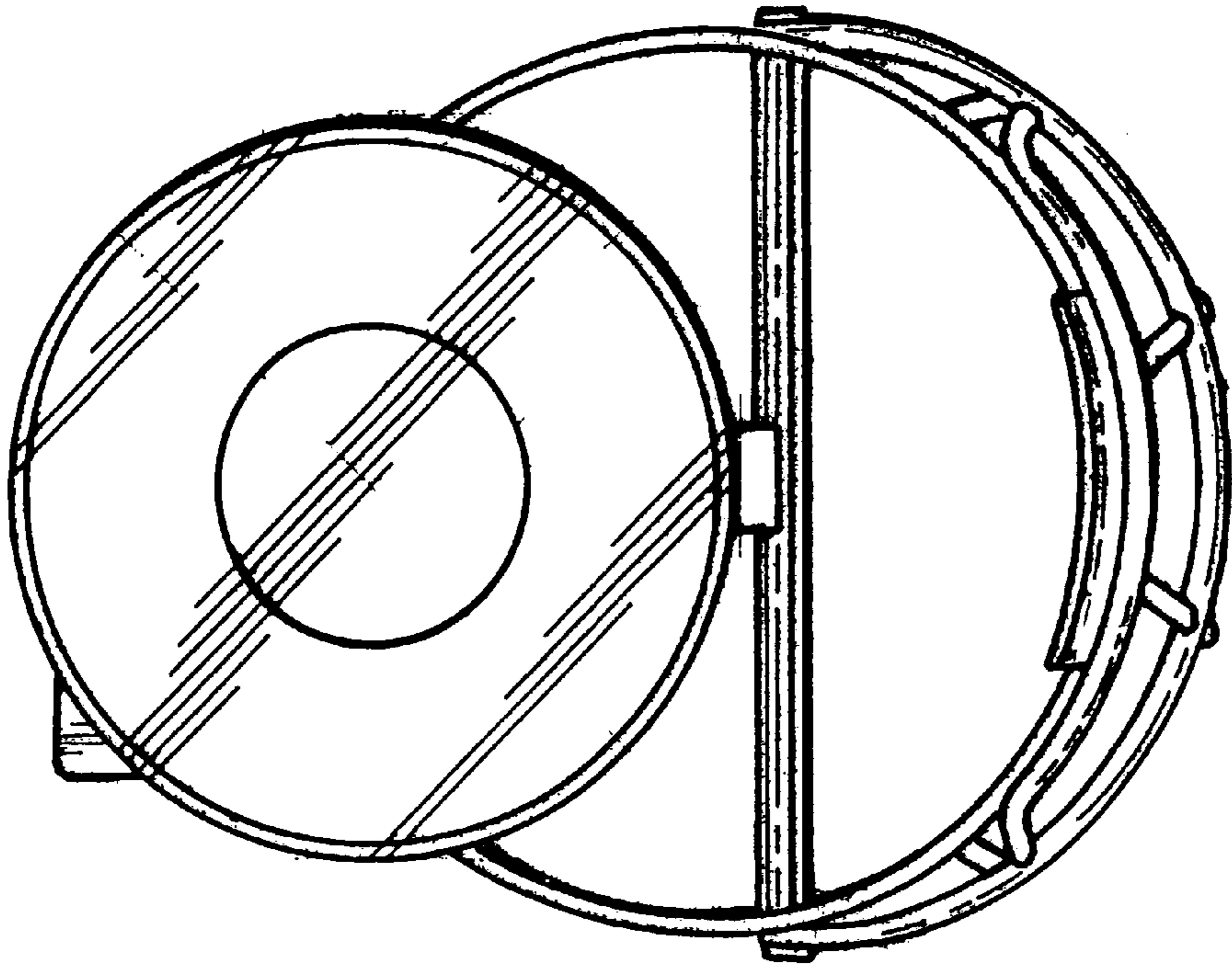


FIG. 7.

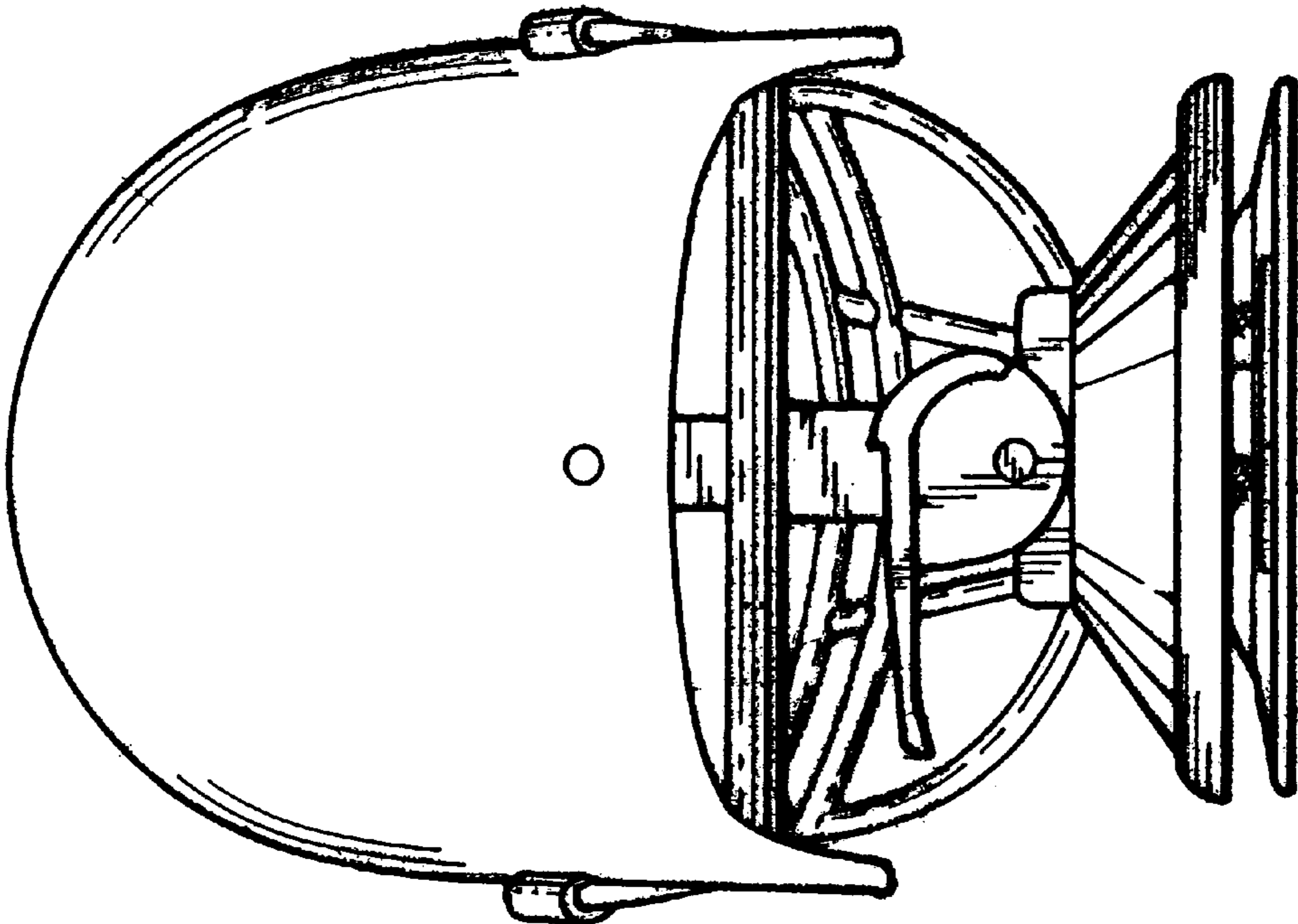


FIG. 6.