

US00D461151S

(12) **United States Design Patent**
Morris

(10) **Patent No.:** **US D461,151 S**

(45) **Date of Patent:** **** Aug. 6, 2002**

(54) **VEHICLE BODY PANELS**

(76) **Inventor:** **Mike Morris**, 10567 Peach Tree La.,
Rancho Cucamonga, CA (US) 91737

(**) **Term:** **14 Years**

(21) **Appl. No.:** **29/146,016**

(22) **Filed:** **Jul. 31, 2001**

(51) **LOC (7) Cl.** **12-16**

(52) **U.S. Cl.** **D12/196**

(58) **Field of Search** D12/196, 169,
D12/190, 98, 400; 296/146.5, 146.6, 180.1,
180.2, 96.15, 192-197, 24.1, 37.6; 293/126,
128; 428/71, 76

(56) **References Cited**

U.S. PATENT DOCUMENTS

D293,311 S	12/1987	Strosek	
D301,572 S	* 6/1989	McKinnon D12/196
D321,679 S	11/1991	Shinoda	
D333,118 S	2/1993	Stauffer	
5,271,338 A	12/1993	Bonham	
D342,930 S	* 1/1994	Lewellen et al. D12/196
D362,417 S	* 9/1995	Curtis et al. D12/101
D368,248 S	* 3/1996	Bryant D12/196
5,658,652 A	8/1997	Sellergren	

D388,756 S	* 1/1998	Perlman et al. D12/196
5,762,394 A	6/1998	Salmonowicz et al.	
D398,710 S	9/1998	Gonzalez	
D430,092 S	* 8/2000	Burgio, Jr. D12/196
6,136,415 A	10/2000	Spengler	
D435,499 S	* 12/2000	Smith et al. D12/196
D438,498 S	* 3/2001	Burgio, Jr. D12/196

* cited by examiner

Primary Examiner—Melody N. Brown

(74) *Attorney, Agent, or Firm*—Knobbe, Martens, Olson & Bear, LLP

(57) **CLAIM**

The ornamental design for vehicle body panels, as shown and described.

DESCRIPTION

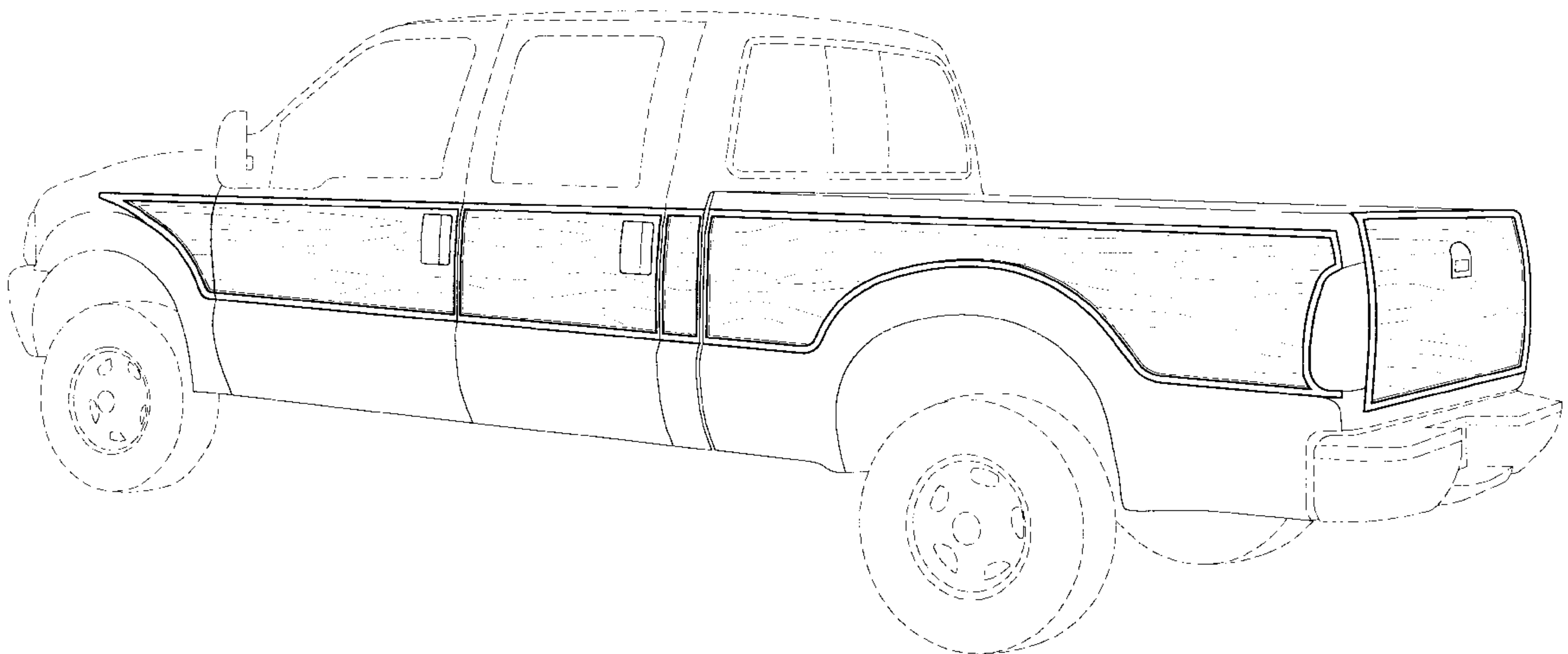
FIG. 1 is a perspective view of vehicle body panels of the present design showing the vehicle body panels installed on a vehicle;

FIG. 2 is a side view thereof, the opposite side of the vehicle is a mirror image of the side shown; and,

FIG. 3 is a back view thereof.

The broken lines showing of the vehicle in FIGS. 1, 2, and 3 are illustrative purposes only and form no part of the claimed design.

1 Claim, 3 Drawing Sheets



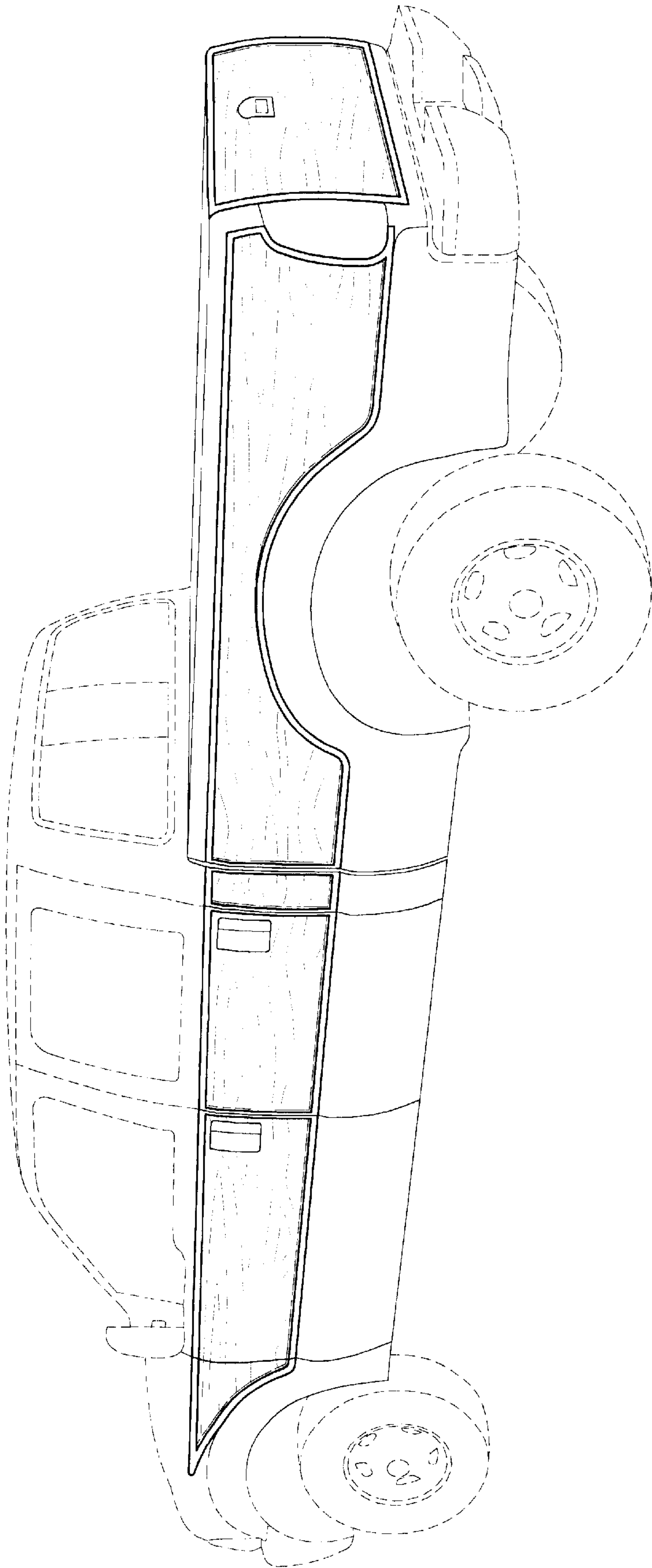


FIG. 1

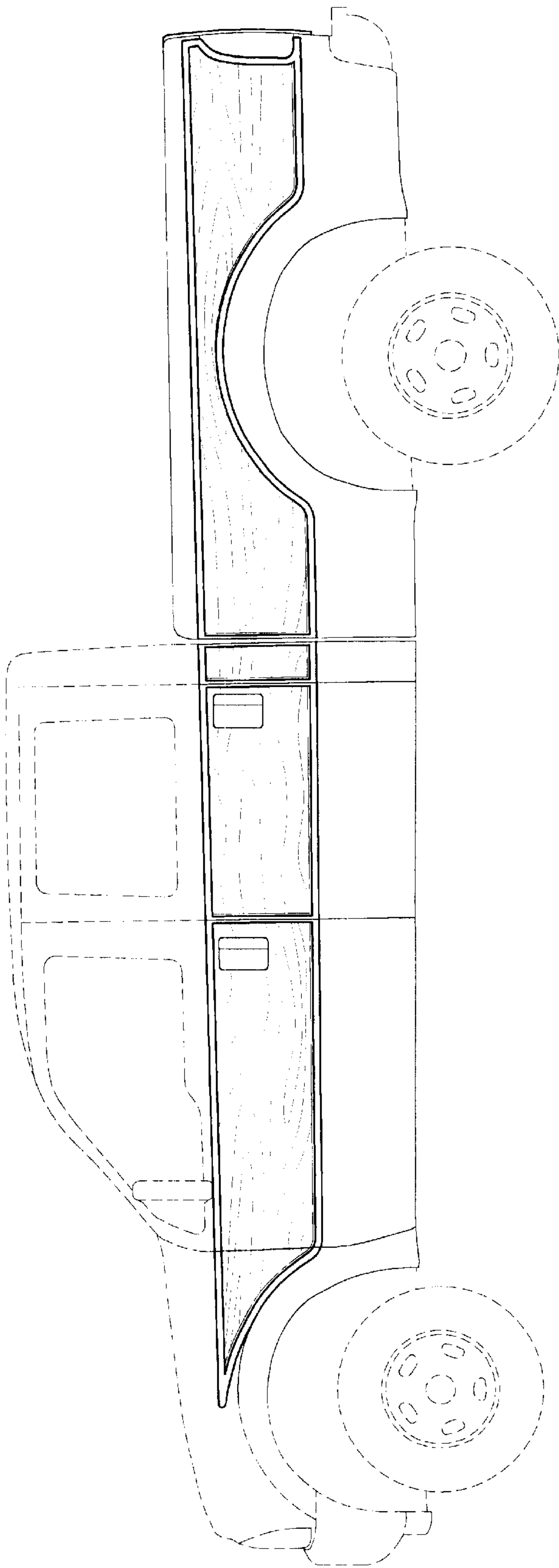


FIG. 2

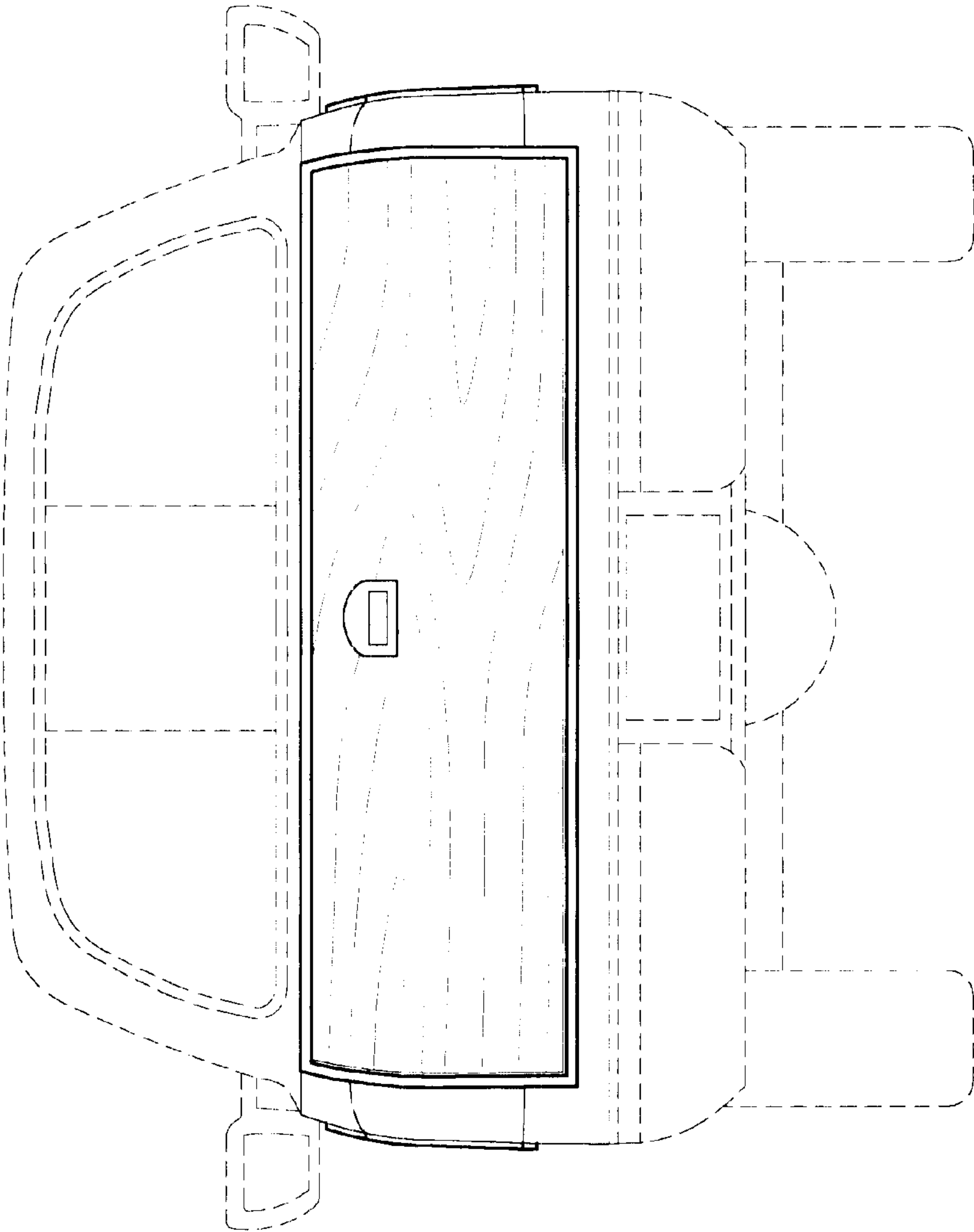


FIG. 3