



US00D461145S

(12) **United States Design Patent**  
**Chiappetta et al.**

(10) **Patent No.:** **US D461,145 S**

(45) **Date of Patent:** **\*\* Aug. 6, 2002**

(54) **TRICYCLE**

D334,157 S \* 3/1993 Tonelli ..... D12/113

(75) Inventors: **Gary Chiappetta**, Hinsdale; **Joel V. Koster**; **Bryan M. Fox**, both of Chicago, all of IL (US)

\* cited by examiner

*Primary Examiner*—Joel Sincavage

*Assistant Examiner*—Linda Brooks

(73) Assignee: **Radio Flyer Inc.**, Chicago, IL (US)

(74) *Attorney, Agent, or Firm*—Piper Rudnick

(\*\*) Term: **14 Years**

(57) **CLAIM**

The ornamental design for a tricycle, as shown.

(21) Appl. No.: **29/141,882**

**DESCRIPTION**

(22) Filed: **May 15, 2001**

(51) **LOC (7) Cl.** ..... **12-11**

(52) **U.S. Cl.** ..... **D12/113**

(58) **Field of Search** ..... D12/112, 113;  
280/259, 274, 282, 288.2, 288.3

FIG. 1 is a perspective view of the design;  
FIG. 2 is a front elevational view of the design;  
FIG. 3 is a right side elevational view of the design;  
FIG. 4 is a rear elevational view of the design;  
FIG. 5 is left side elevational view of the design;  
FIG. 6 is a top plan view of the design; and,  
FIG. 7 is a bottom plan view of the design.

(56) **References Cited**

**U.S. PATENT DOCUMENTS**

D143,940 S \* 2/1946 Sly ..... D12/112

**1 Claim, 4 Drawing Sheets**

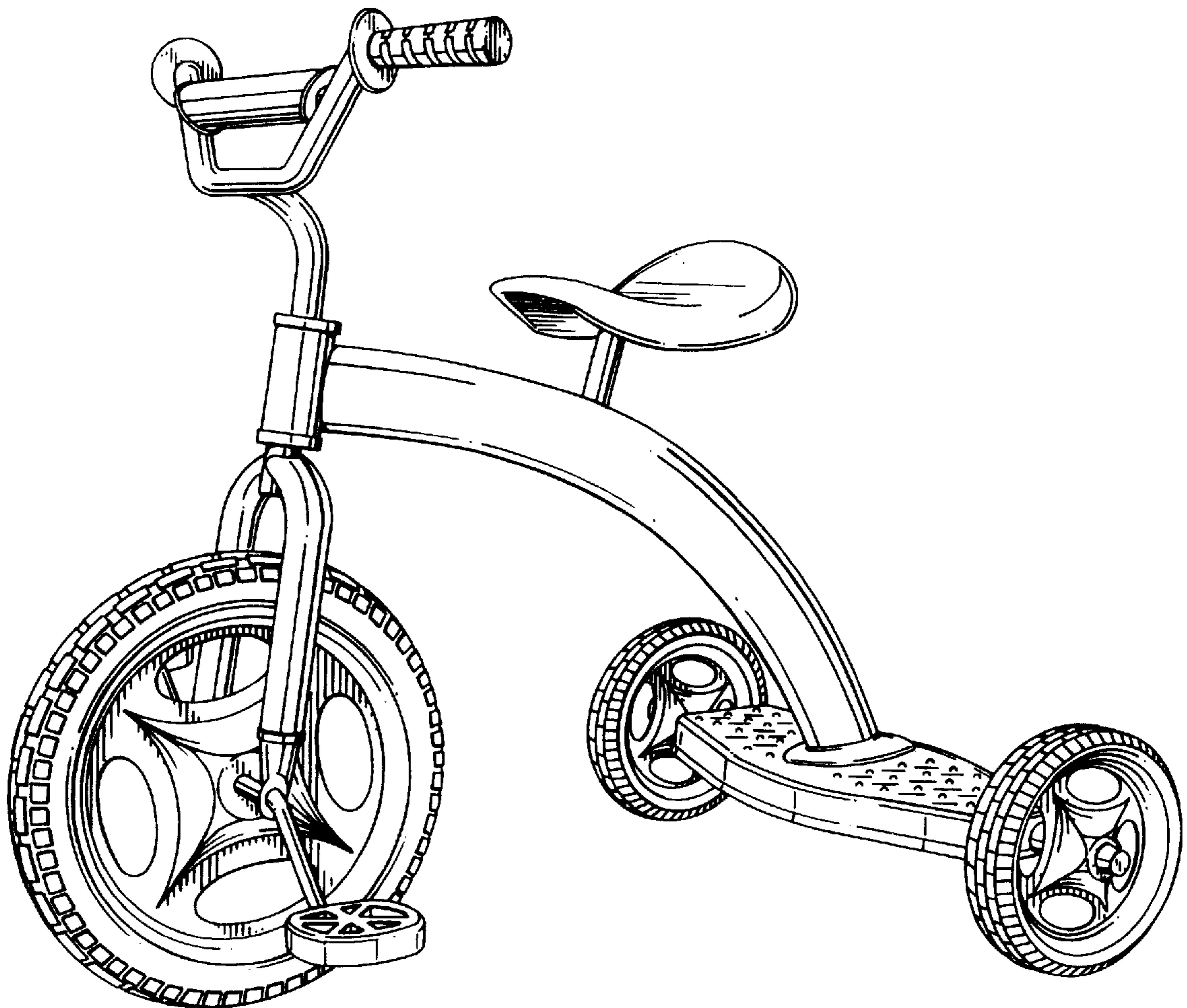


FIG.1

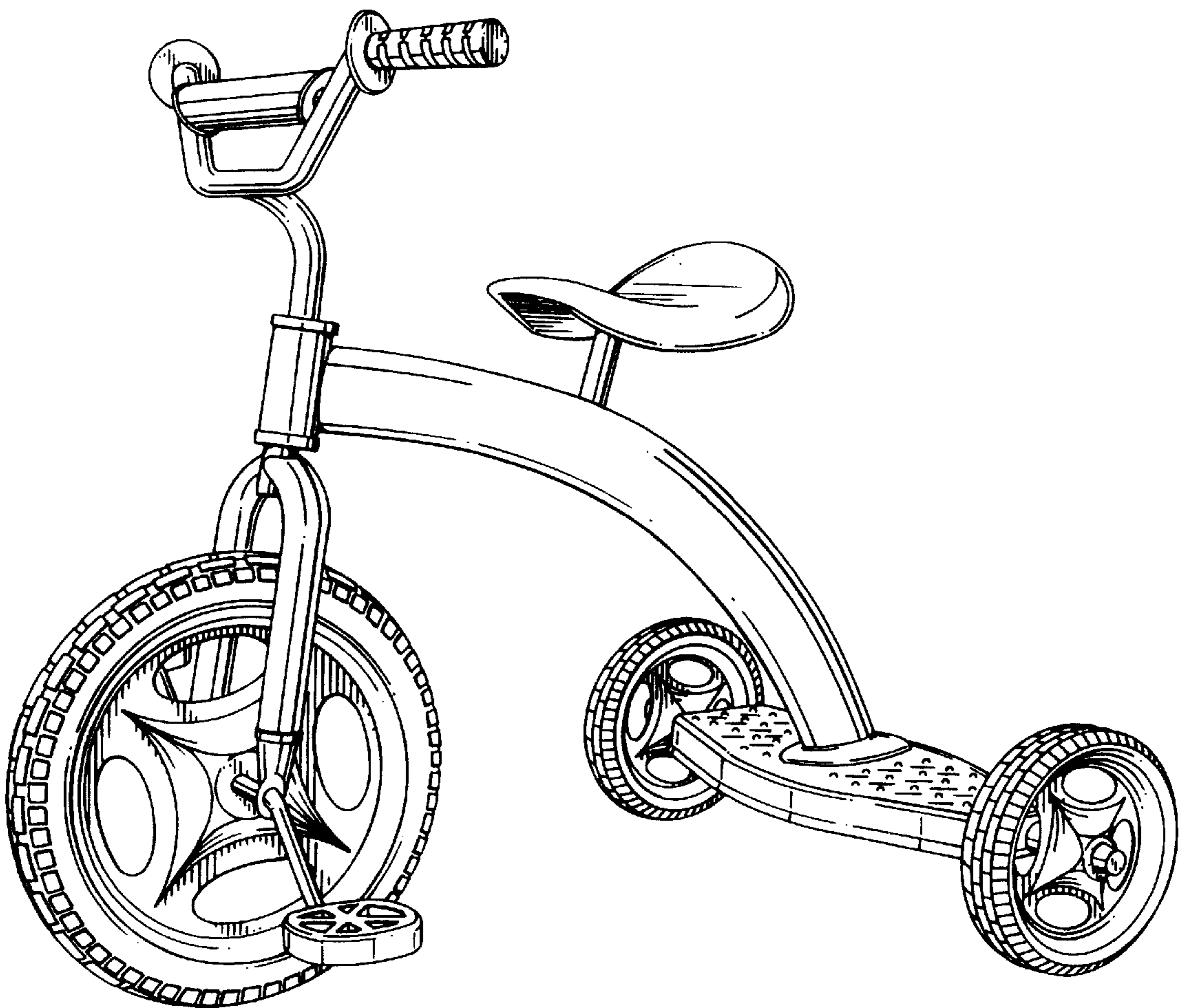


FIG. 2

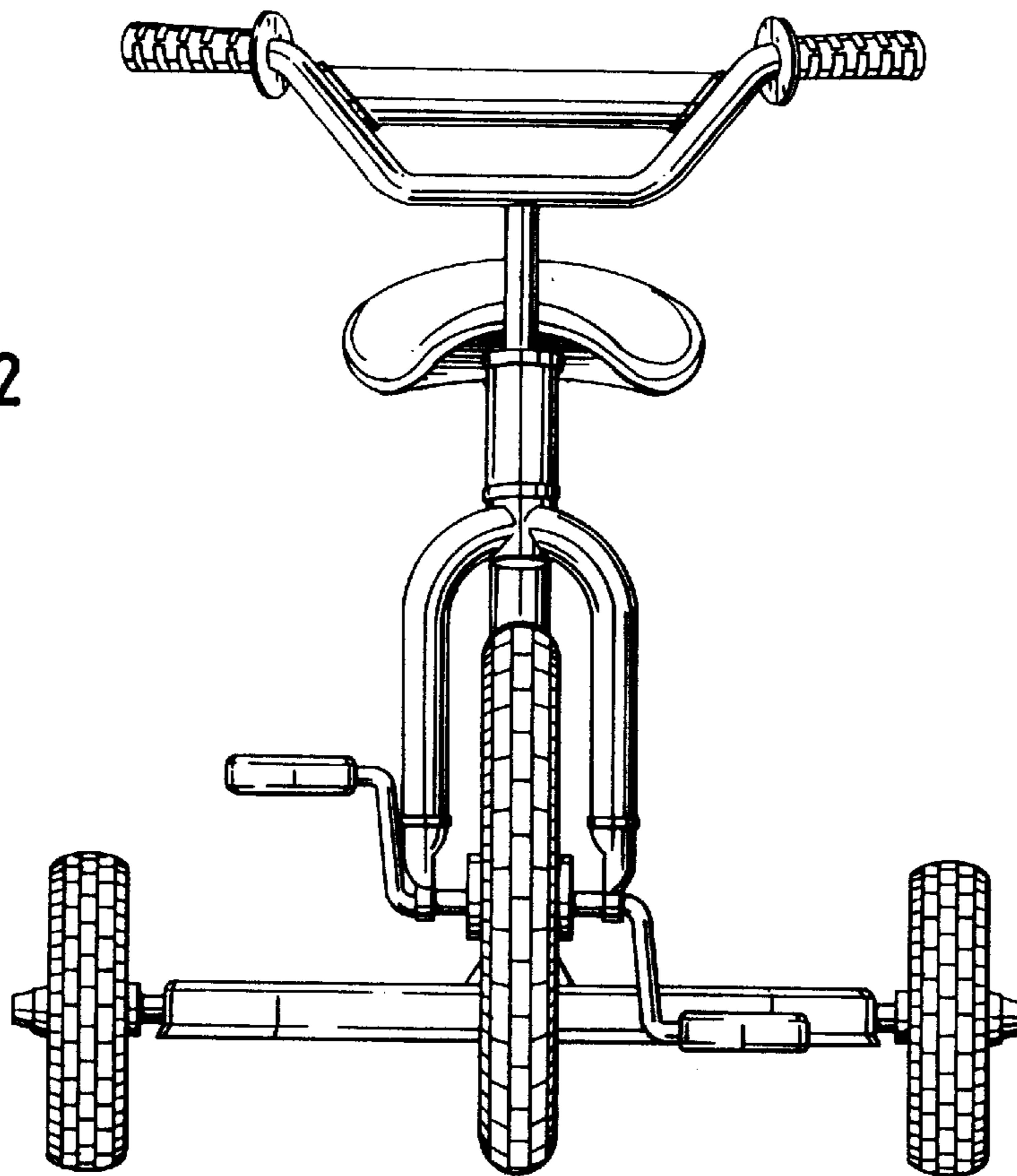


FIG. 3

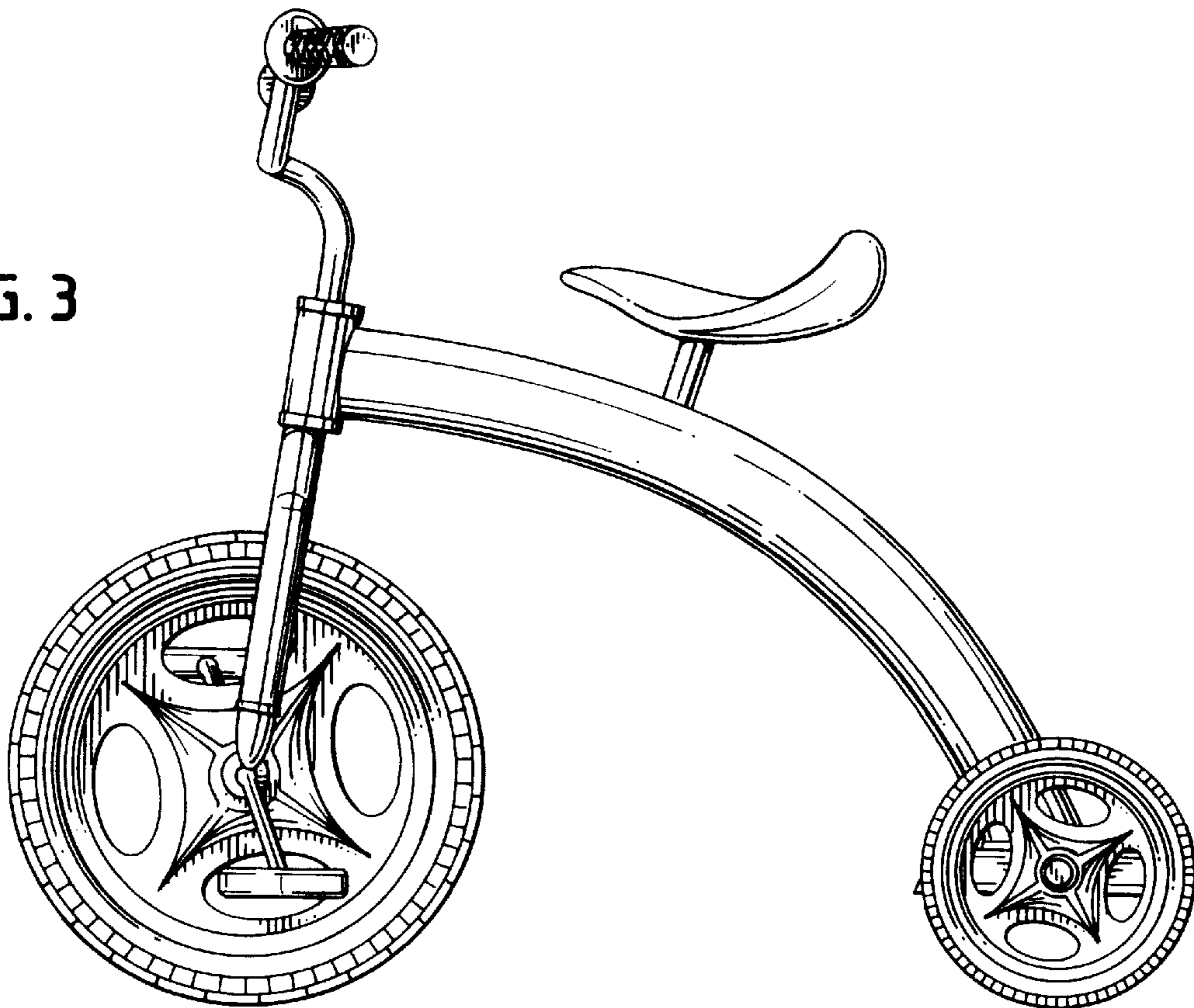


FIG. 4

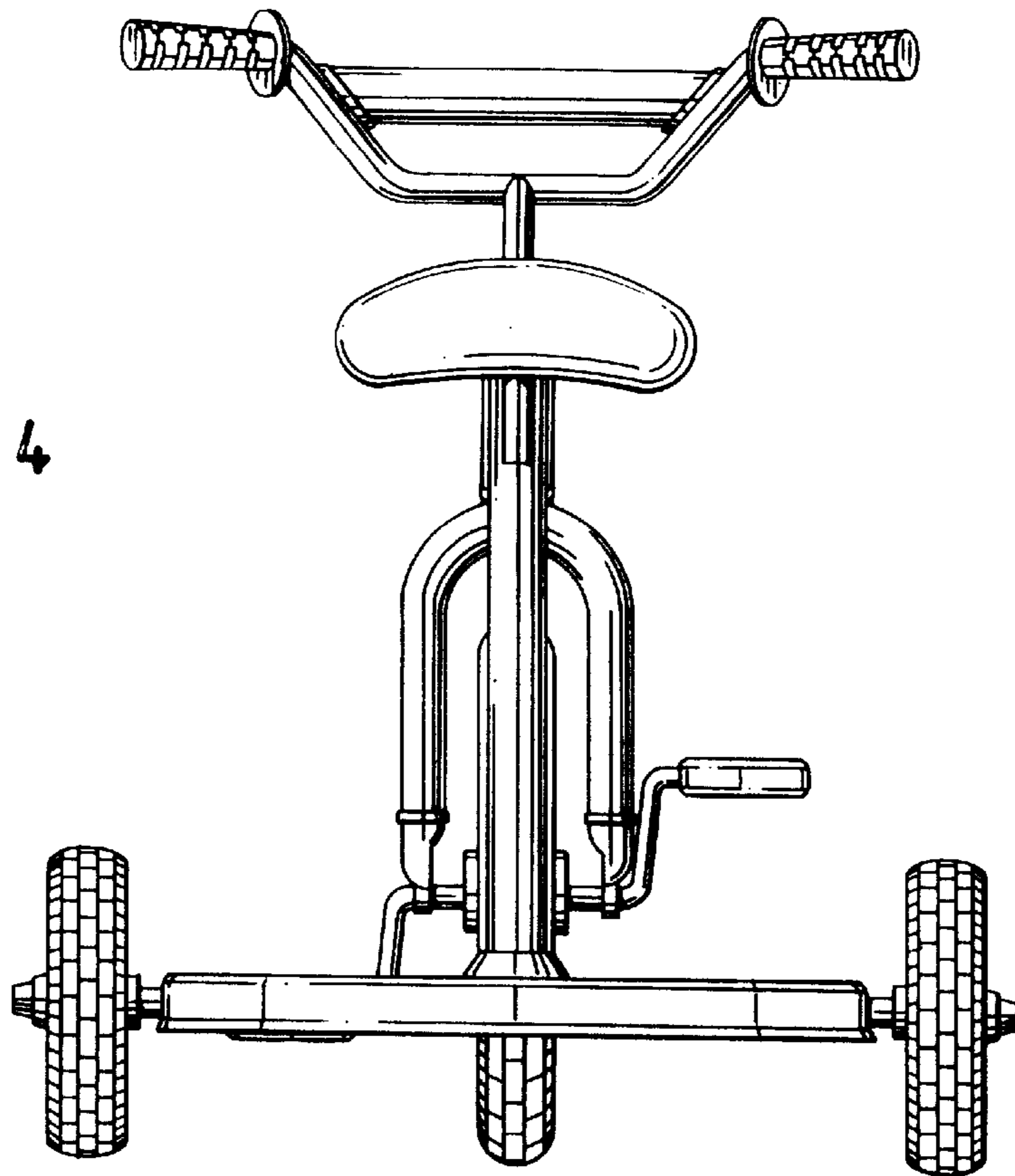
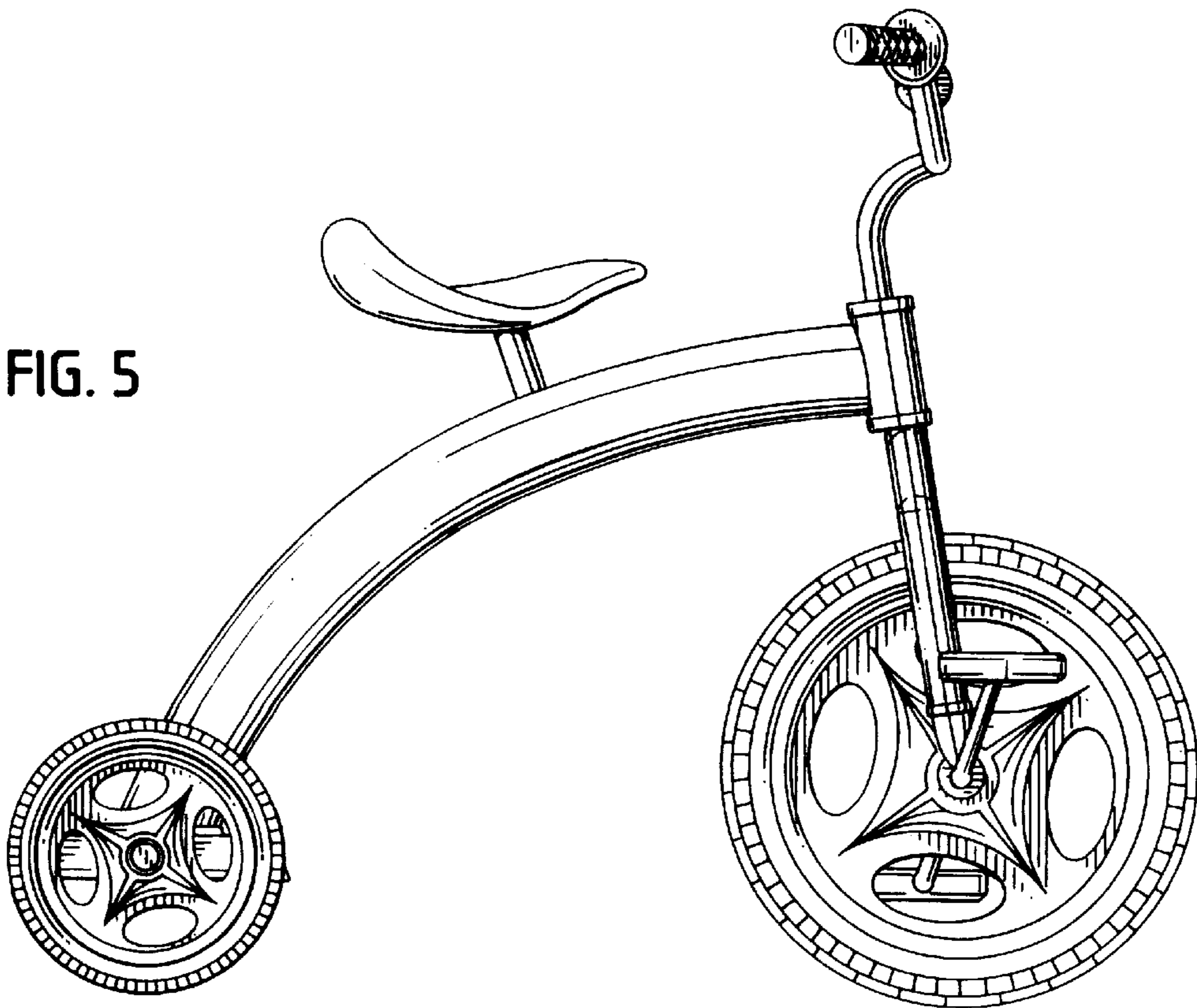


FIG. 5



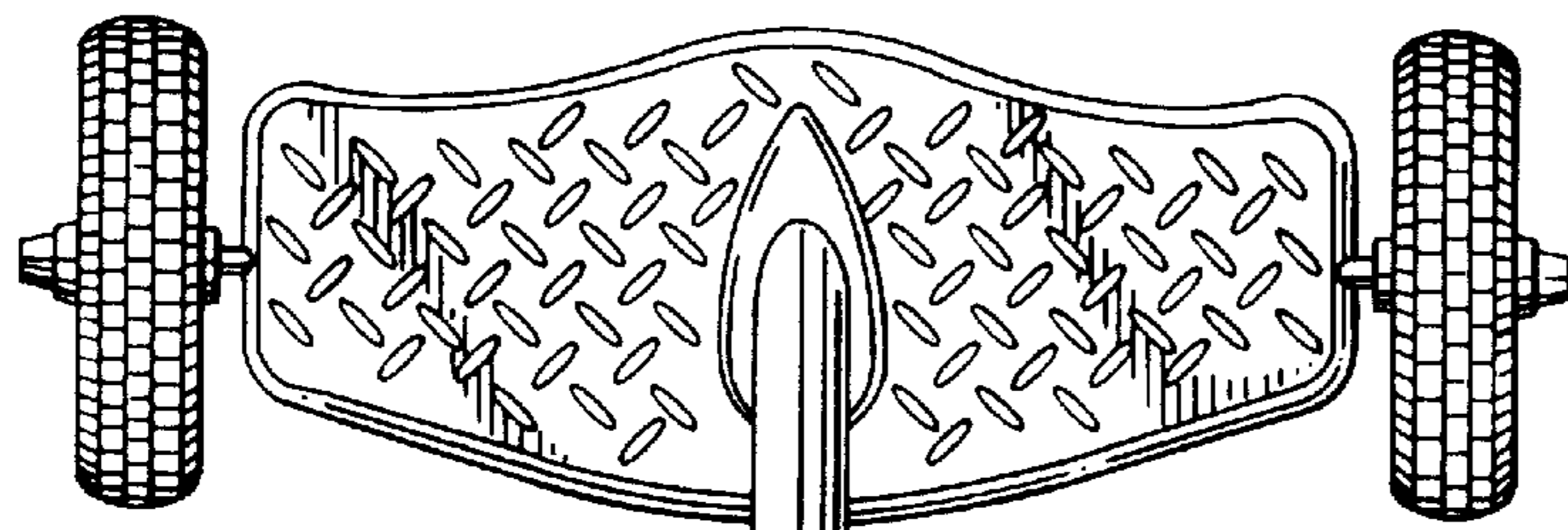


FIG. 6

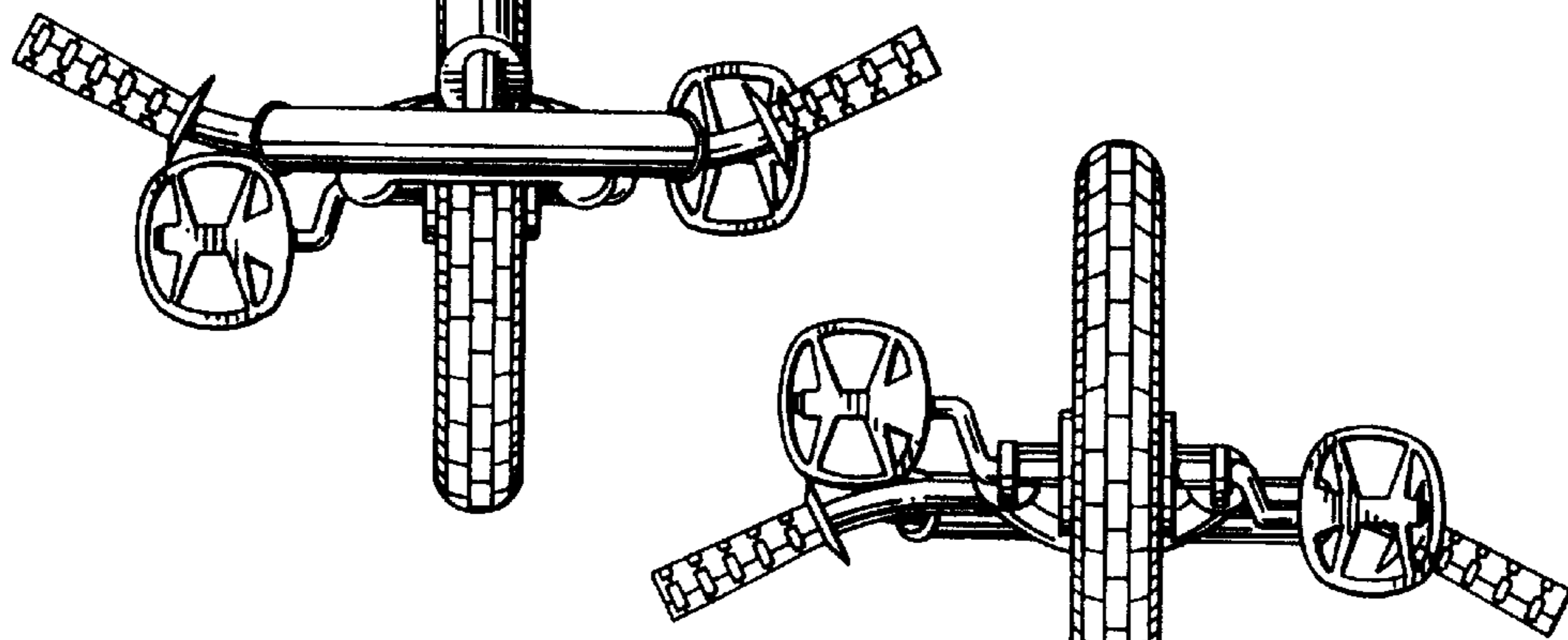


FIG. 7

