



US00D461143S

(12) **United States Design Patent**
Lemesle

(10) **Patent No.:** **US D461,143 S**

(45) **Date of Patent:** **** Aug. 6, 2002**

(54) **DECORATION FOR CHRISTMAS TREE**

D450,620 S * 11/2001 Simpson D11/130

(76) Inventor: **Véronique Lemesle**, 40, rue Cler, Paris
(FR), 75007

* cited by examiner

(**) Term: **14 Years**

Primary Examiner—Dominic Simone

(74) *Attorney, Agent, or Firm*—Jacobson Holman, PLLC

(21) Appl. No.: **29/147,021**

(57) **CLAIM**

(22) Filed: **Aug. 22, 2001**

The ornamental design for a decoration for Christmas tree,
as shown and described.

(51) **LOC (7) Cl.** **21-05**

DESCRIPTION

(52) **U.S. Cl.** **D11/125; D11/121**

(58) **Field of Search** D11/117, 121,
D11/125, 130; 428/7-9

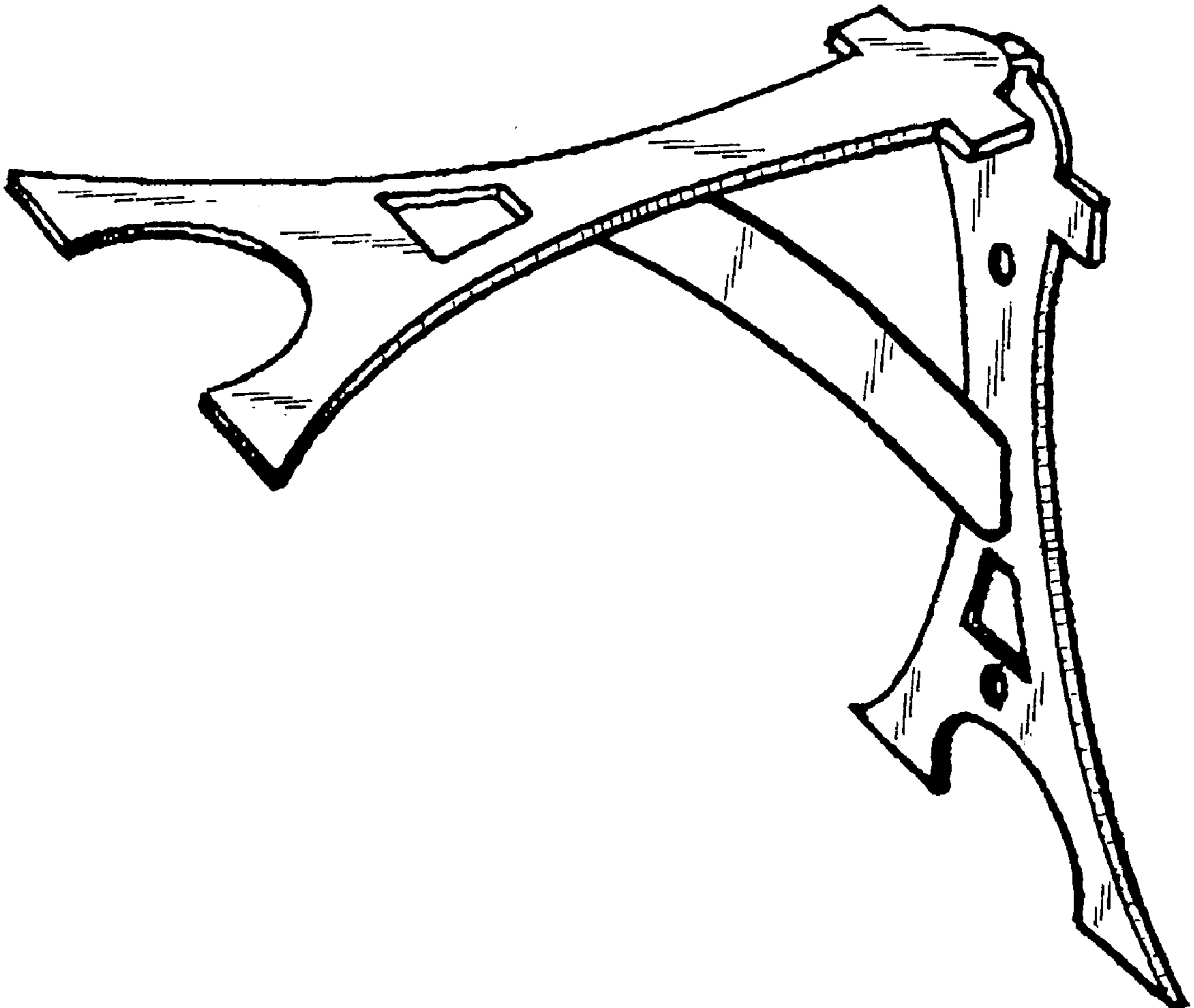
FIG. 1 is a front perspective view showing my new design
for a decoration for Christmas tree,
FIG. 2 is a left side view thereof;
FIG. 3 is a rear view thereof;
FIG. 4 is a front view thereof;
FIG. 5 is a bottom front view thereof;
FIG. 6 is a right side view thereof; and,
FIG. 7 is a bottom rear view thereof.

(56) **References Cited**

U.S. PATENT DOCUMENTS

2,761,232 A	*	9/1956	Garver	428/7
D185,906 S	*	8/1959	Burnbaum	D11/121
D350,080 S	*	8/1994	Andersen	D11/121
D431,795 S	*	10/2000	Manrique	D11/121

1 Claim, 3 Drawing Sheets



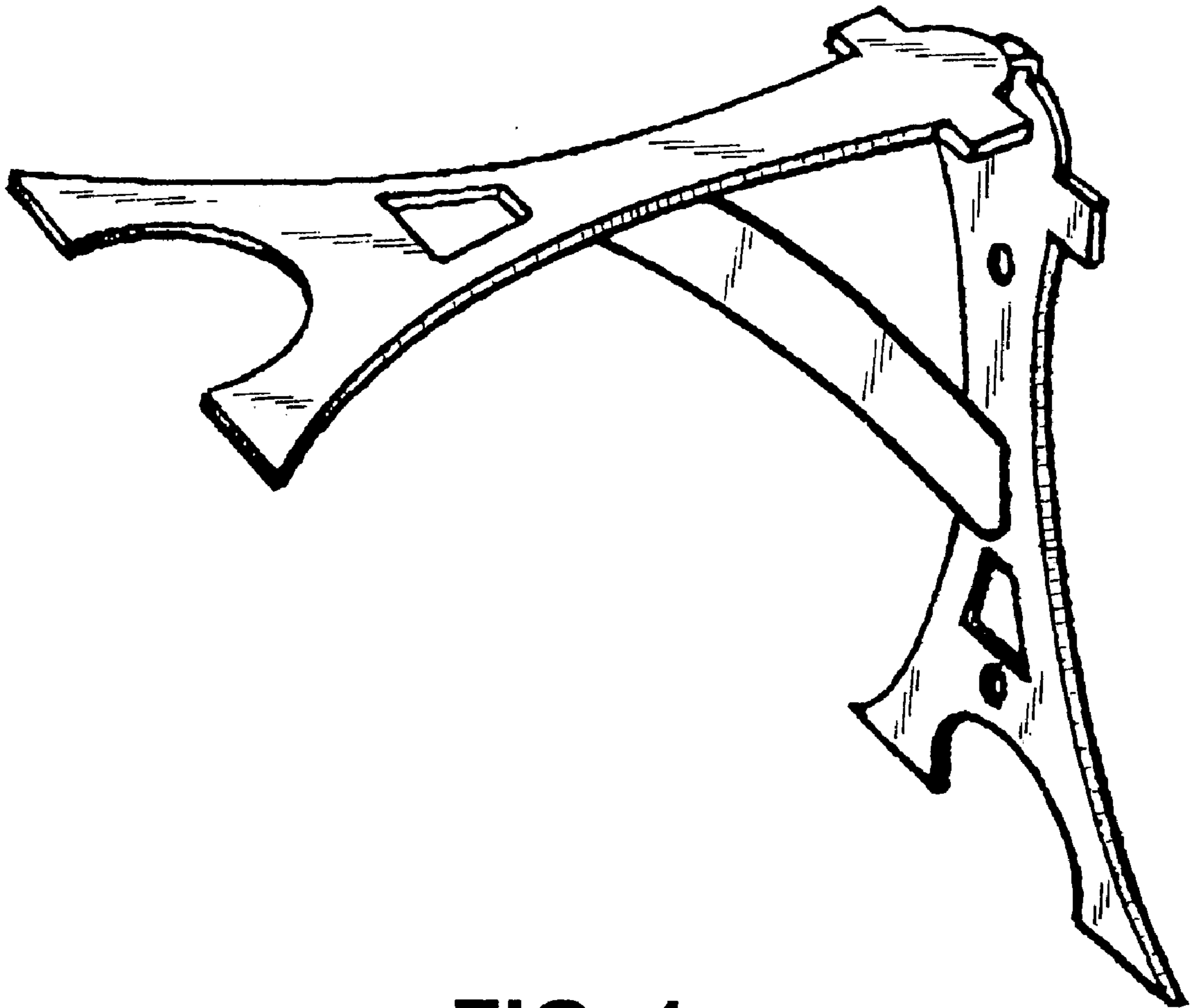


FIG. 1

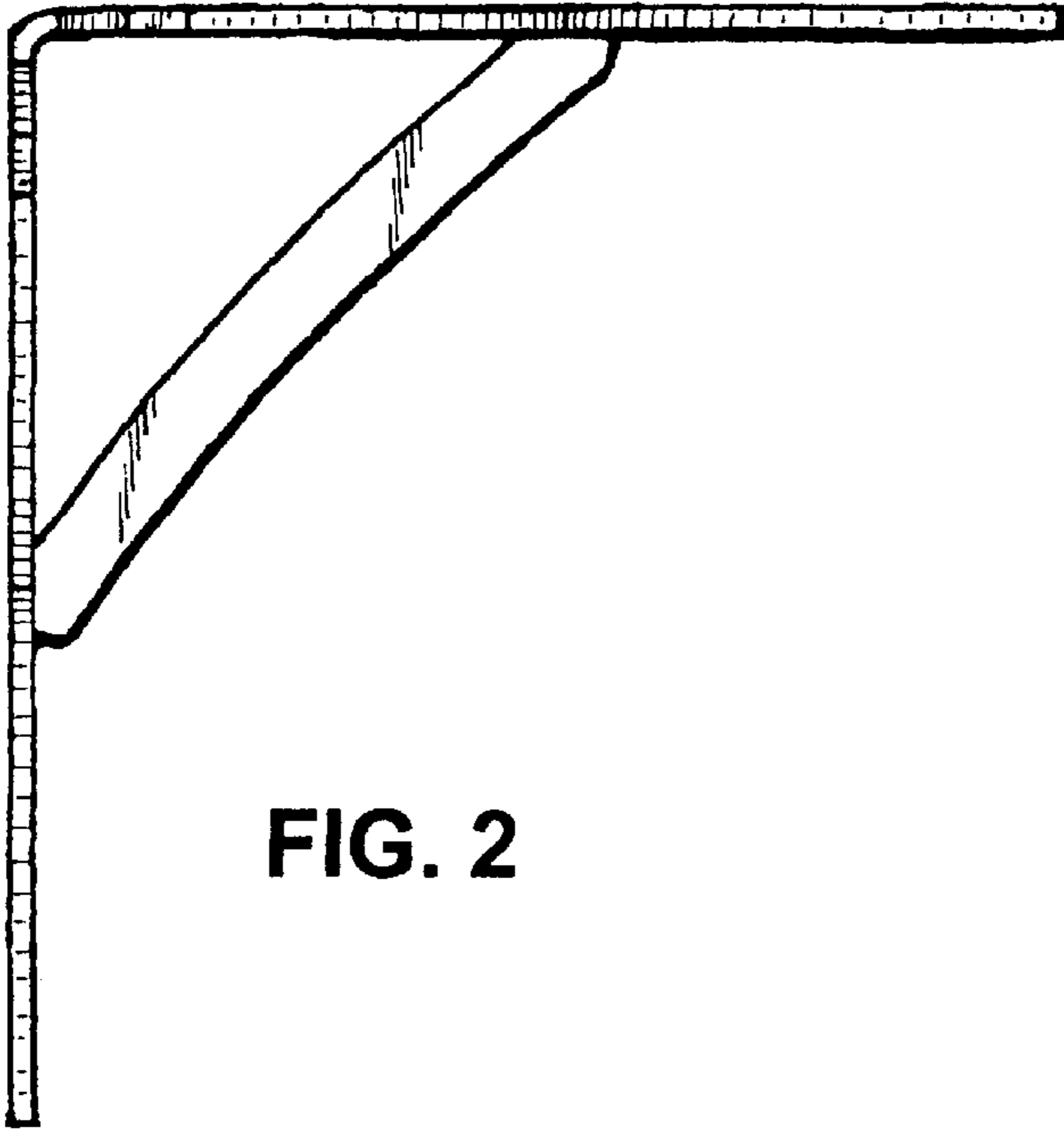


FIG. 2

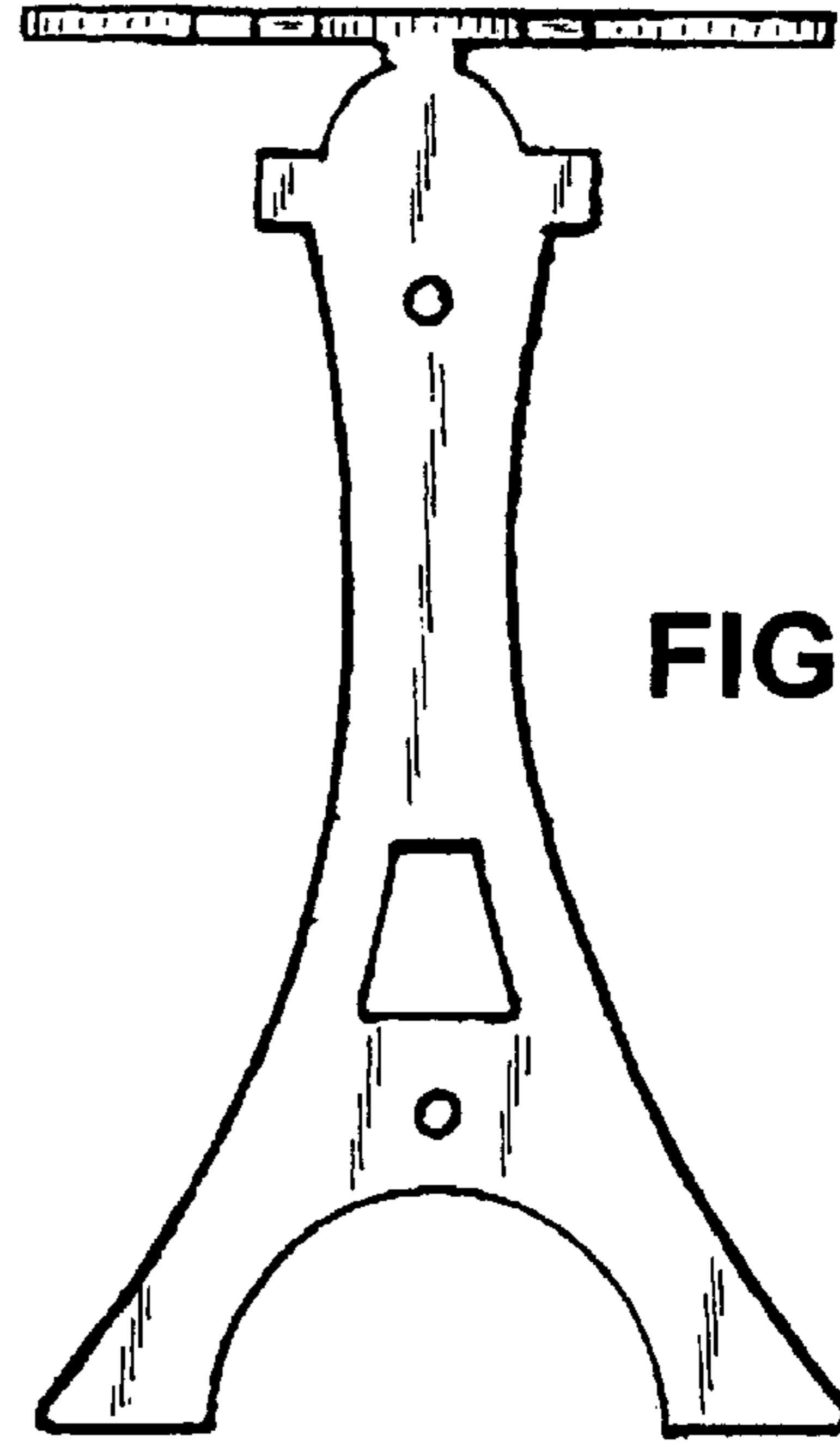


FIG. 3

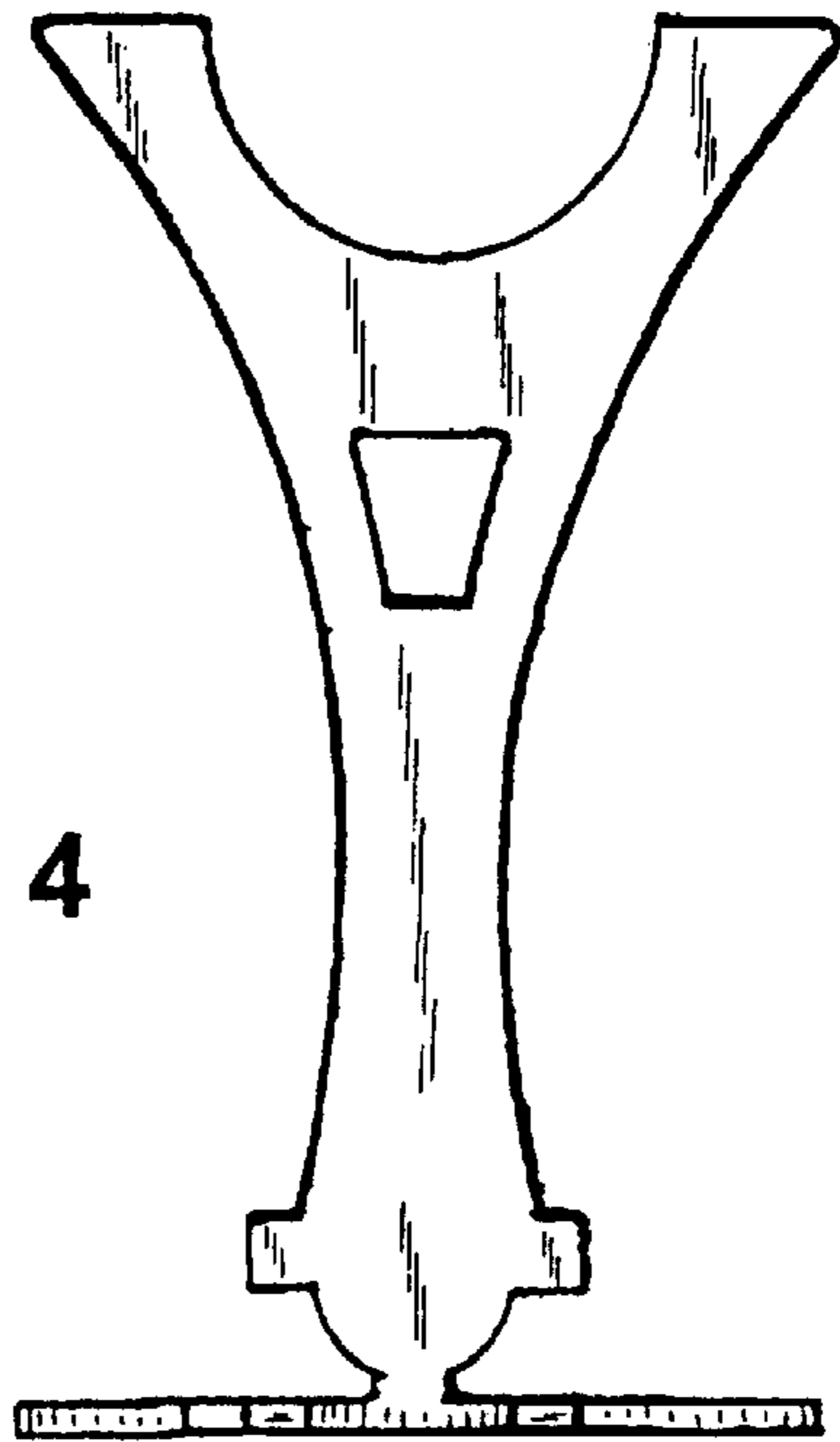


FIG. 4

FIG. 5

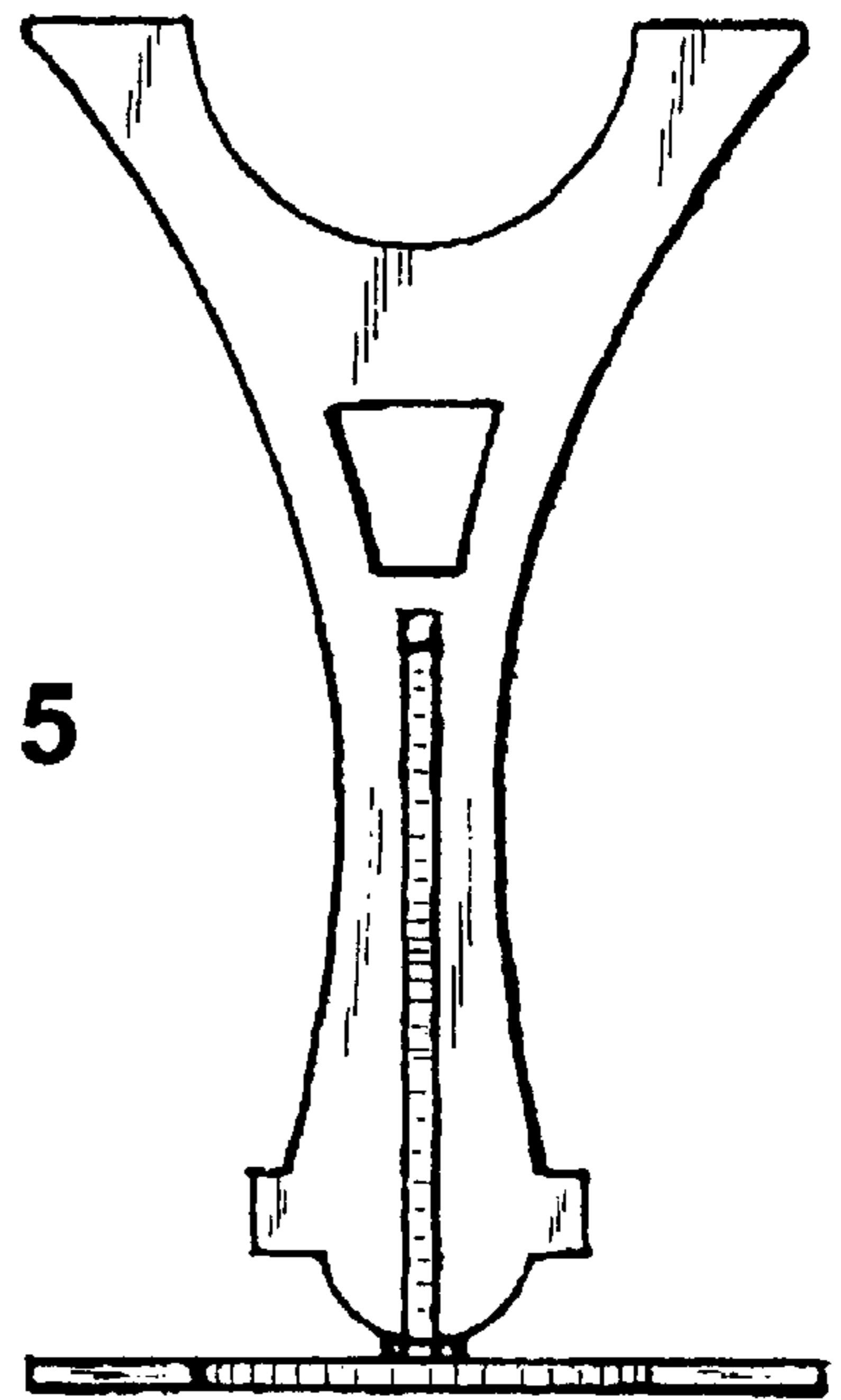


FIG. 6

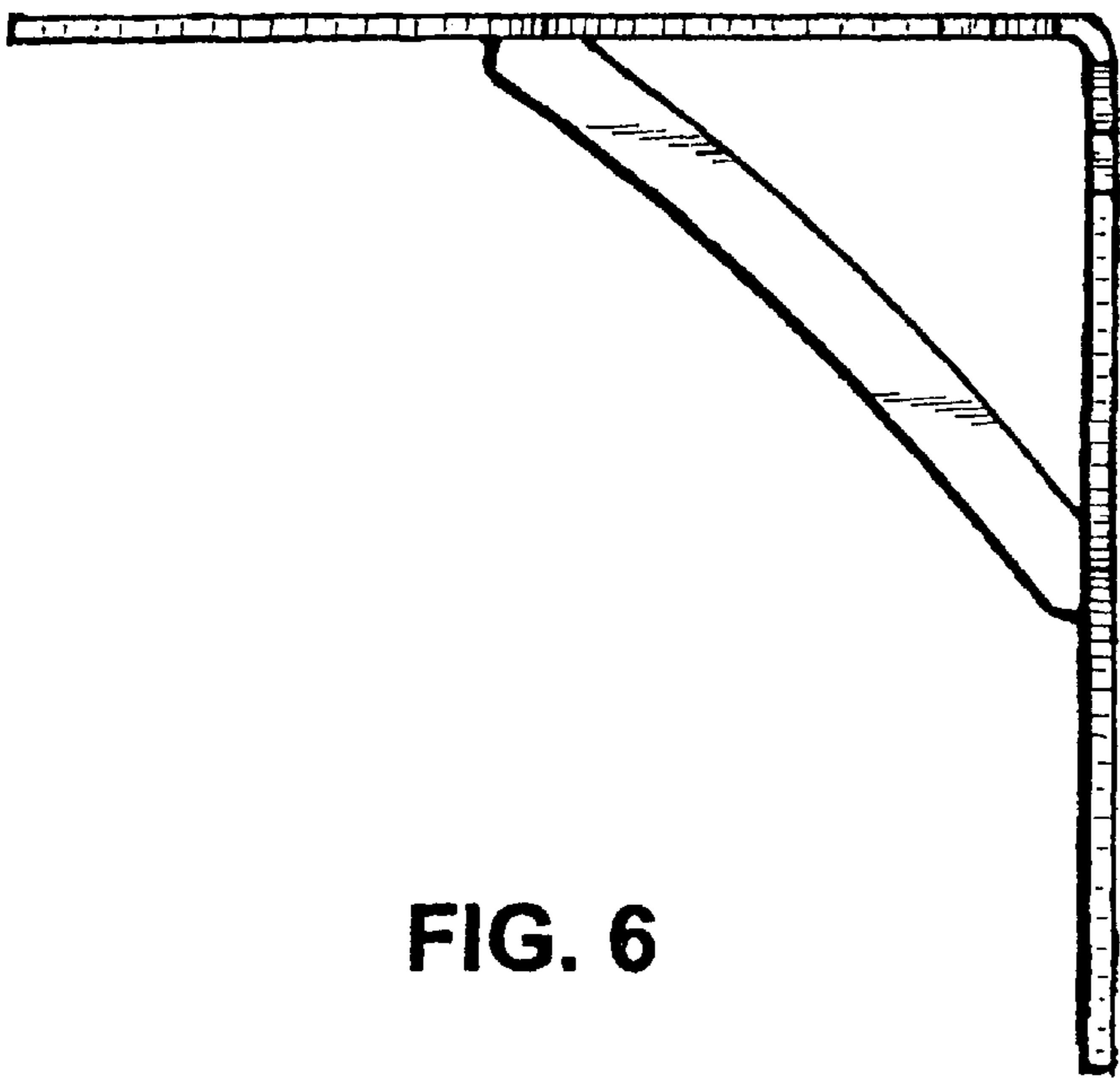


FIG. 7

