



US00D461140S

(12) **United States Design Patent**  
**Benhamou**

(10) **Patent No.:** **US D461,140 S**

(45) **Date of Patent:** **\*\* Aug. 6, 2002**

(54) **ORNAMENTAL EARNUT**

(75) **Inventor:** **Guy Benhamou**, Beverly Hills, CA  
(US)

(73) **Assignee:** **Aurafin-OroAmerica LLC**, Burbank,  
CA (US)

(\*\*) **Term:** **14 Years**

(21) **Appl. No.:** **29/132,435**

(22) **Filed:** **Nov. 8, 2000**

(51) **LOC (7) Cl.** ..... **11-02**

(52) **U.S. Cl.** ..... **D11/88**

(58) **Field of Search** ..... D11/1, 2, 7, 40,  
D11/41, 42, 88, 86; 63/1.11, 2, 3, 12, 13,  
20; 24/453, 705, 711.1, 706.9, 455, 90.5,  
106

(56) **References Cited**

**U.S. PATENT DOCUMENTS**

D197,907 S \* 4/1964 Armstrong ..... D11/88  
3,605,438 A \* 9/1971 Chalson ..... 63/20

4,397,067 A 8/1983 Rapseik  
D278,987 S \* 5/1985 Zauderer ..... D11/88  
4,580,417 A \* 4/1986 Sardelli ..... 63/12  
5,203,183 A \* 4/1993 Salerno ..... 63/12  
D363,683 S \* 10/1995 Spurgeon et al. .... D11/88

\* cited by examiner

*Primary Examiner*—Ralf Seifert

(57) **CLAIM**

The ornamental design for ornamental earnut, as shown and described.

**DESCRIPTION**

FIG. 1 is a perspective view showing an earnut according to my new design;  
FIG. 2 is a front elevational view of the earnut of FIG. 1;  
FIG. 3 is a back elevational view of the earnut of FIG. 1;  
FIG. 4 is a right side elevational view of the earnut of FIG. 1;  
FIG. 5 is a left side elevational view of the earnut of FIG. 1;  
FIG. 6 is a top plan view of the earnut of FIG. 1; and,  
FIG. 7 is a bottom plan view of the earnut of FIG. 1.

**1 Claim, 1 Drawing Sheet**

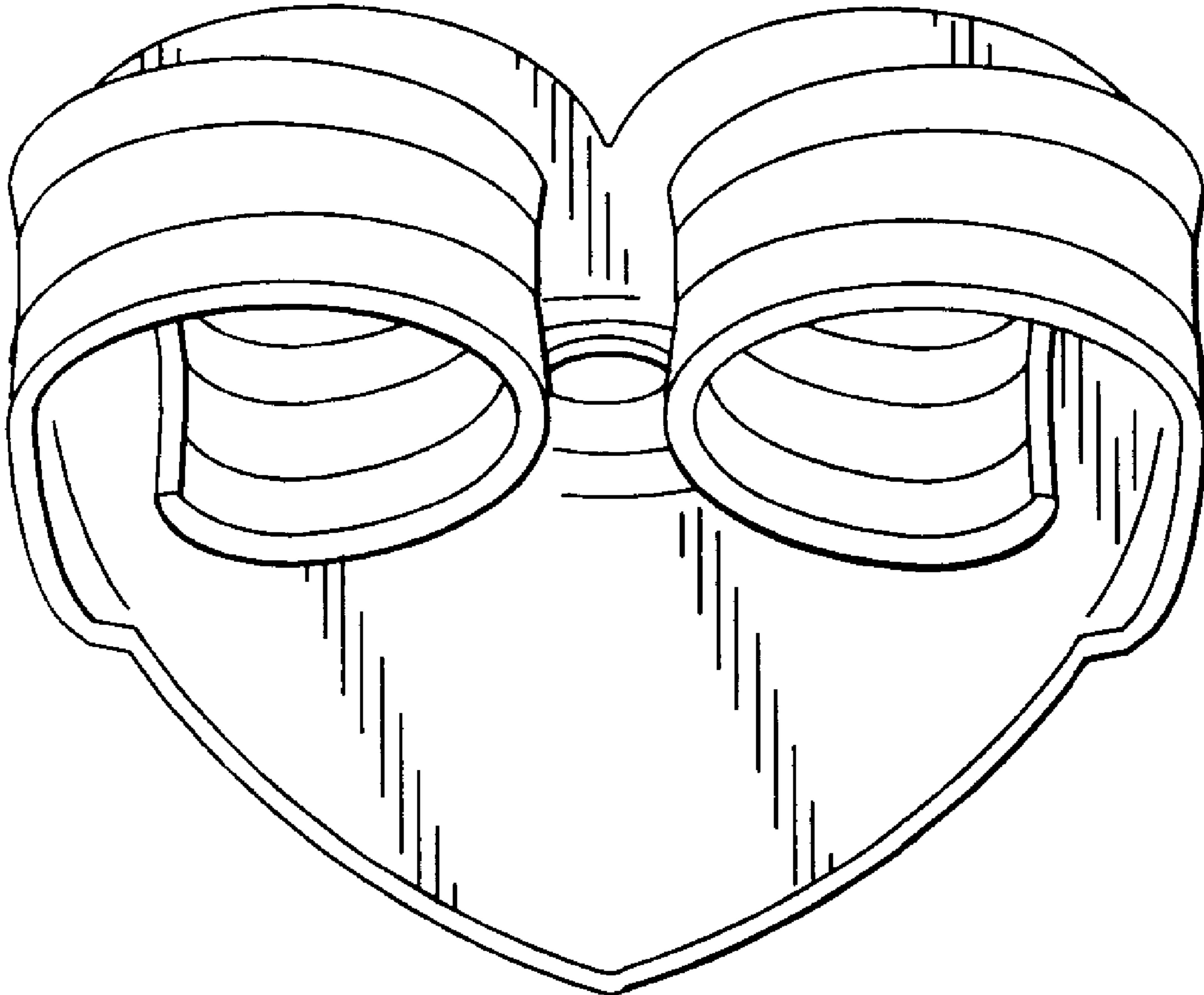


FIG. 1

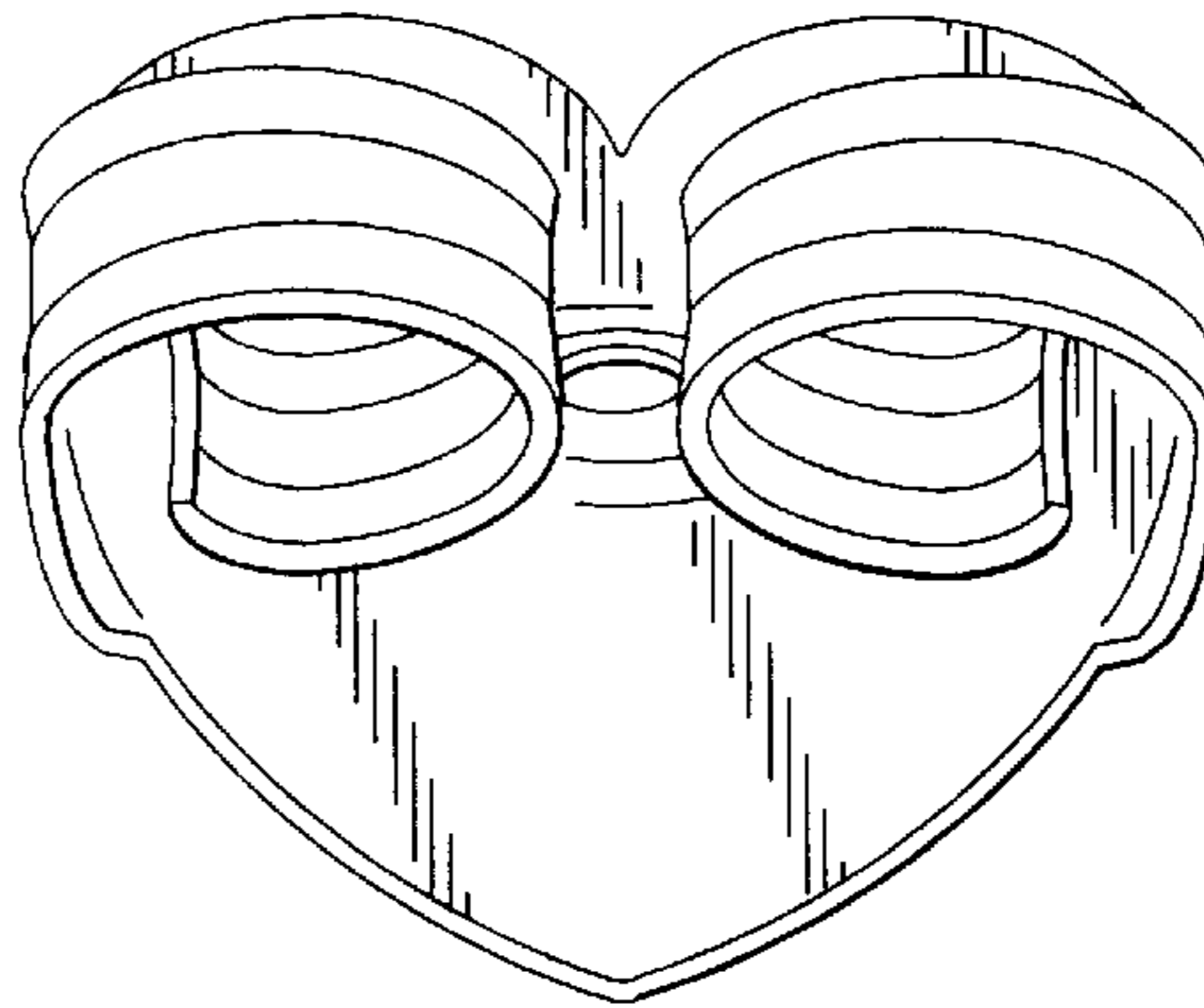


FIG. 2

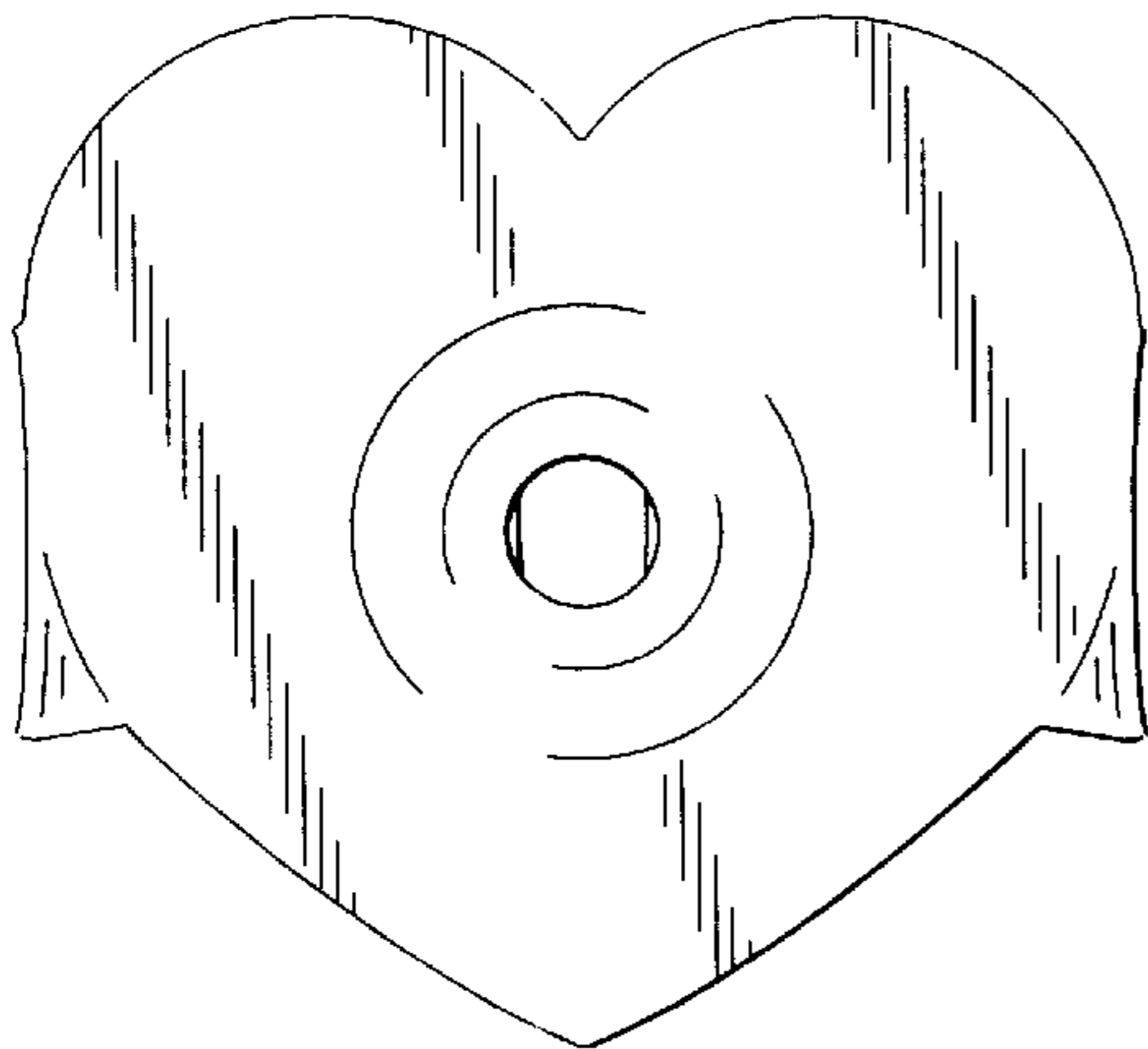


FIG. 3

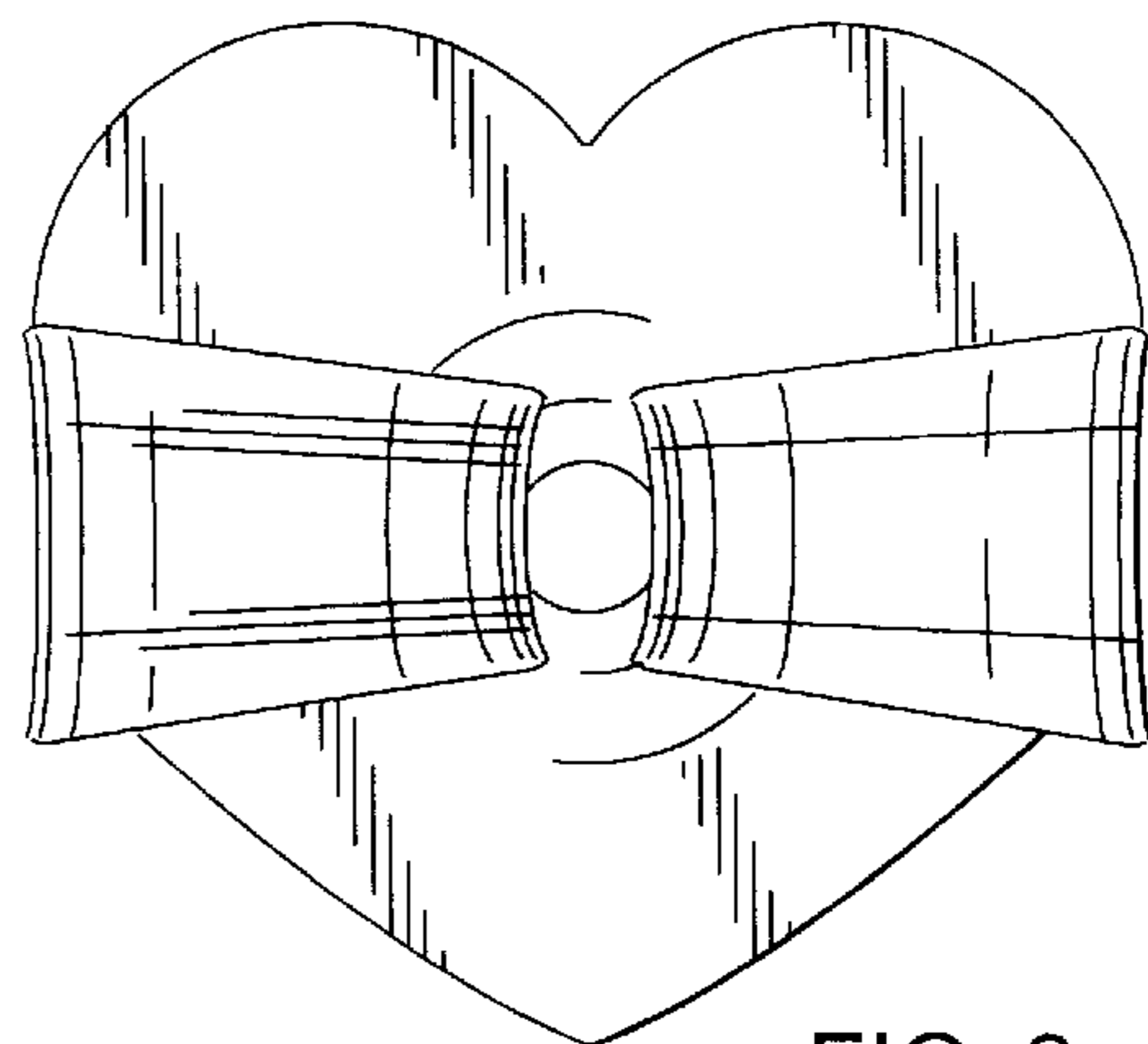


FIG. 4

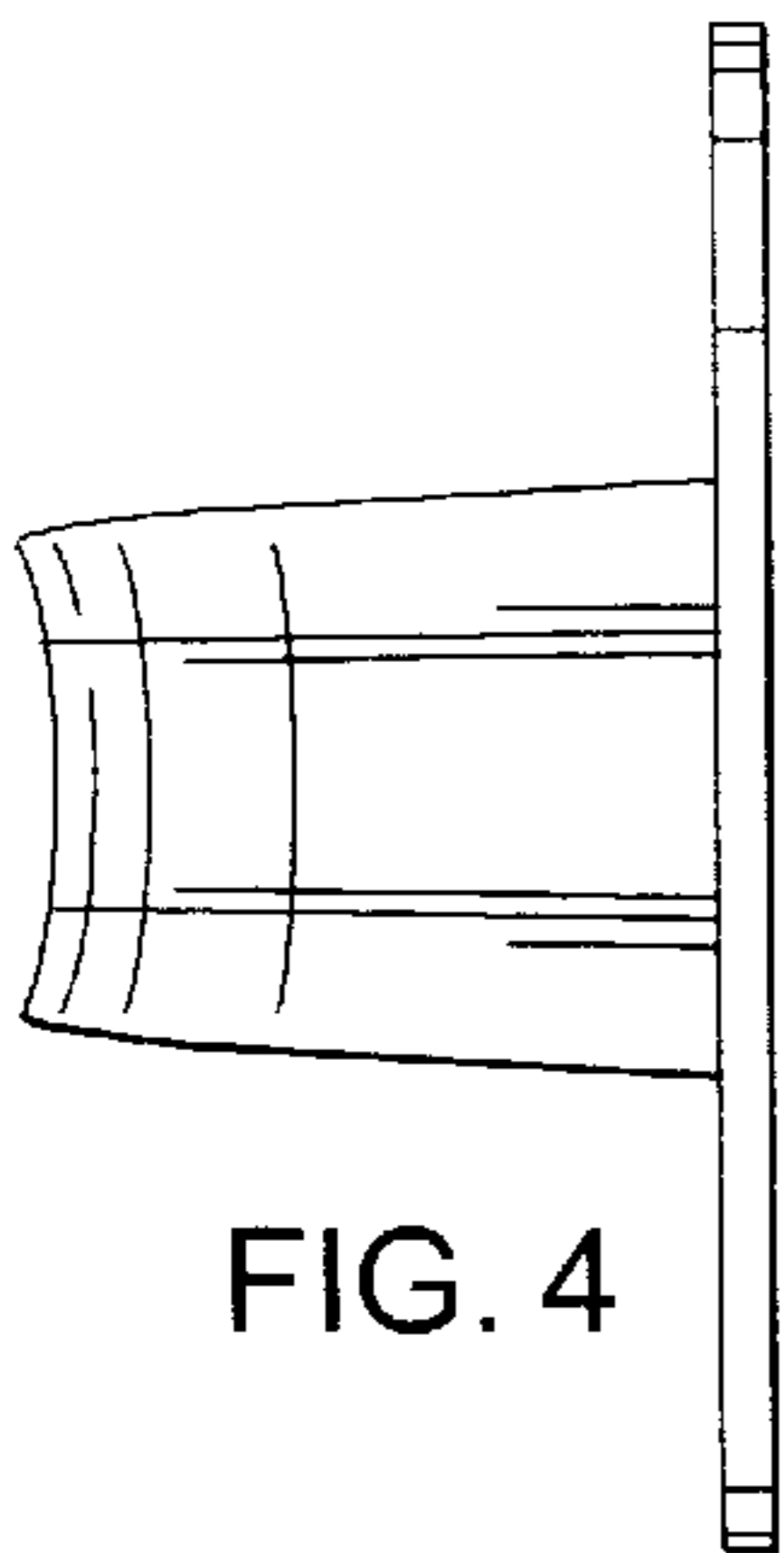


FIG. 5

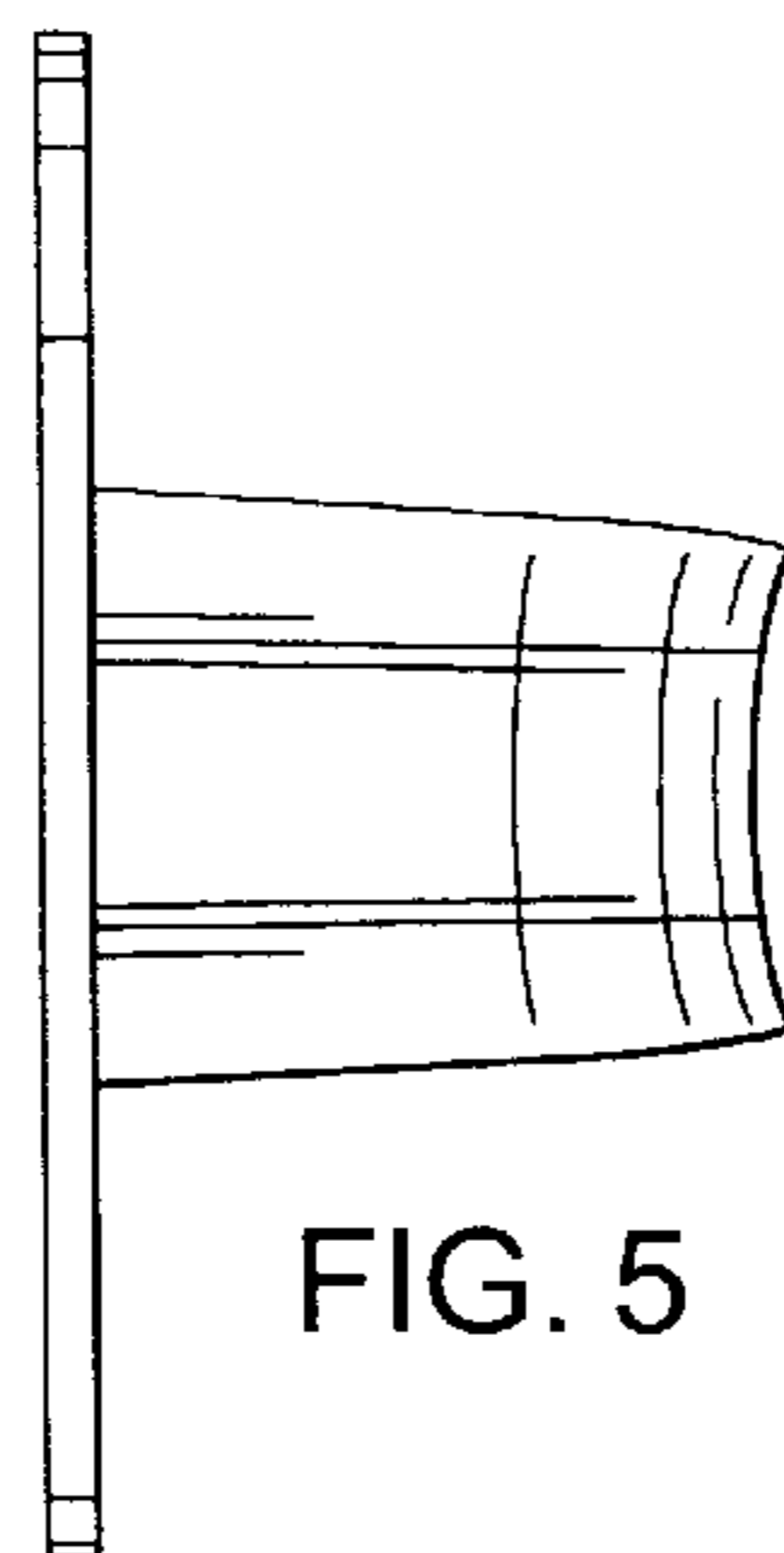


FIG. 6

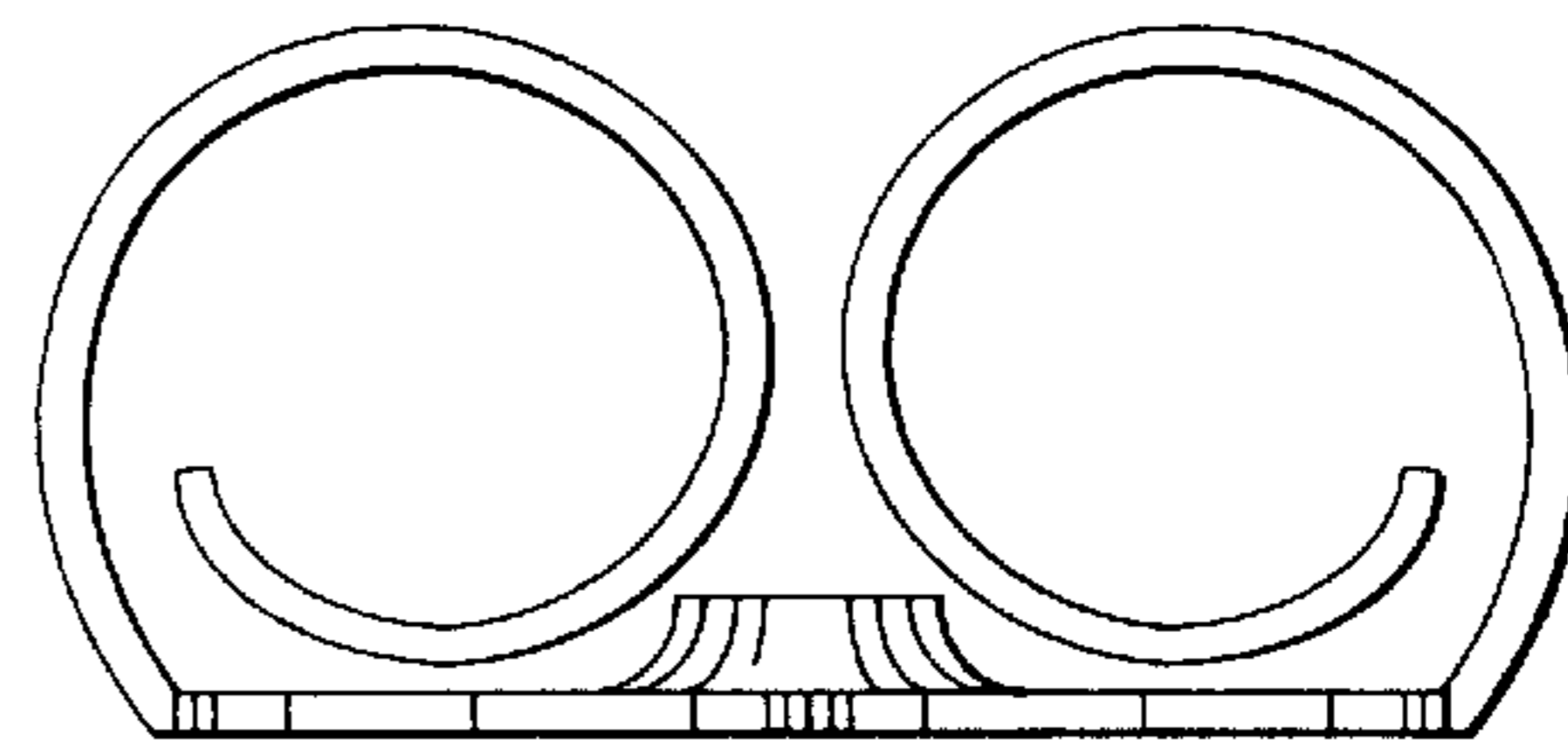


FIG. 7

