



US00D461136S

(12) **United States Design Patent** (10) **Patent No.:** **US D461,136 S**
Lin (45) **Date of Patent:** **** Aug. 6, 2002**

(54) **TAPE RULER**

Primary Examiner—Antoine Duval Davis
(74) *Attorney, Agent, or Firm*—Troxell Law Office PLLC

(75) **Inventor:** **Henry Lin**, Taipei (TW)

(73) **Assignee:** **Index Measuring Tape Co., Ltd.** (TW)

(57) **CLAIM**

(**) **Term:** **14 Years**

The ornamental design for a tape ruler, as shown and described.

(21) **Appl. No.:** **29/150,228**

(22) **Filed:** **Nov. 15, 2001**

DESCRIPTION

(51) **LOC (7) Cl.** **10-04**

FIG. 1 is a front elevational view of a yape ruler showing my new design;

(52) **U.S. Cl.** **D10/72**

FIG. 2 is a rear elevational view thereof;

(58) **Field of Search** D10/72; 33/755-770

FIG. 3 is a left side elevational view thereof;

(56) **References Cited**

FIG. 4 is a right side elevational view thereof;

U.S. PATENT DOCUMENTS

FIG. 5 is a top plan elevational view thereof;

4,527,334 A * 7/1985 Jones et al. 33/761

FIG. 6 is a bottom plan elevational view thereof; and,

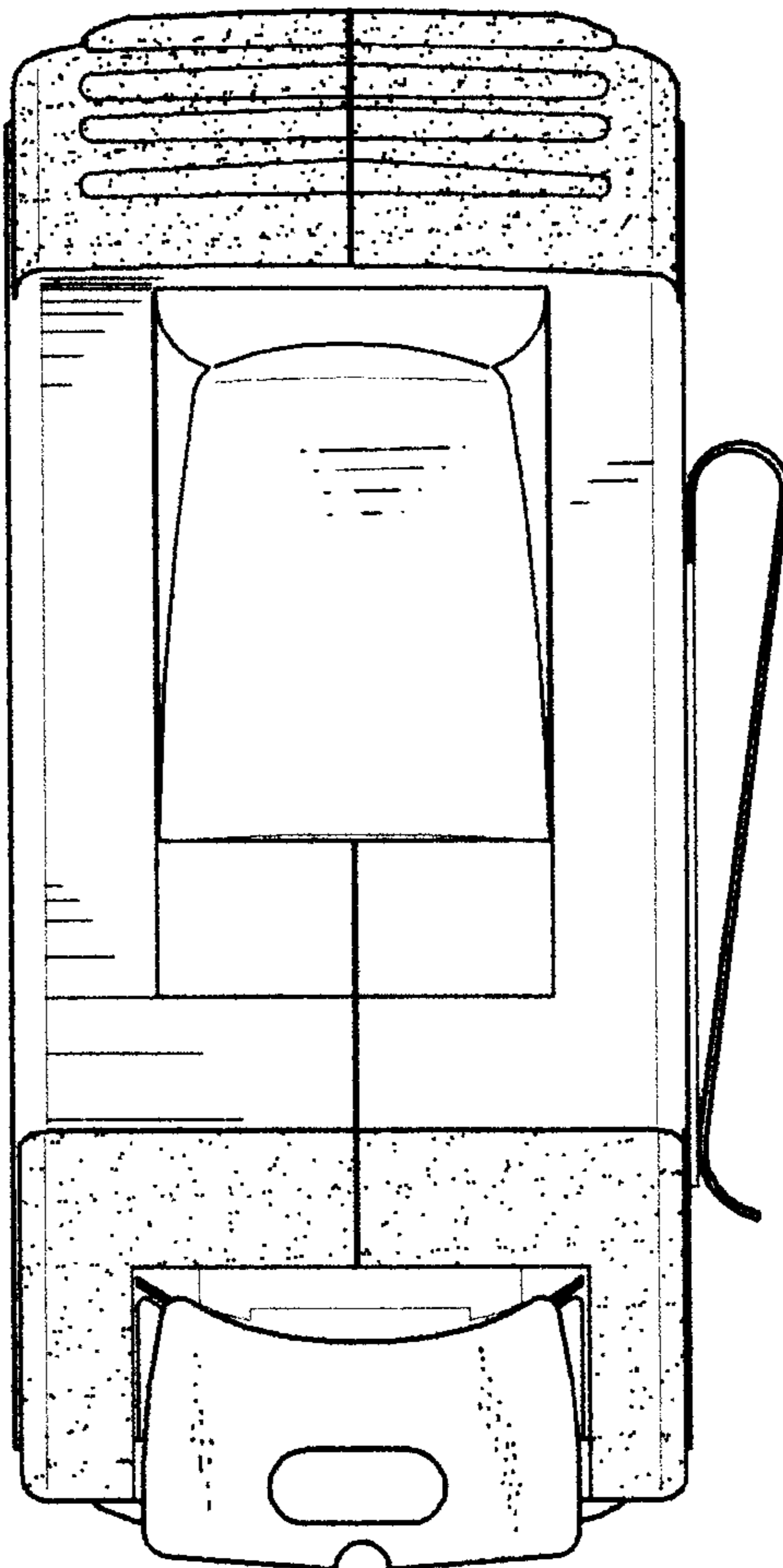
4,927,092 A * 5/1990 Ingram, II et al. 33/767

FIG. 7 is a top, front and right perspective elevational view thereof.

D449,546 S * 10/2001 Lee D10/72

* cited by examiner

1 Claim, 7 Drawing Sheets



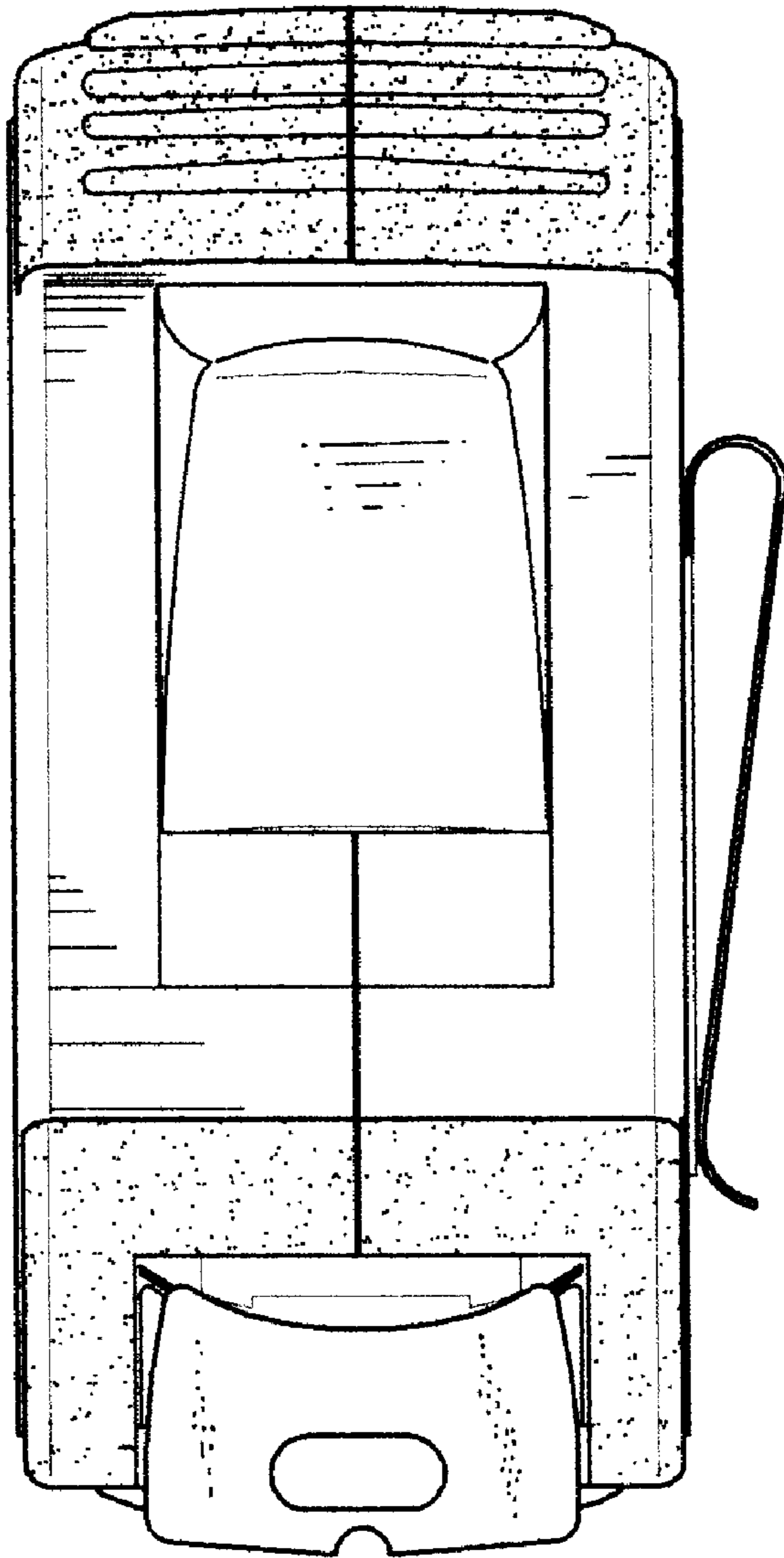


FIG. 1

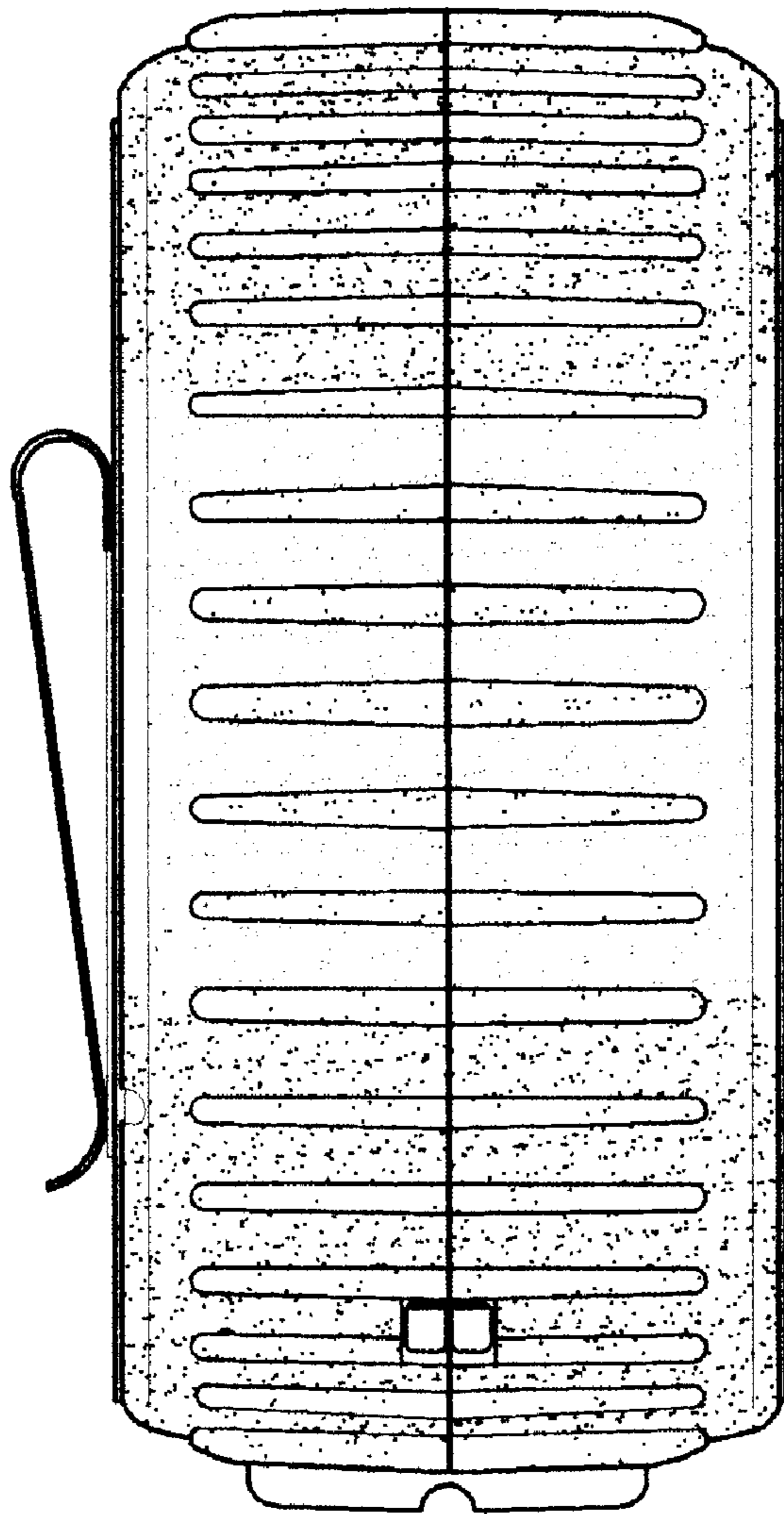


FIG. 2

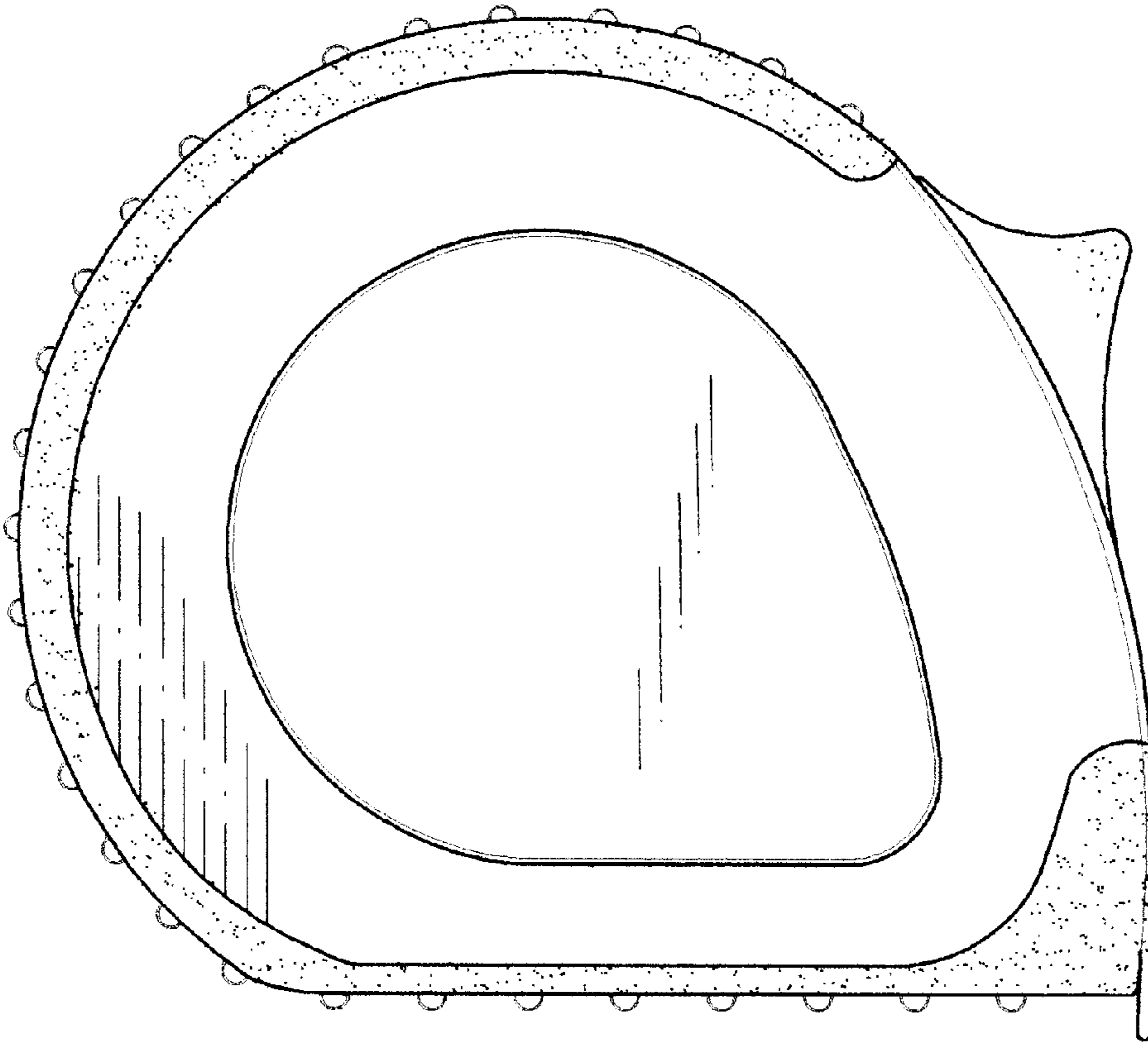


FIG. 3

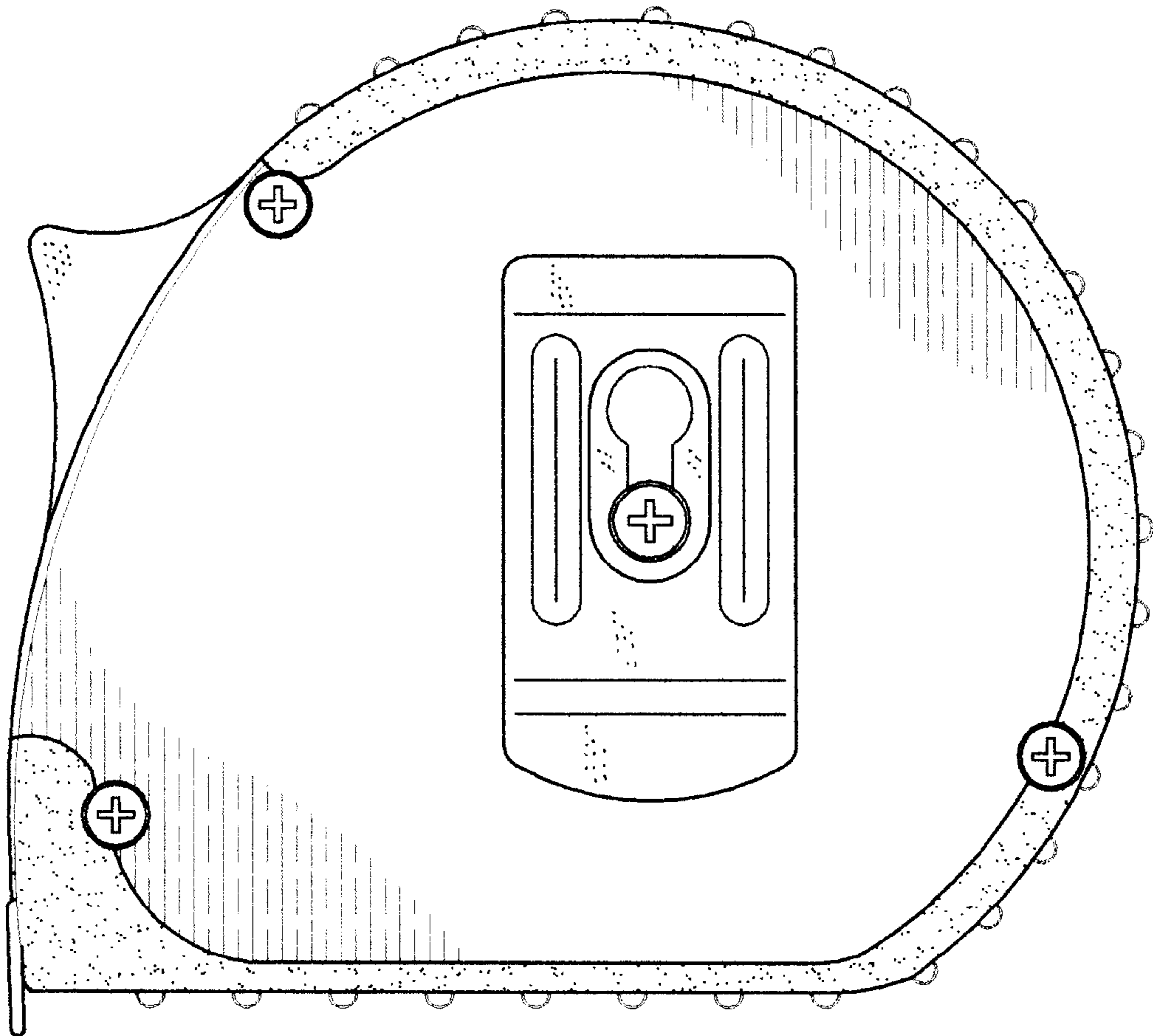


FIG. 4

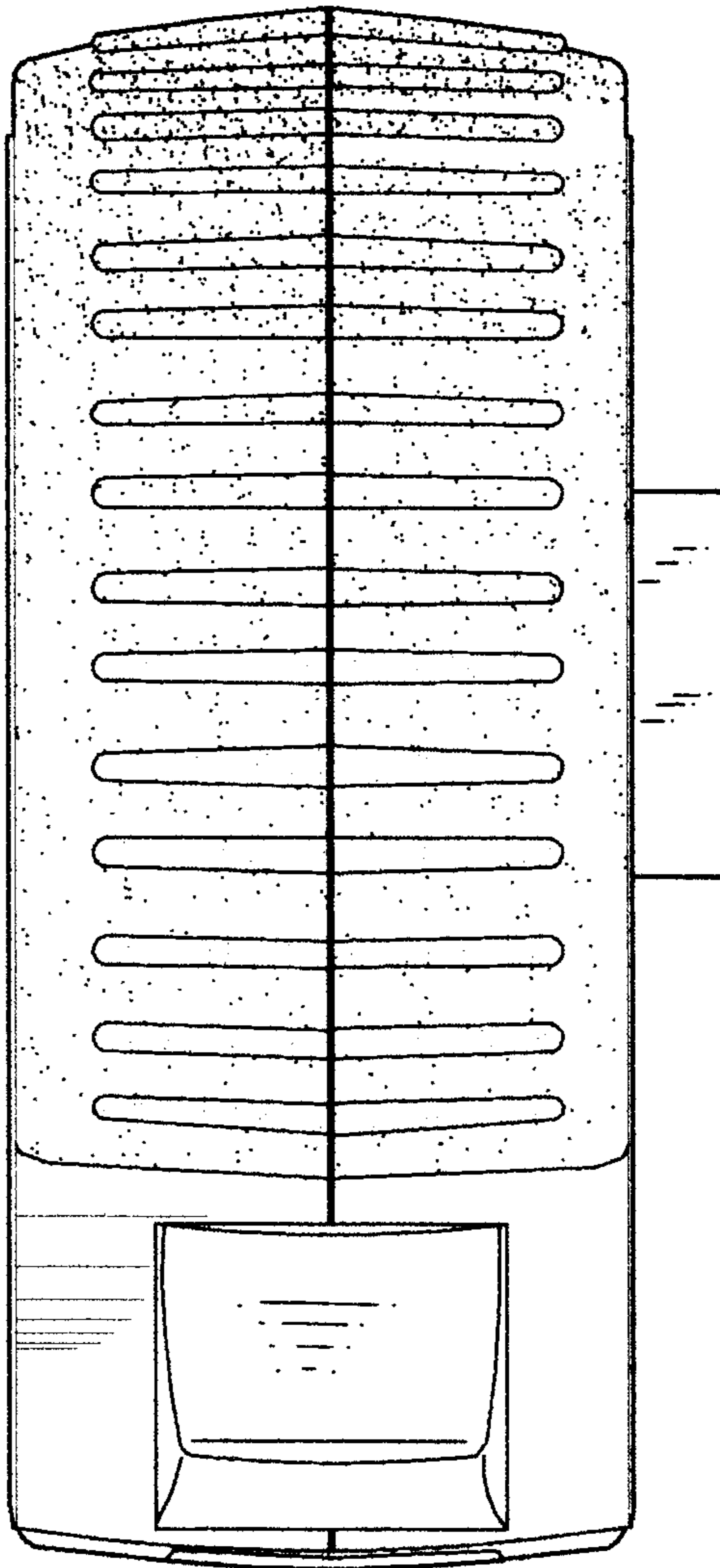


FIG. 5

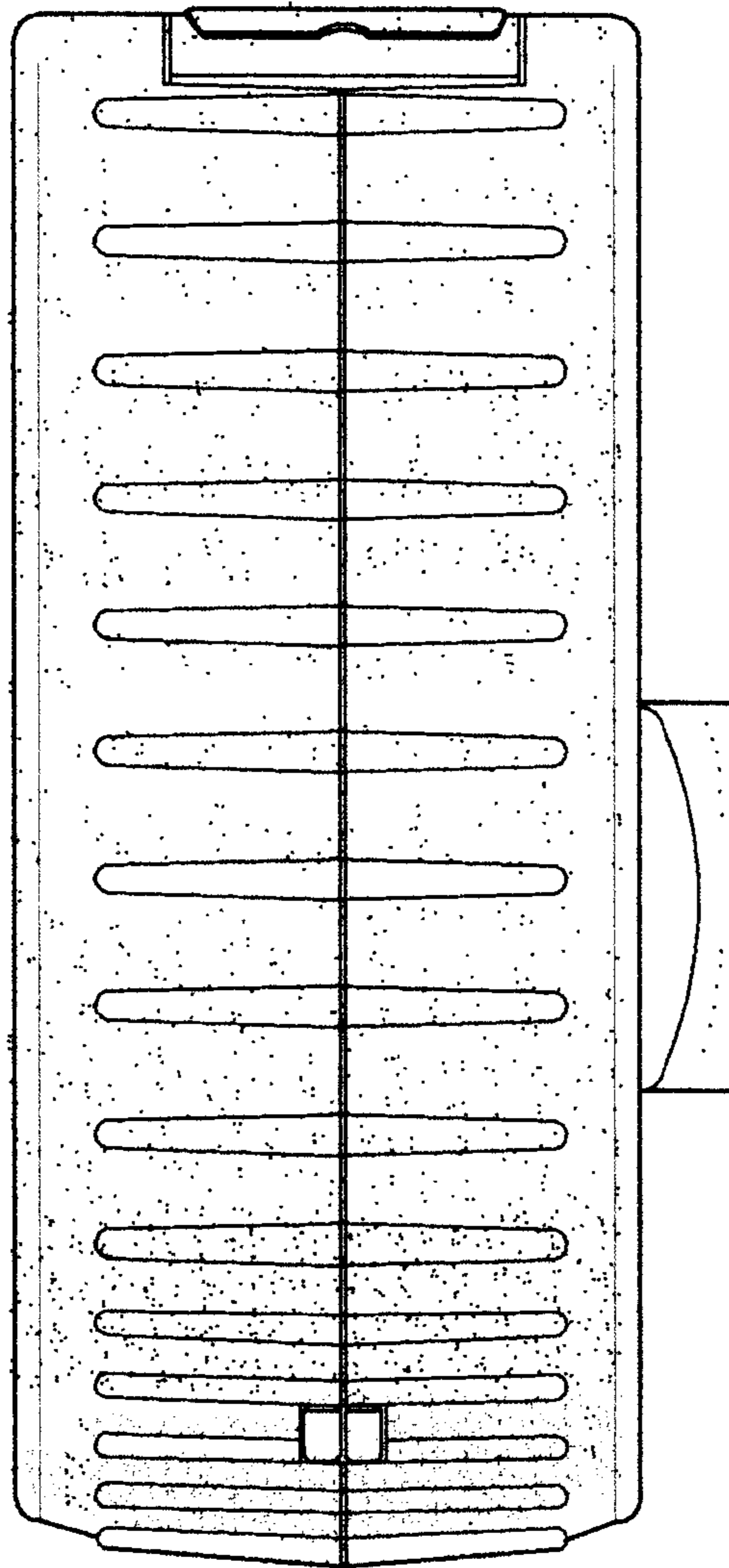


FIG. 6

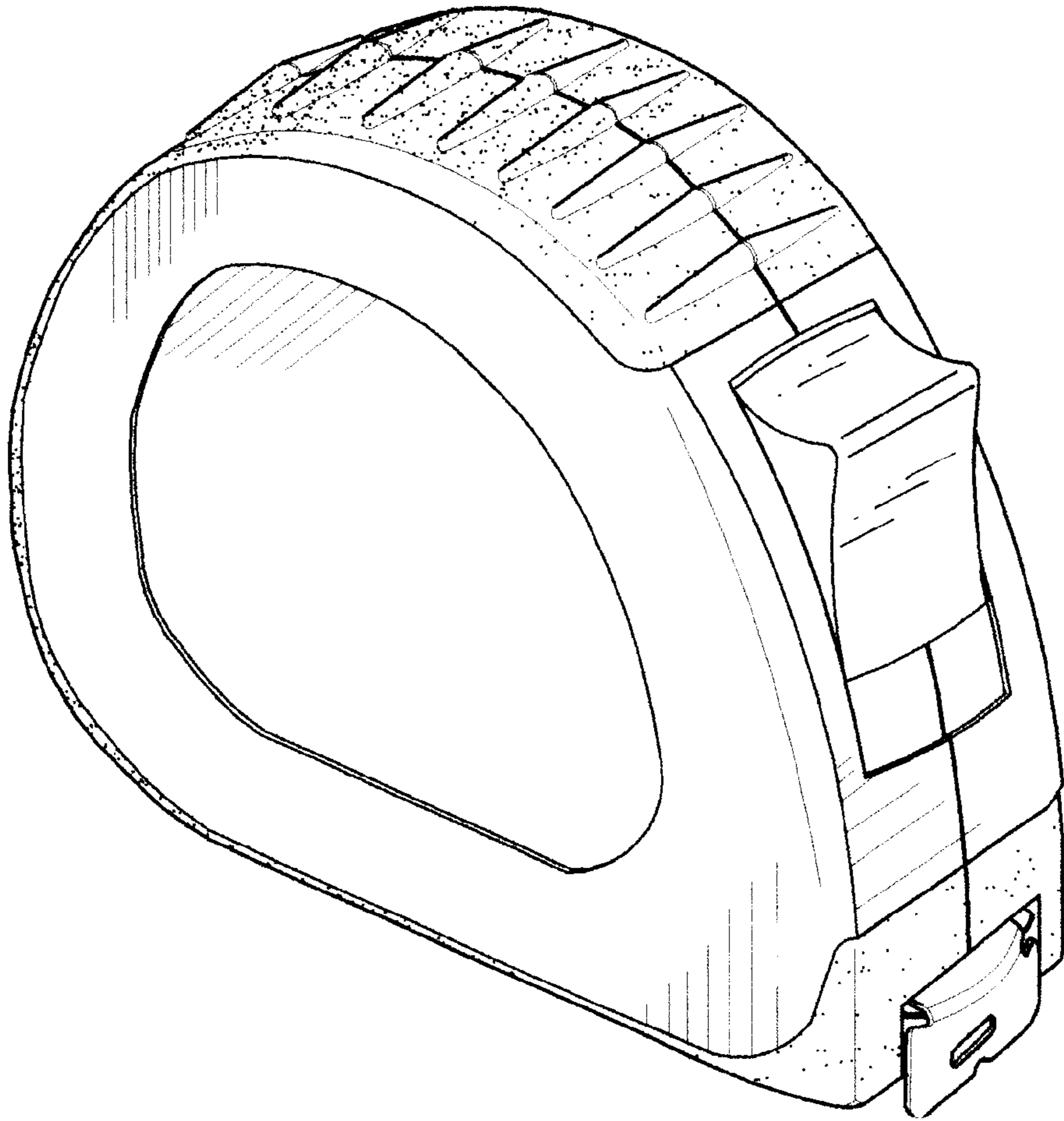


FIG. 7