



US00D461135S

(12) **United States Design Patent**
Watson et al.

(10) **Patent No.: US D461,135 S**
(45) **Date of Patent: ** Aug. 6, 2002**

(54) **LASER LEVEL**

(75) Inventors: **James B. Watson**, Fallston; **Daniel N. Lopano**, Towson, both of MD (US)

(73) Assignee: **Black & Decker Inc.**, Newark, DE (US)

(**) Term: **14 Years**

(21) Appl. No.: **29/149,826**

(22) Filed: **Oct. 18, 2001**

(51) **LOC (7) Cl.** **10-04**

(52) **U.S. Cl.** **D10/69; D10/66**

(58) **Field of Search** D10/66, 69; 33/291, 33/295-299, DIG. 21, 292-294; 356/138, 249, 250, 139-155; 372/9-30

(56) **References Cited**

U.S. PATENT DOCUMENTS

D418,432 S * 1/2000 Krantz D10/69
D429,481 S * 8/2000 Ishii D10/66 X
6,314,650 B1 * 11/2001 Falb 33/291

* cited by examiner

Primary Examiner—Antoine Duval Davis

(74) *Attorney, Agent, or Firm*—Adan Ayala

(57) **CLAIM**

The ornamental design for a laser level, as shown and described.

DESCRIPTION

FIG. 1 is a front perspective view from the right side of a first embodiment of a laser level showing our new design.

FIG. 2 is a front elevational view of the first embodiment. FIG. 3 is a rear elevational view of the first embodiment. FIG. 4 is a right side elevational view of the first embodiment. FIG. 5 is a left side elevational view of the first embodiment. FIG. 6 is a top plan view of the first embodiment. FIG. 7 is a bottom plan view of the first embodiment. FIG. 8 is a front perspective view from the right side of a second embodiment of a laser level showing our new design, where the laser level of FIG. 1 is installed in a first position on a support assembly. FIG. 9 is a front elevational view of the second embodiment. FIG. 10 is a rear elevational view of the second embodiment. FIG. 11 is a right side elevational view of the second embodiment. FIG. 12 is a left side elevational view of the second embodiment. FIG. 13 is a top plan view of the second embodiment. FIG. 14 is a bottom plan view of the second embodiment. FIG. 15 is a front perspective view from the left side of a third embodiment of a laser level showing our new design, where the laser level of FIG. 1 is installed in a second position on the support assembly. FIG. 16 is a top plan view of the third embodiment. FIG. 17 is a bottom plan view of the third embodiment. FIG. 18 is a right side elevational view of the third embodiment. FIG. 19 is a left side elevational view of the third embodiment. FIG. 20 is a front elevational view of the third embodiment; and, FIG. 21 is a rear elevational view of the third embodiment. In the above drawings, any wording or numerals shown therein does not form a part of the invention.

1 Claim, 21 Drawing Sheets

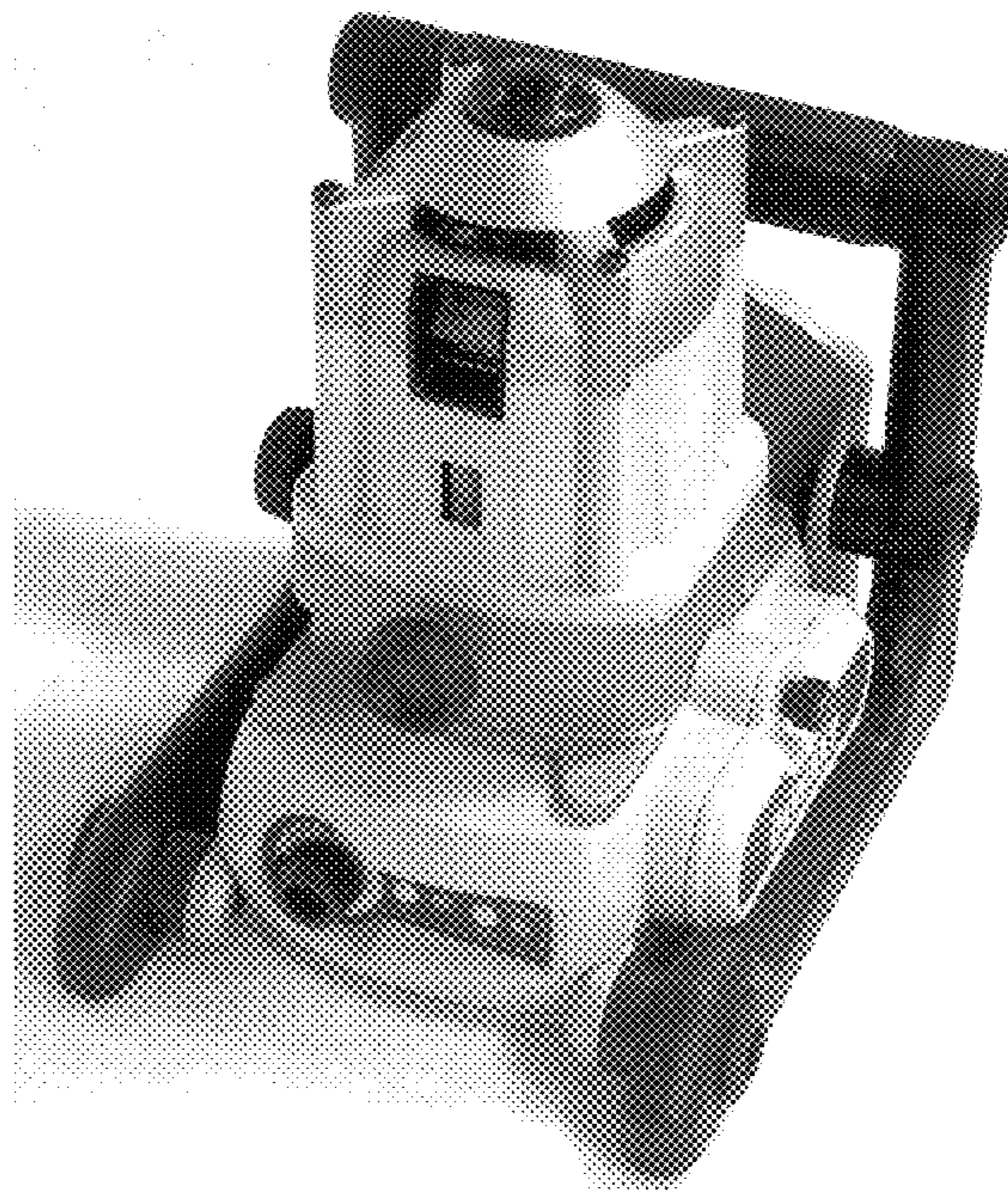




FIG. 1

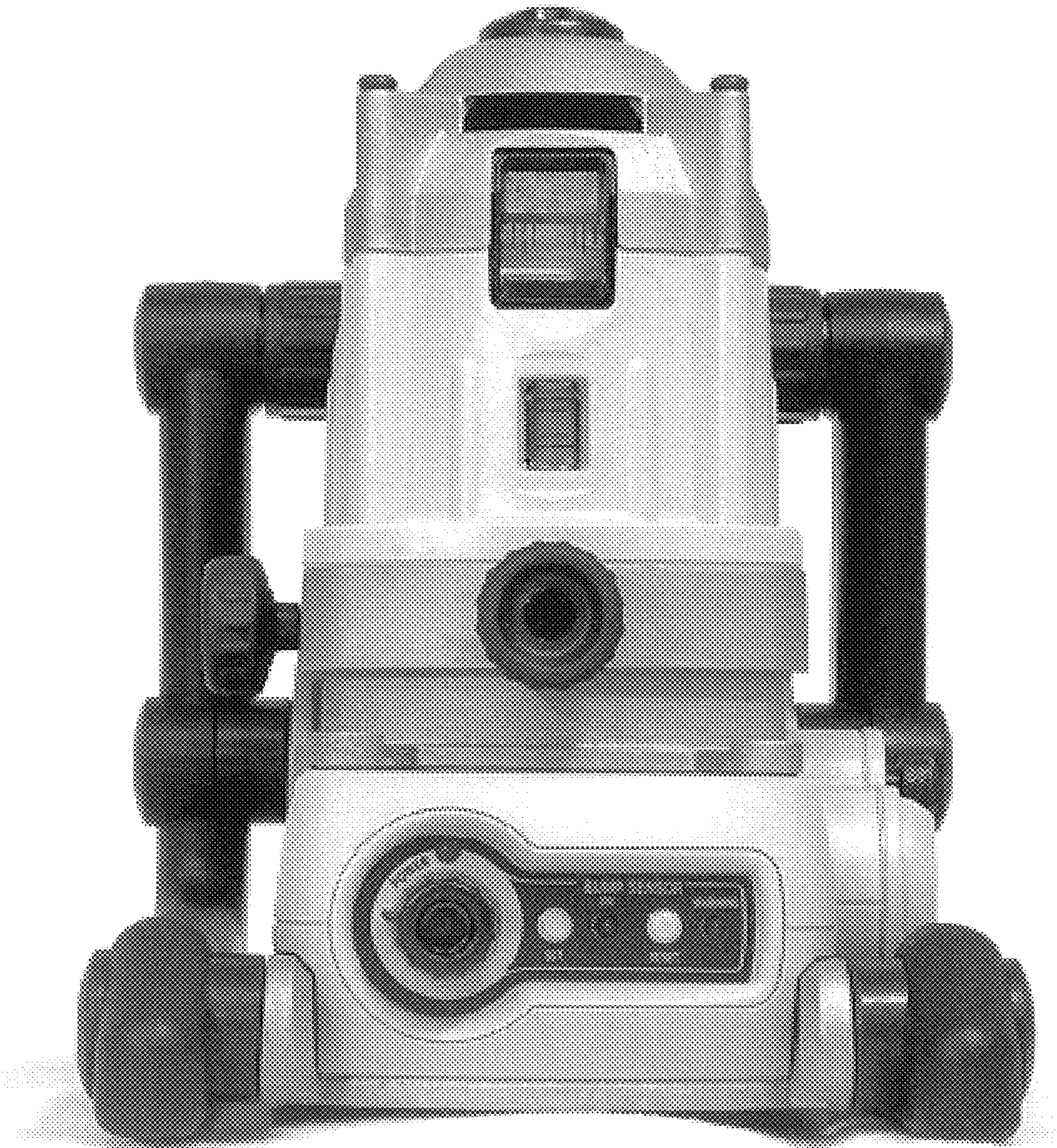


FIG. 2

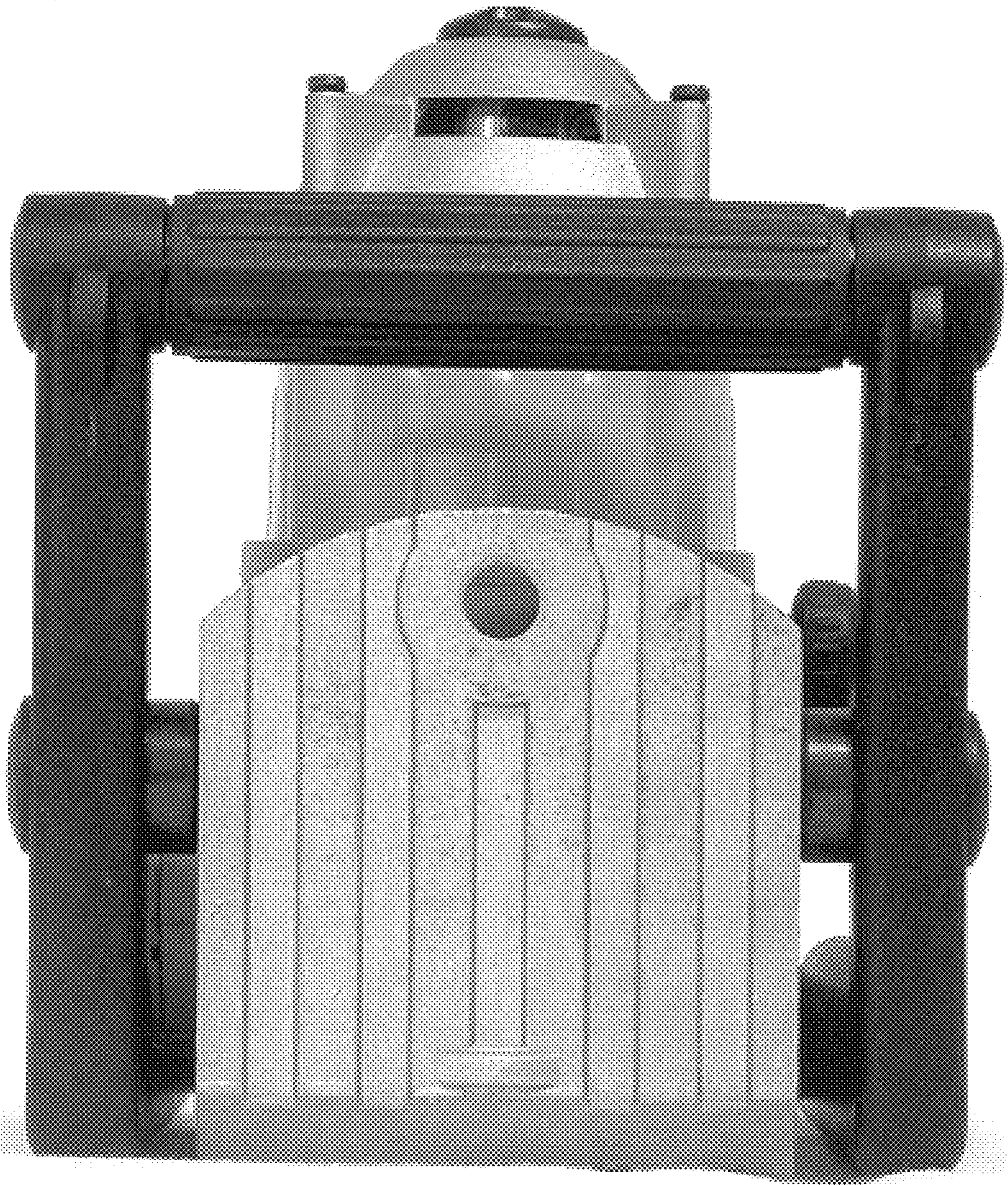


FIG. 3

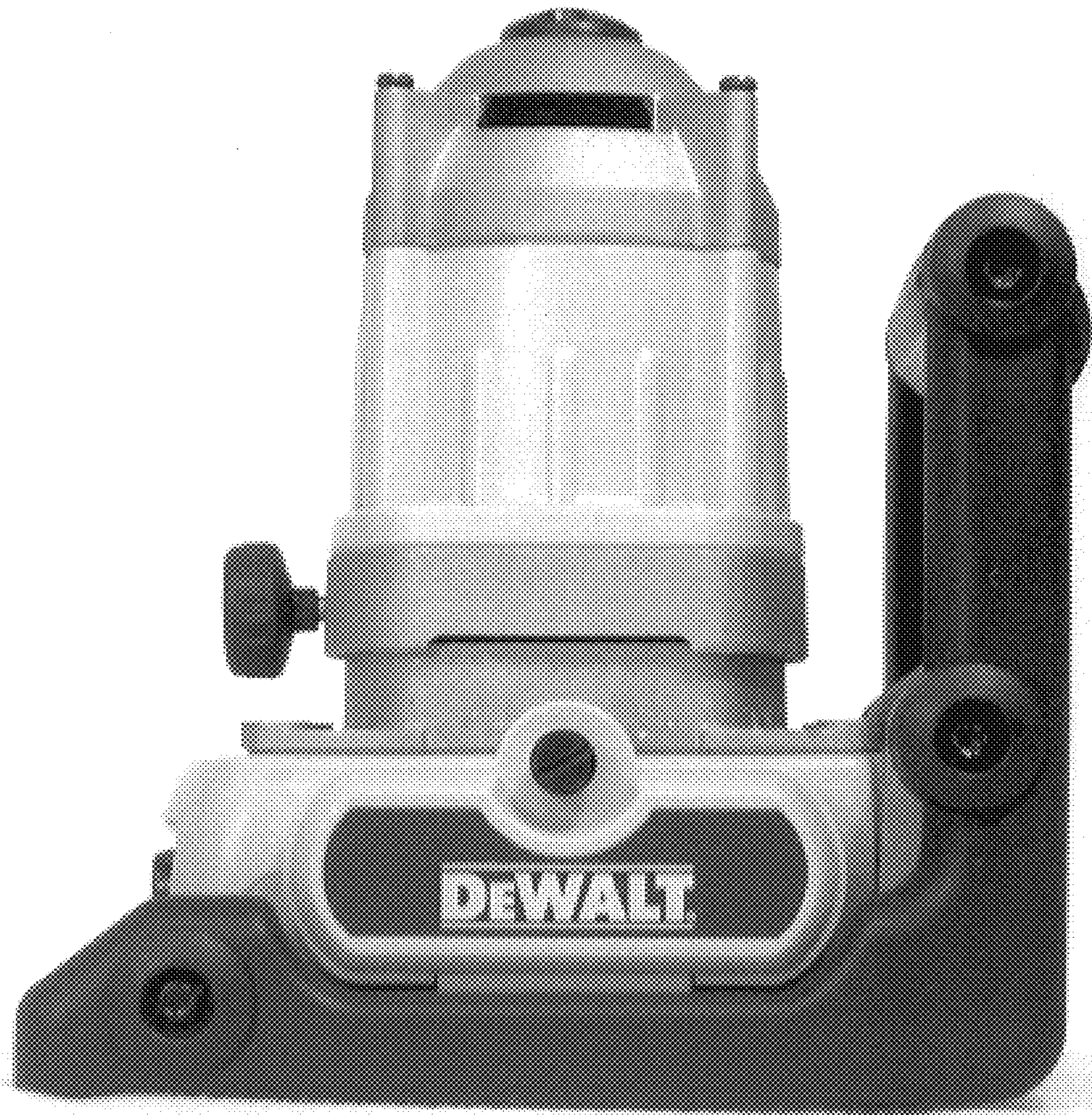


FIG. 4

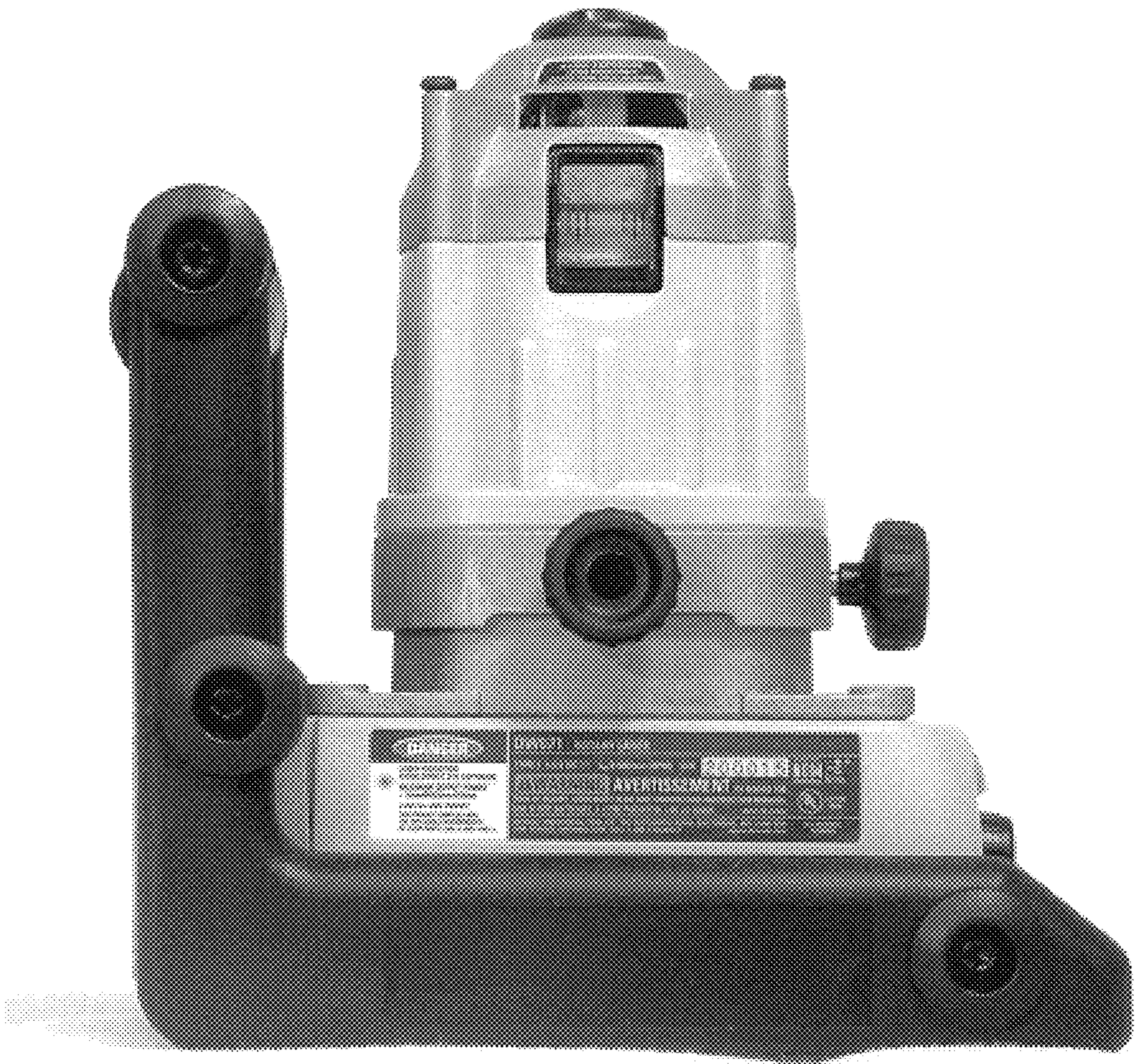


FIG. 5

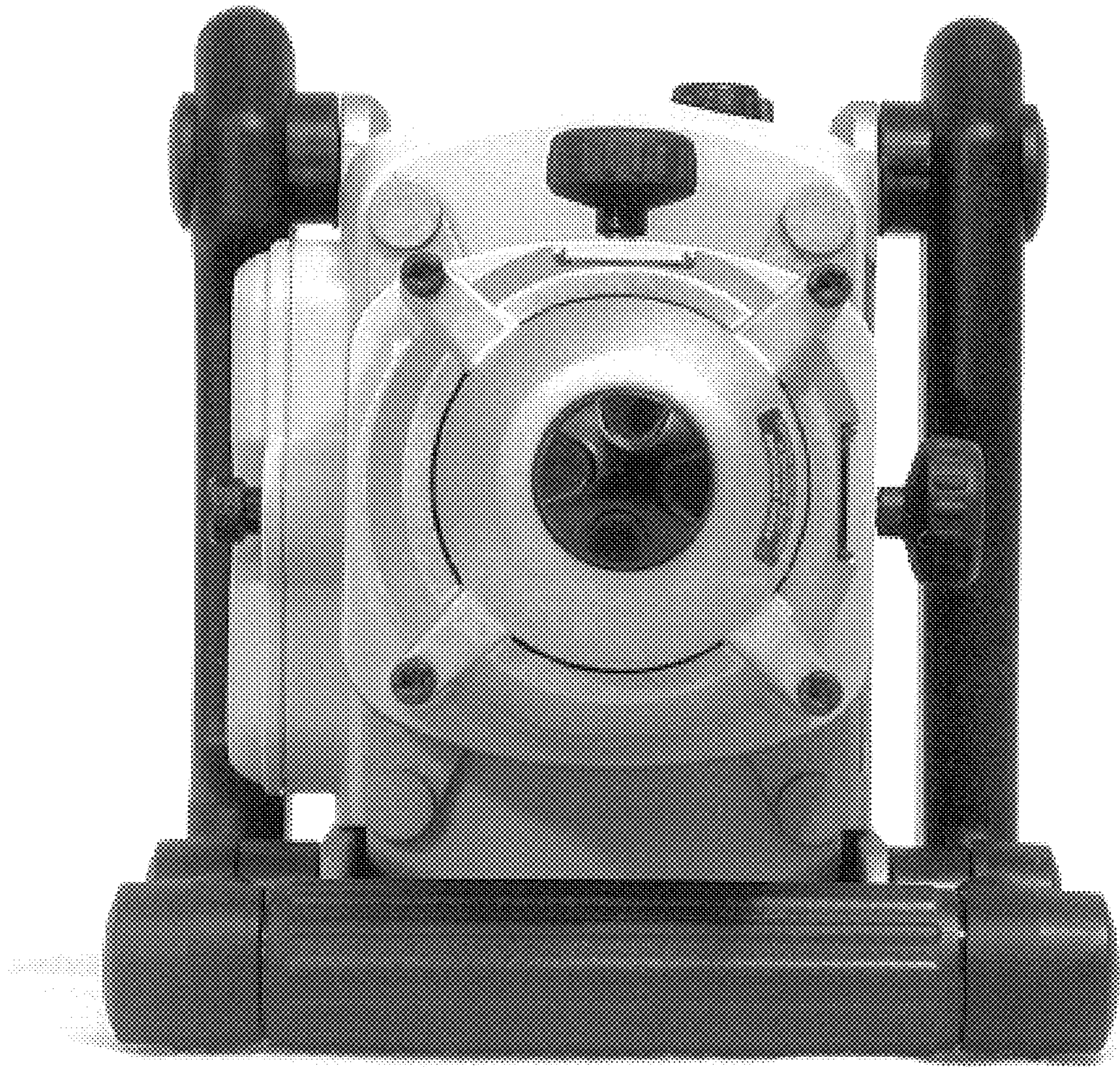


FIG. 6

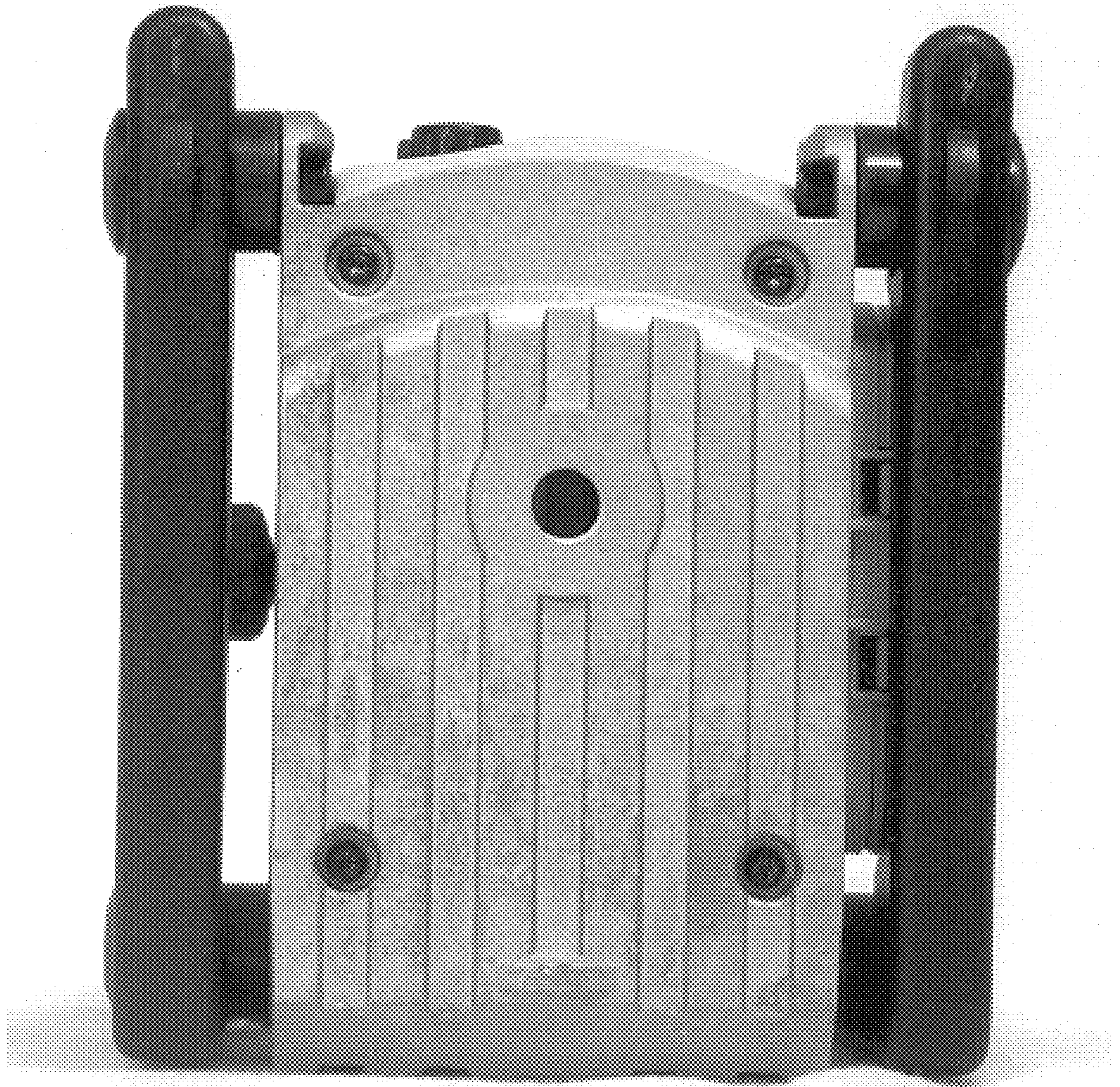


FIG. 7



FIG. 8

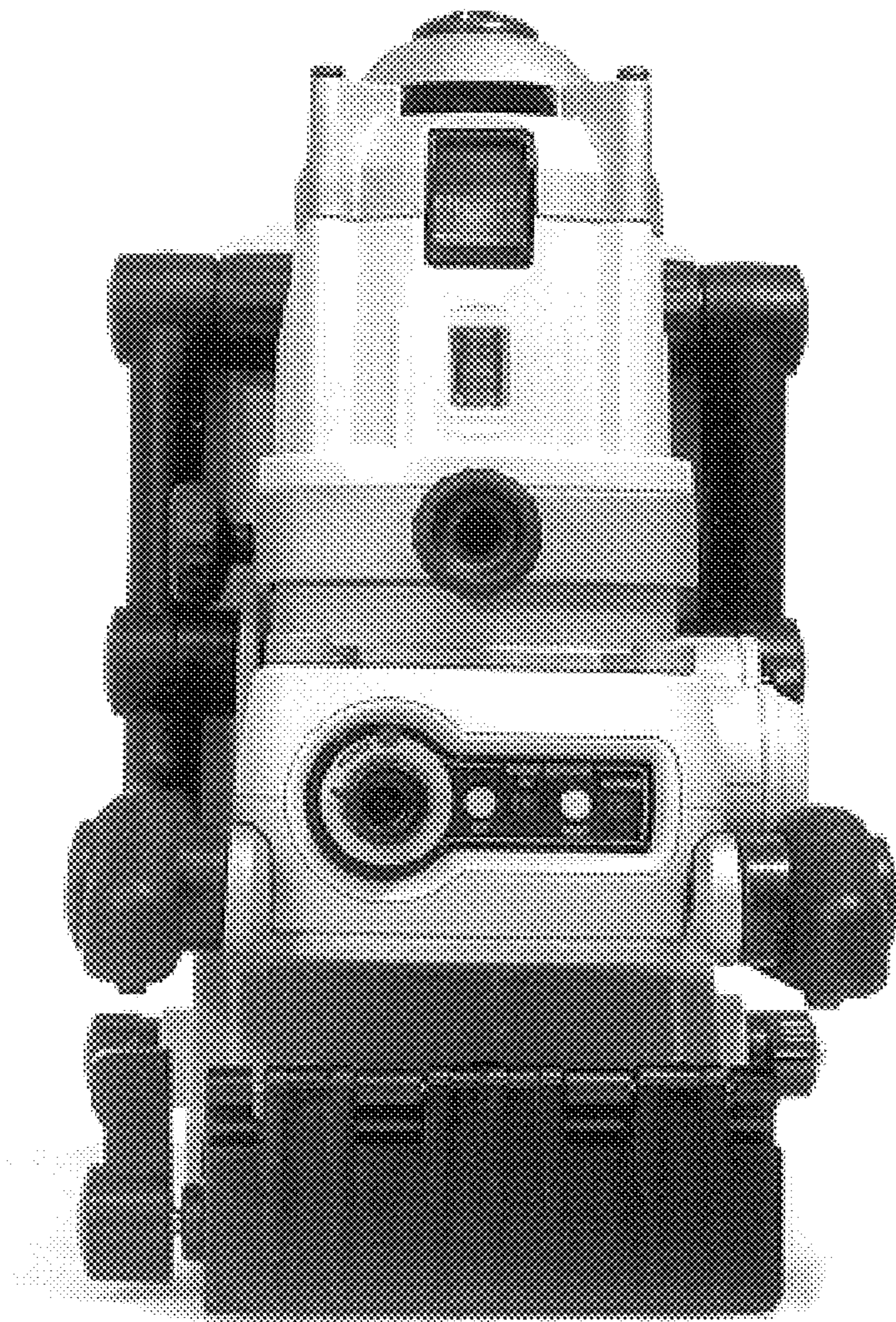


FIG. 9

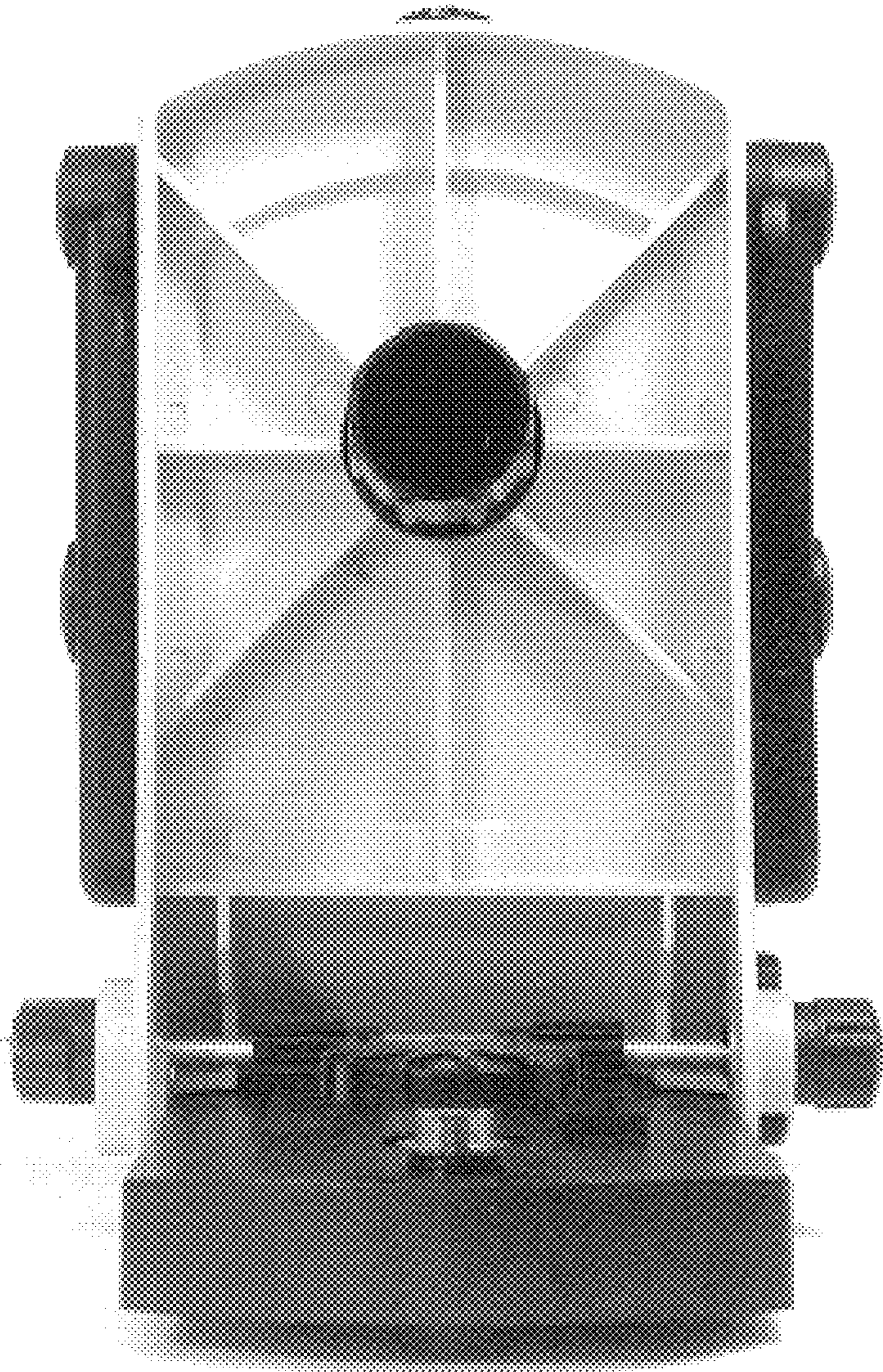


FIG. 10

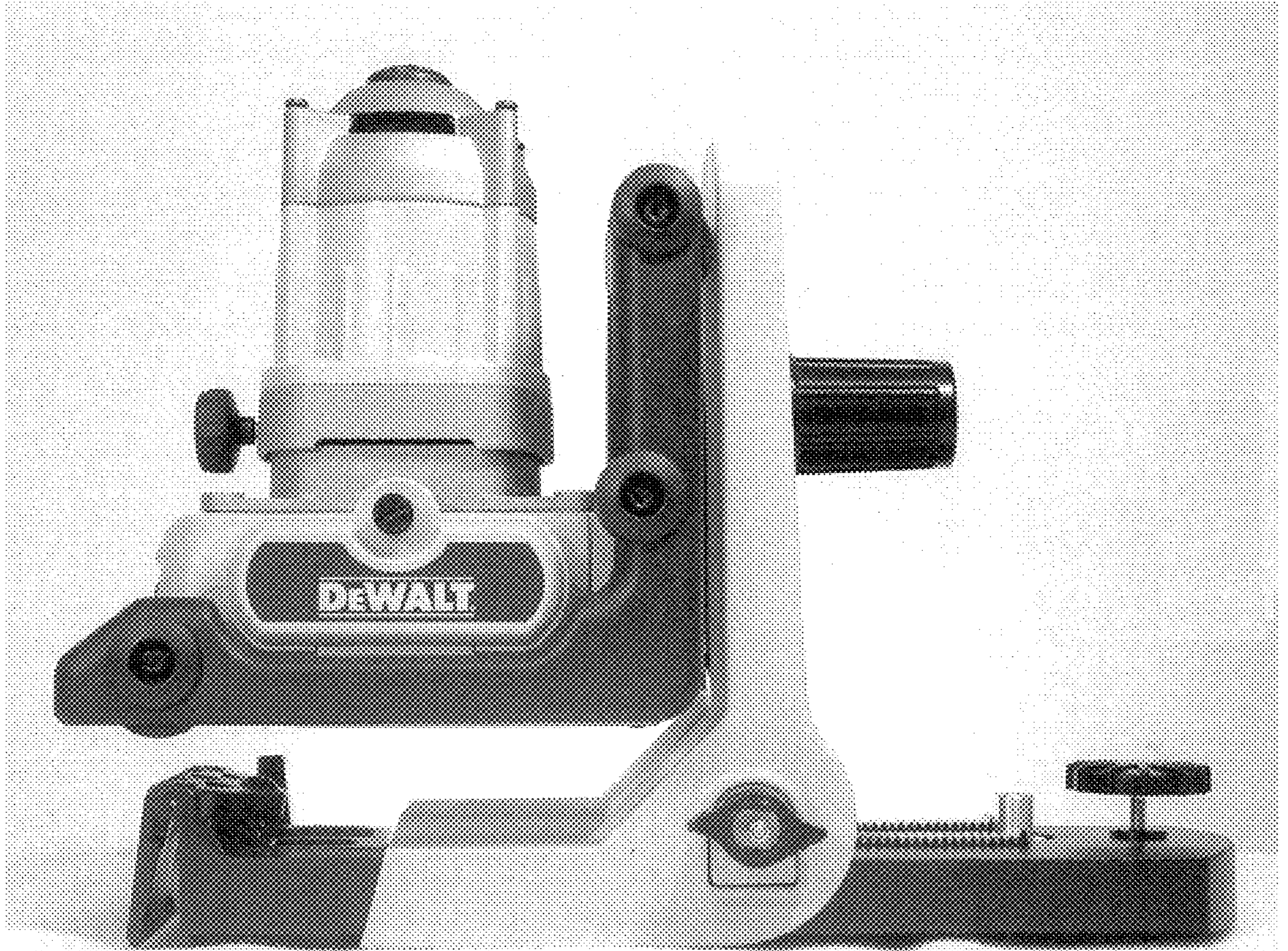


FIG. 11

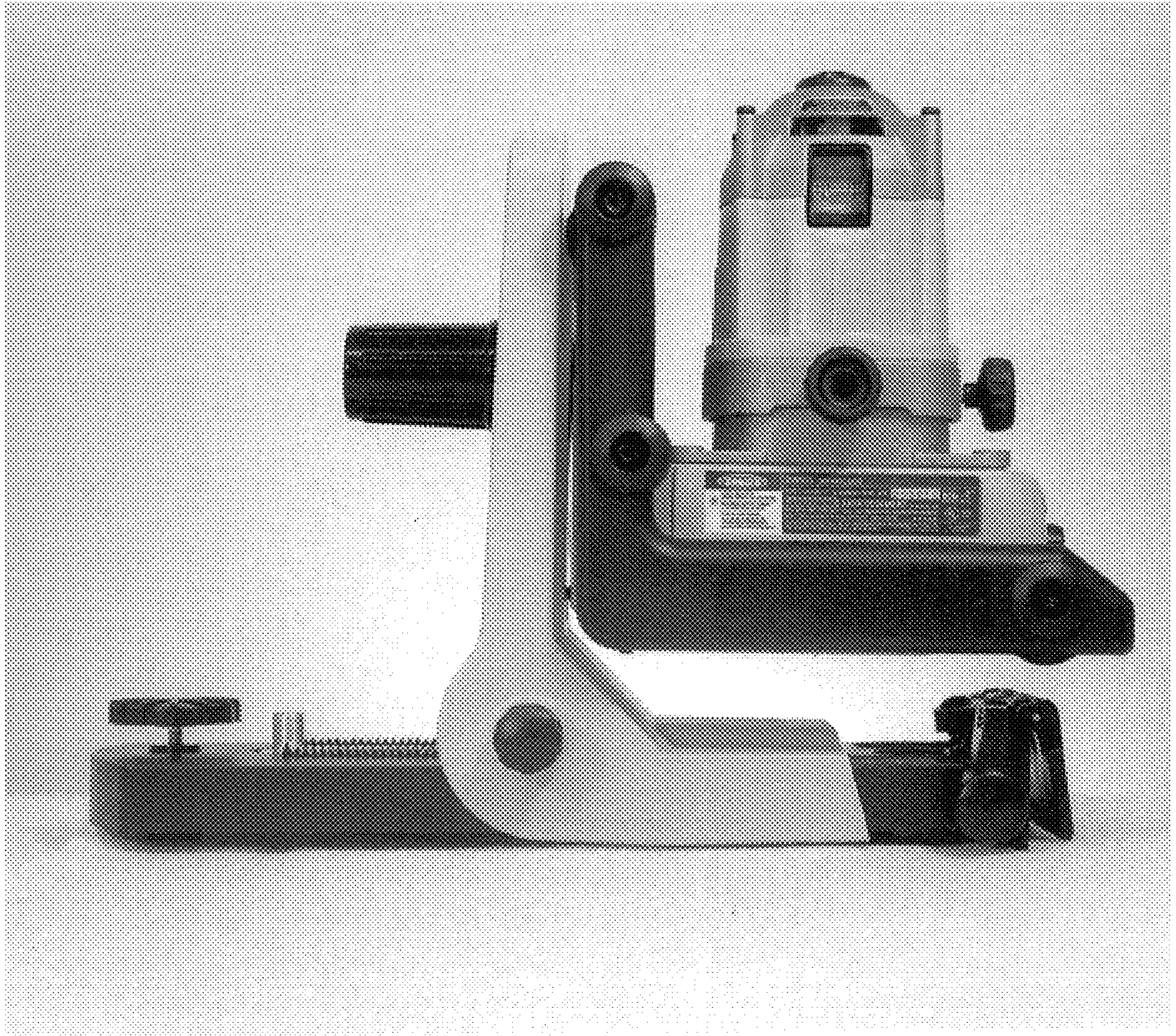


FIG. 12

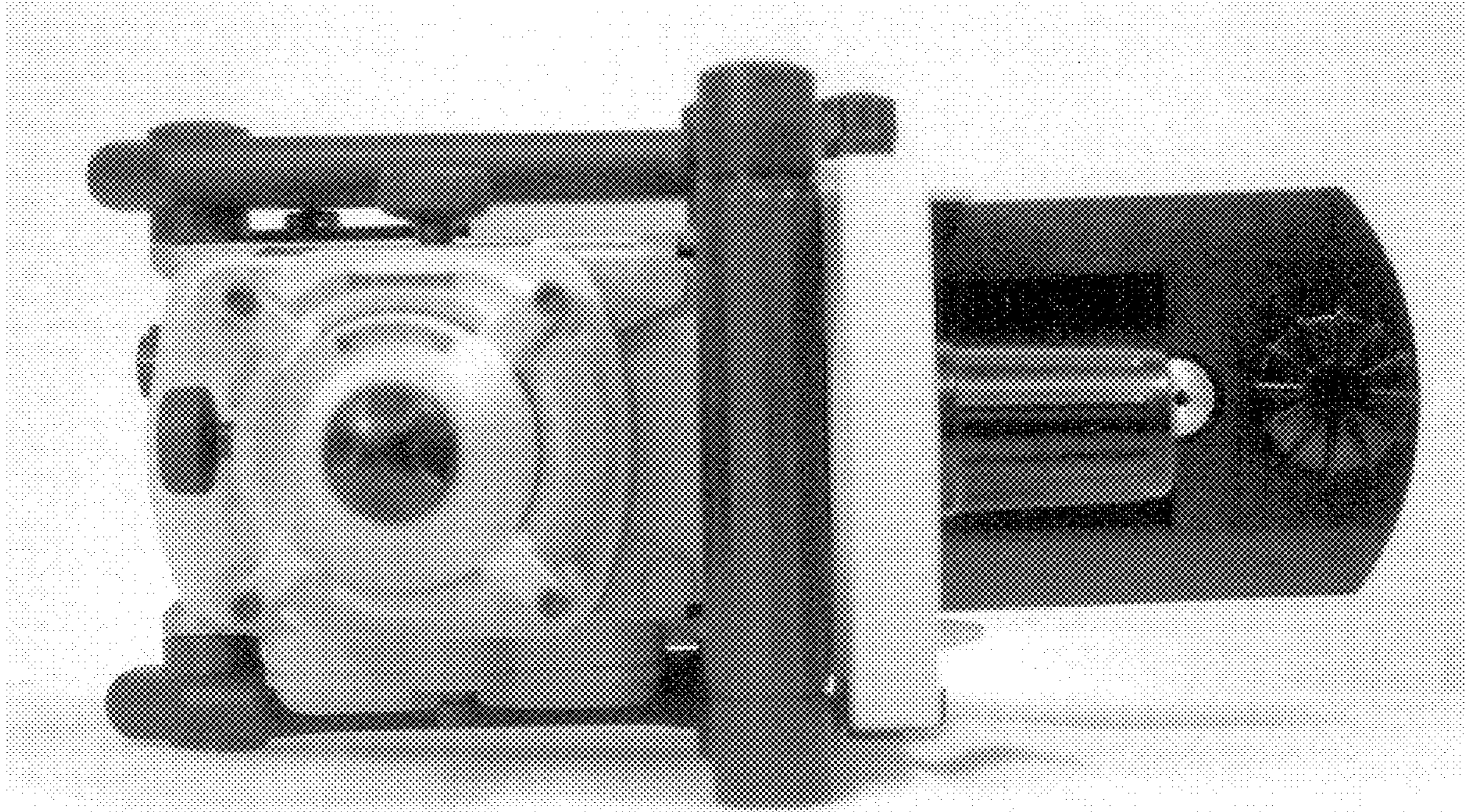


FIG. 13

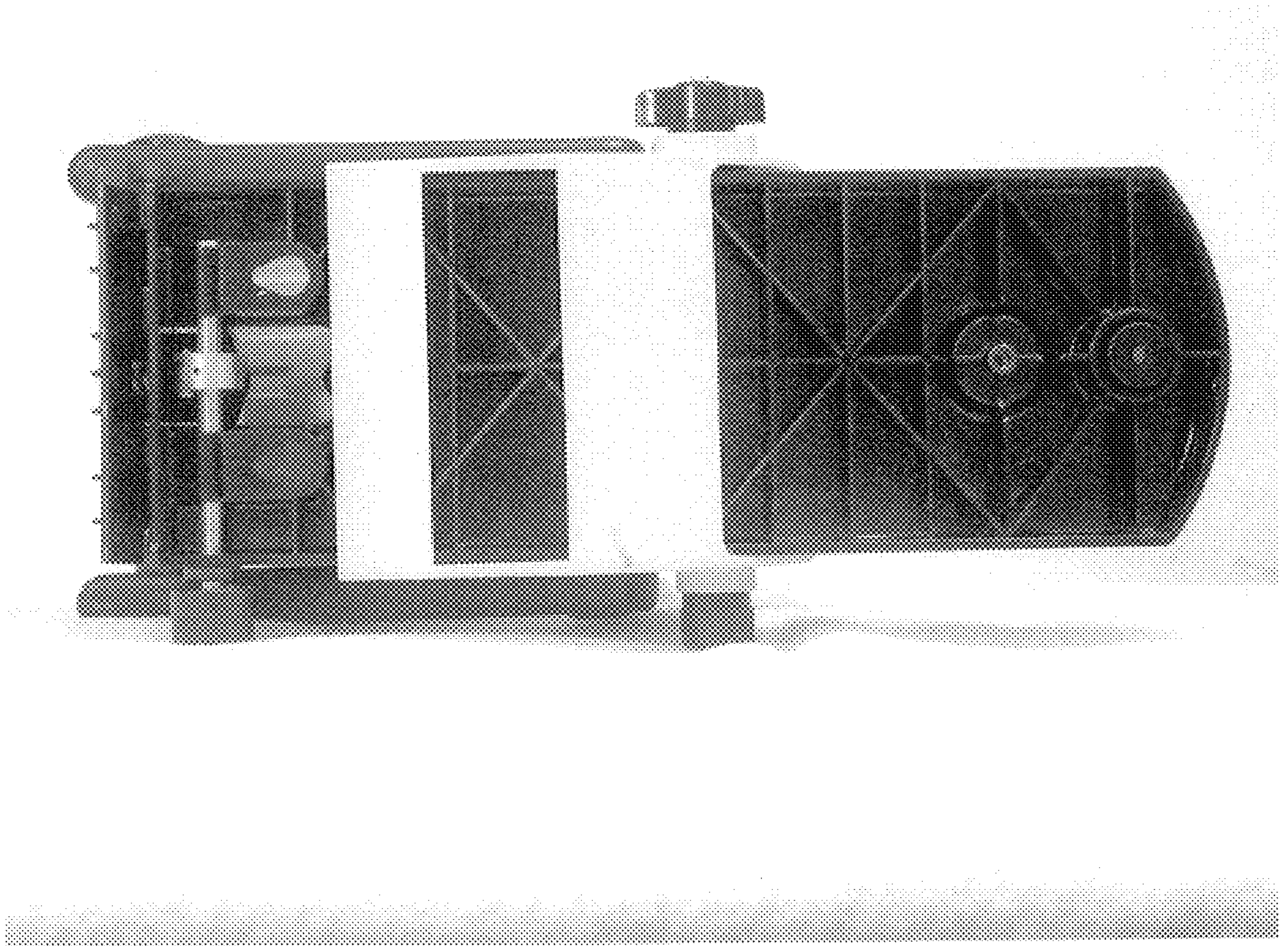


FIG. 14

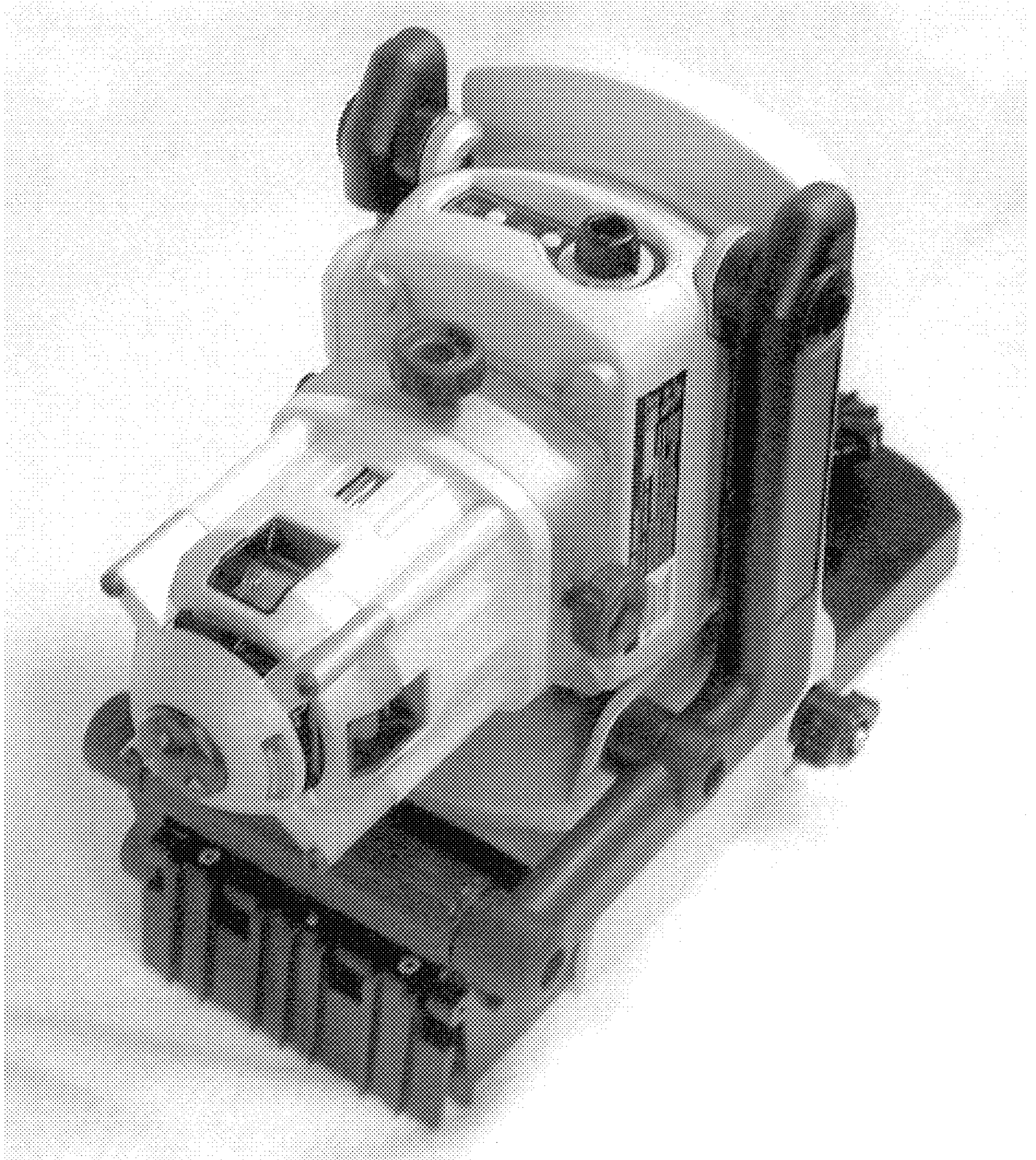


FIG. 15

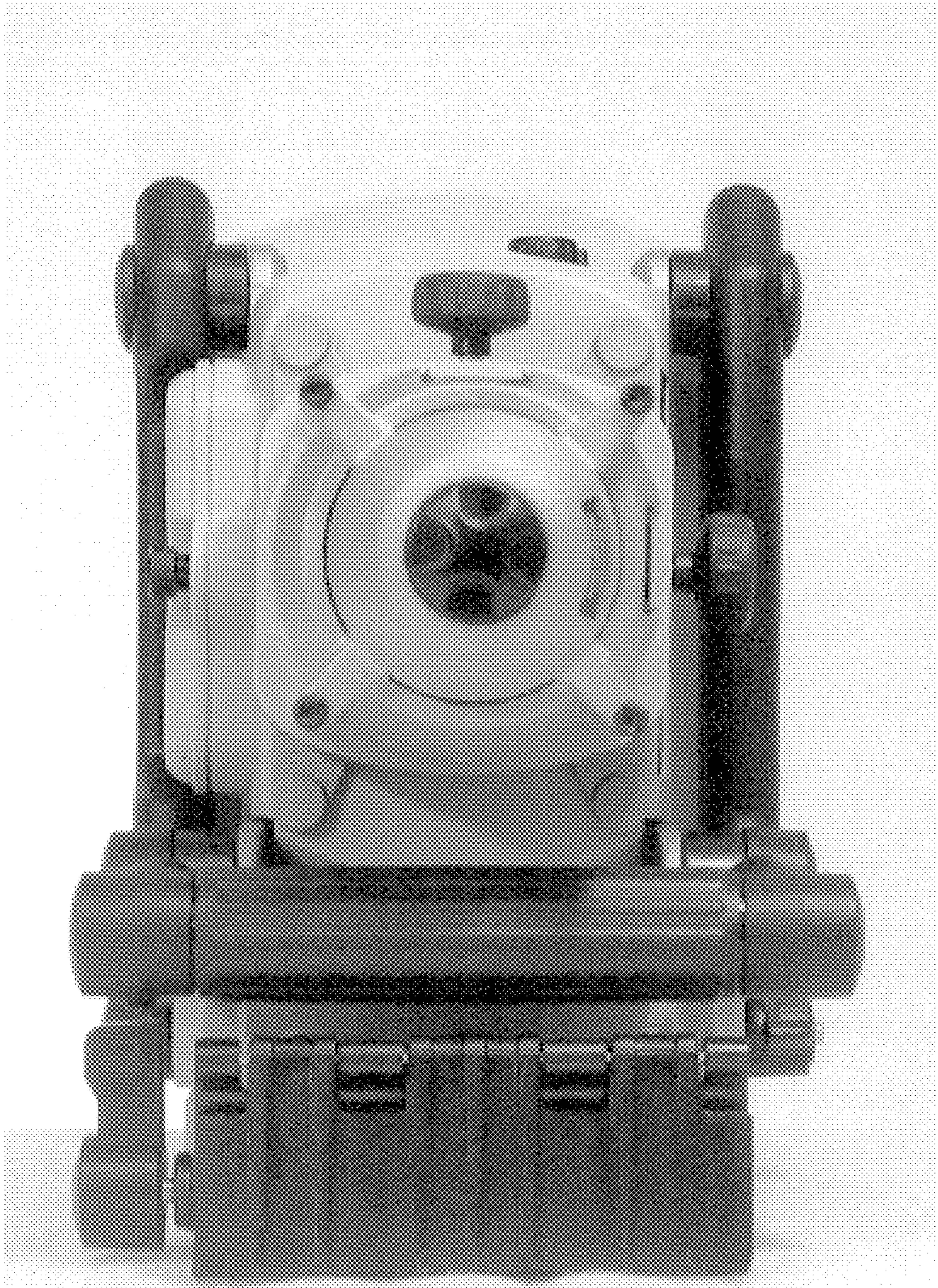


FIG. 16

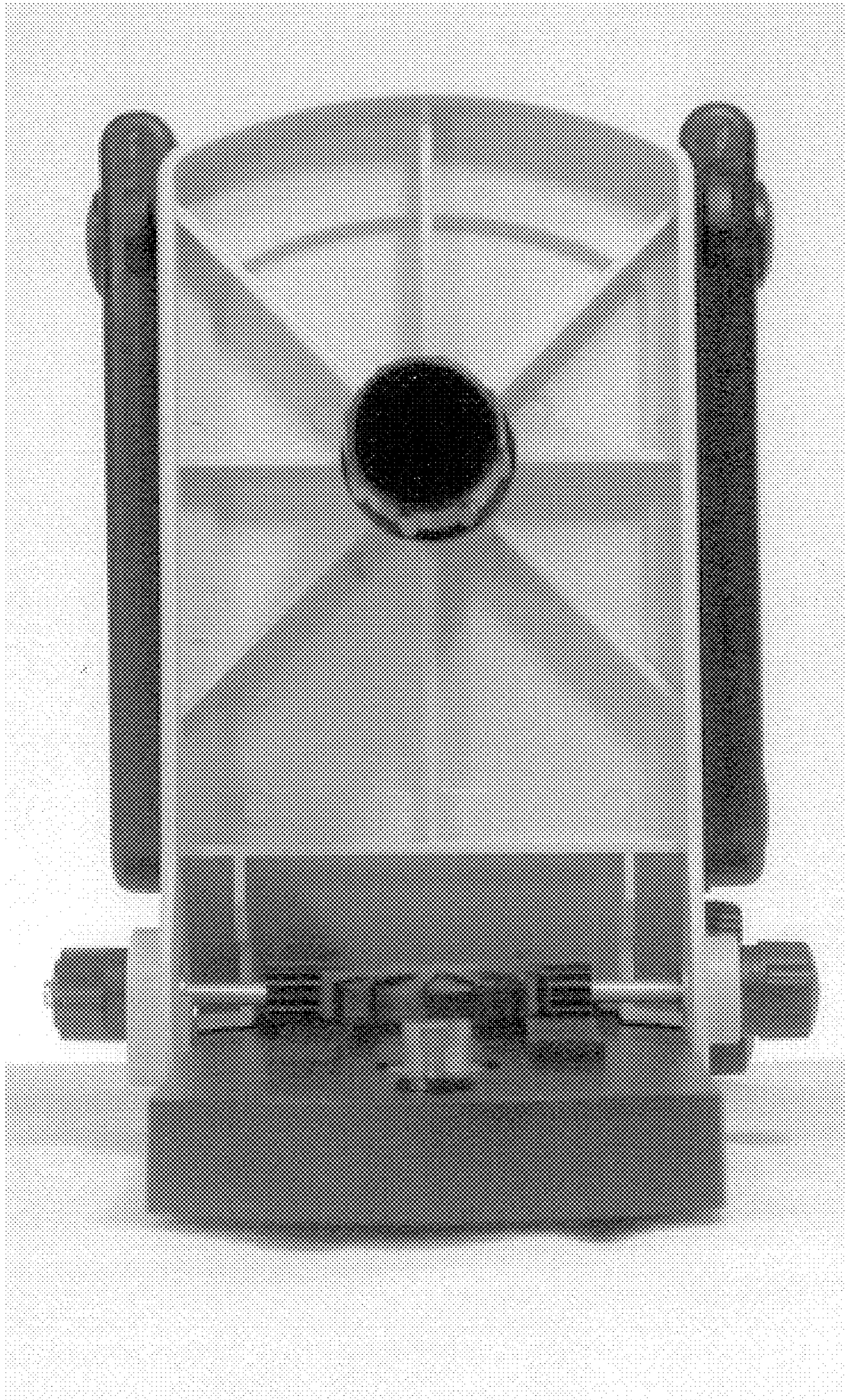


FIG. 17

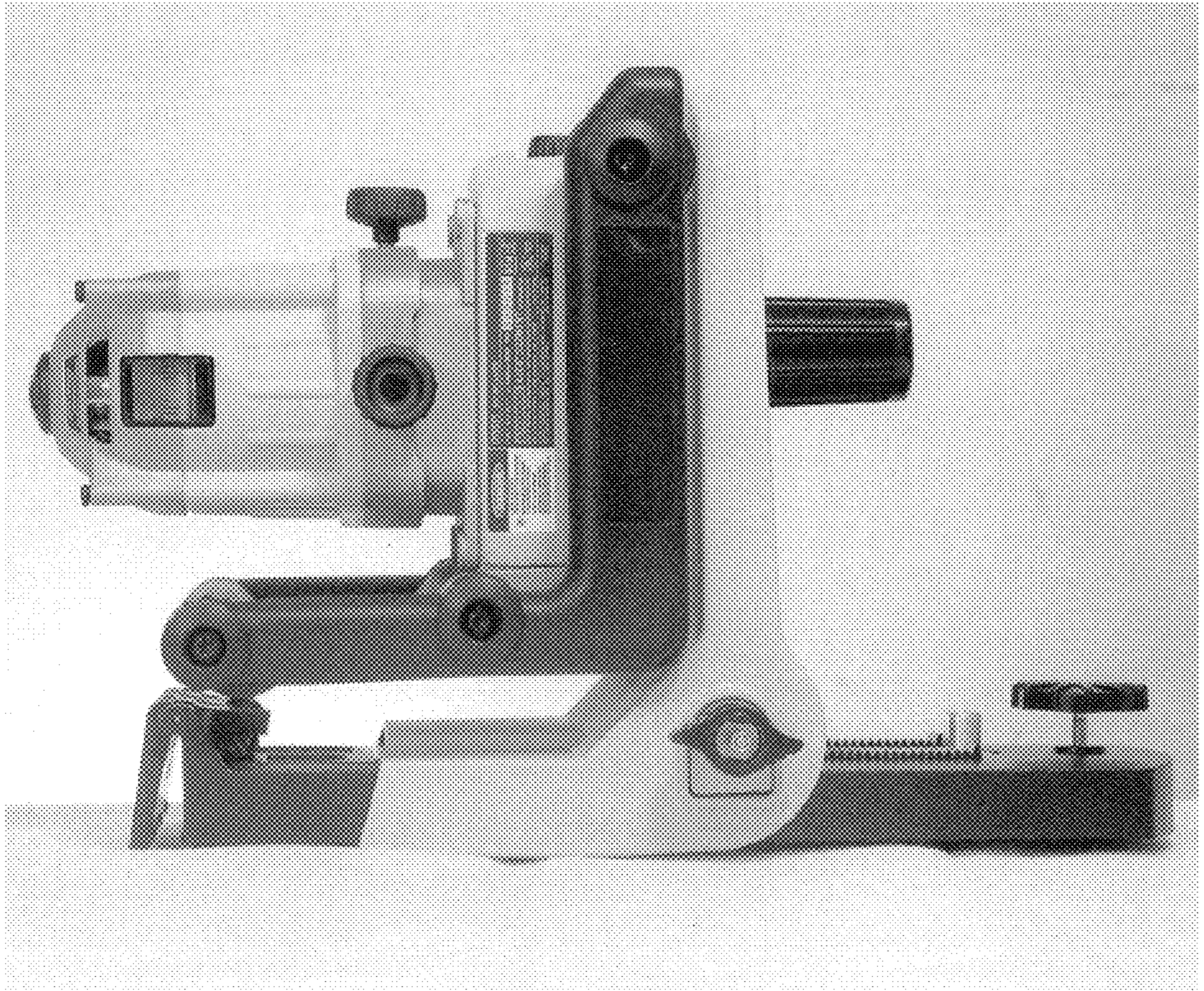


FIG. 18

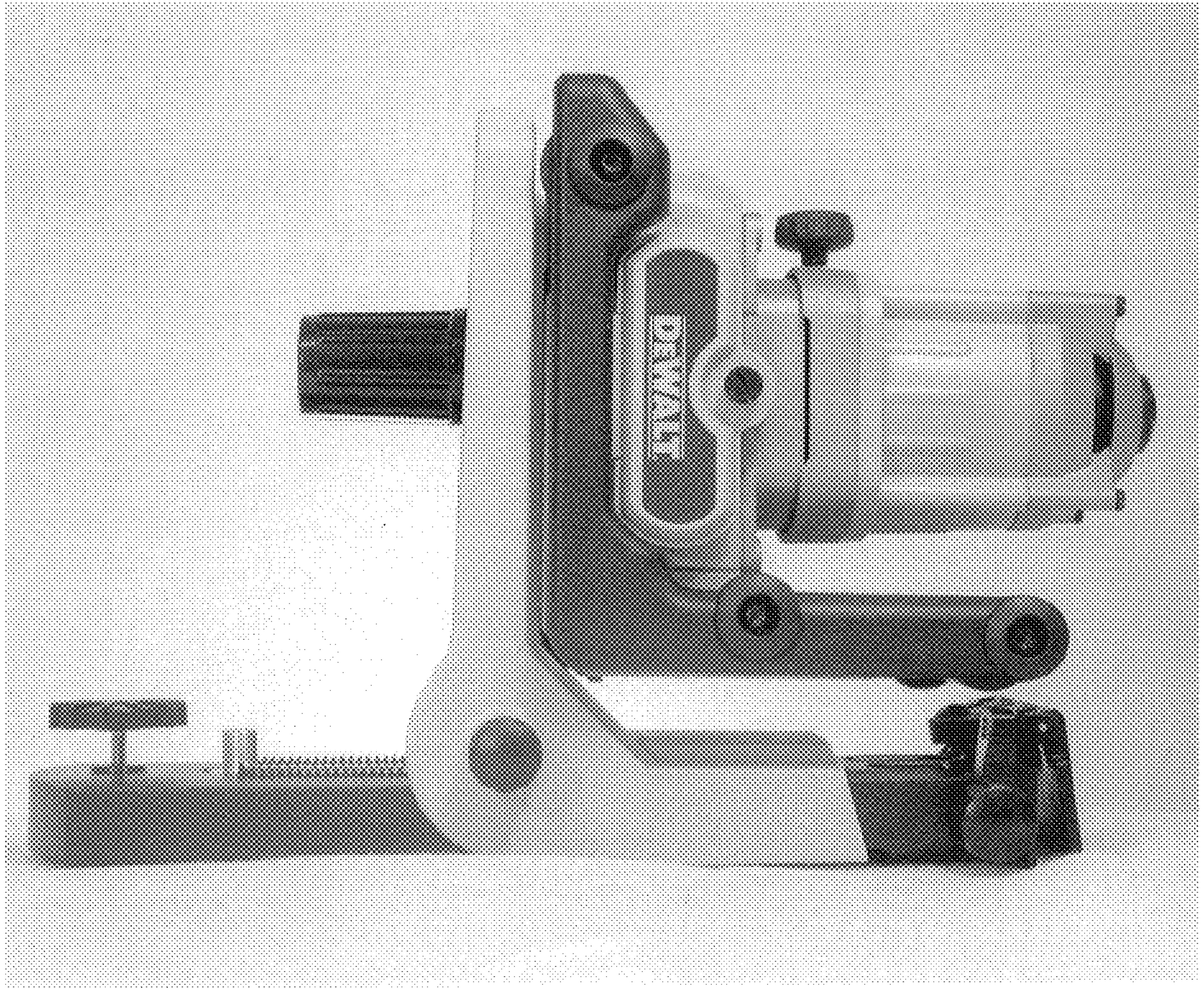


FIG. 19

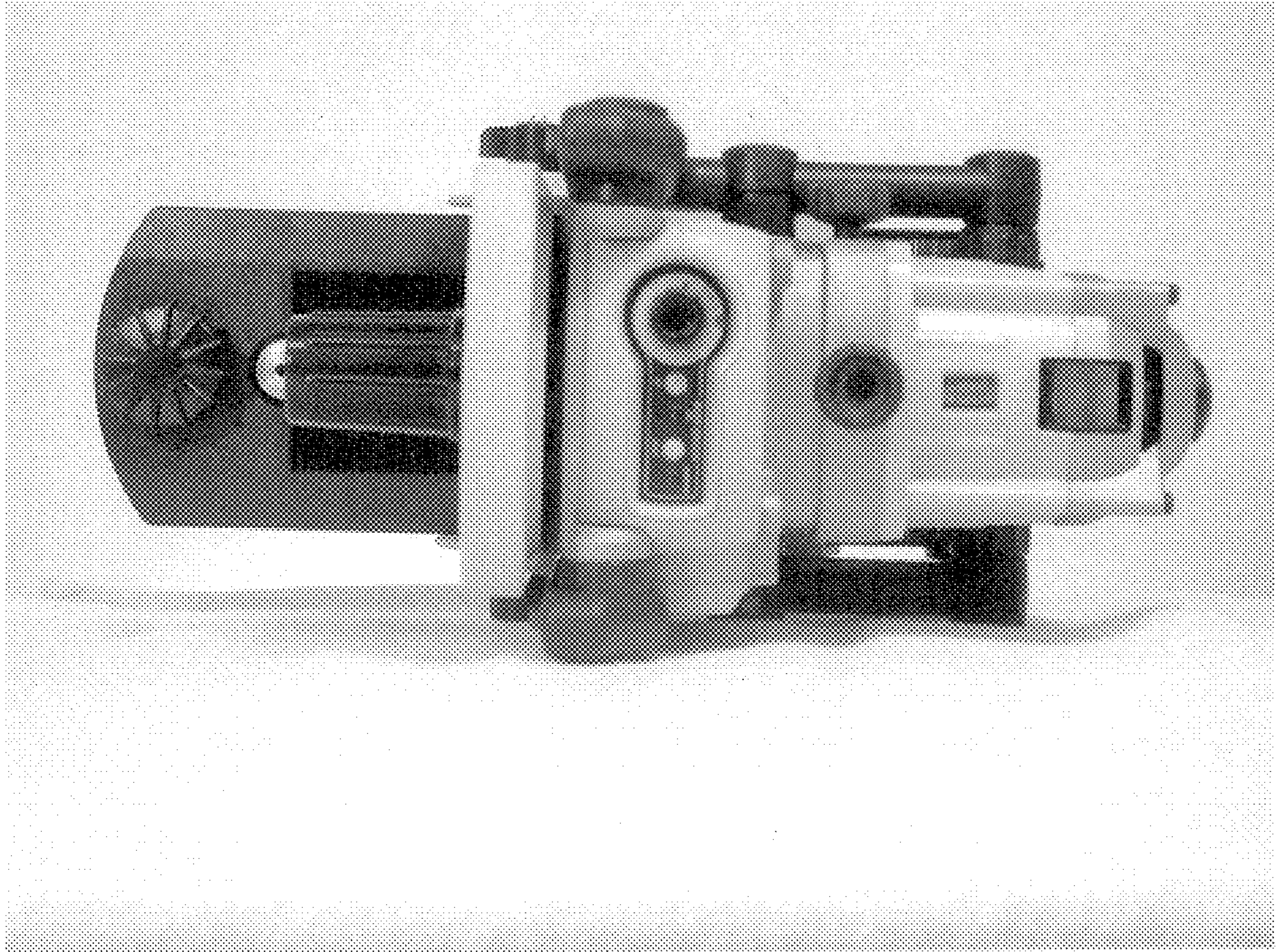


FIG. 20

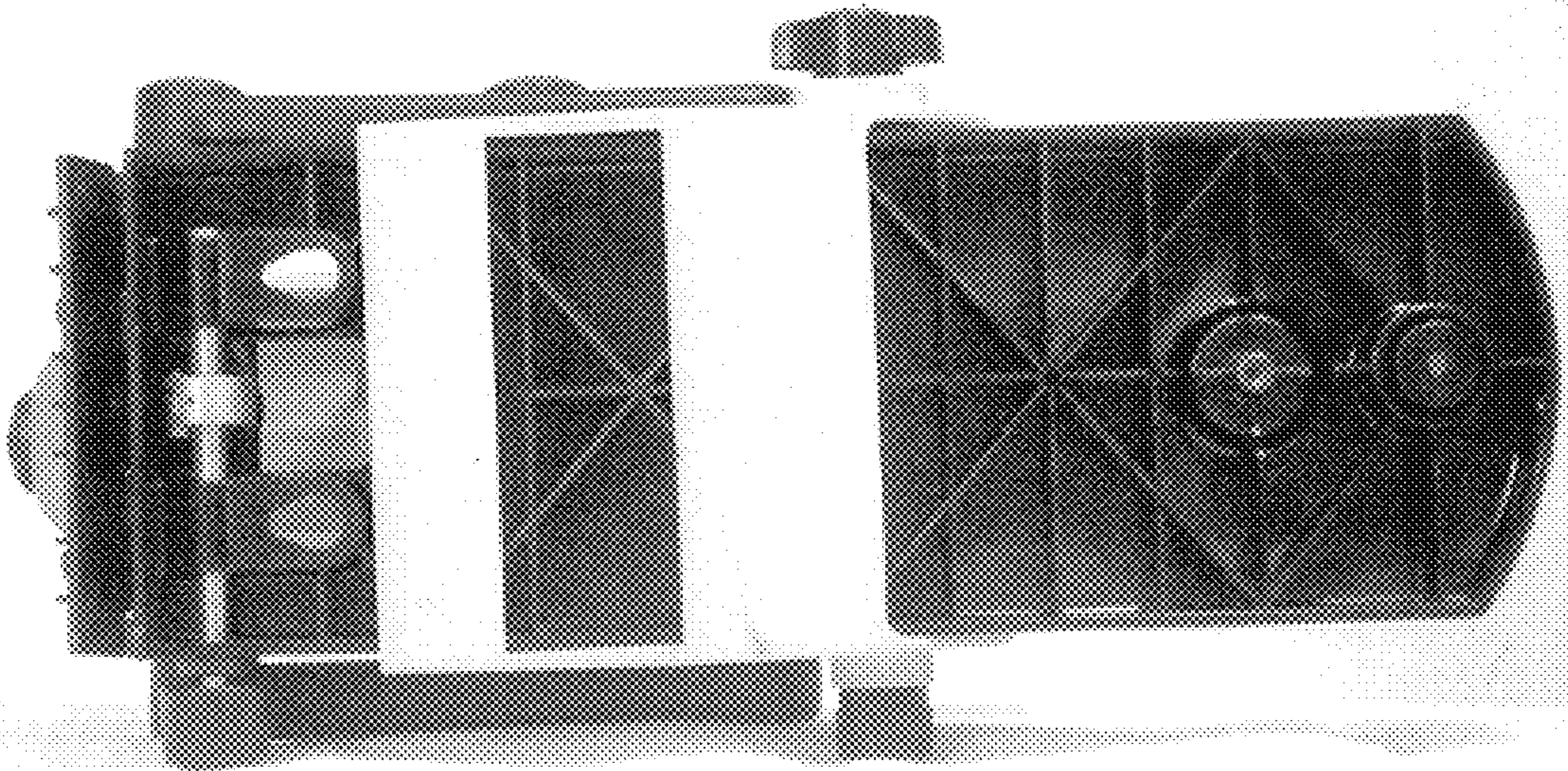


FIG. 21