



US00D461133S

(12) **United States Design Patent**
Lam et al.

(10) **Patent No.:** **US D461,133 S**

(45) **Date of Patent:** **** Aug. 6, 2002**

(54) **LOCATION TRACKING DEVICE
MOUNTABLE IN A VEHICLE**

Primary Examiner—Antoine Duval Davis
(74) *Attorney, Agent, or Firm*—Michael de Angeli

(75) **Inventors:** **Alan Chi Lun Lam**, Howloon; **Carlos Chi Hong Wong**, Tuen Mun, both of (HK)

(57) **CLAIM**

We claim the ornamental design for a location tracking device mountable in a vehicle, as shown and described.

(73) **Assignee:** **Satellite Devices Ltd.**, Hong Kong (CN)

DESCRIPTION

(**) **Term:** **14 Years**

FIG. 1 is a Perspective View of one design in the present invention.

(21) **Appl. No.:** **29/138,570**

FIG. 2 is a Front Elevation View of the same.

(22) **Filed:** **Mar. 15, 2001**

FIG. 3 is a Back Elevation View of the same.

(51) **LOC (7) Cl.** **10-04**

FIG. 4 is a Back View of the same.

(52) **U.S. Cl.** **D10/65**

FIG. 5 is a Perspective View of the same.

(58) **Field of Search** D10/65; 701/213, 701/214-216; 340/988-996

FIG. 6 is a Right Side View of the same.

FIG. 7 is a Bottom View of the same.

(56) **References Cited**

FIG. 8 is a Front View of the same; and,

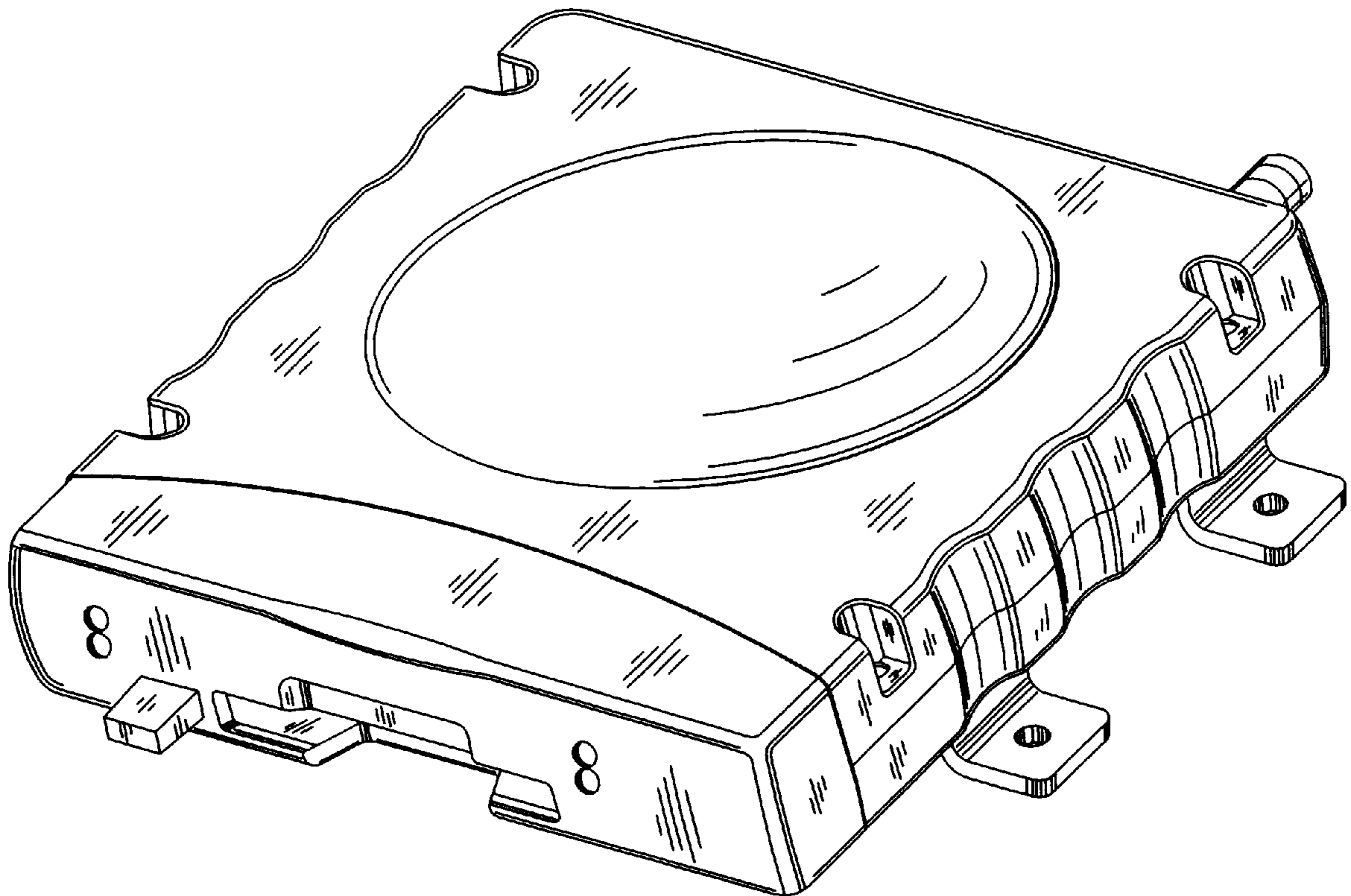
FIG. 9 is a Top View of the same.

U.S. PATENT DOCUMENTS

6,308,134 B1 * 10/2001 Croyle et al. 701/220

* cited by examiner

1 Claim, 9 Drawing Sheets



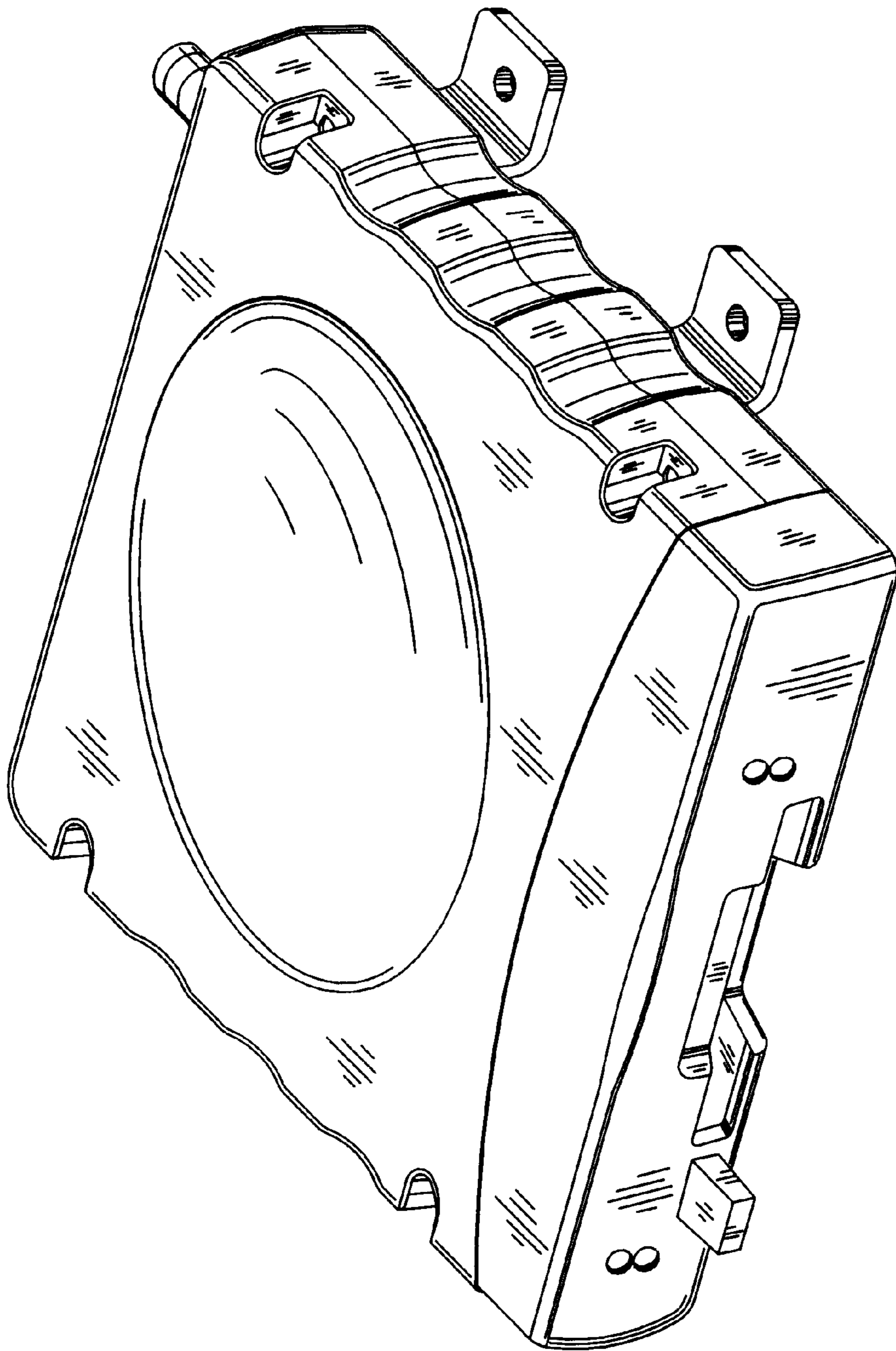


FIG. 1

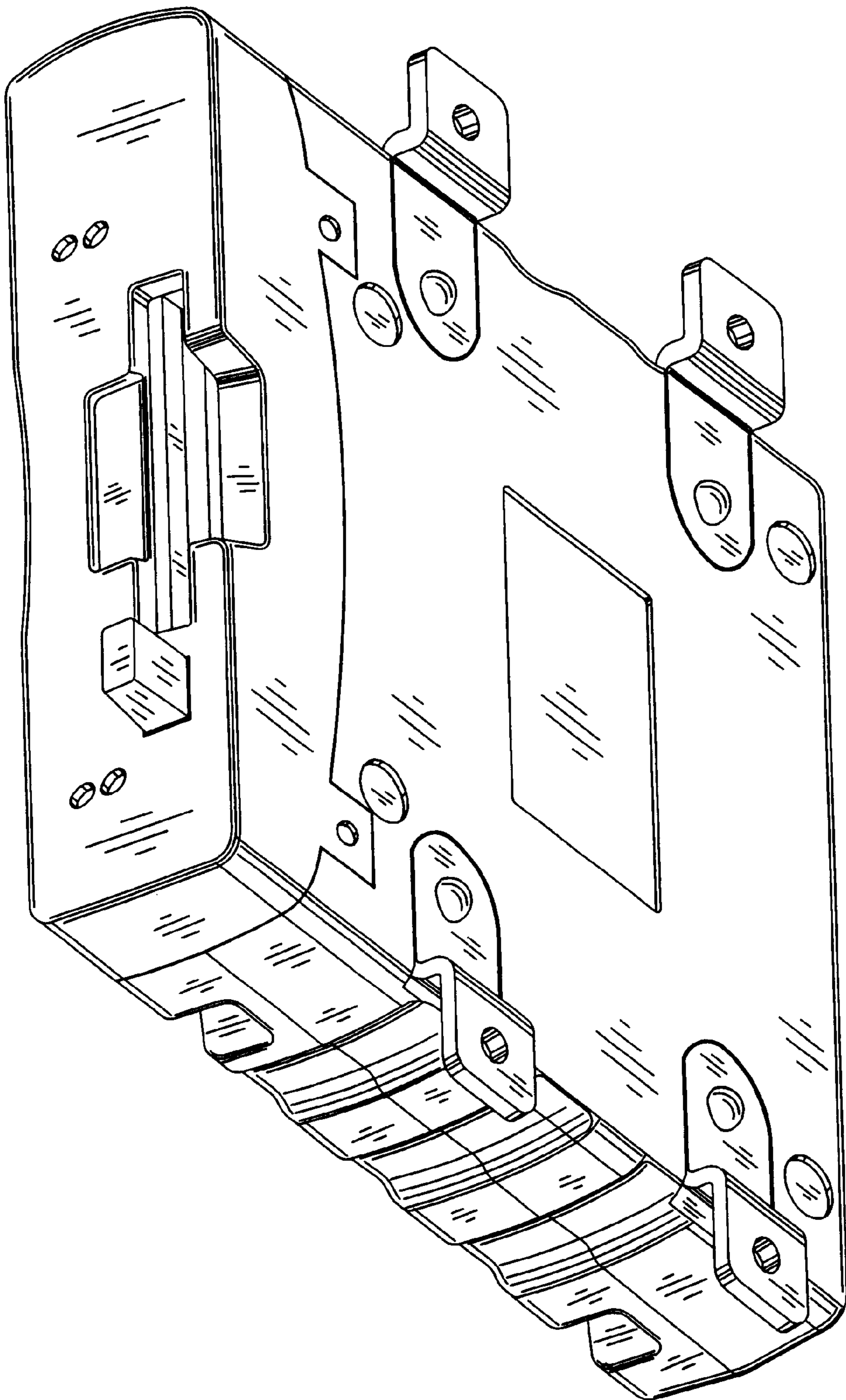


FIG. 2

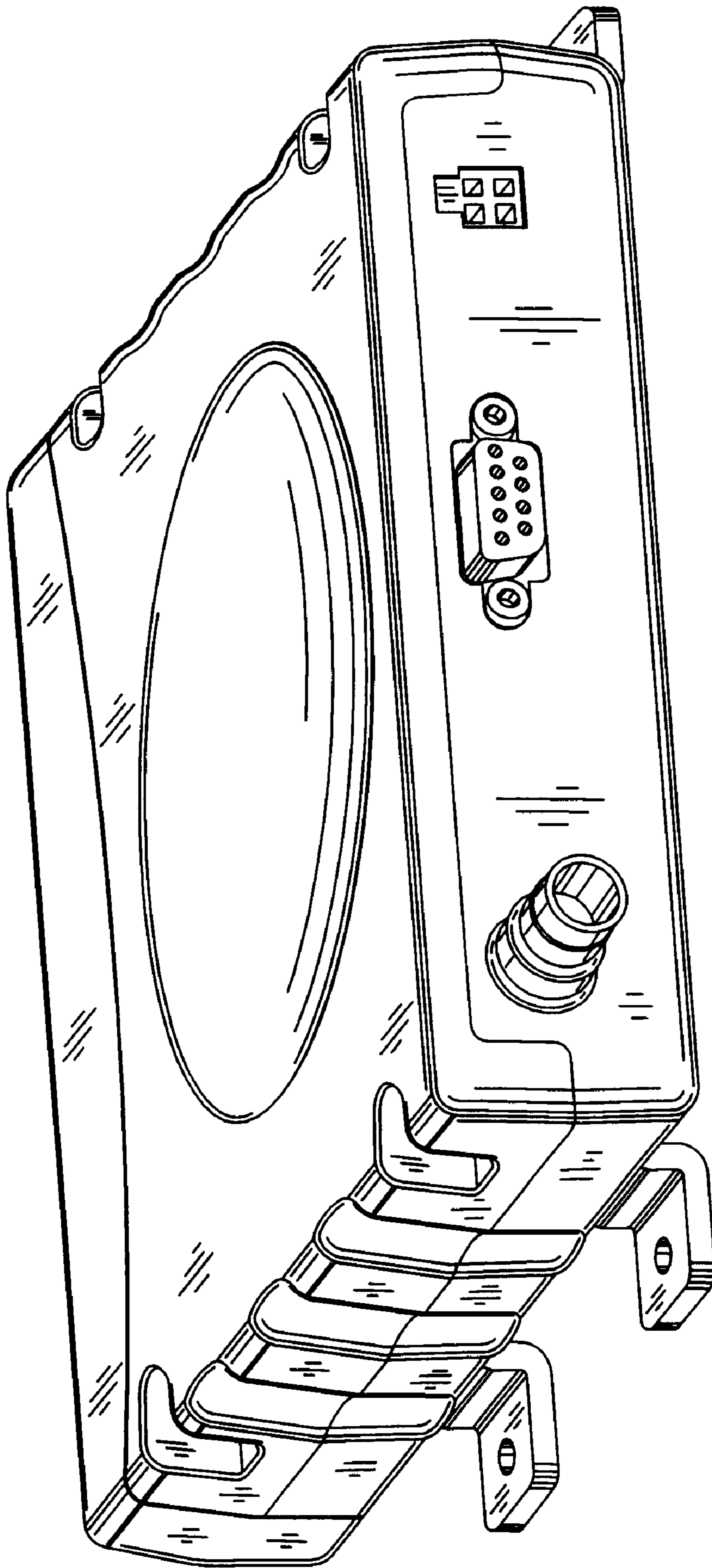


FIG. 3

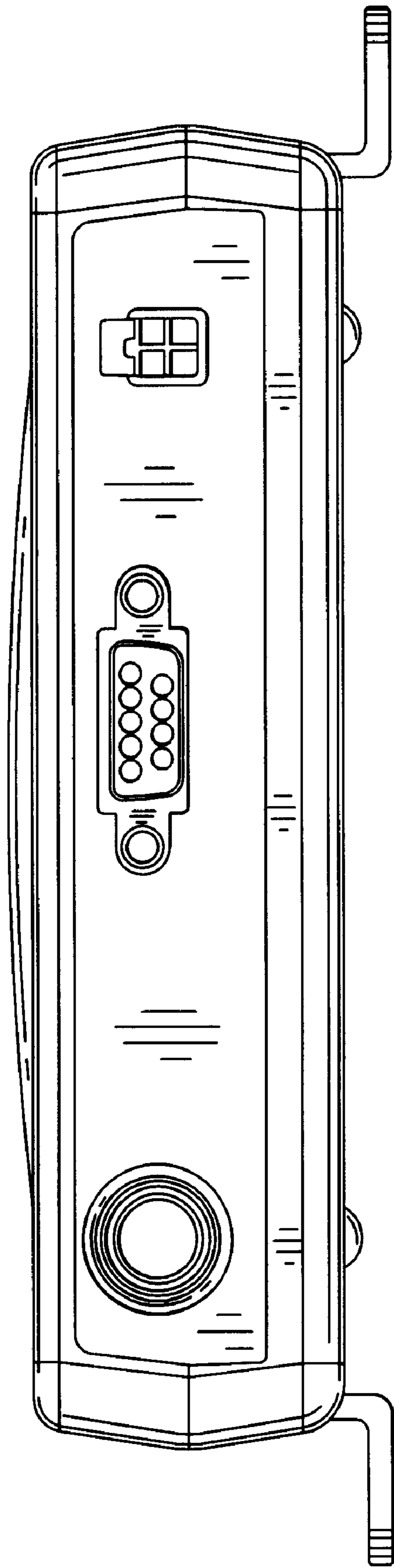


FIG. 4

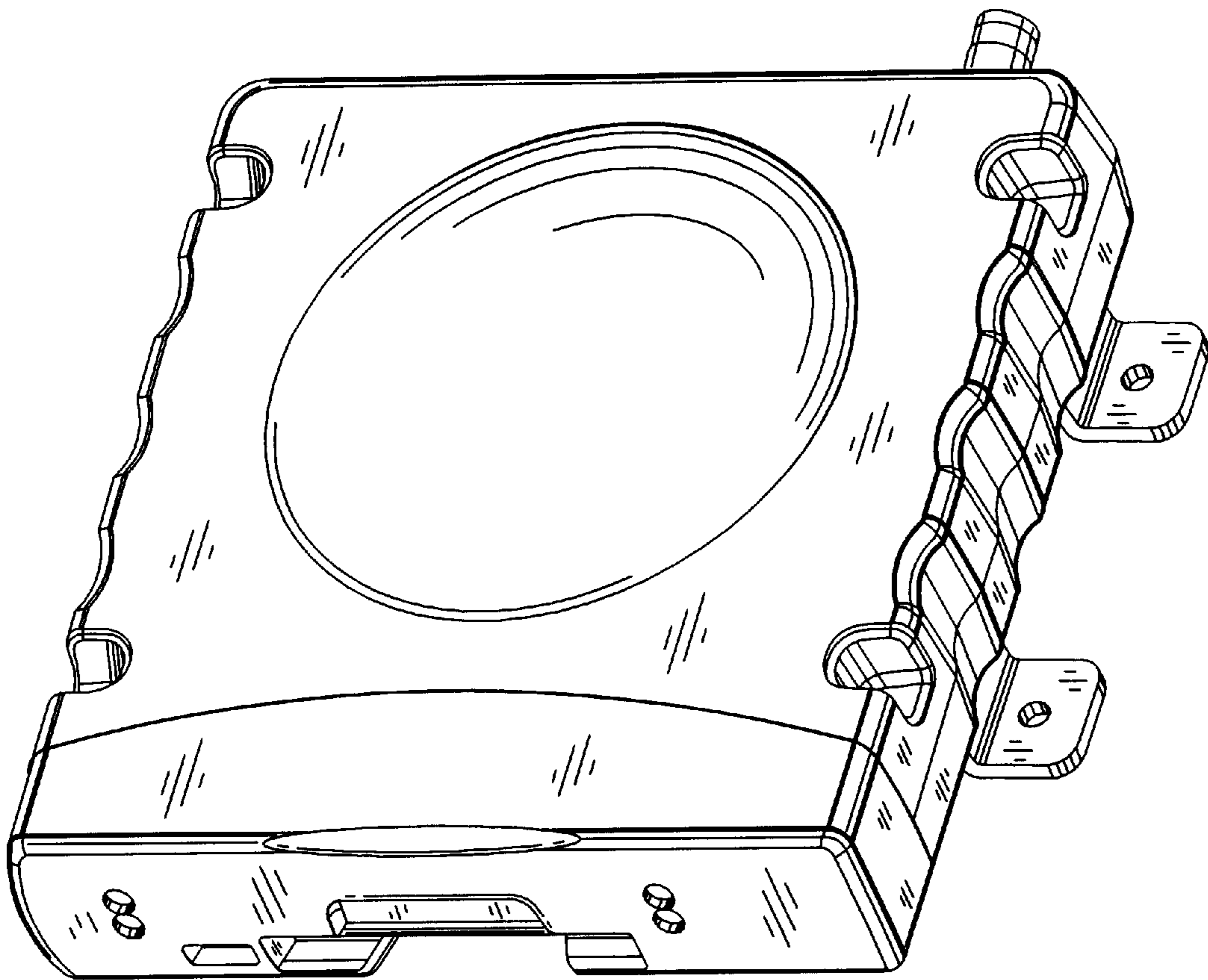


FIG. 5

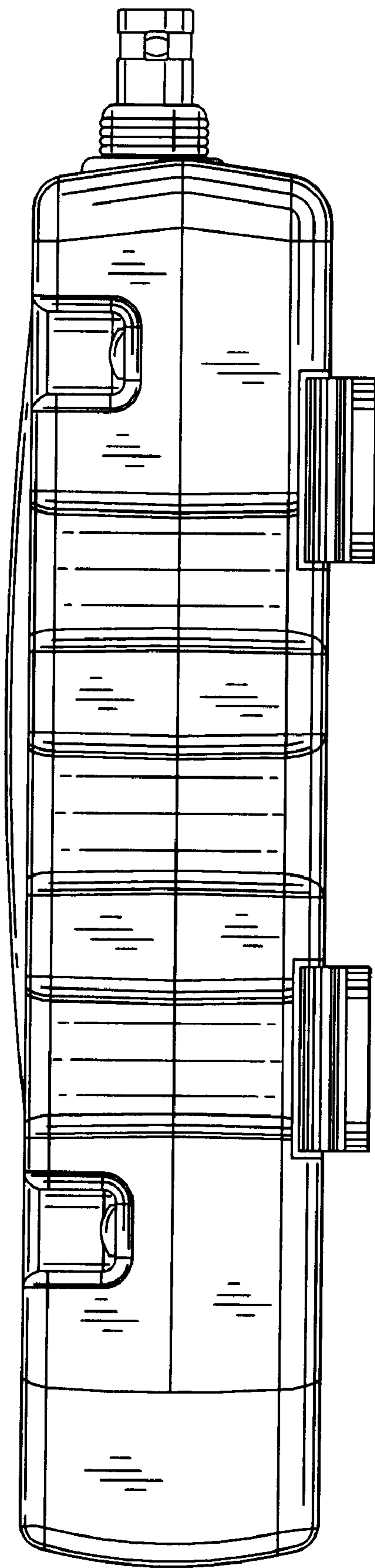


FIG. 6

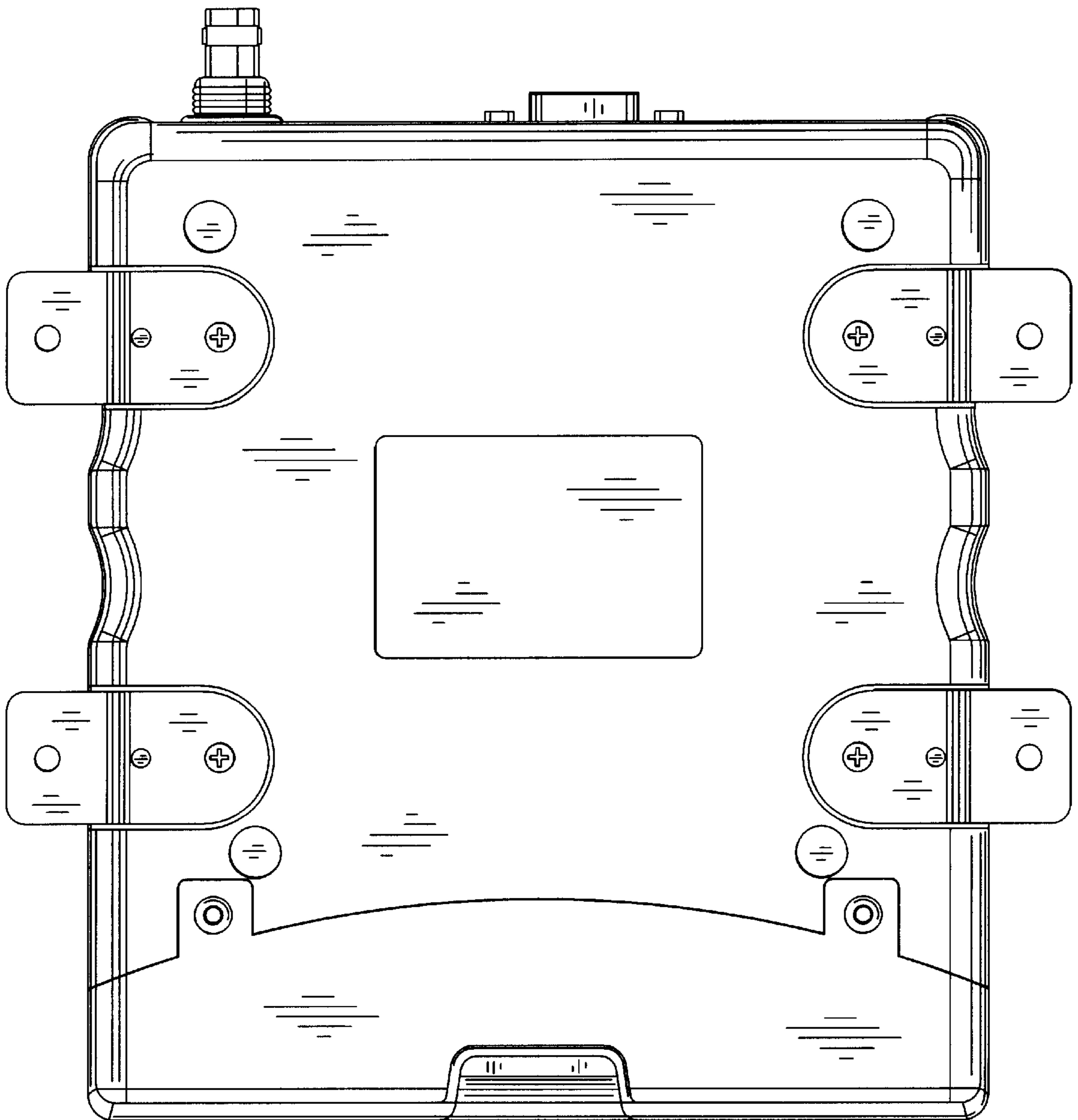


FIG. 7

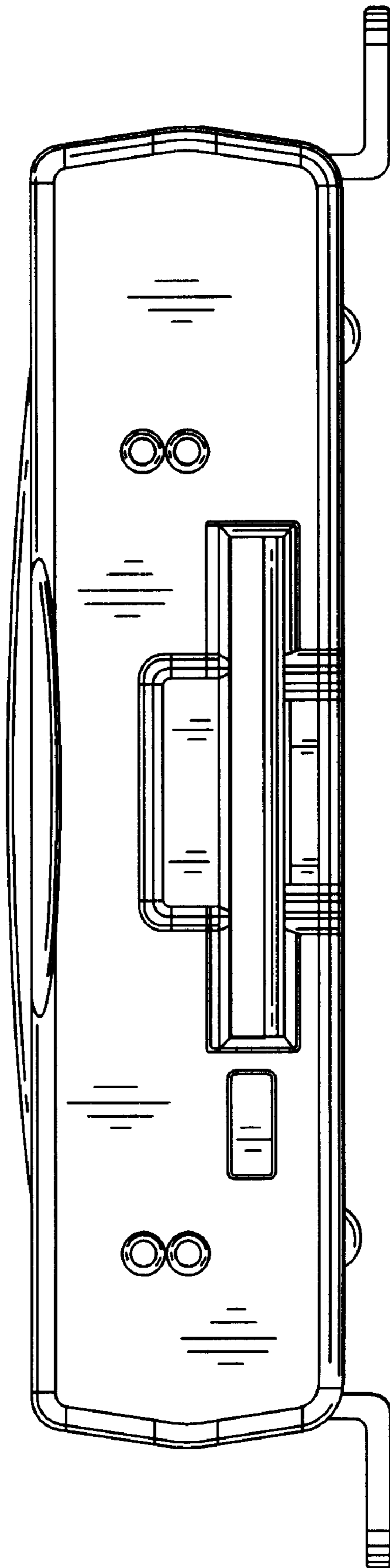


FIG. 8

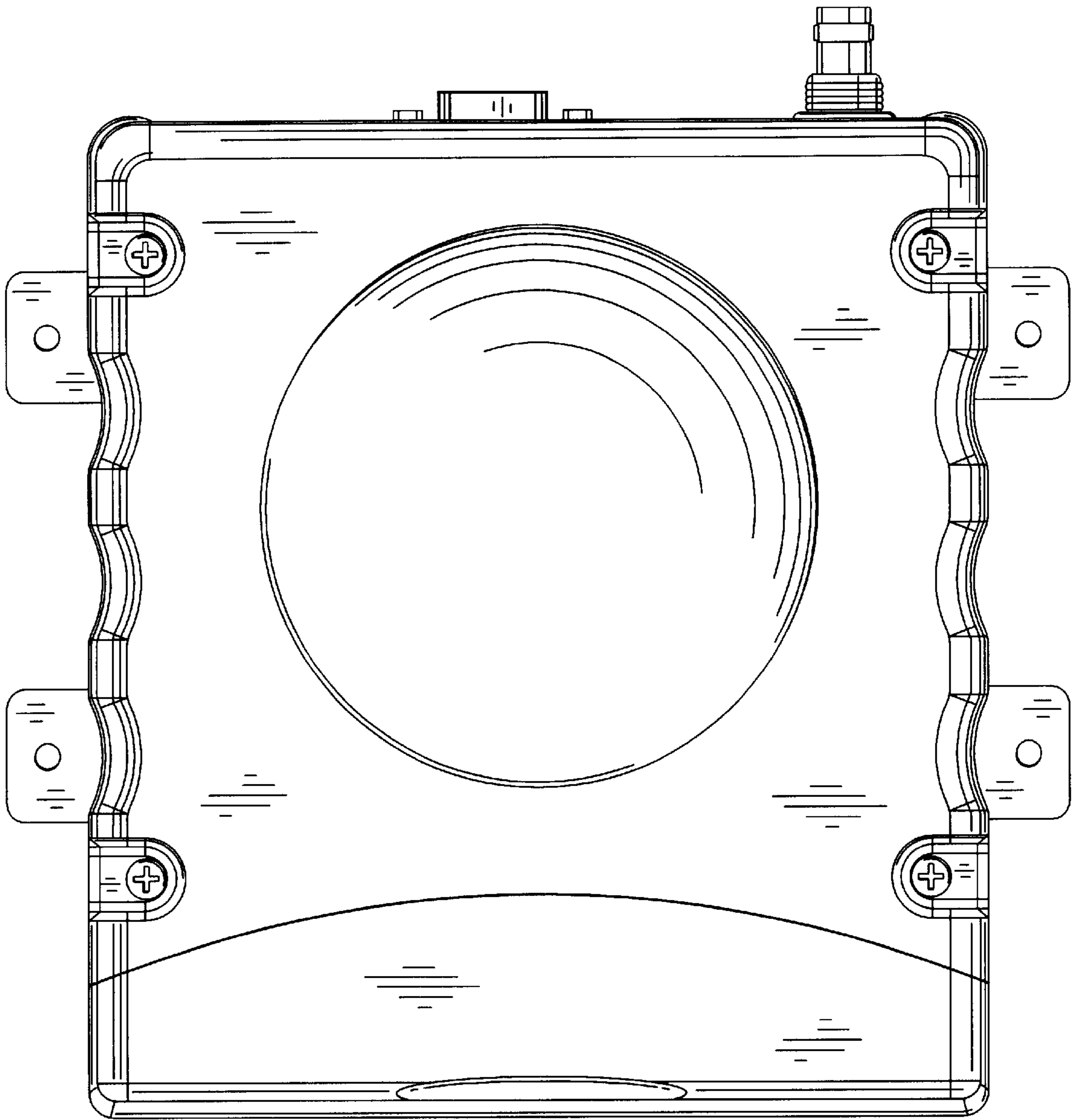


FIG. 9