

US00D461127S

(12) **United States Design Patent**
Peabody

(10) **Patent No.:** **US D461,127 S**

(45) **Date of Patent:** **** Aug. 6, 2002**

(54) **THREADED CAP**

(76) **Inventor:** **Steven R. Peabody**, P.O. Box 207,
Zionsville, IN (US) 46077

(**) **Term:** **14 Years**

(21) **Appl. No.:** **29/145,022**

(22) **Filed:** **Jul. 16, 2001**

(51) **LOC (7) Cl.** **09-07**

(52) **U.S. Cl.** **D9/453; D12/607**

(58) **Field of Search** D12/606, 607;
D9/445, 446, 450, 453; D23/260; 74/558.5;
152/427, 428, 429; 137/232; 138/89.1,
89.2, 89.3, 89.4, 96 R, 96 T

(56) **References Cited**

U.S. PATENT DOCUMENTS

- 1,312,901 A * 8/1919 Finley 138/96 R
- 1,692,710 A * 11/1928 Spahn 138/96 T
- D169,353 S * 4/1953 Boyer D12/607
- D201,606 S * 7/1965 McCord D12/607

- D216,353 S * 12/1969 Nelson D12/607
- D330,332 S * 10/1992 Pezzoli et al. D9/453
- D399,048 S * 10/1998 Sayre D9/453
- D419,071 S * 1/2000 Peters et al. D9/453

* cited by examiner

Primary Examiner—Robert M. Spear

(74) *Attorney, Agent, or Firm*—Richard L. Huff

(57) **CLAIM**

The ornamental design for a threaded cap, as shown and described.

DESCRIPTION

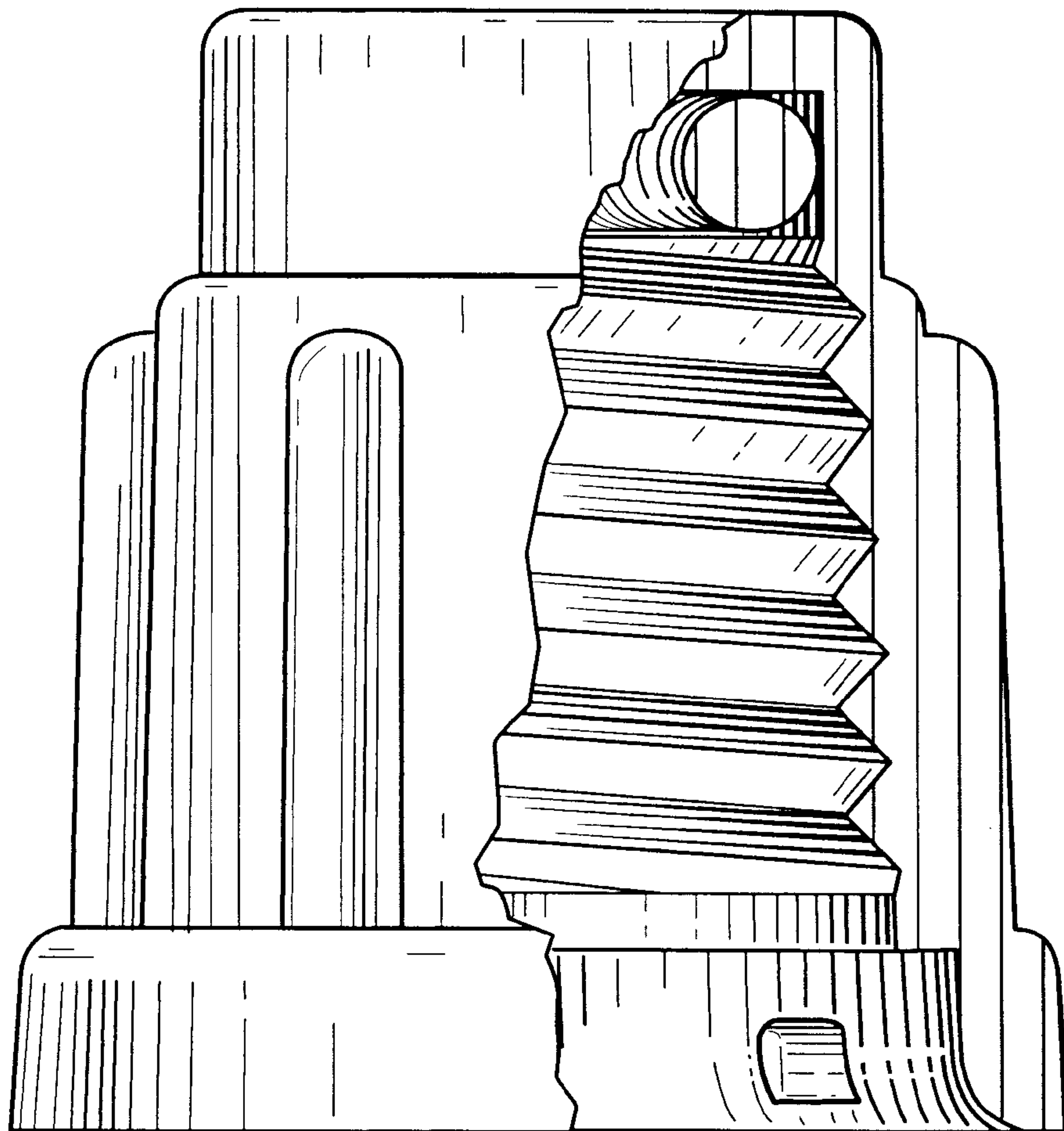
FIG. 1 is a plan view of the bottom of the cap looking into the open end of the cap;

FIG. 2 is a plan view of the top of the cap;

FIG. 3 is an elevational view of a side of the cap; and,

FIG. 4 is a second elevational view of the cap of FIG. 3, shown partially broken away to reveal internal details of the cap.

1 Claim, 3 Drawing Sheets



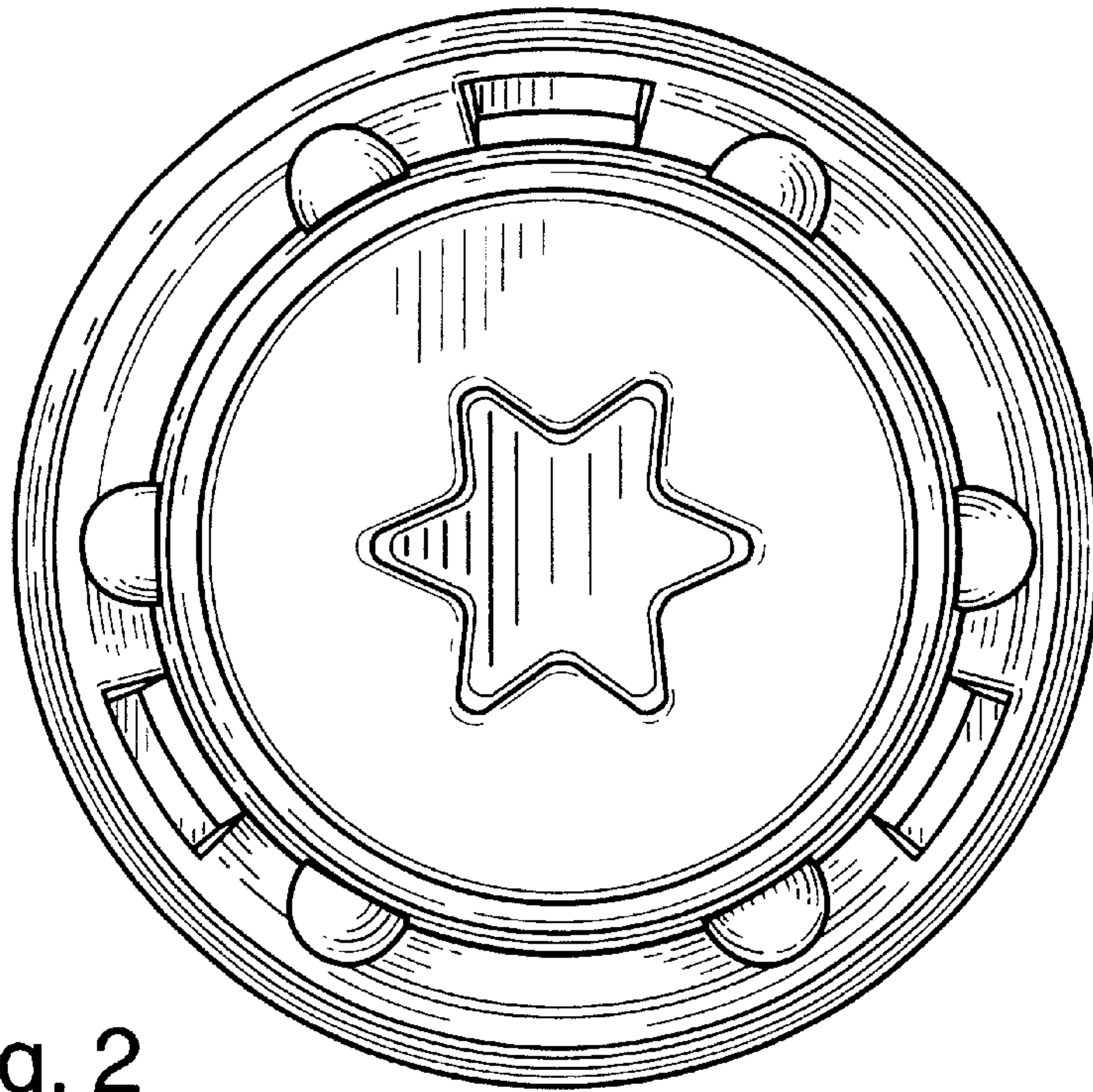


Fig. 2

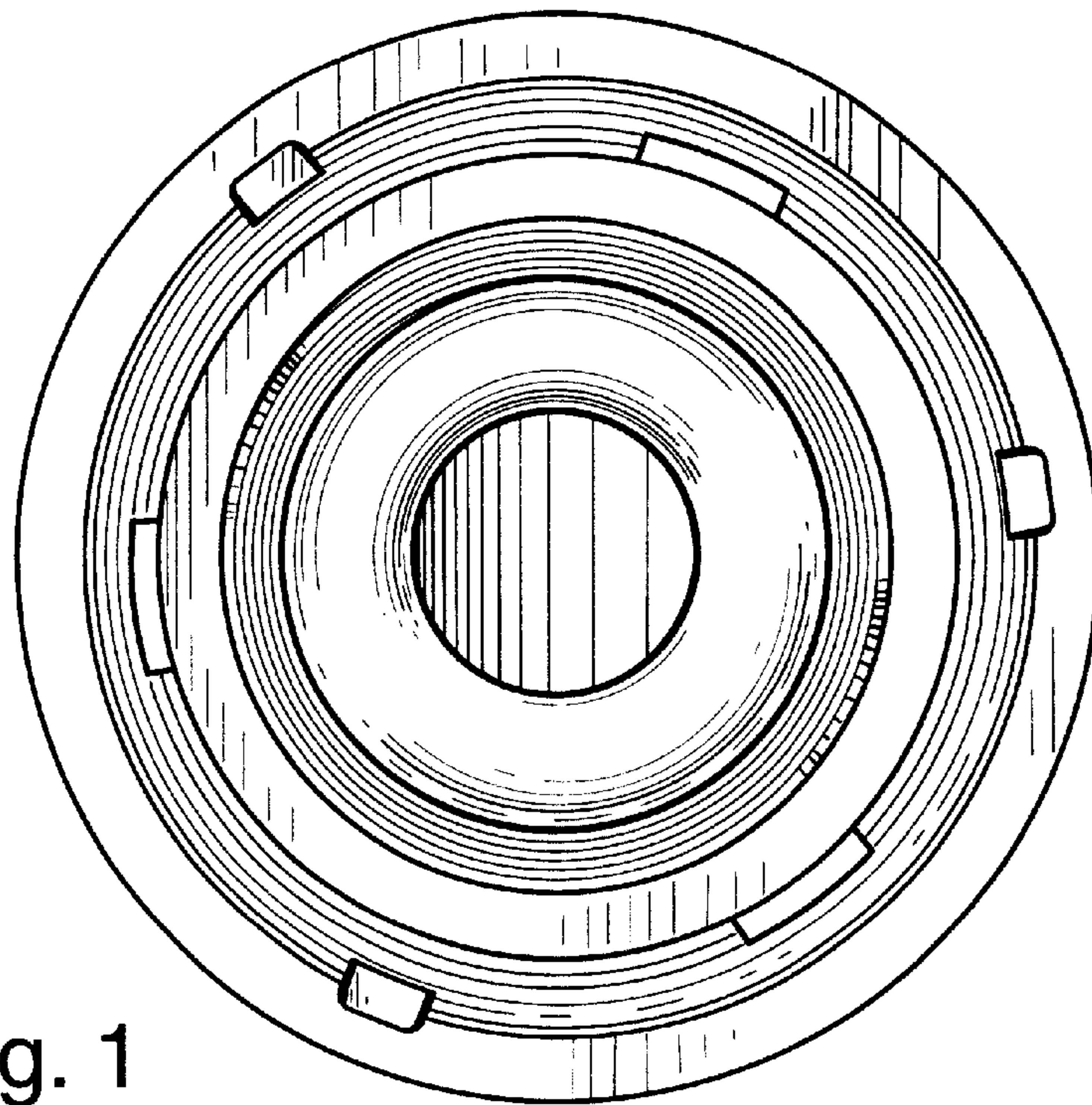


Fig. 1

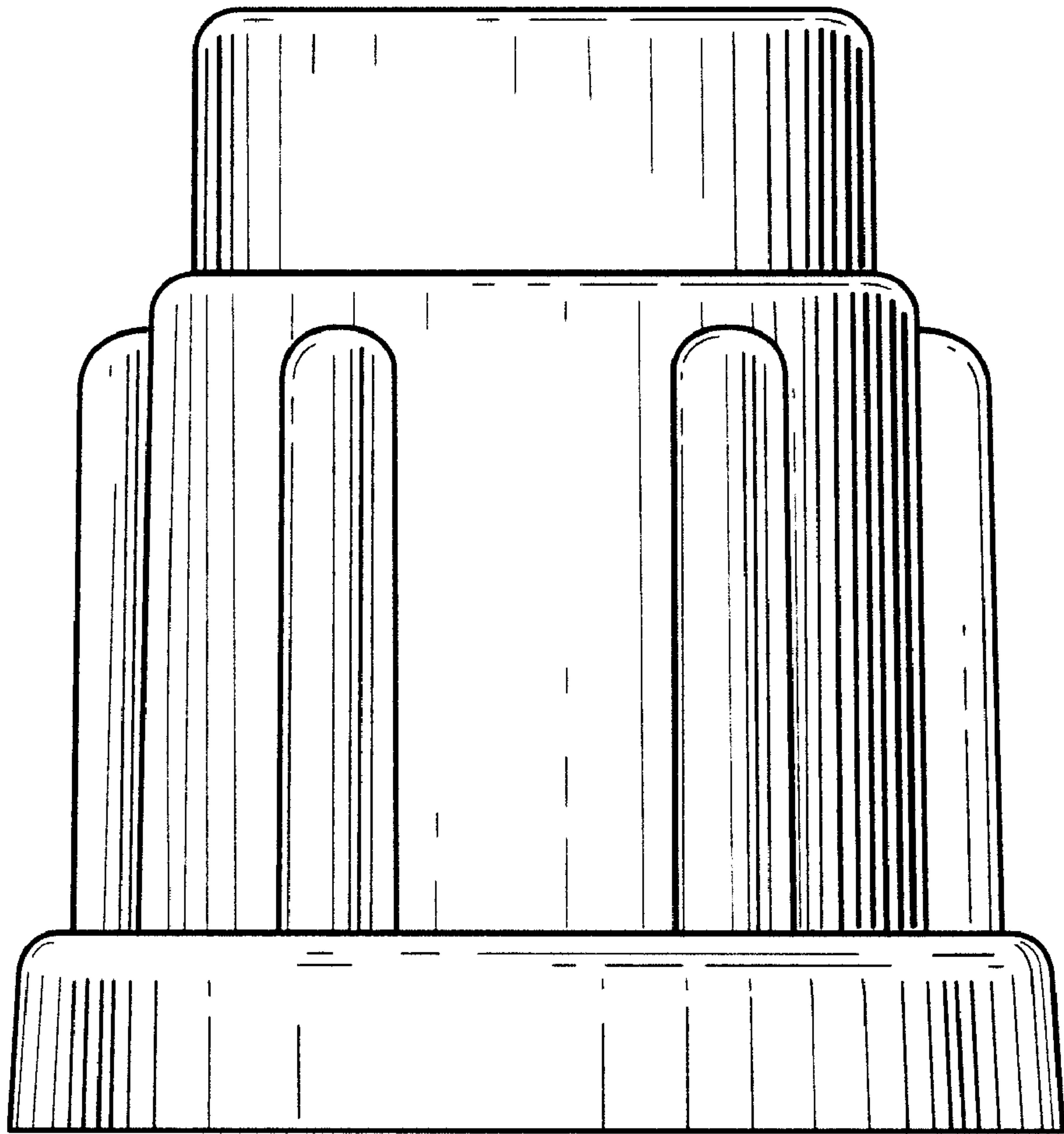


Fig. 3

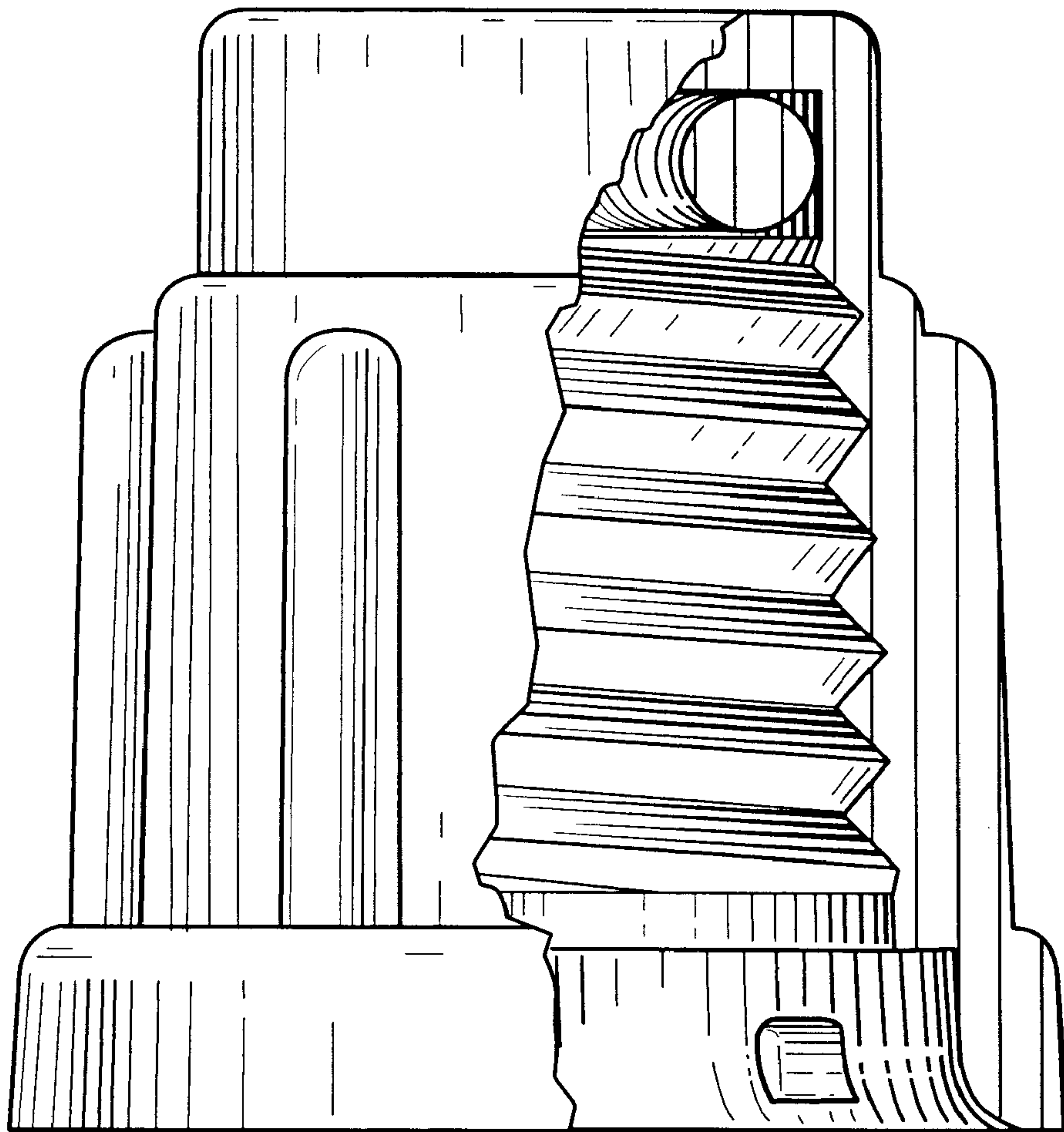


Fig. 4