



US00D461119S

(12) **United States Design Patent**
Hill

(10) **Patent No.:** **US D461,119 S**

(45) **Date of Patent:** **** Aug. 6, 2002**

(54) **JEWELRY DISPLAY BOX**

(75) Inventor: **Tracey Hill**, West Greenwich, RI (US)

(73) Assignee: **K&M Associates**, Providence, RI (US)

(**) Term: **14 Years**

(21) Appl. No.: **29/145,101**

(22) Filed: **Jul. 13, 2001**

(51) **LOC (7) Cl.** **09-03**

(52) **U.S. Cl.** **D9/320**

(58) **Field of Search** D9/320; D2/865,
D2/869, 873, 886; D3/270; 206/457, 458;
229/116.1

(56) **References Cited**

U.S. PATENT DOCUMENTS

2,048,425	A	*	7/1936	Caplain	2/175.3
3,402,807	A	*	9/1968	Hatcher, Jr.	206/8
D233,642	S	*	11/1974	Arnold	D9/320 X
D373,078	S	*	8/1996	Cheng	D9/320

* cited by examiner

Primary Examiner—Terry A. Wallace

(74) *Attorney, Agent, or Firm*—Salter & Michaelson

(57) **CLAIM**

The ornamental design for a jewelry display box, as shown and described.

DESCRIPTION

FIG. 1 is a perspective view of a jewelry display box showing my new design;

FIG. 2 is a top plan view thereof;

FIG. 3 is a bottom plan view thereof;

FIG. 4 is a front elevational view thereof;

FIG. 5 is a rear elevational view thereof;

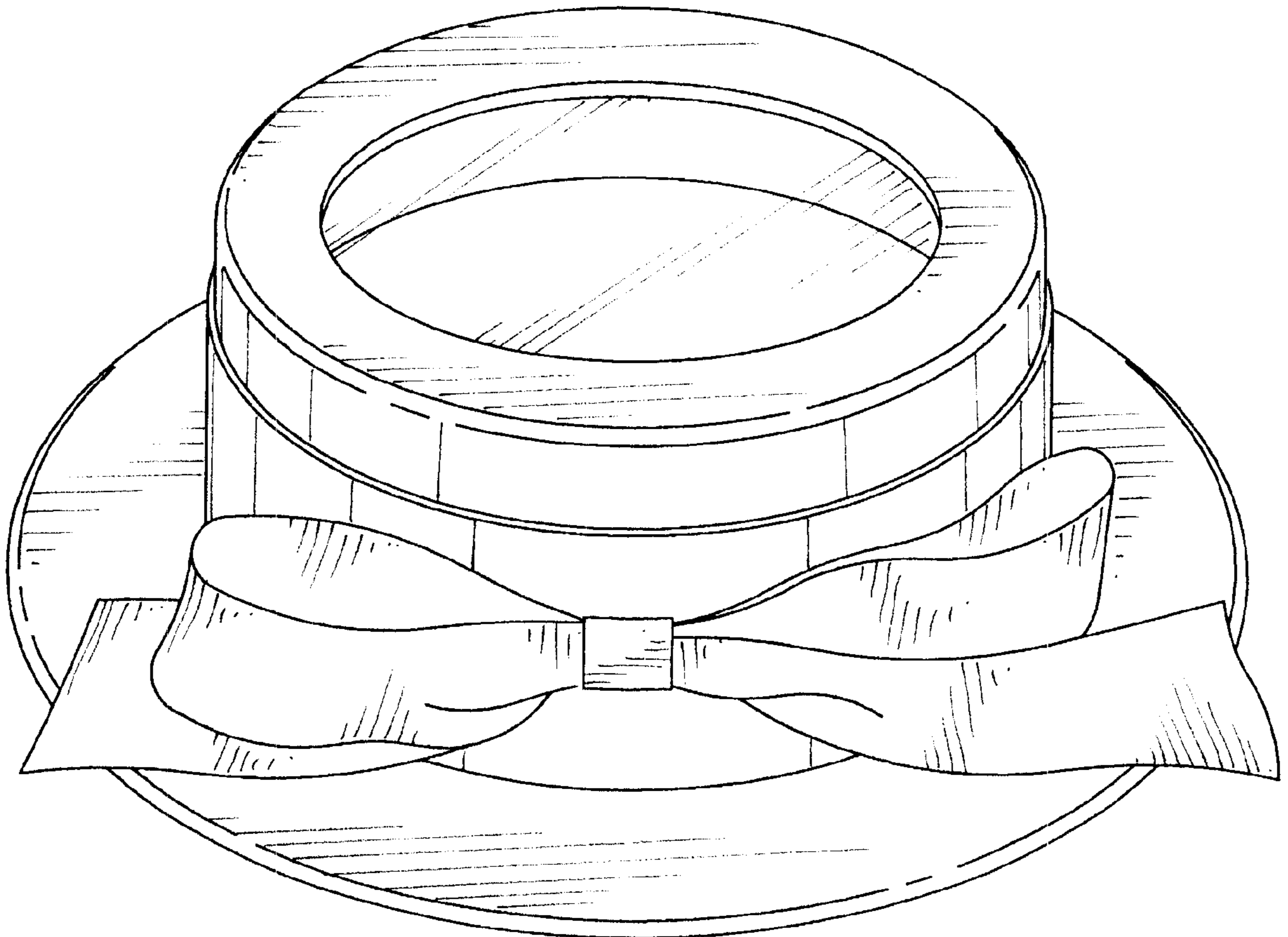
FIG. 6 is a left side elevational view thereof;

FIG. 7 is a right side elevational view thereof; and,

FIG. 8 is a perspective view showing the cover of the box in removed relation with respect to the body of the box.

The portions shown in broken lines in FIG. 8 are for information only and form no part of the instant design.

1 Claim, 6 Drawing Sheets



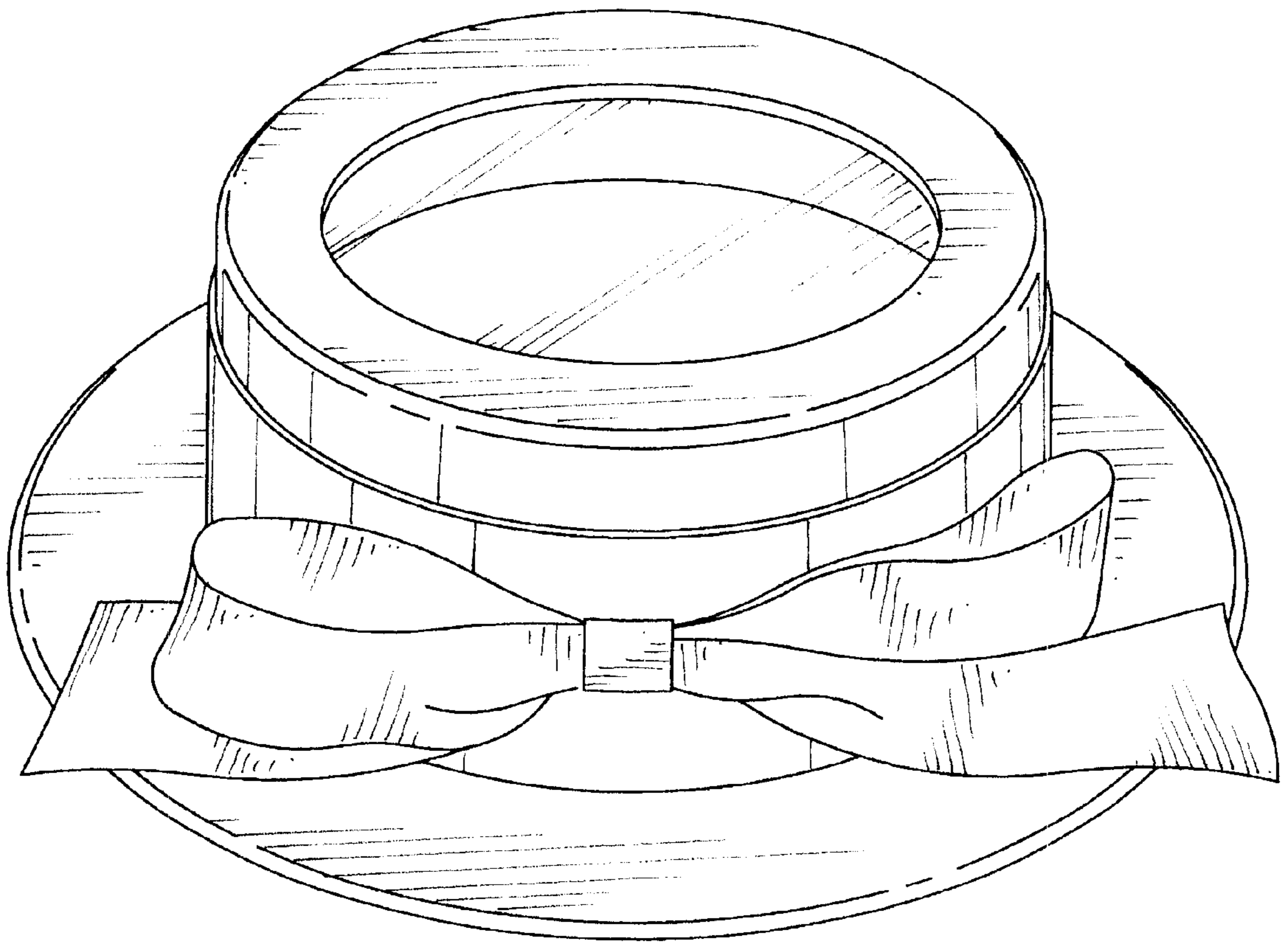


FIG. 1

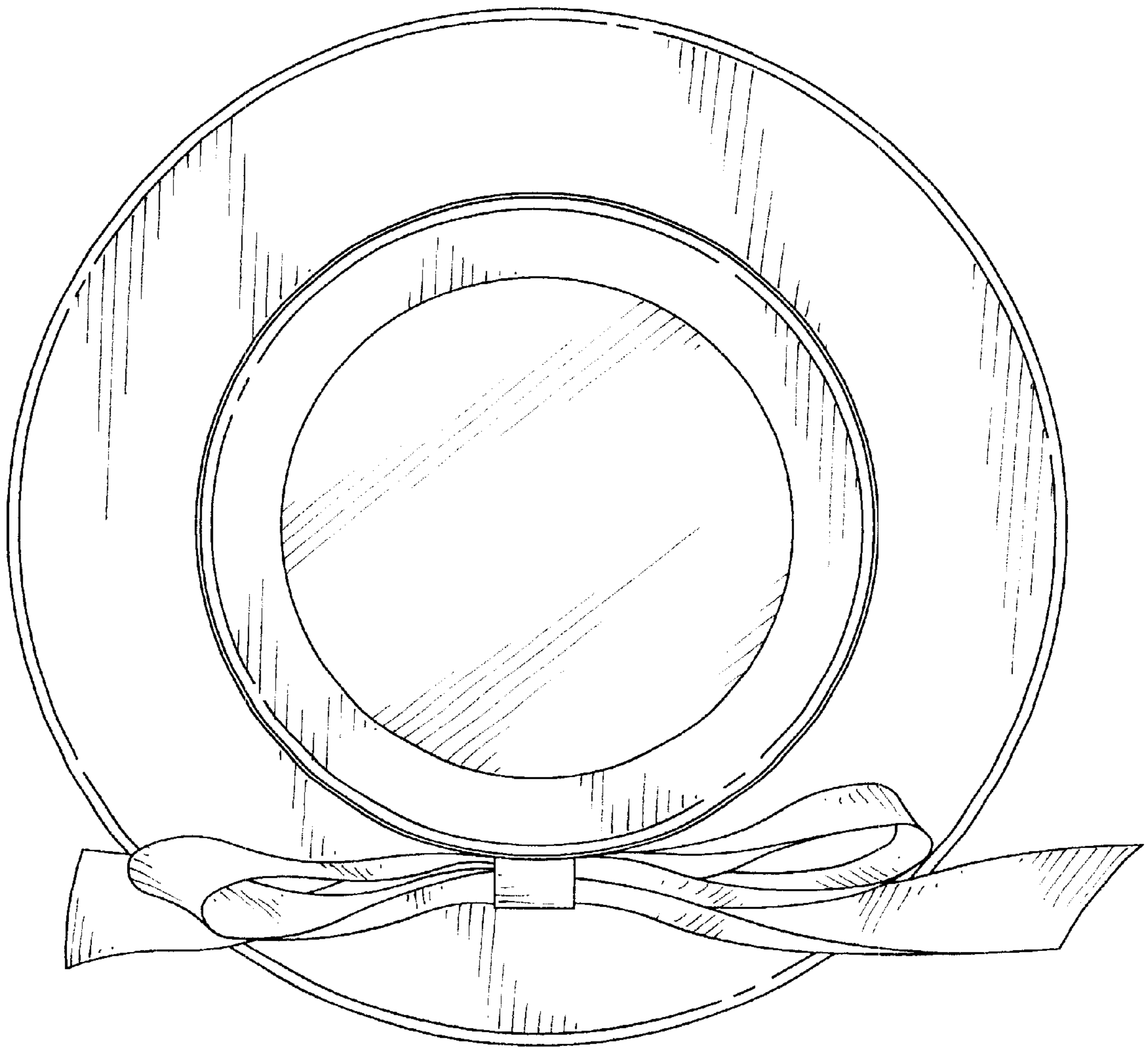


FIG. 2

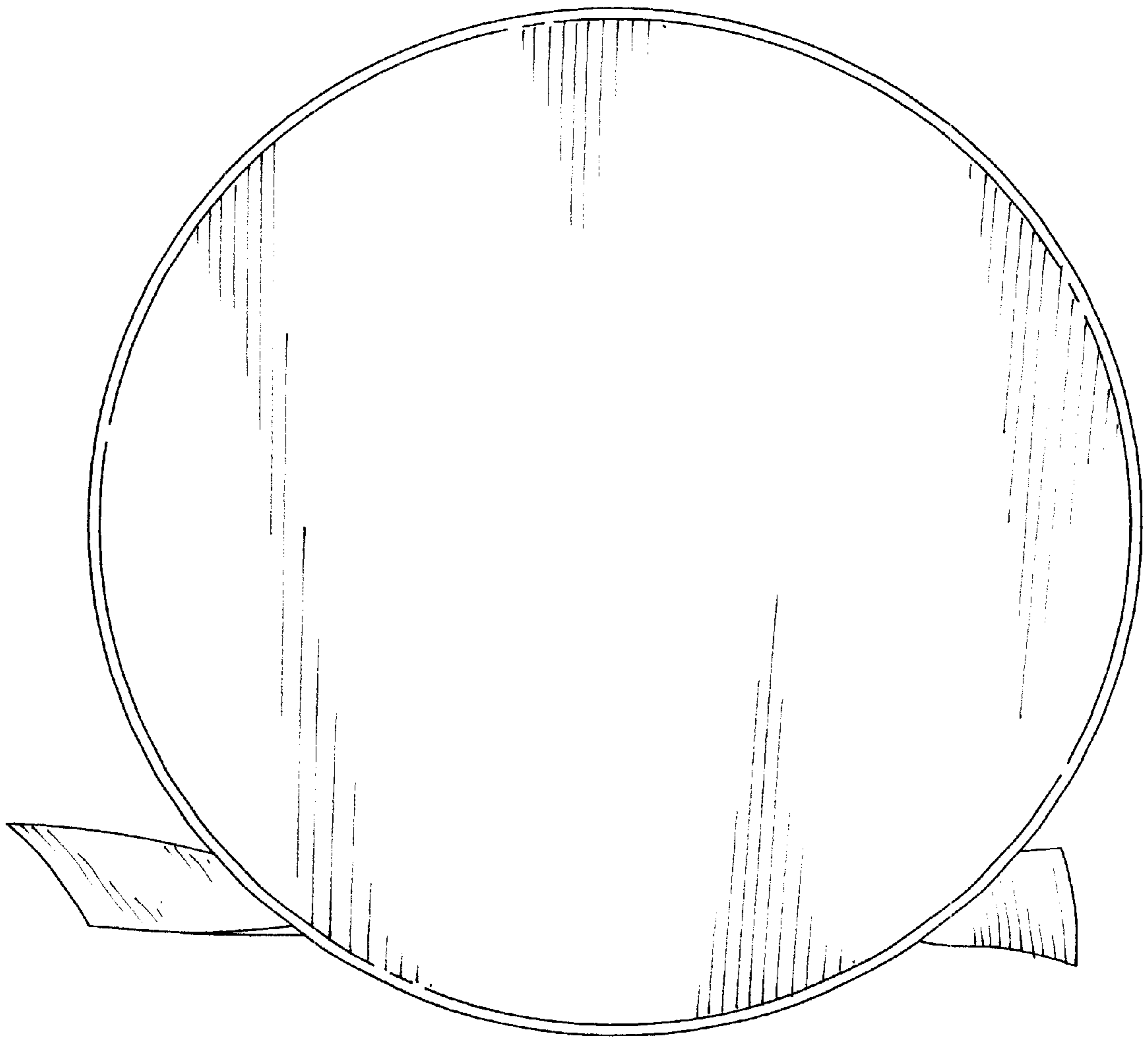


FIG. 3

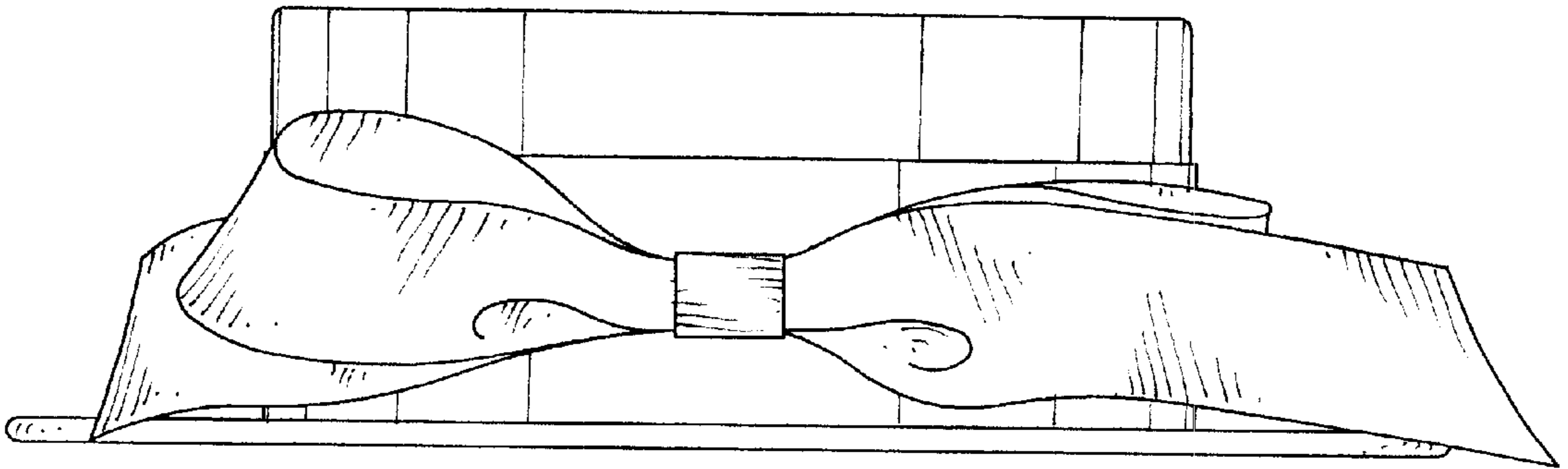


FIG. 4

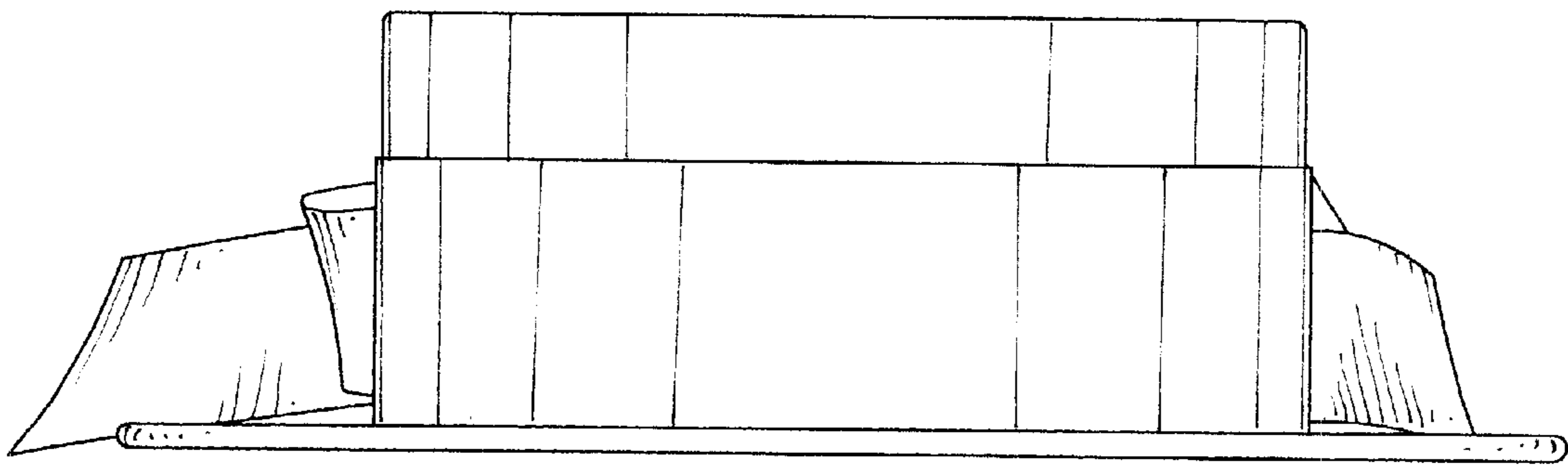


FIG. 5

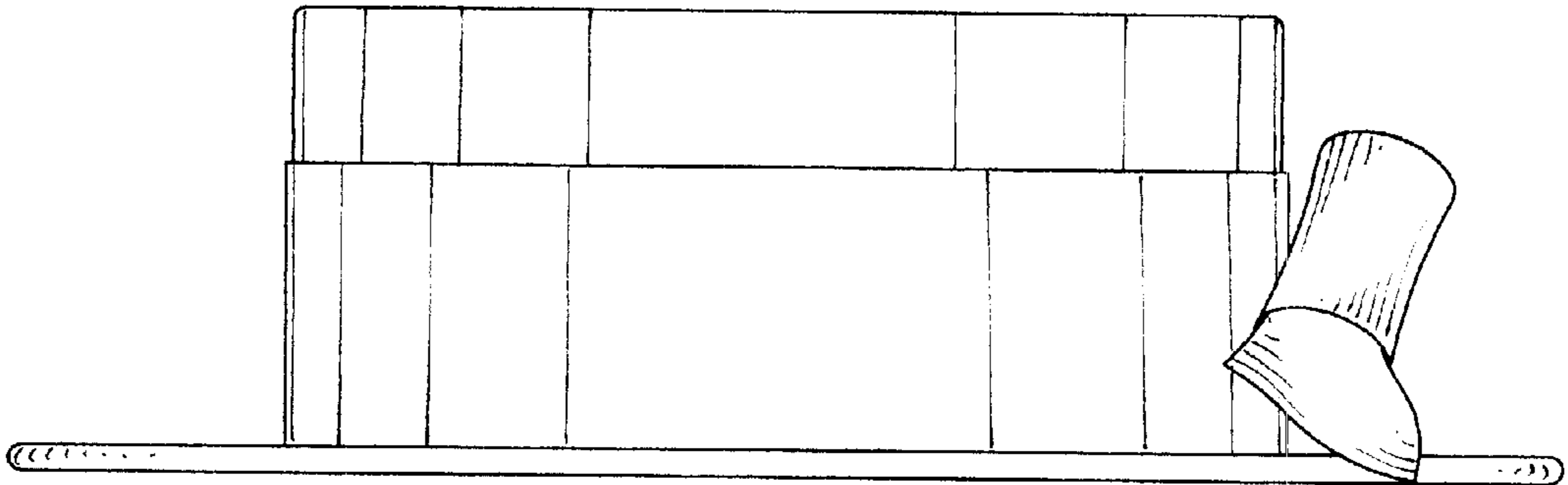


FIG. 6

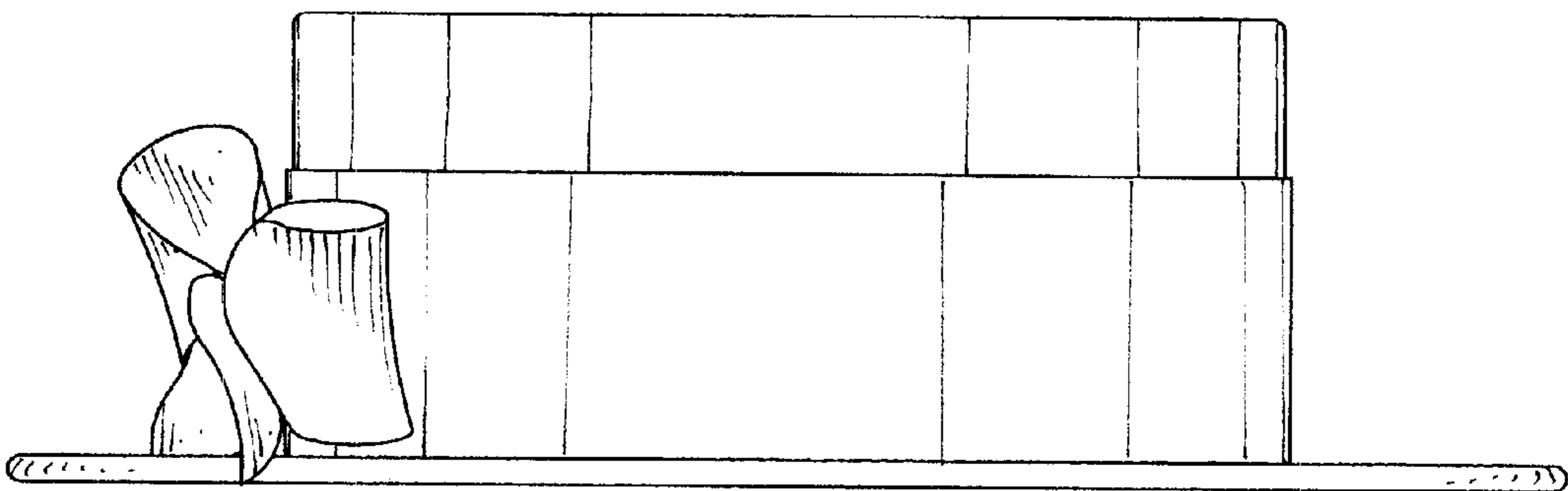


FIG. 7

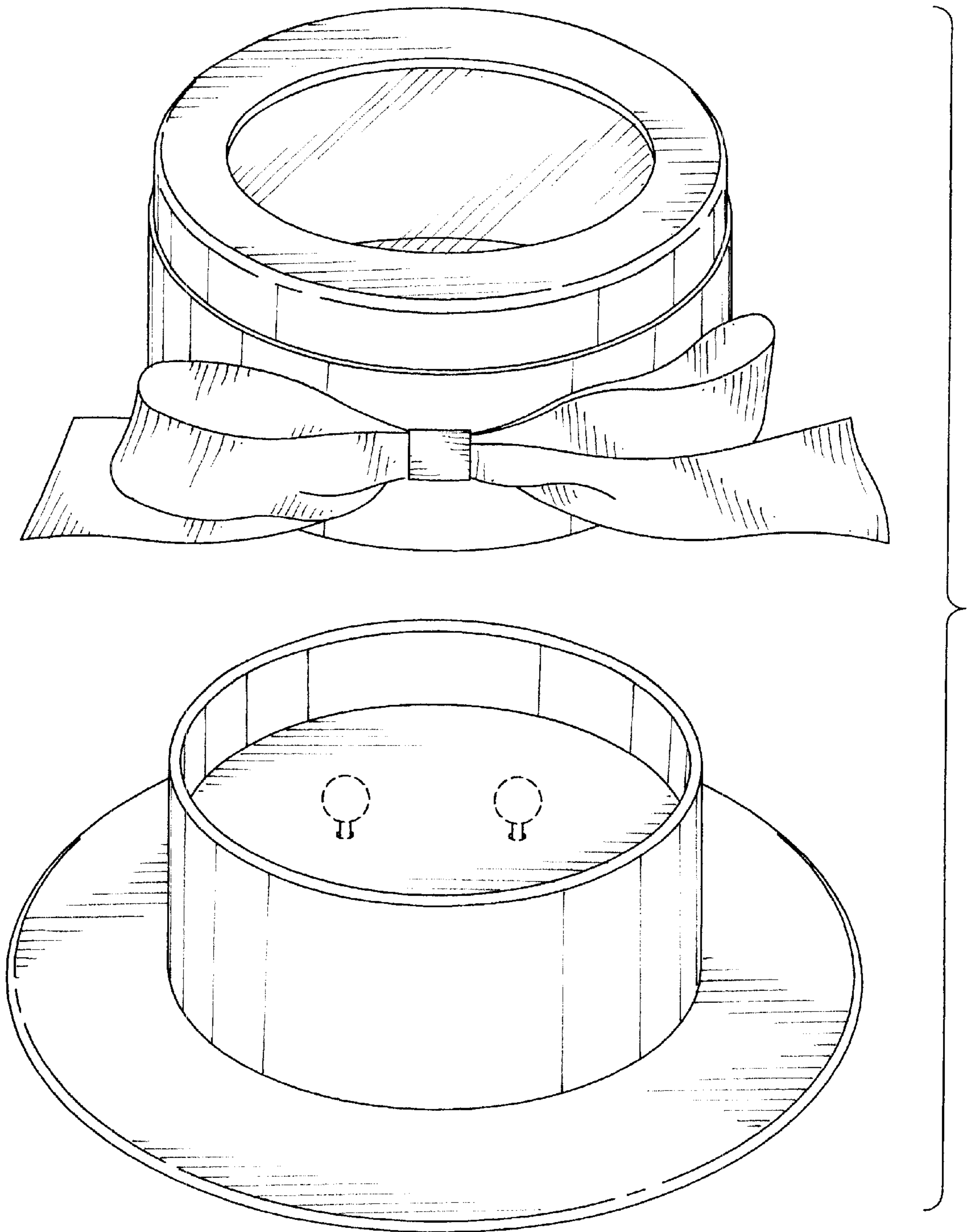


FIG. 8