



US00D461114S

(12) **United States Design Patent**
Aubert Capella

(10) **Patent No.:** **US D461,114 S**
(45) **Date of Patent:** **** Aug. 6, 2002**

(54) **SWITCH PLATE**

(75) Inventor: **Joaquin Aubert Capella**, Barcelona (ES)

(73) Assignee: **Simon, S.A.**, Barcelona (ES)

(**) Term: **14 Years**

(21) Appl. No.: **29/152,465**

(22) Filed: **Dec. 19, 2001**

Related U.S. Application Data

(62) Division of application No. 29/139,867, filed on Apr. 6, 2001.

(30) **Foreign Application Priority Data**

Oct. 6, 2000 (ES) 149 529

(51) **LOC (7) Cl.** **11-05**

(52) **U.S. Cl.** **D8/353**

(58) **Field of Search** D8/350-353; D13/177;
222/241; 174/66; 16/402; D6/300, 303,
309, 301

(56) **References Cited**

U.S. PATENT DOCUMENTS

- 3,689,868 A * 9/1972 Snyder 174/66
- 5,073,681 A * 12/1991 Hubben et al. 174/66
- D340,718 S * 10/1993 Leger et al. D8/353
- D379,453 S * 5/1997 Fabrizi D13/177
- D430,478 S * 9/2000 De brey et al. D8/353
- 6,281,440 B1 * 8/2001 Baldwin et al. 220/241

* cited by examiner

Primary Examiner—B. J. Bullock

(74) *Attorney, Agent, or Firm*—Michael J. Striker

(57) **CLAIM**

The ornamental design for a switch plate, as shown and described.

DESCRIPTION

FIG. 1 is a top front and left side perspective view of an inner frame for a single switch plate;

FIG. 2 is a front view thereof;

FIG. 3 is a top plan view thereof;

FIG. 4 is a right side view thereof which is a mirror image of the left side thereof;

FIG. 5 is a rear view thereof;

FIG. 6 is a bottom plan view thereof;

FIG. 7 is a top front and left side perspective view of an inner frame for a double switch plate;

FIG. 8 is a front view thereof;

FIG. 9 is a top plan view thereof;

FIG. 10 is a right side view thereof which is a mirror image of the left side thereof;

FIG. 11 is a rear view thereof;

FIG. 12 is a bottom plan view thereof;

FIG. 13 is a top front and left side perspective view of an inner frame for a triple switch plate;

FIG. 14 is a front view thereof;

FIG. 15 is a top plan view thereof;

FIG. 16 is a right side view thereof which is a mirror image of the left side thereof;

FIG. 17 is a rear view thereof;

FIG. 18 is a bottom plan view thereof;

FIG. 19 is a top front and left side perspective view of an inner frame for a quadruple switch plate;

FIG. 20 is a front view thereof;

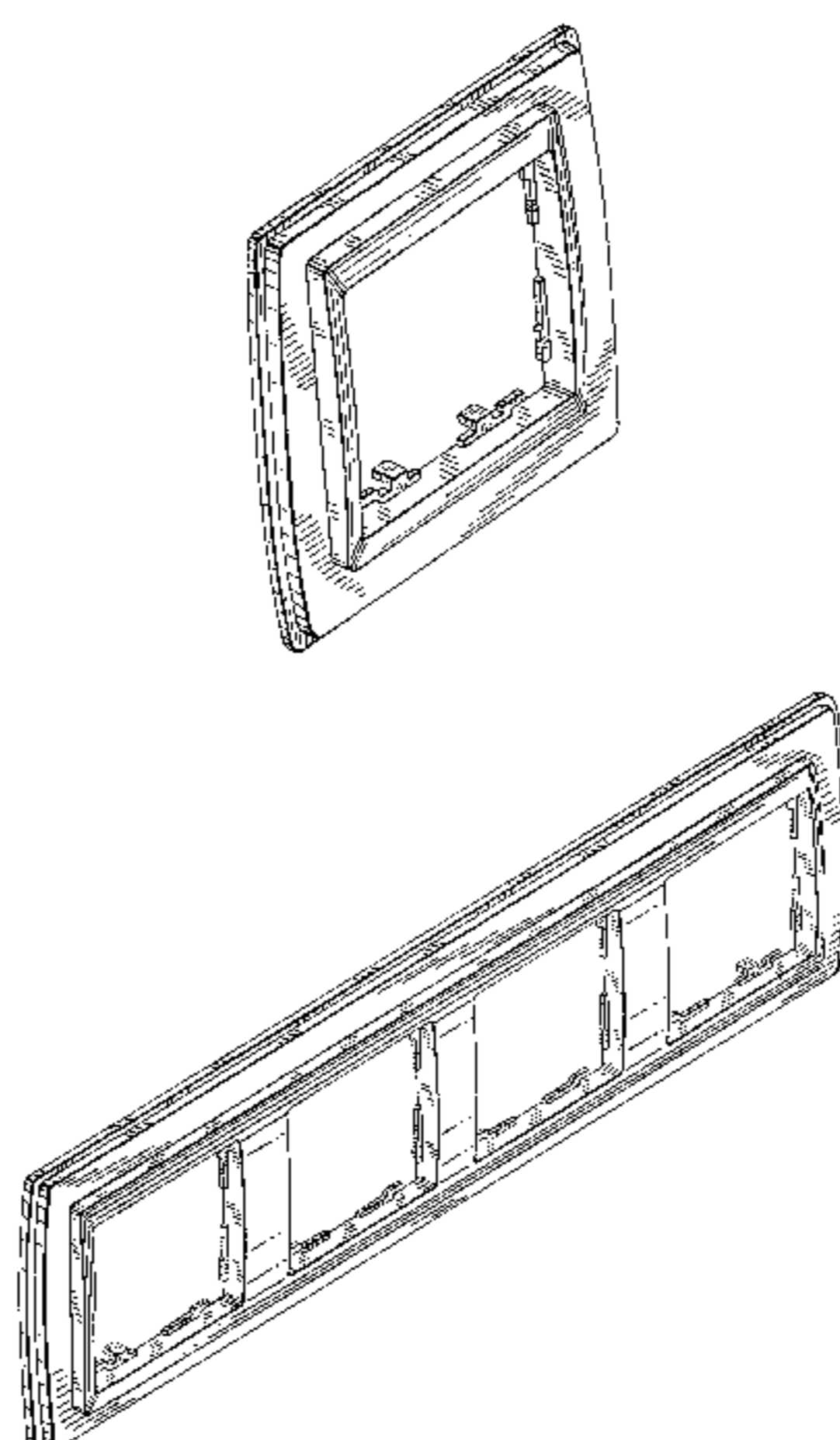
FIG. 21 is a top plan view thereof;

FIG. 22 is a right side view thereof which is a mirror image of the left side thereof;

FIG. 23 is a rear view thereof; and,

FIG. 24 is a bottom plan view thereof.

1 Claim, 11 Drawing Sheets



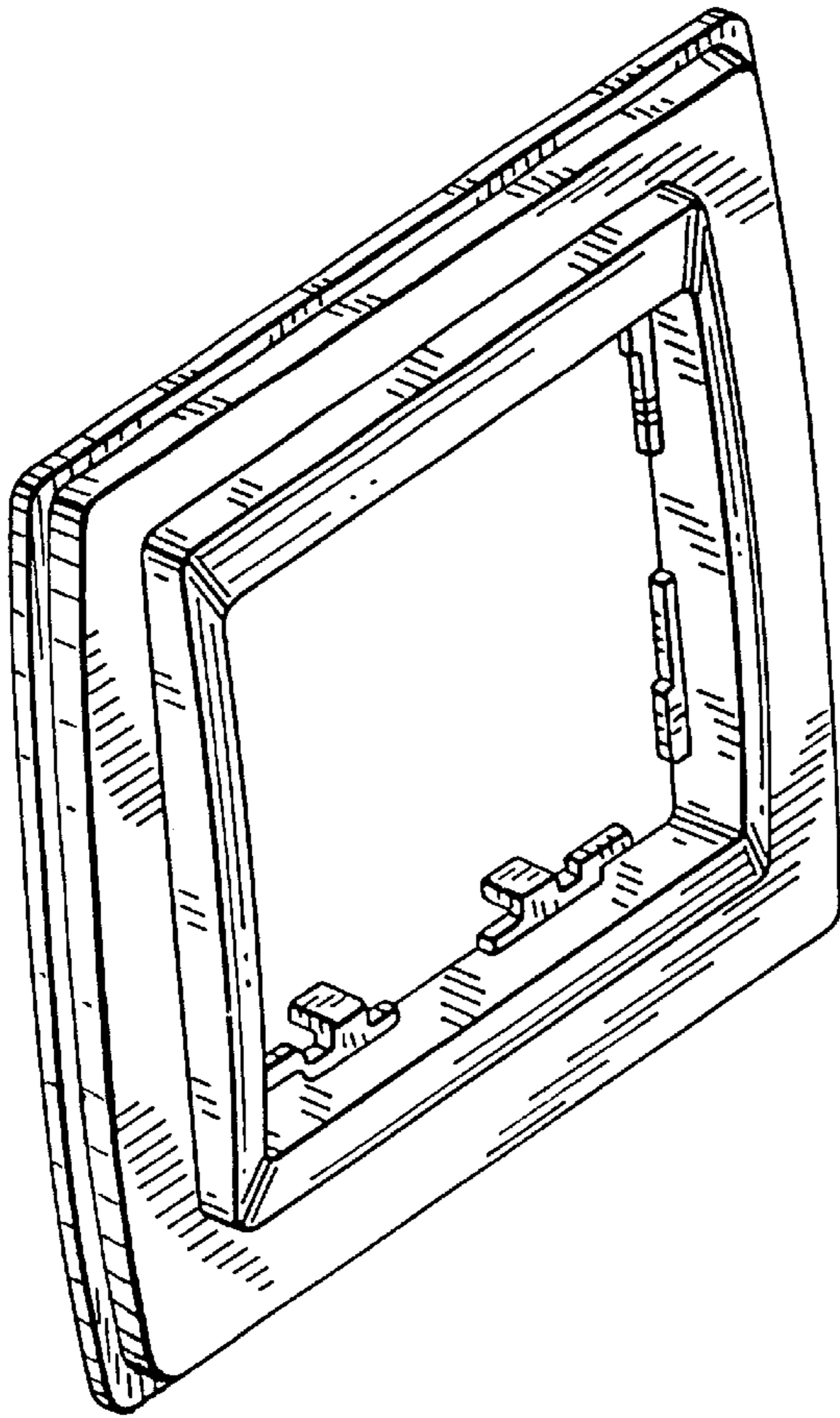


FIG. 1

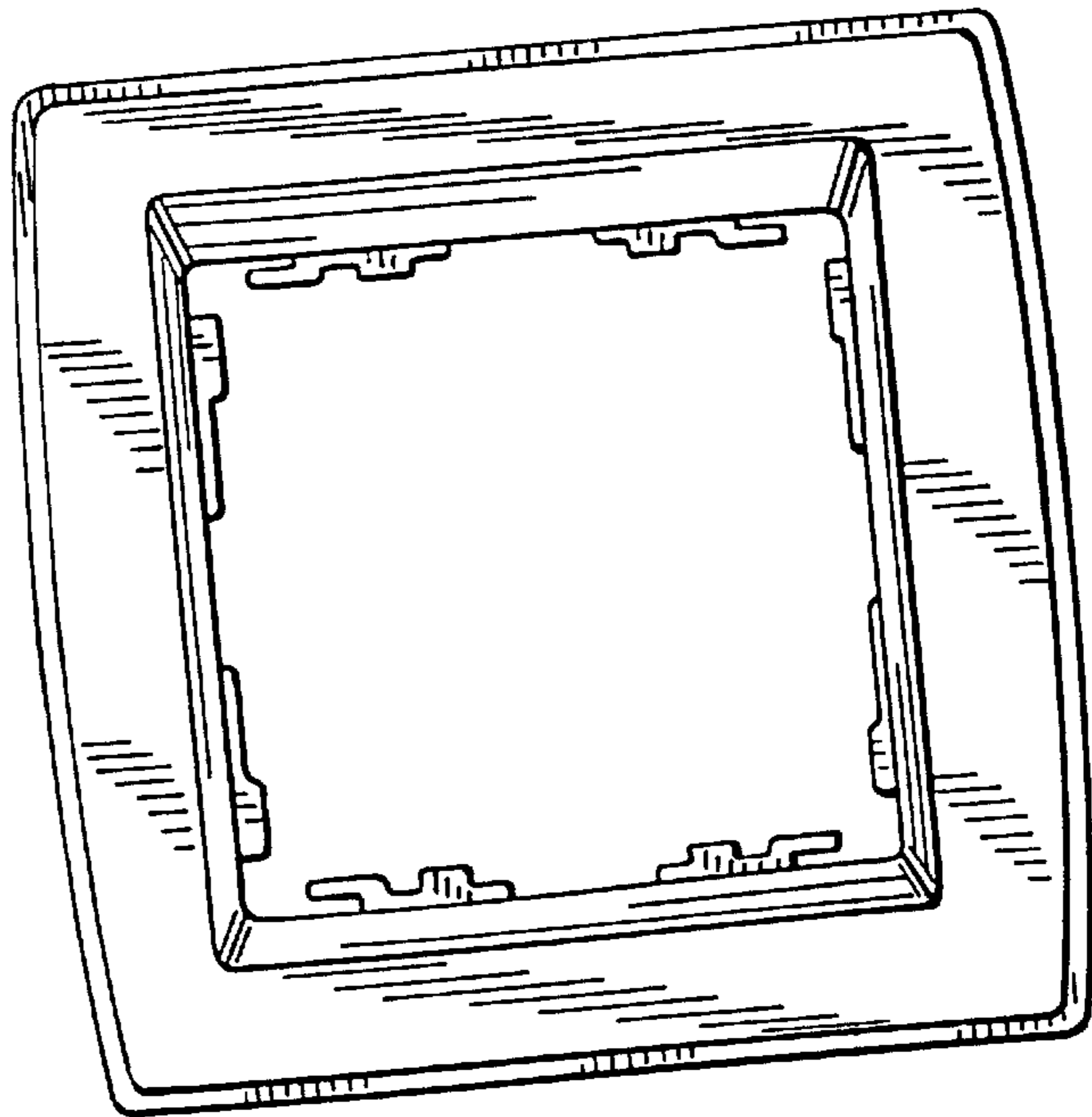


FIG. 2

FIG. 3

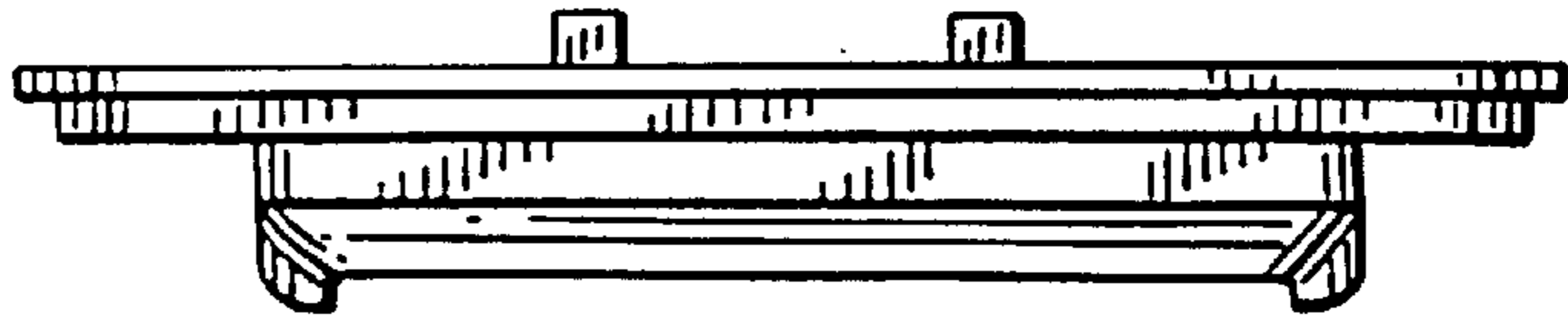


FIG. 4

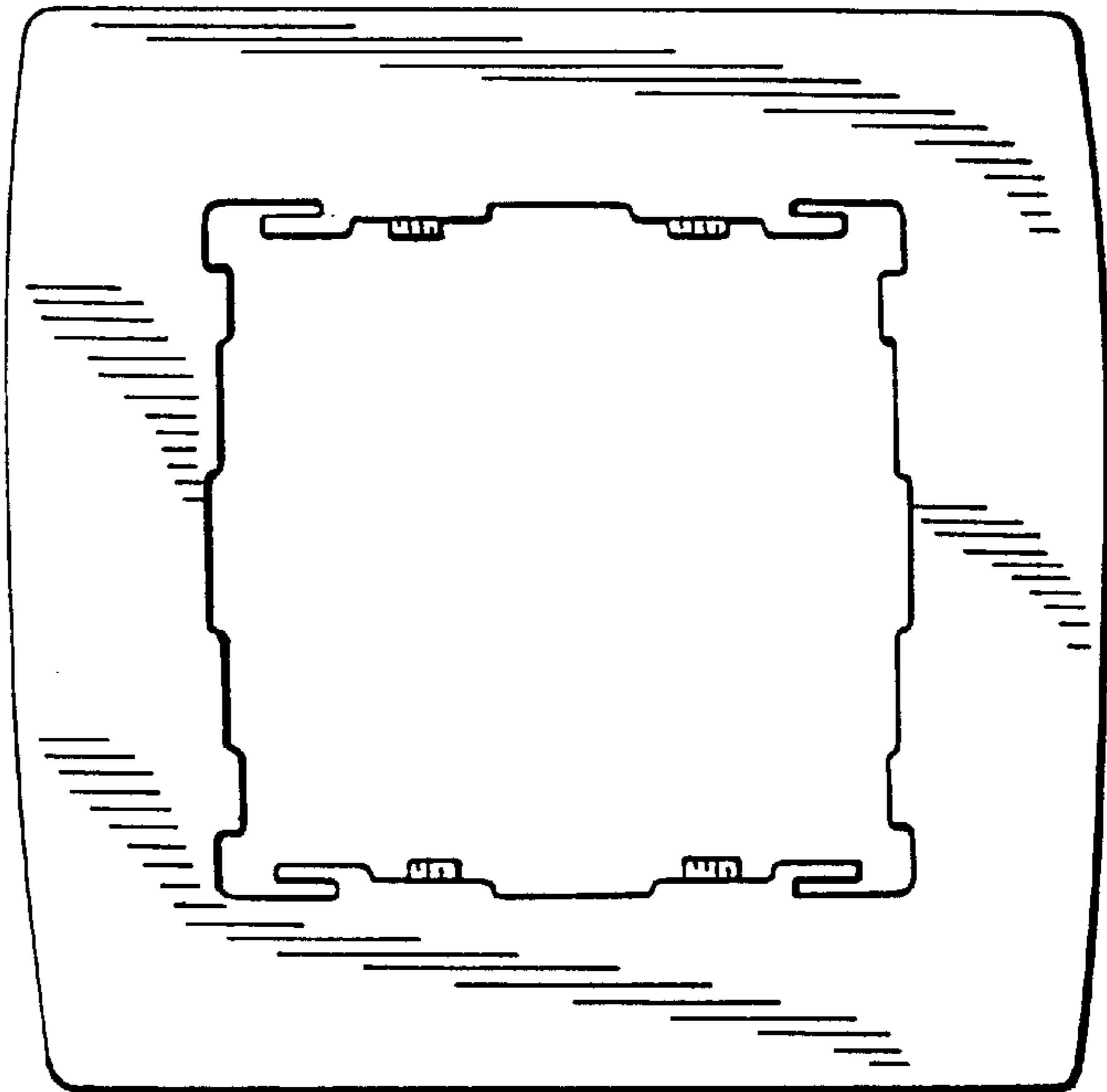
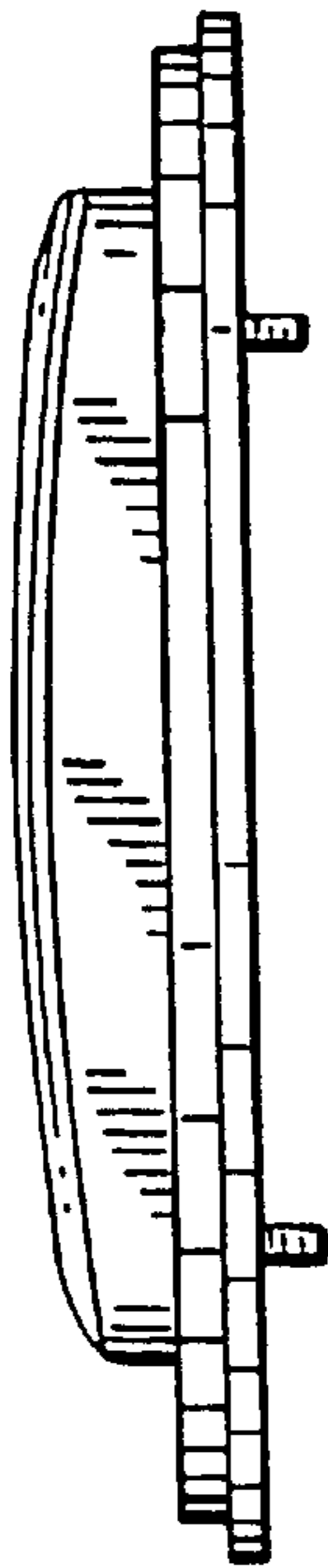


FIG. 5

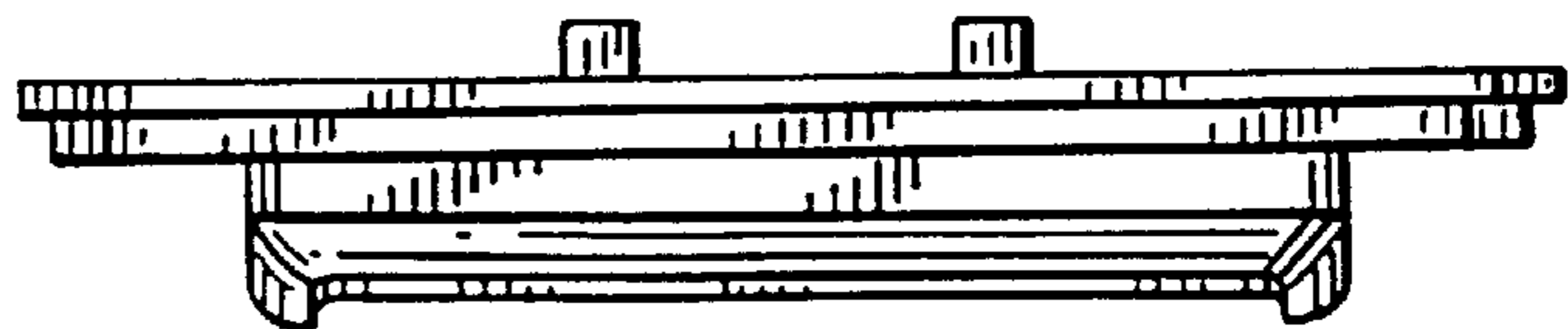


FIG. 6

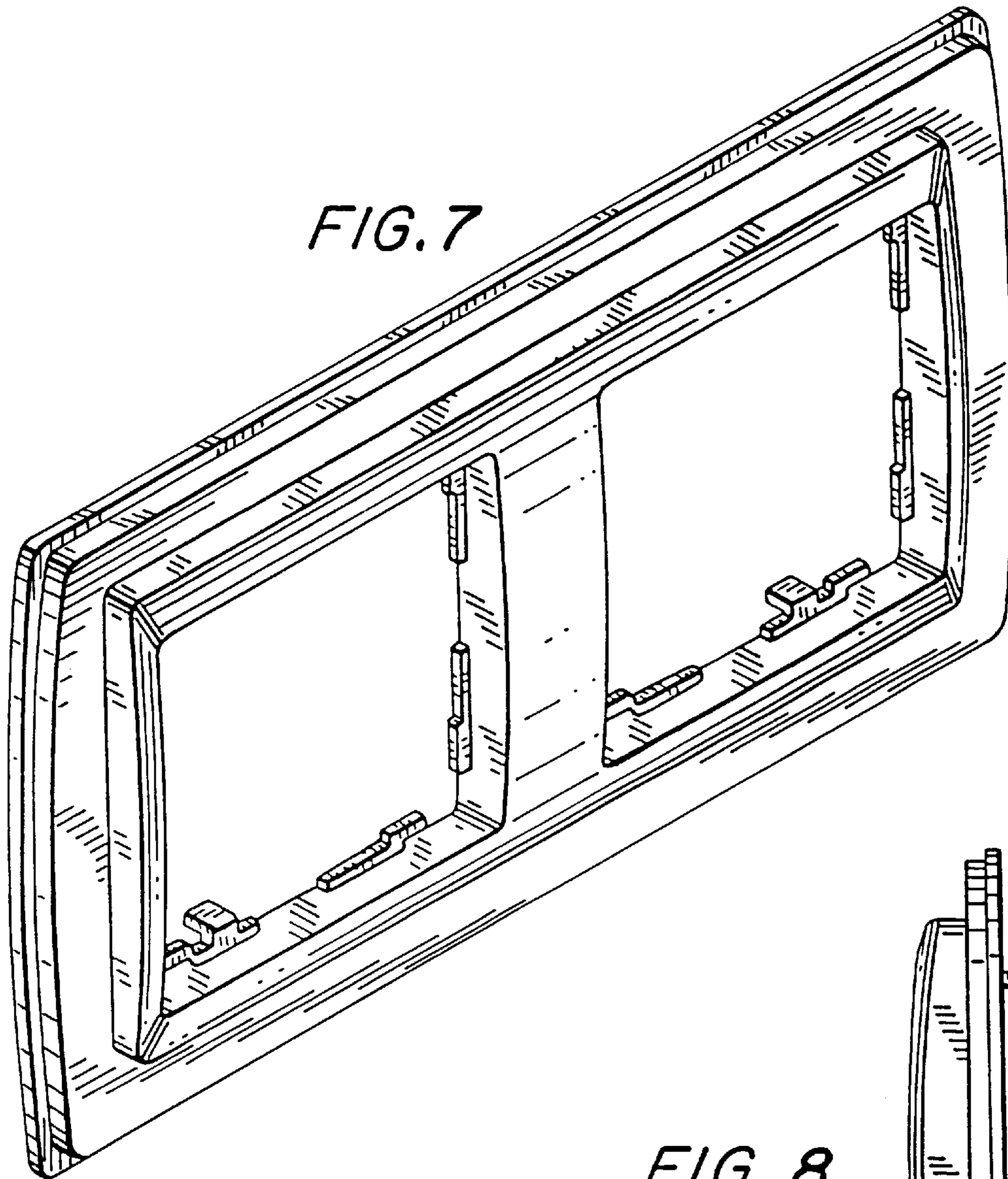


FIG. 8

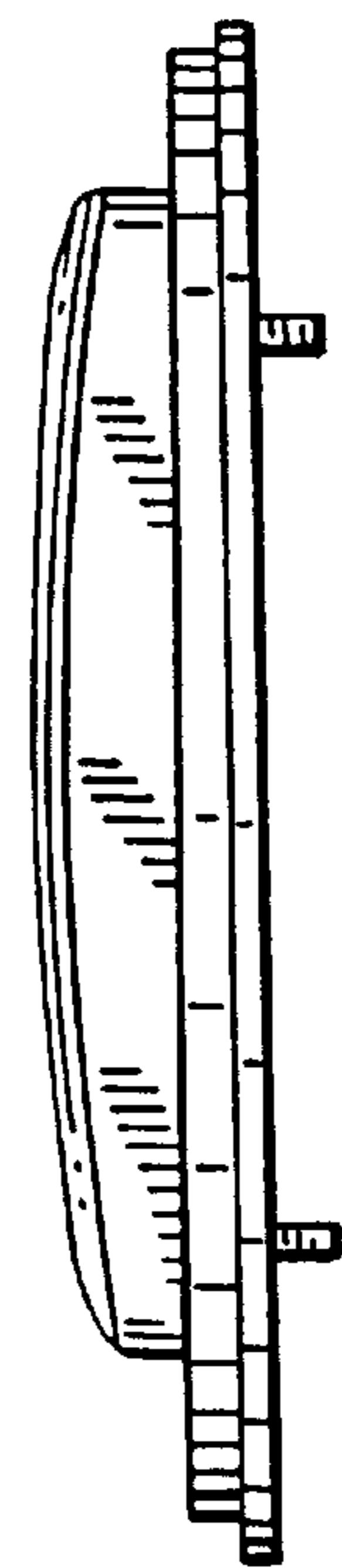


FIG. 9

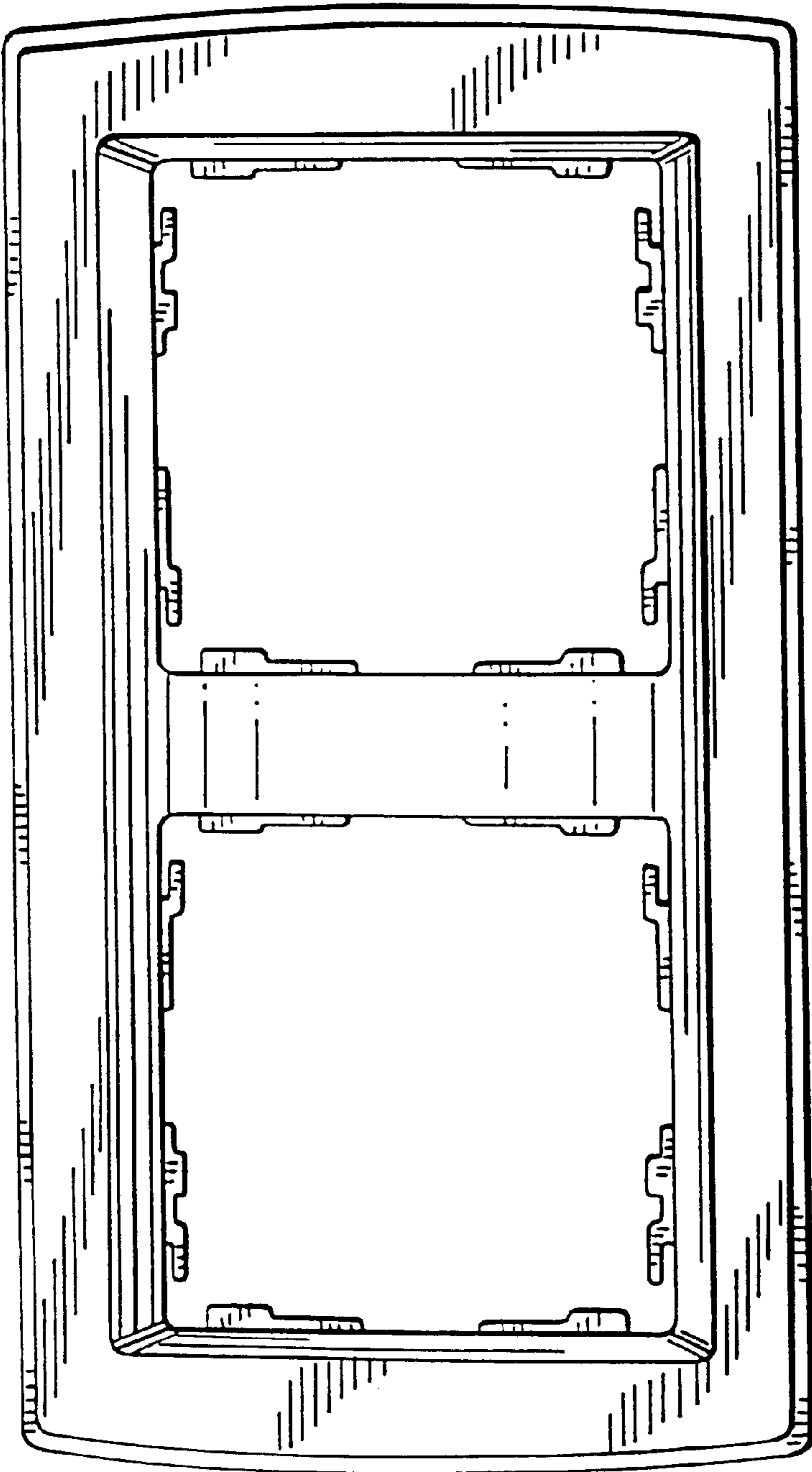


FIG. 10

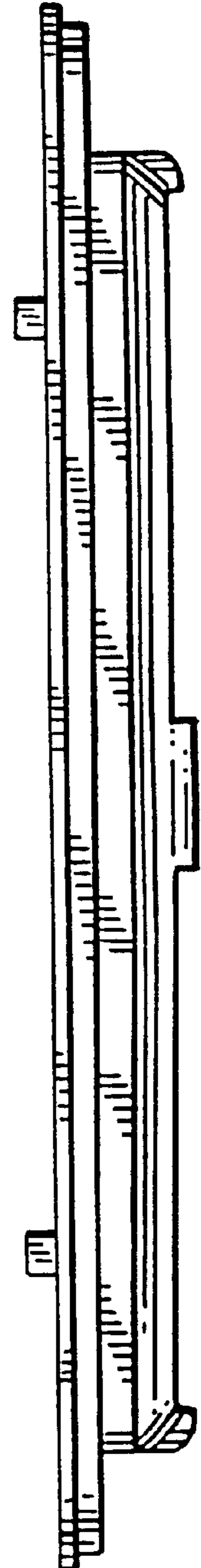


FIG. 11

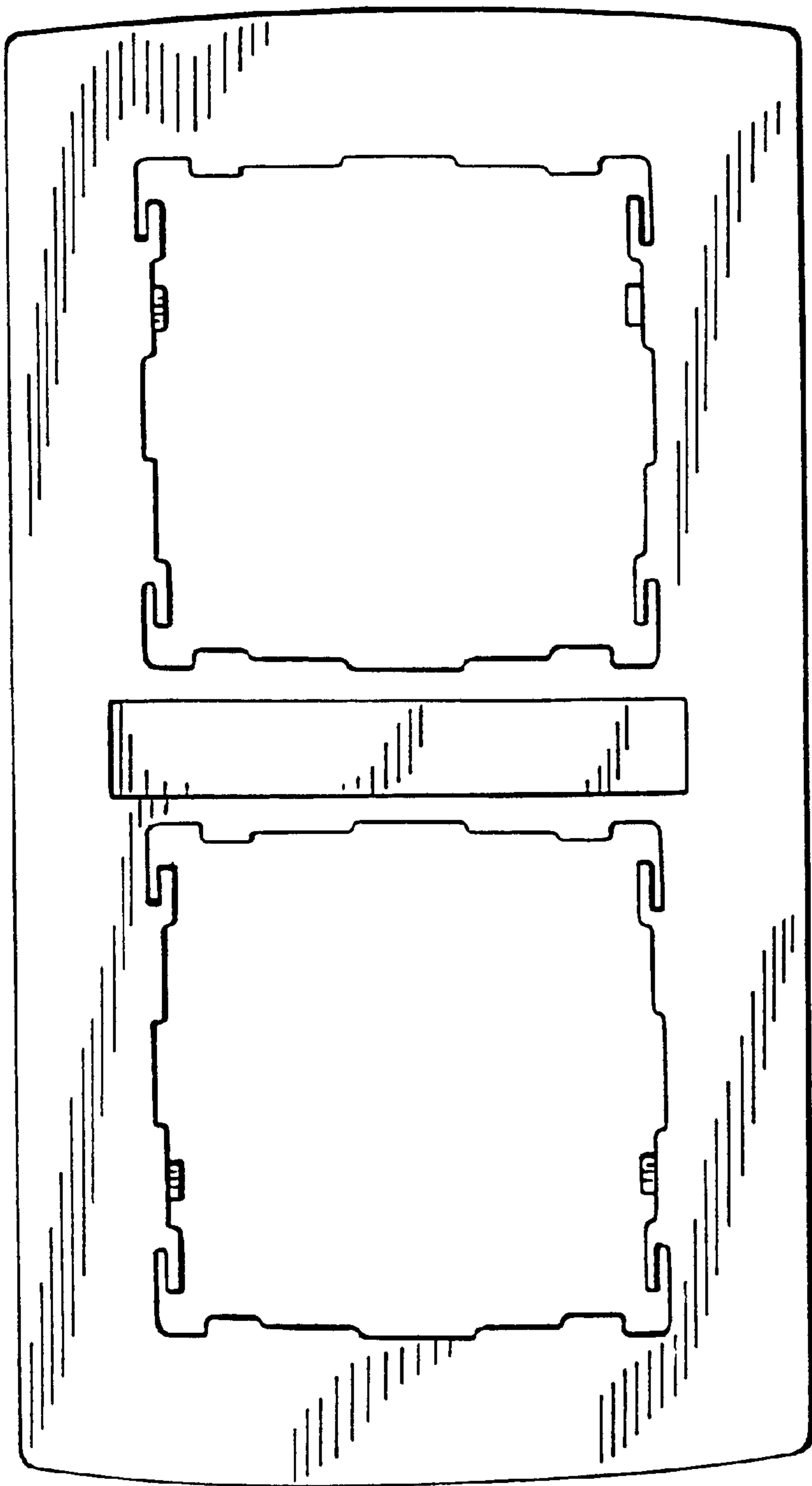


FIG. 12

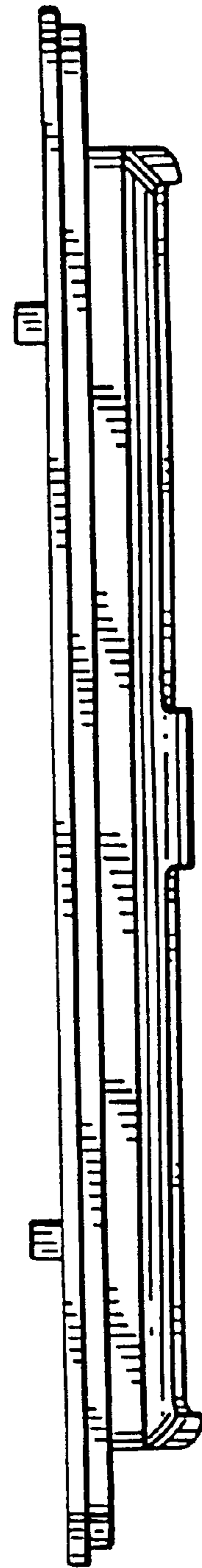




FIG. 14

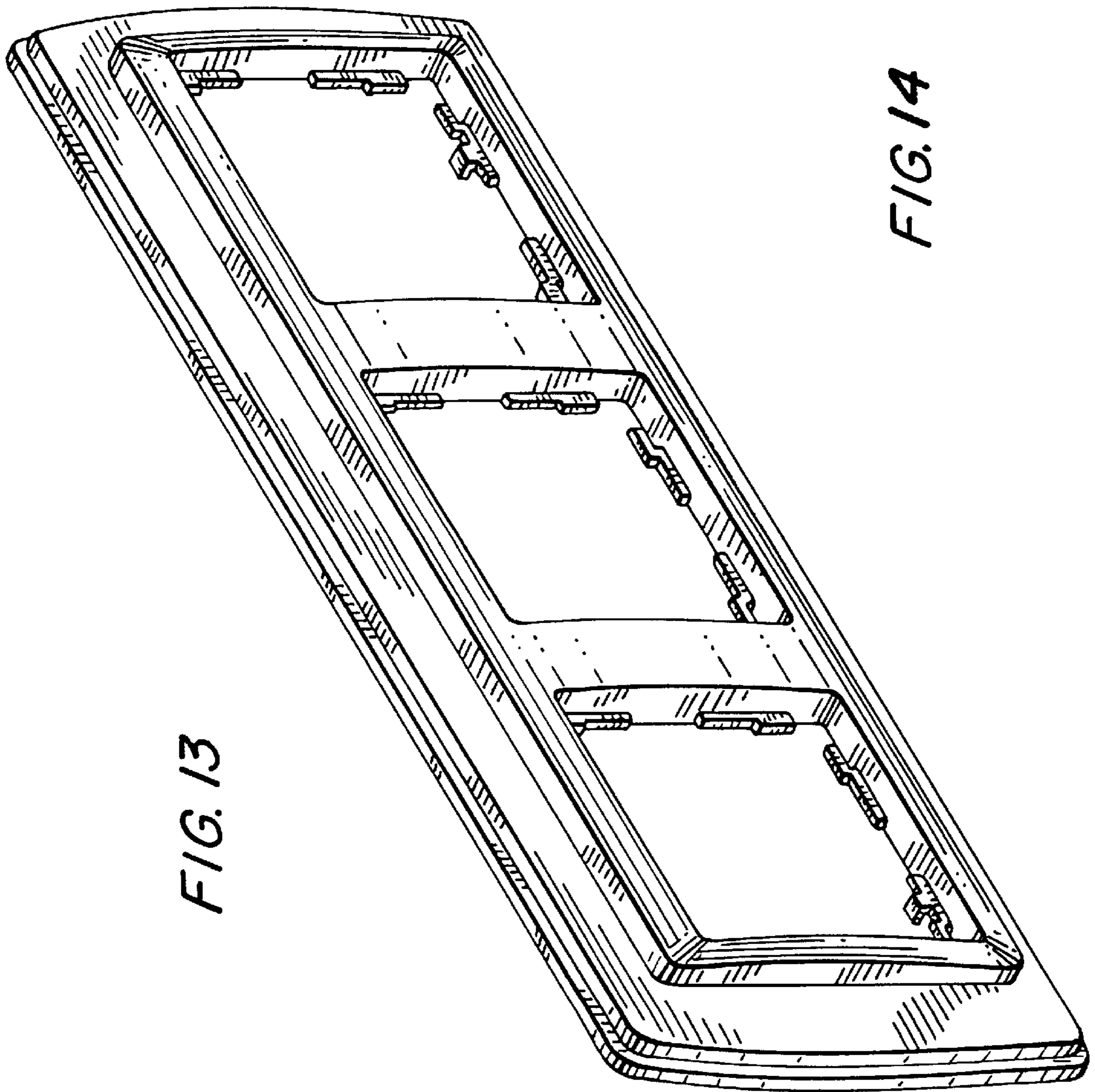


FIG. 13

FIG. 15

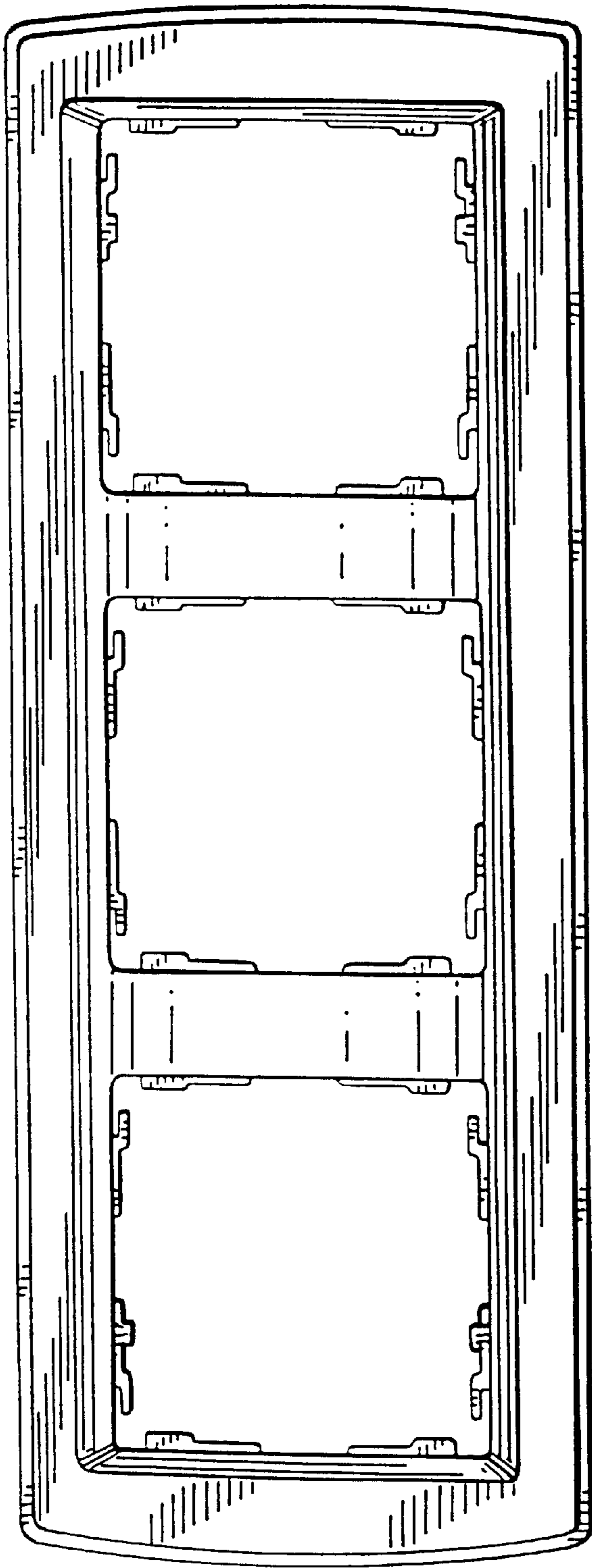


FIG. 16

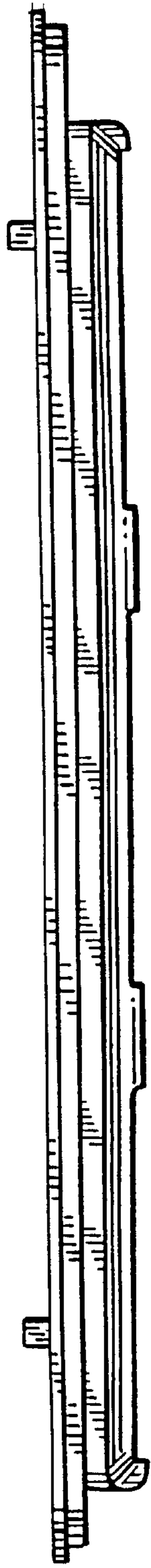


FIG. 17

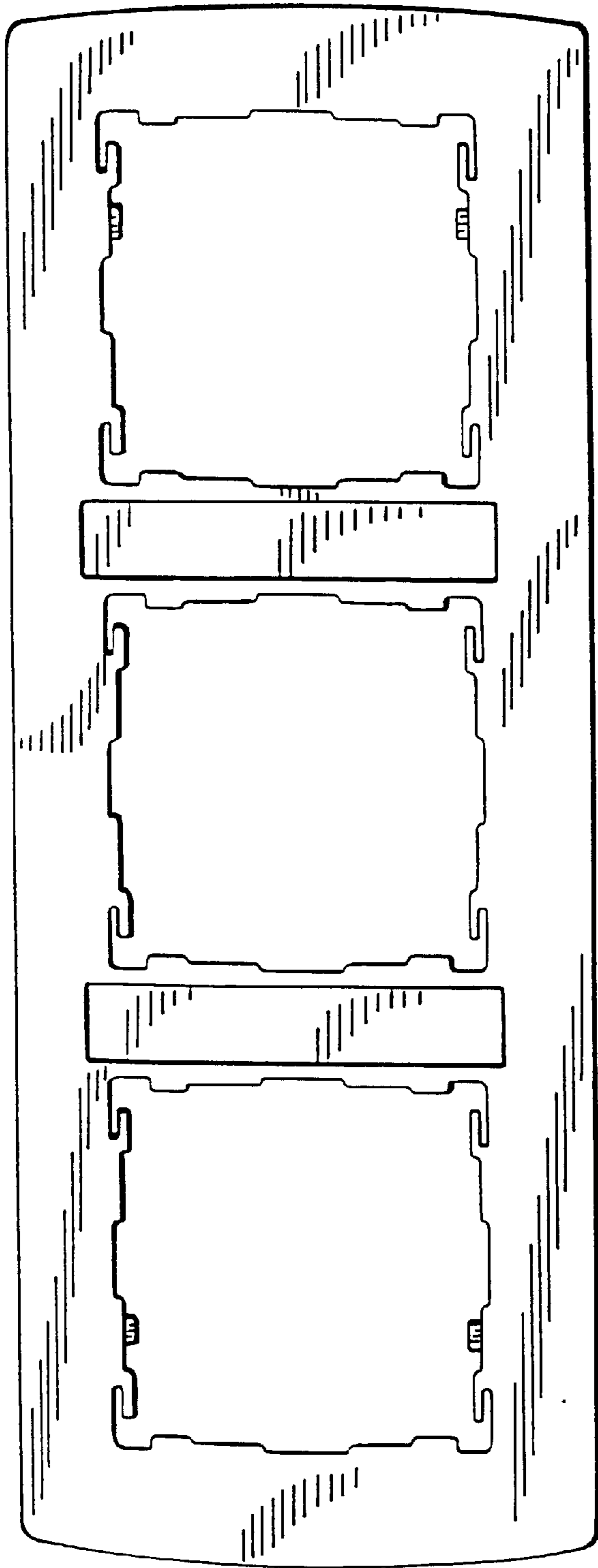
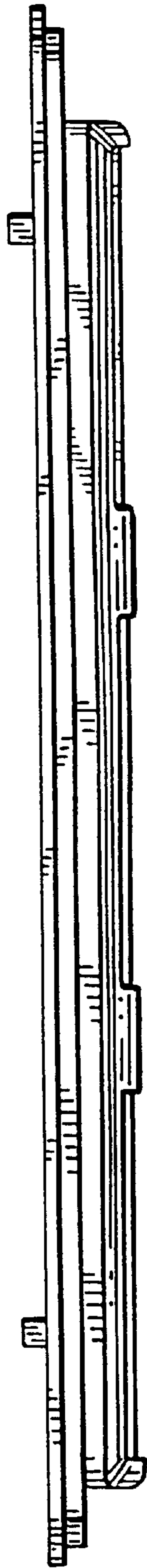


FIG. 18



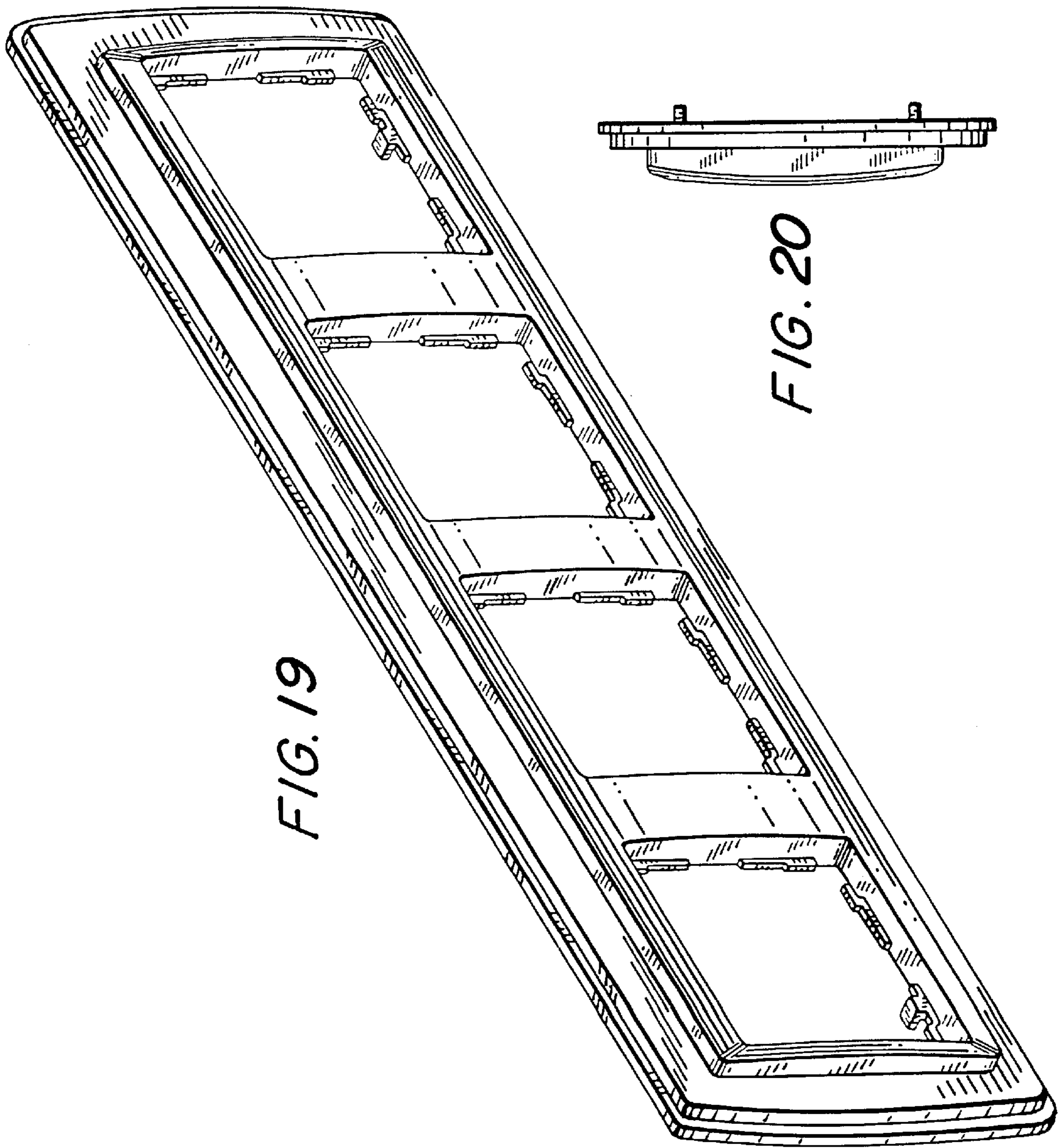


FIG. 19

FIG. 20

FIG. 21

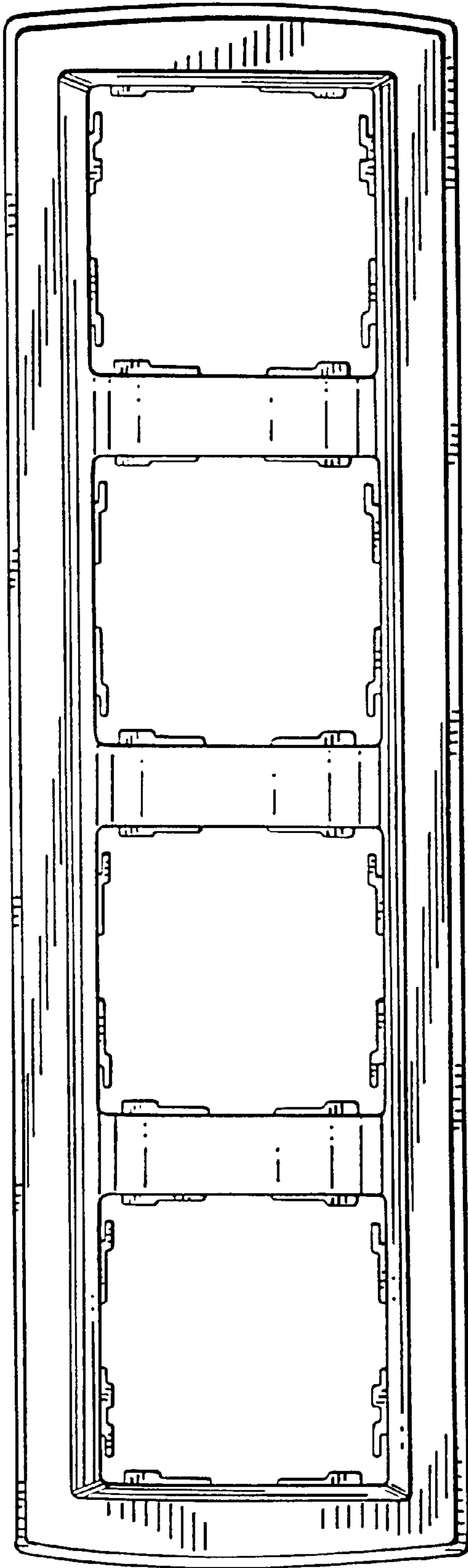


FIG. 22



FIG. 23

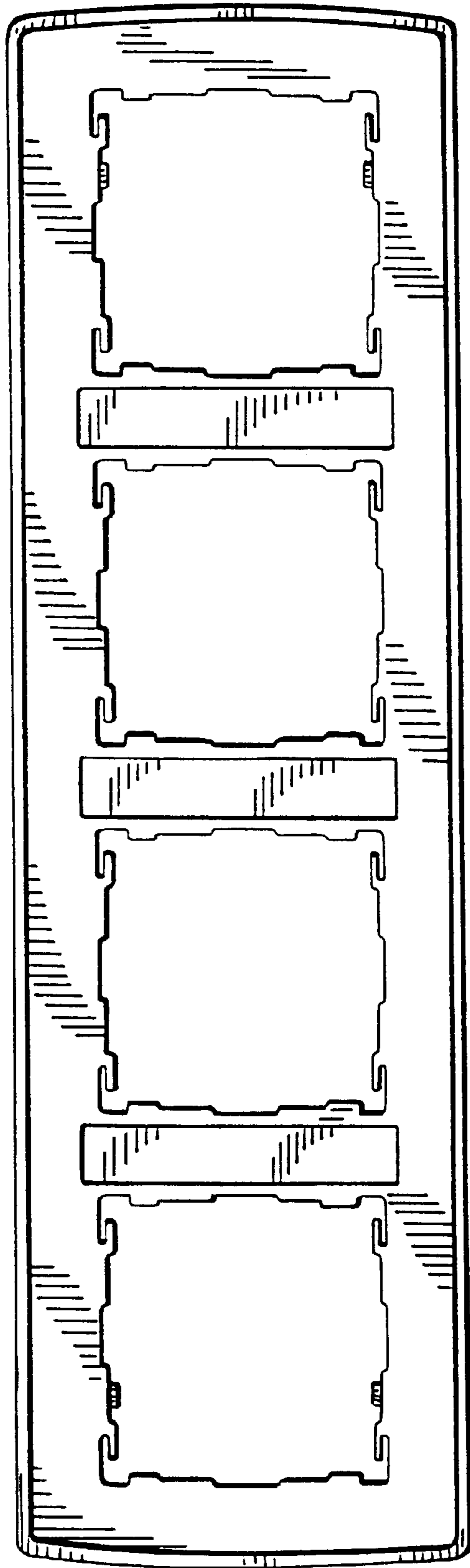


FIG. 24

