



US00D461113S

(12) **United States Design Patent**
Aubert Capella

(10) **Patent No.: US D461,113 S**

(45) **Date of Patent: ** Aug. 6, 2002**

(54) **SWITCH PLATE**

(75) **Inventor: Joaquin Aubert Capella, Barcelona (ES)**

(73) **Assignee: Simon, S.A., Barcelona (ES)**

(**) **Term: 14 Years**

(21) **Appl. No.: 29/152,464**

(22) **Filed: Dec. 19, 2001**

Related U.S. Application Data

(62) **Division of application No. 29/139,867, filed on Apr. 6, 2001.**

(30) **Foreign Application Priority Data**

Oct. 6, 2000 (ES) 149 529

(51) **LOC (7) Cl. 11-05**

(52) **U.S. Cl. D8/353**

(58) **Field of Search D8/350-353; D13/177;
220/241; 174/66; 16/402; D6/300, 303,
309, 301**

(56) **References Cited**

U.S. PATENT DOCUMENTS

- 3,689,868 A * 9/1972 Snyder 174/66
- 5,073,681 A * 12/1991 Hubben et al. 174/66
- D340,718 S * 10/1993 Leger et al. D8/353
- D379,453 S * 5/1997 Fabrizi D13/177
- D430,478 S * 9/2000 De brey et al. D8/353
- 6,281,440 B1 * 8/2001 Baldwin et al. 220/241

* cited by examiner

Primary Examiner—B. J. Bullock

(74) *Attorney, Agent, or Firm*—Michael J. Striker

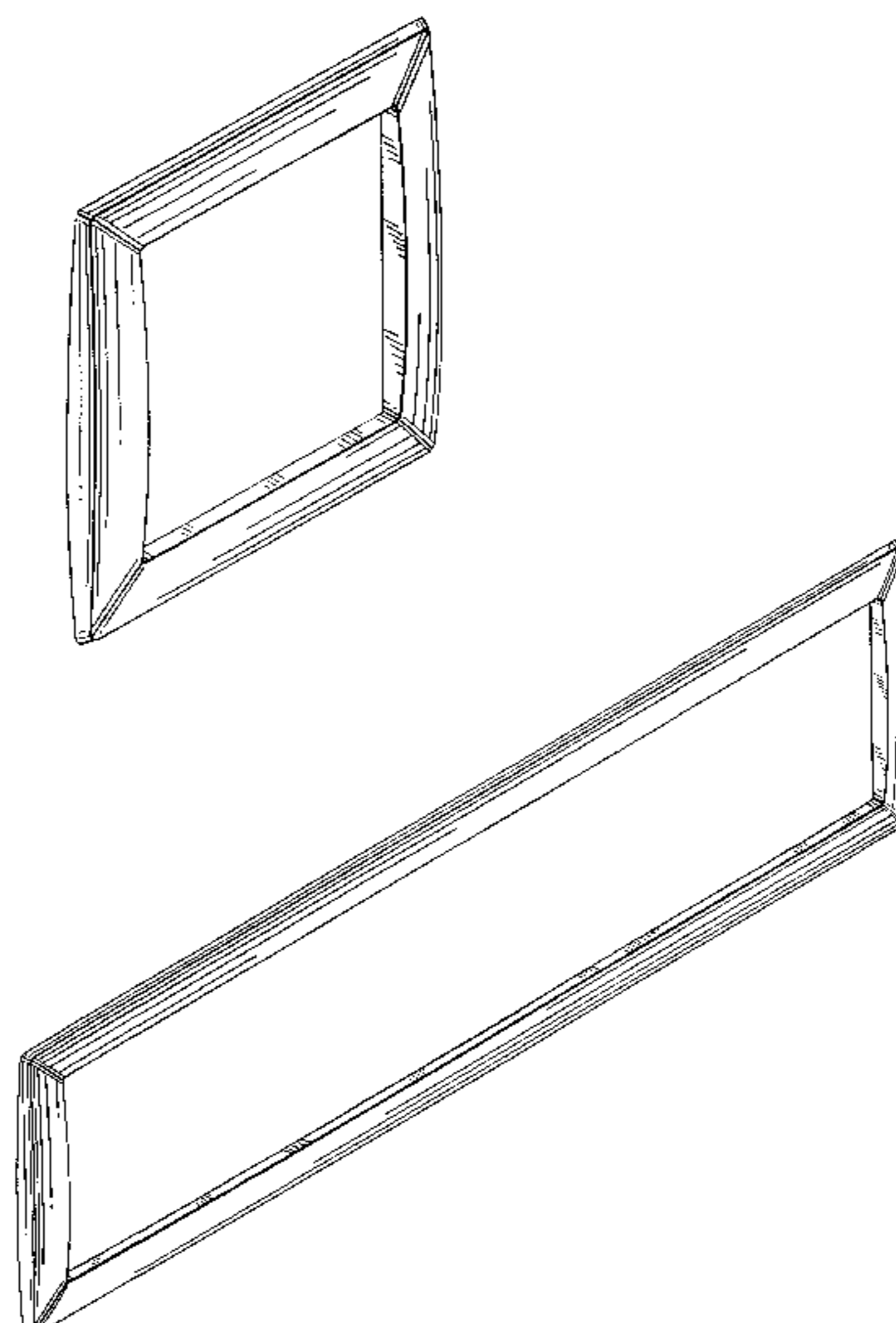
(57) **CLAIM**

The ornamental design for a switch plate, as shown and described.

DESCRIPTION

FIG. 1 is a top front and left side perspective view of an outer frame for a single switch plate;
 FIG. 2 is a front view thereof;
 FIG. 3 is a top plan view thereof;
 FIG. 4 is a right side view thereof which is a mirror image of the left side thereof;
 FIG. 5 is a rear view thereof;
 FIG. 6 is a bottom plan view thereof;
 FIG. 7 is a top front and left side perspective view of an outer frame for a double switch plate;
 FIG. 8 is a front view thereof;
 FIG. 9 is a top plan view thereof;
 FIG. 10 is a right side view thereof which is a mirror image of the left side thereof;
 FIG. 11 is a rear view thereof;
 FIG. 12 is a bottom plan view thereof;
 FIG. 13 is a top front and left side perspective view of an outer frame for a triple switch plate;
 FIG. 14 is a front view thereof;
 FIG. 15 is a top plan view thereof;
 FIG. 16 is a right side view thereof which is a mirror image of the left side thereof;
 FIG. 17 is a rear view thereof;
 FIG. 18 is a bottom plan view thereof;
 FIG. 19 is a top front and left side perspective view of an outer frame for a quadruple switch plate;
 FIG. 20 is a front view thereof;
 FIG. 21 is a top plan view thereof;
 FIG. 22 is a right side view thereof which is a mirror image of the left side thereof;
 FIG. 23 is a rear view thereof; and,
 FIG. 24 is a bottom plan view thereof.

1 Claim, 11 Drawing Sheets



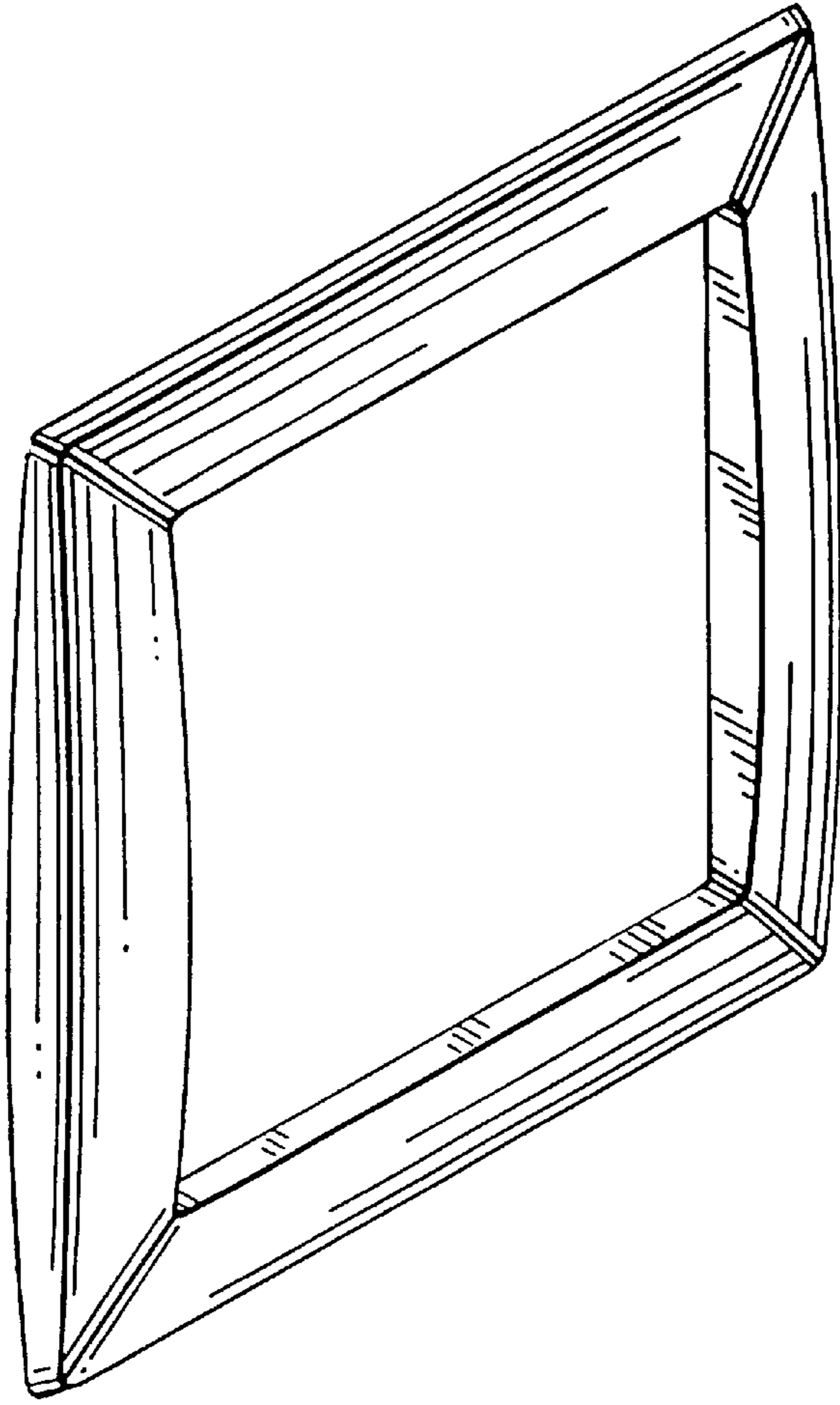


FIG. 1

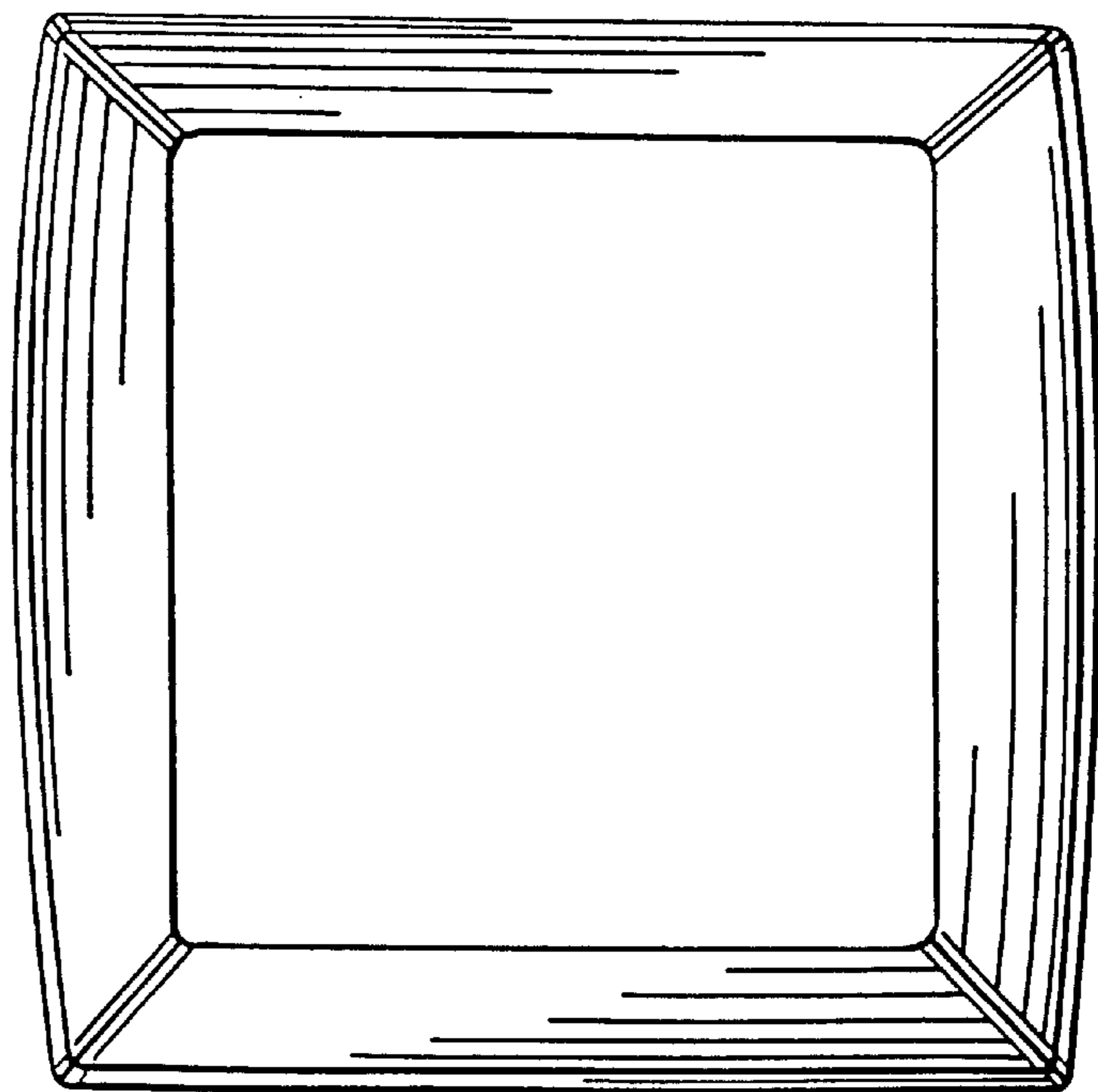


FIG. 2

FIG. 3

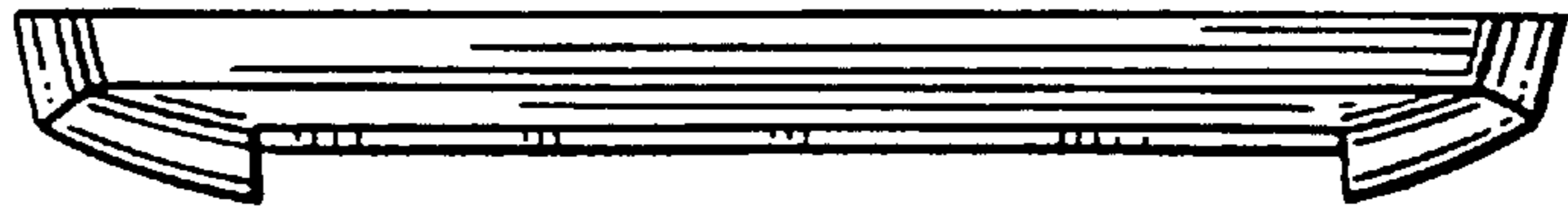


FIG. 4

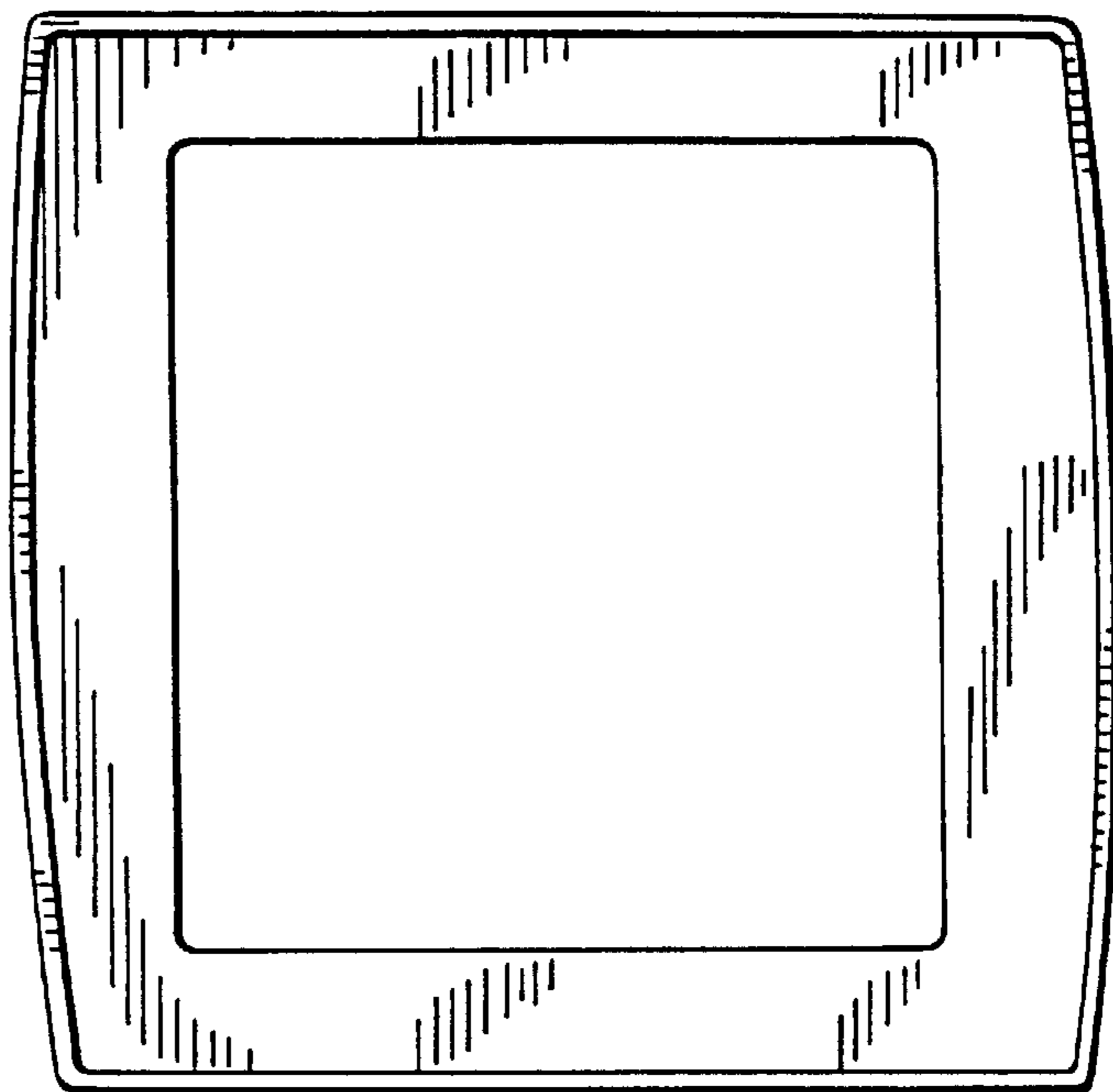


FIG. 5

FIG. 6

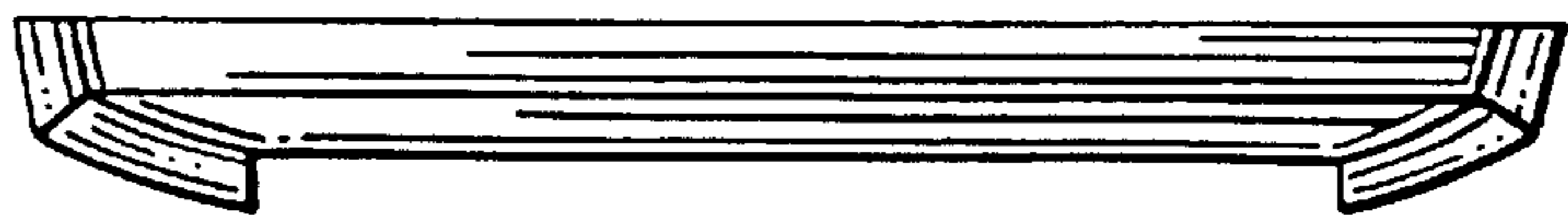


FIG. 7

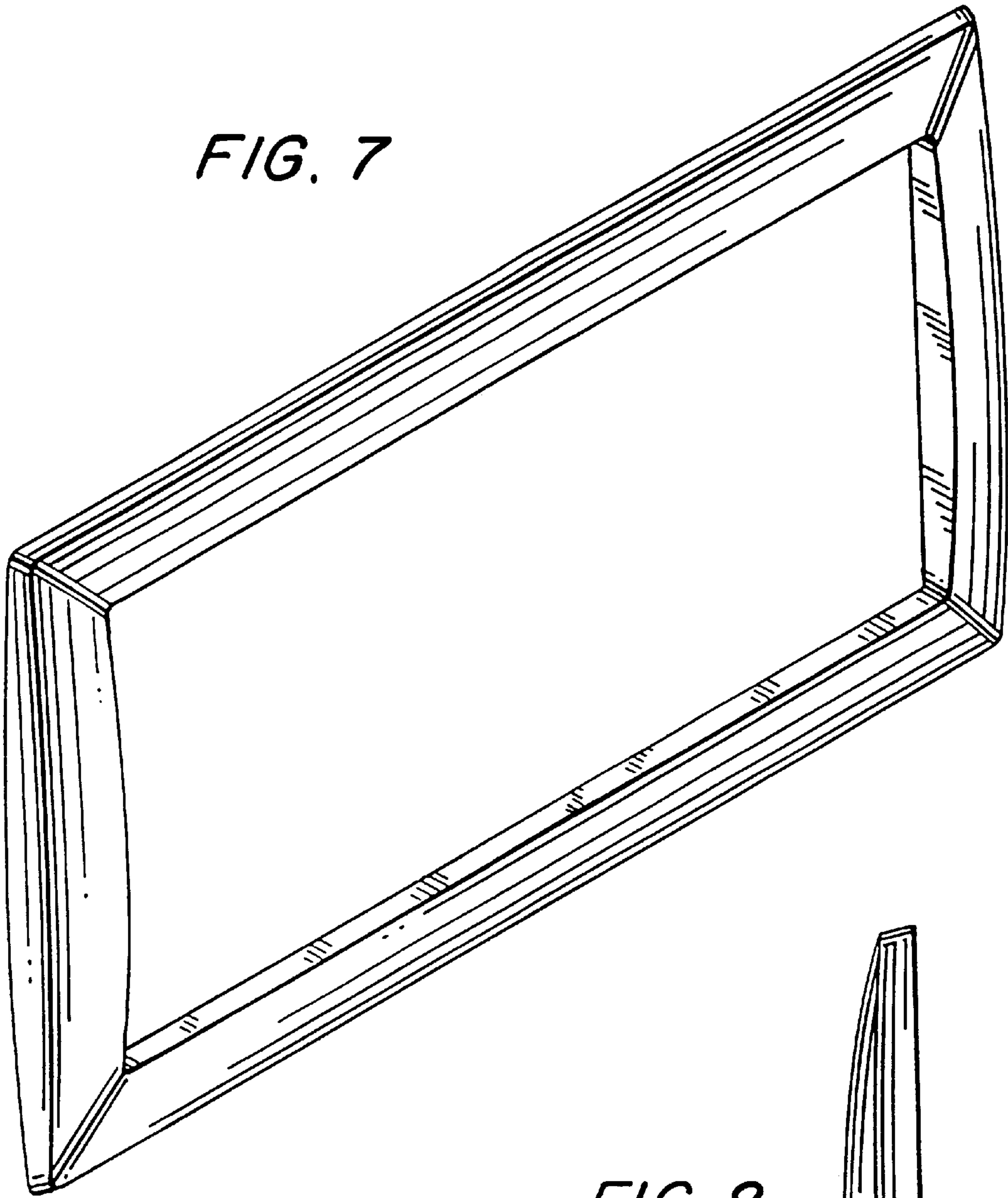


FIG. 8

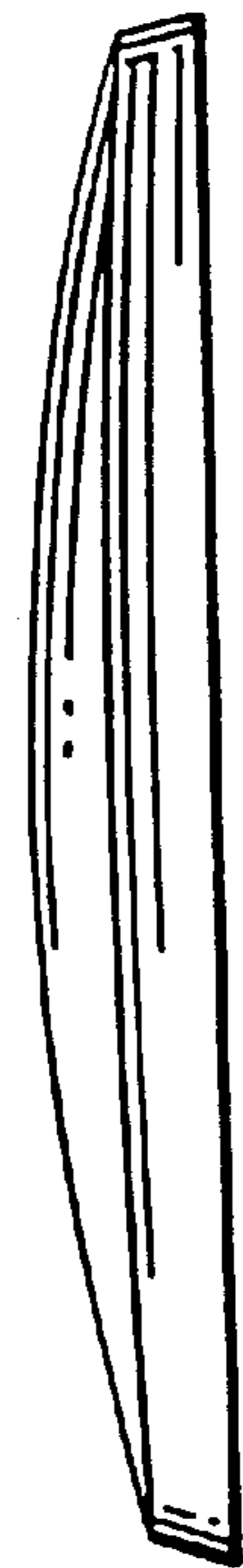


FIG. 9

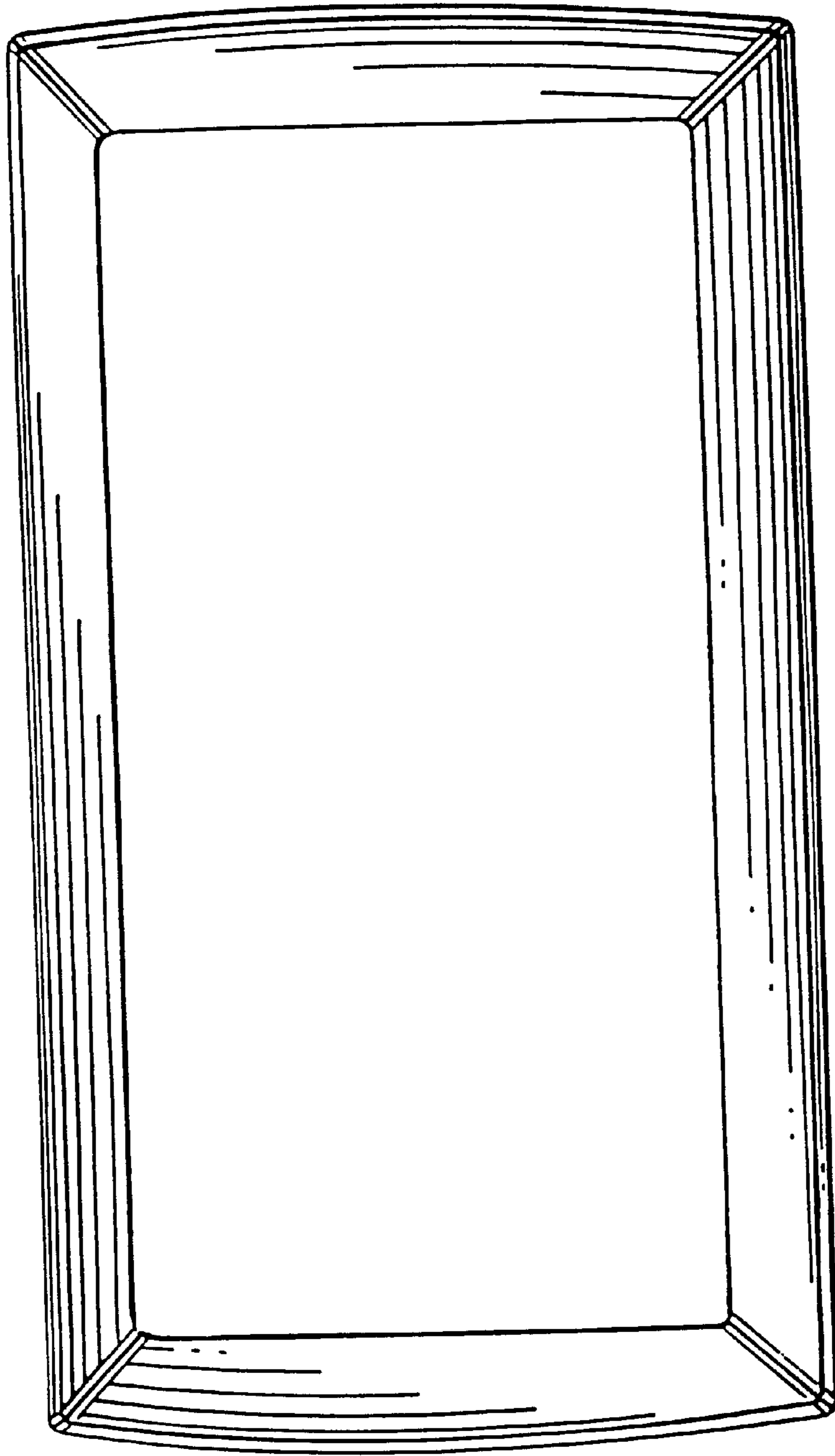


FIG. 10

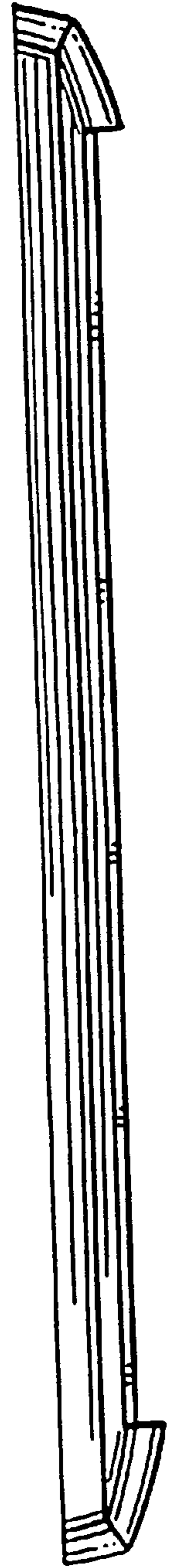


FIG. 11

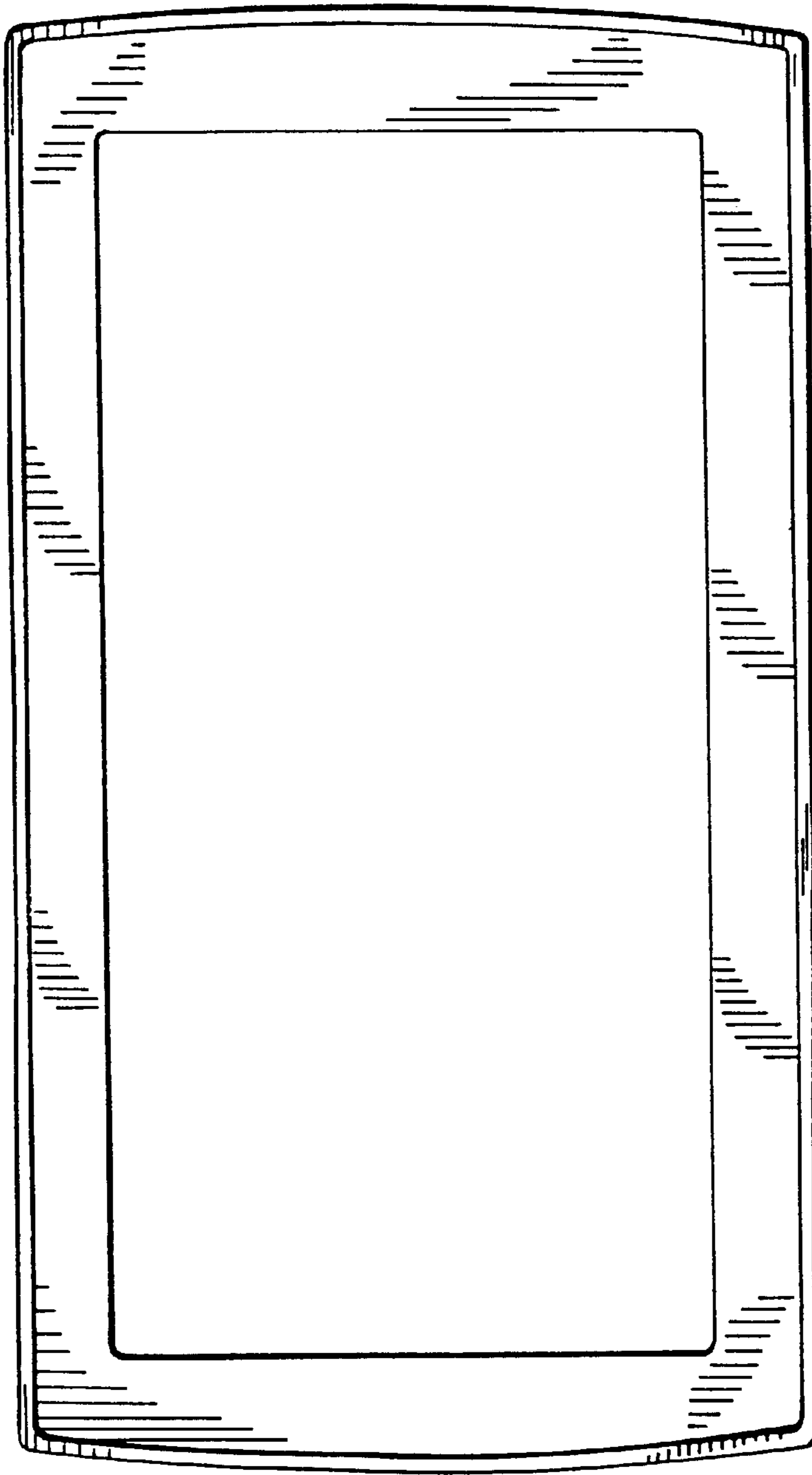
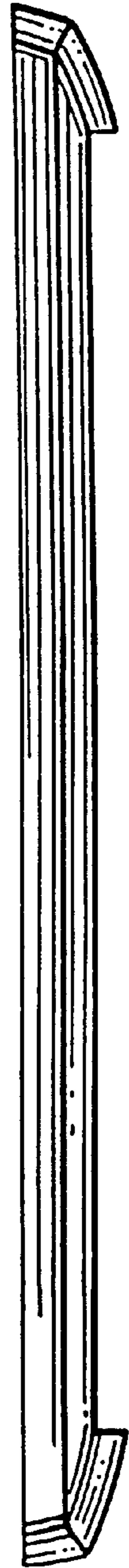


FIG. 12



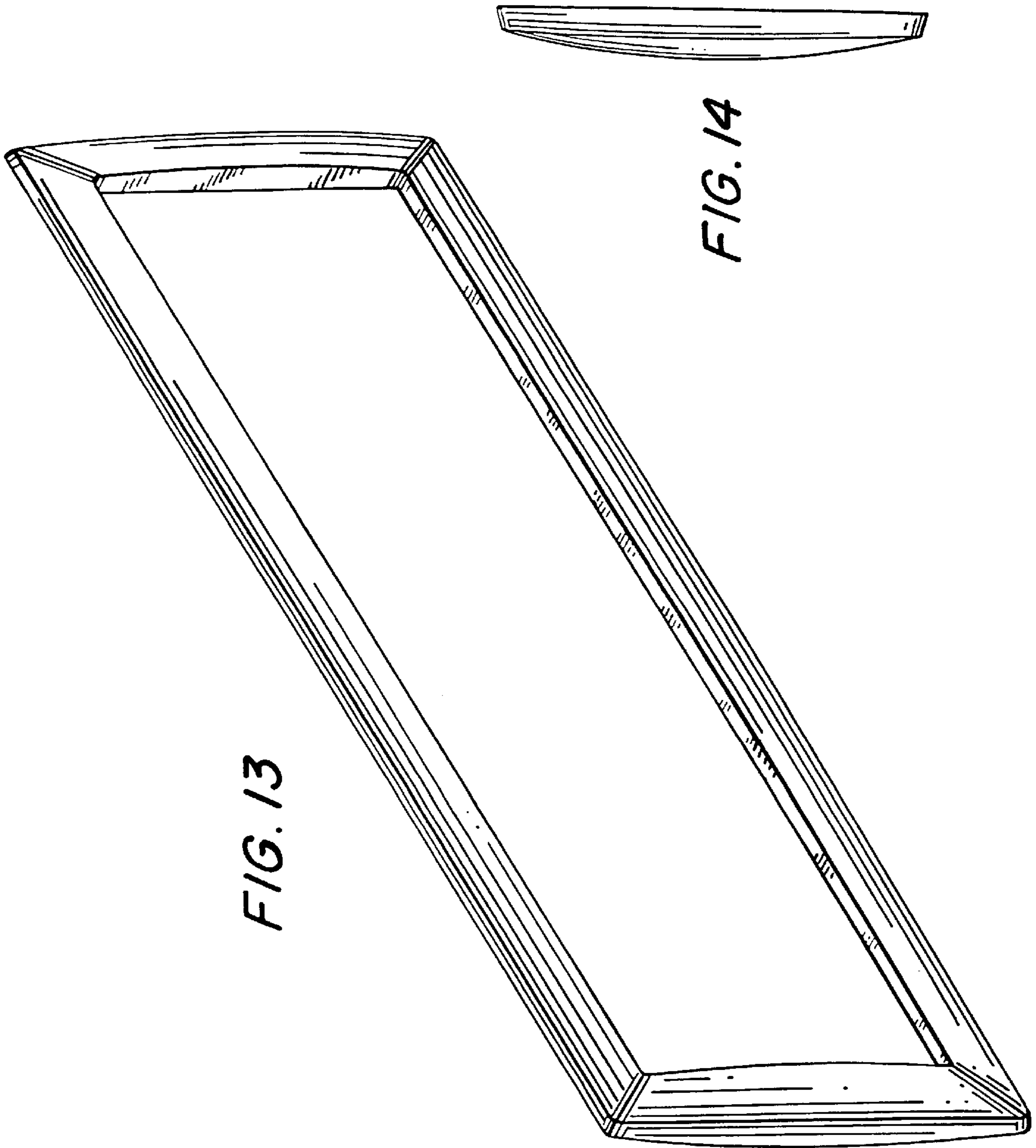


FIG. 13

FIG. 14

FIG. 15

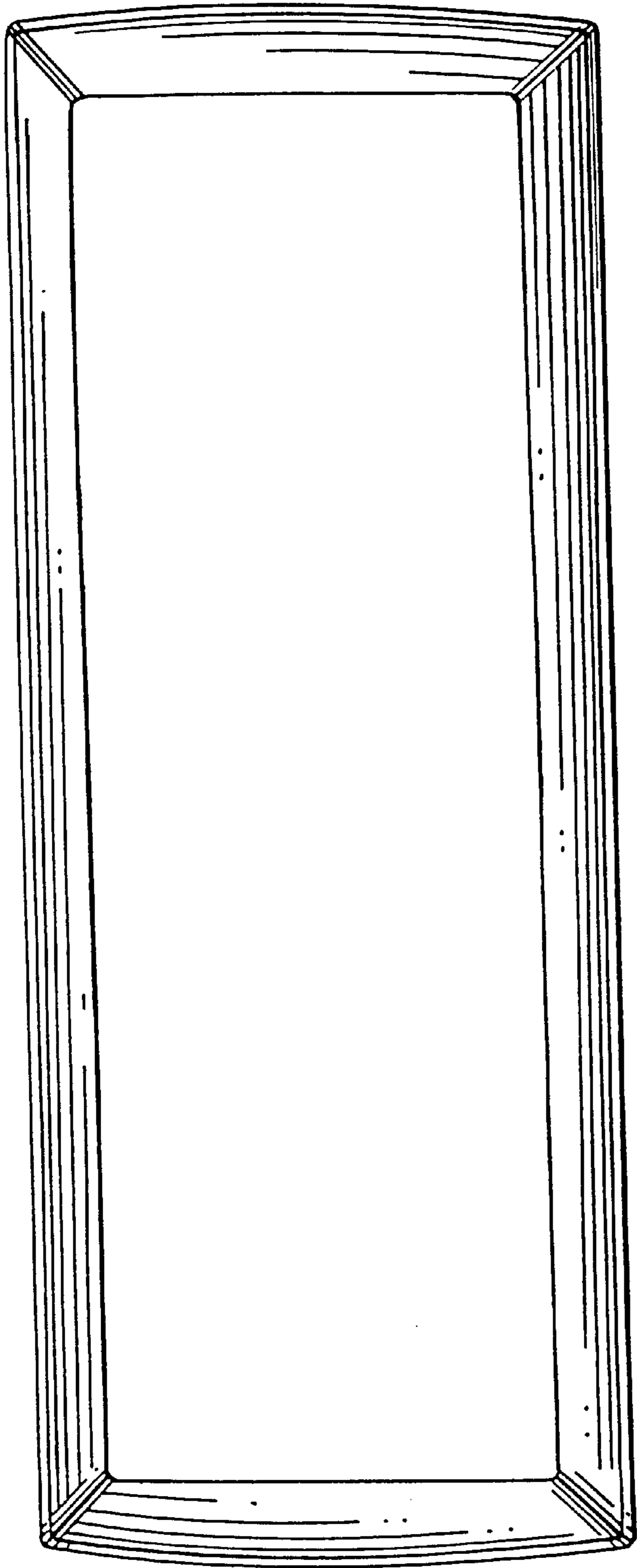


FIG. 16



FIG. 17

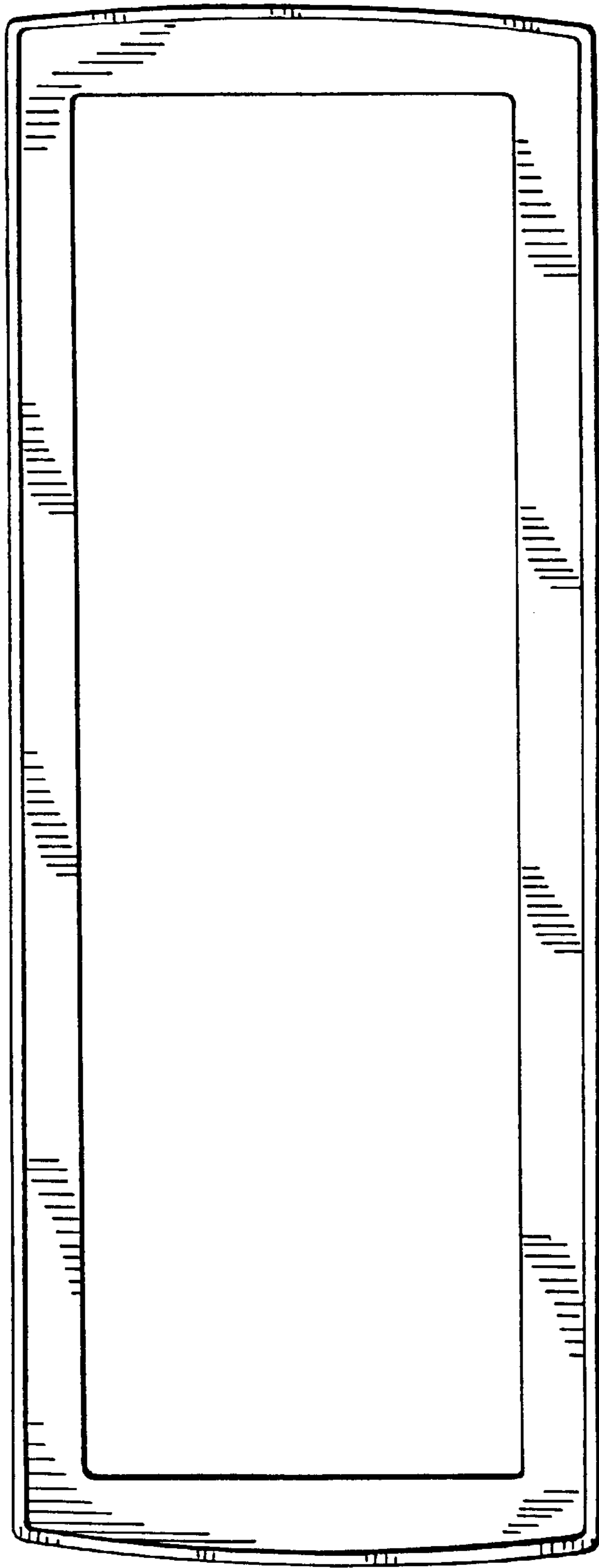


FIG. 18



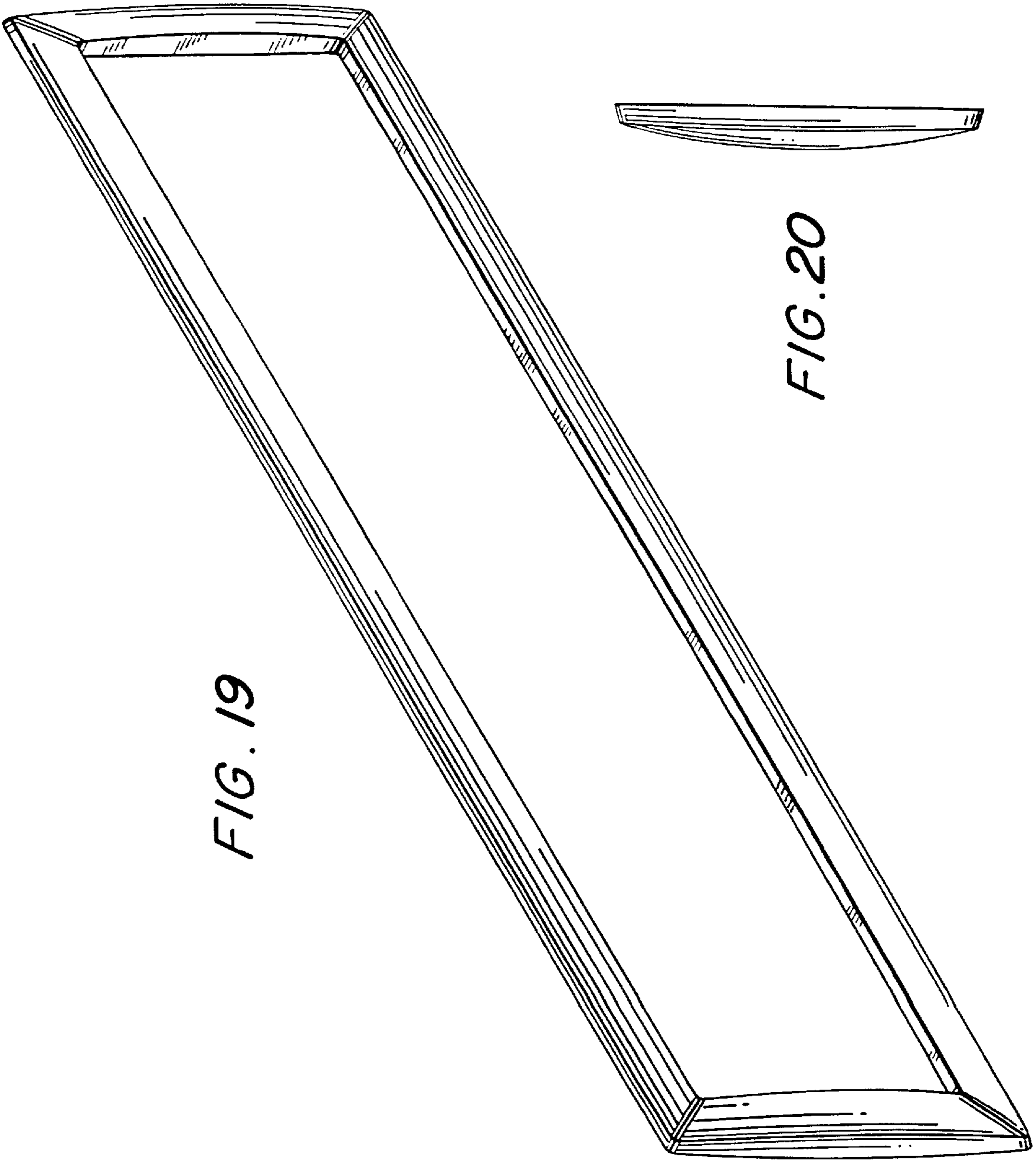


FIG. 19

FIG. 20

FIG. 21

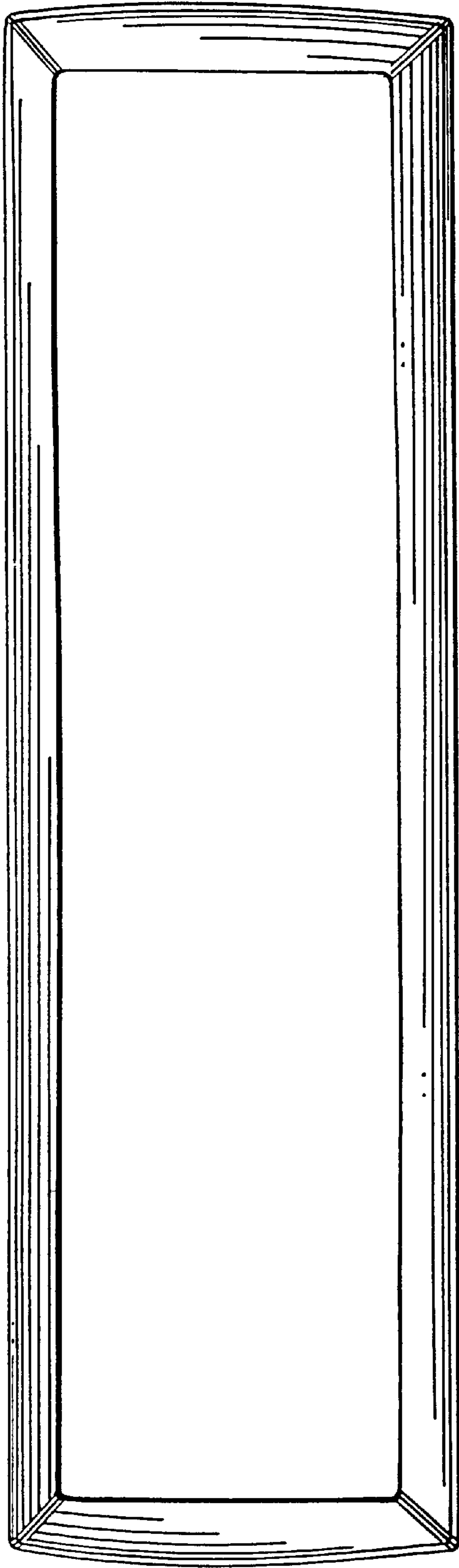


FIG. 22



FIG. 23

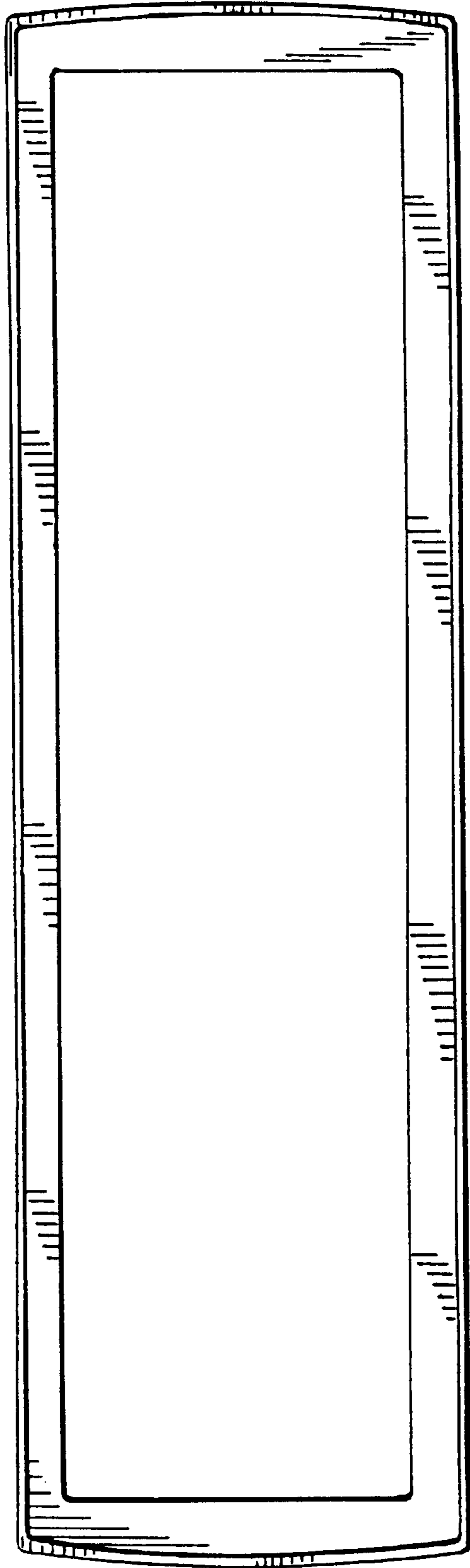


FIG. 24

