



US00D461112S

(12) **United States Design Patent**
Henley

(10) **Patent No.:** **US D461,112 S**

(45) **Date of Patent:** **** Aug. 6, 2002**

(54) **DECORATIVE WOODEN LATCH MECHANISM**

(76) Inventor: **Bobby G. Henley**, 333 Millcreek Rd., Delaware, AR (US) 72835

(**) Term: **14 Years**

(21) Appl. No.: **29/140,863**

(22) Filed: **Apr. 27, 2001**

(51) **LOC (7) Cl.** **08-07**

(52) **U.S. Cl.** **D8/341**

(58) **Field of Search** D8/330, 331, 339, D8/341; 292/137, 138, 145-154

(56) **References Cited**

U.S. PATENT DOCUMENTS

D227,653 S	*	7/1973	Babcock	D8/341
D294,454 S	*	3/1988	Loudenslager	D8/341
D364,330 S	*	11/1995	Virzi	D8/341
5,868,015 A	*	2/1999	Baker	292/148 X
D452,641 S	*	1/2002	Portenier	D8/341

* cited by examiner

Primary Examiner—Brian N. Vinson
(74) *Attorney, Agent, or Firm*—Dennis B. Haase

(57) **CLAIM**

The ornamental design for a decorative wooden latch mechanism, as shown.

DESCRIPTION

FIG. 1 is a top, front, and left side perspective view of a decorative wooden latch mechanism showing my new design;

FIG. 2 is a left side elevational view thereof;

FIG. 3 is a front elevational view thereof;

FIG. 4 is a bottom plan view thereof;

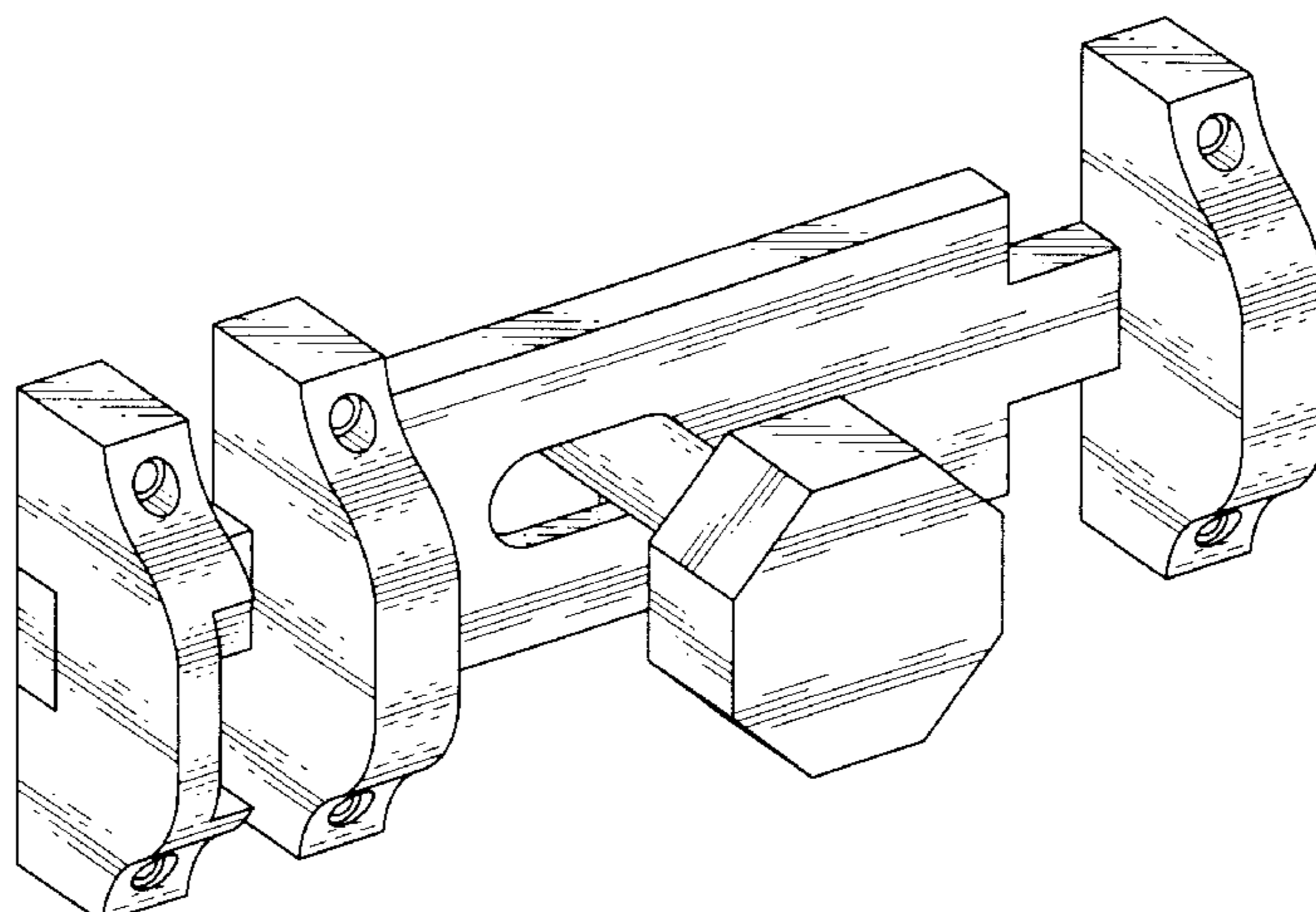
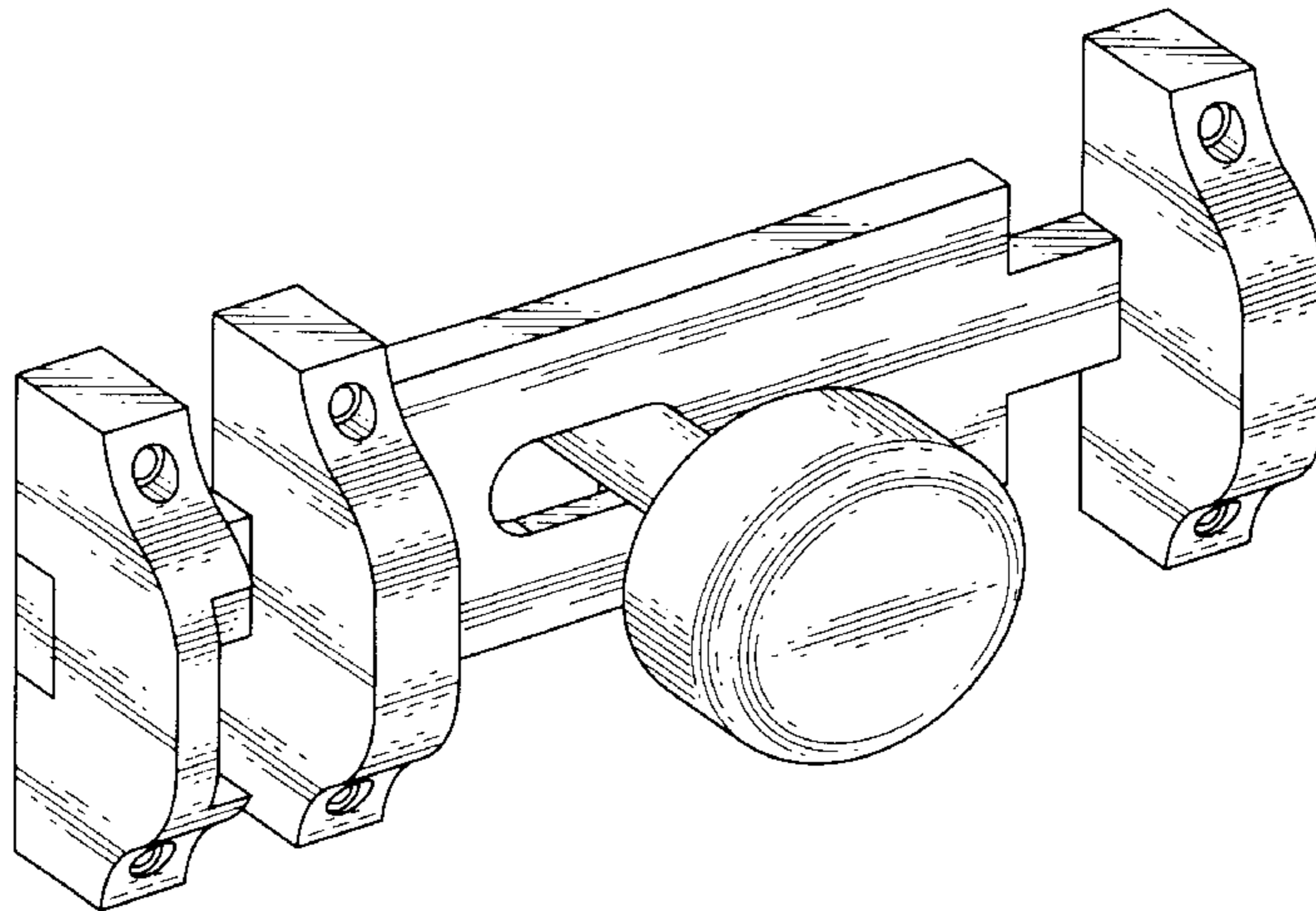
FIG. 5 is a top, front, and left side perspective view of a second embodiment of a decorative wooden latch mechanism showing my new design;

FIG. 6 is a left side elevational view thereof;

FIG. 7 is a front elevational view thereof; and,

FIG. 8 is a bottom plan view thereof.

1 Claim, 2 Drawing Sheets



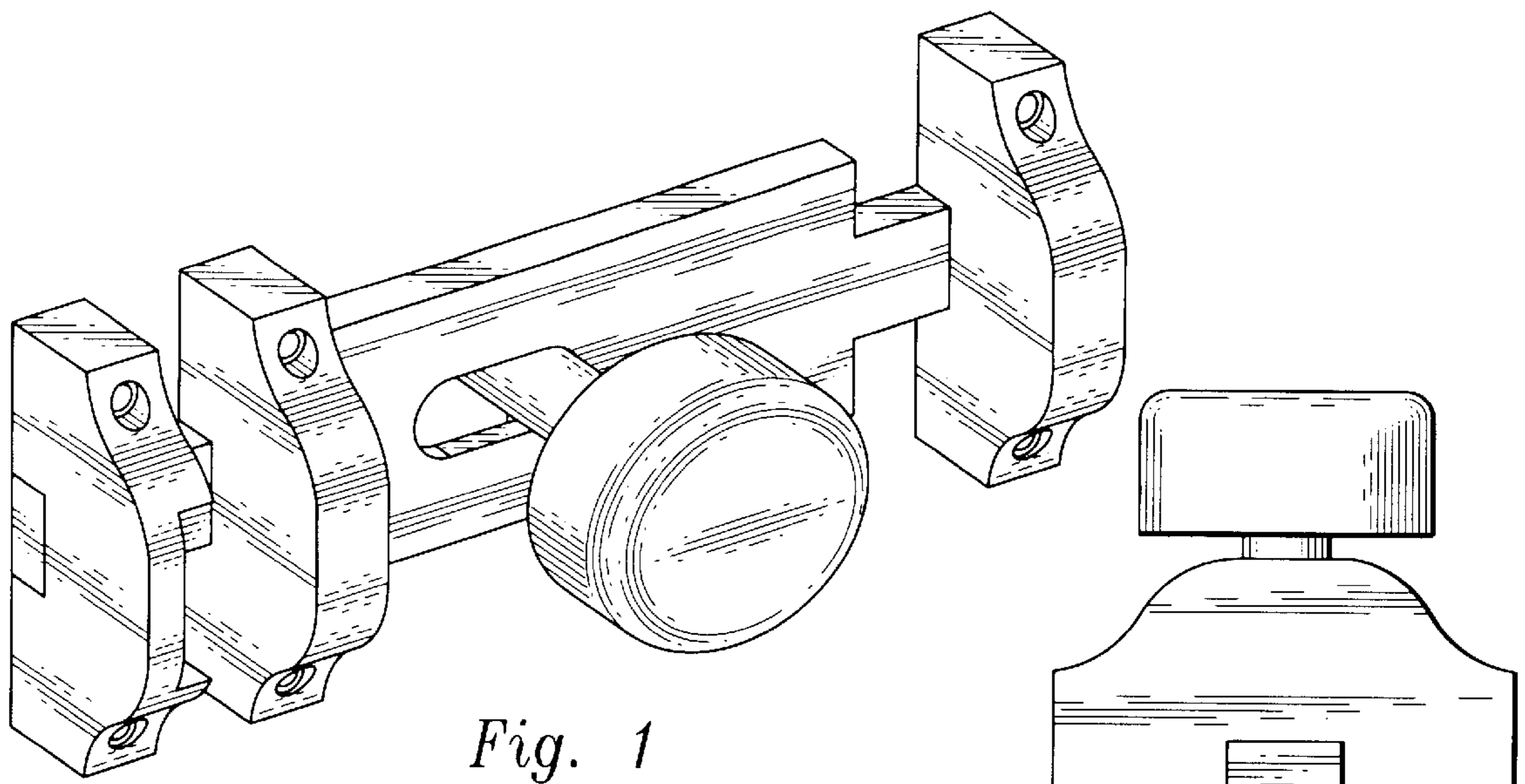


Fig. 1

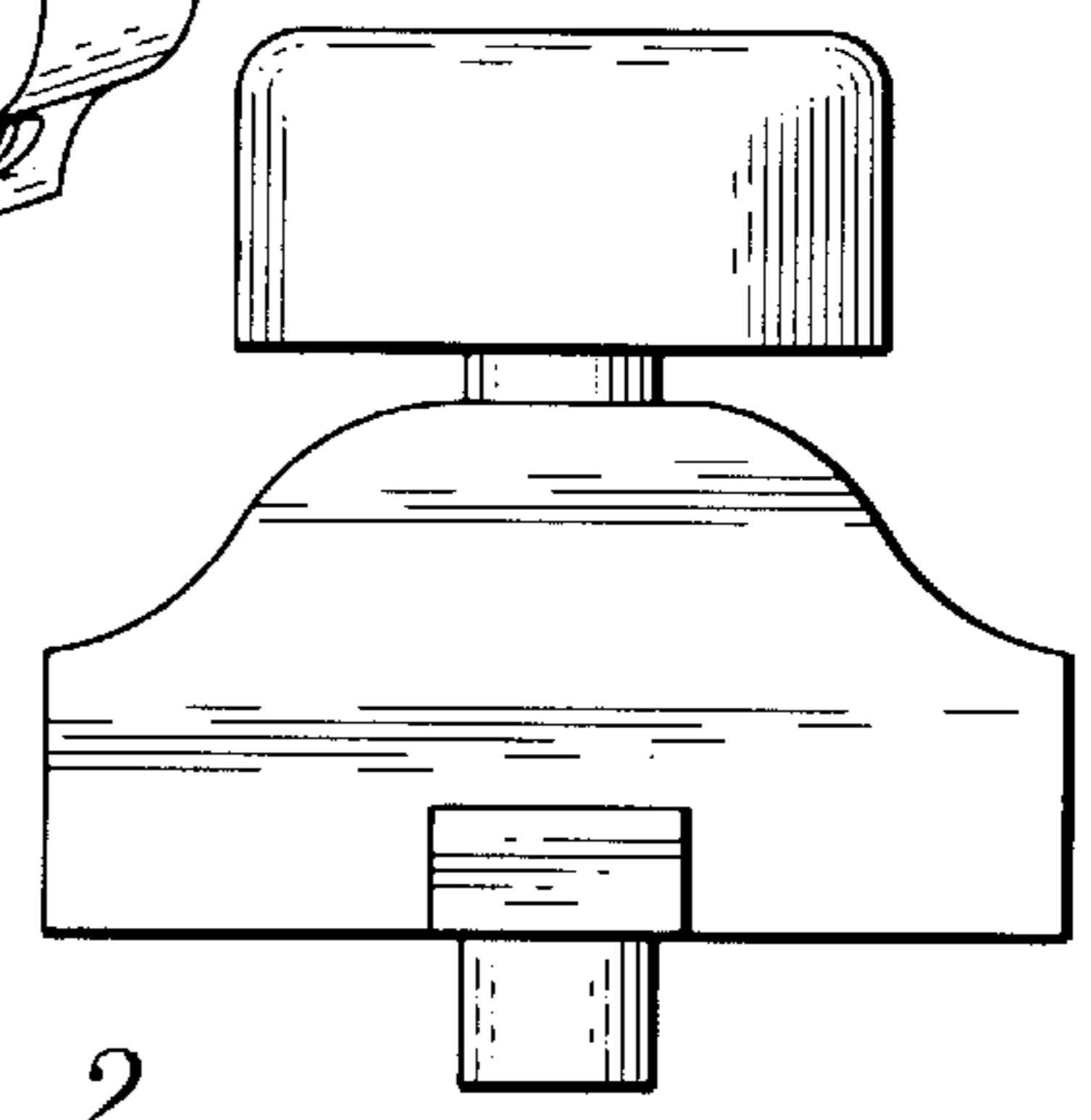


Fig. 2

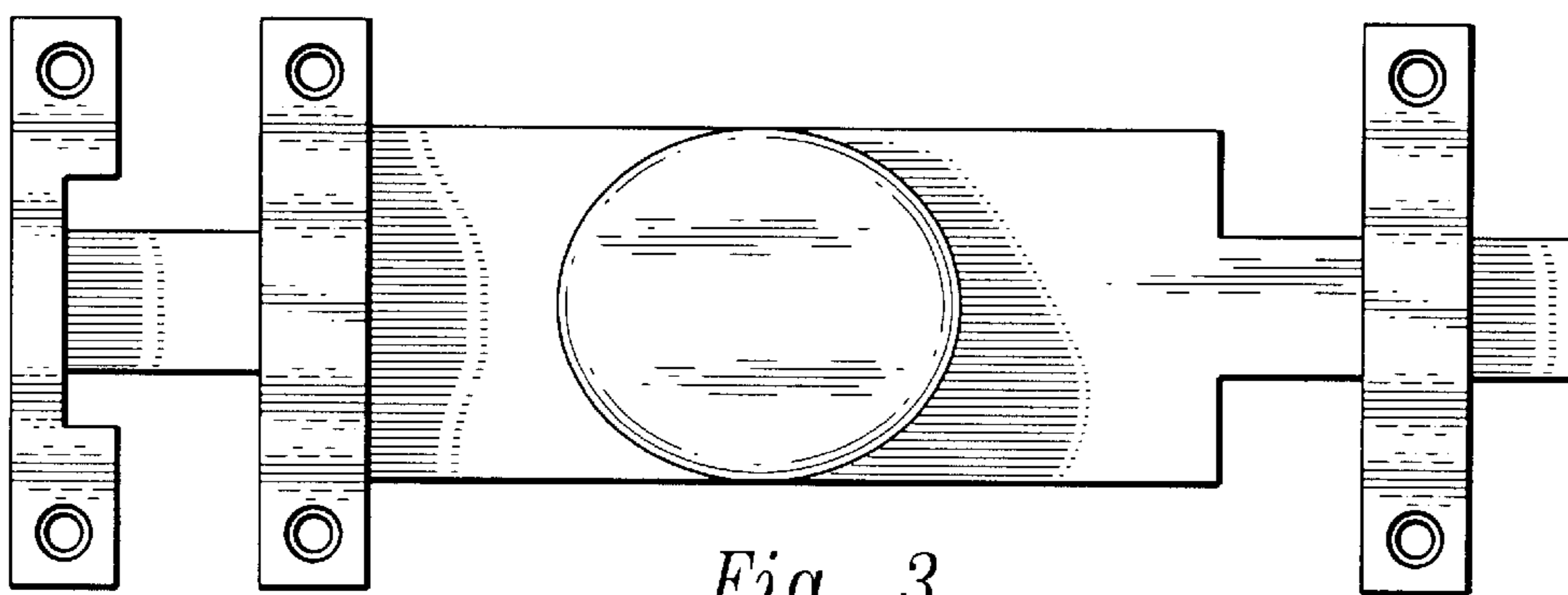


Fig. 3

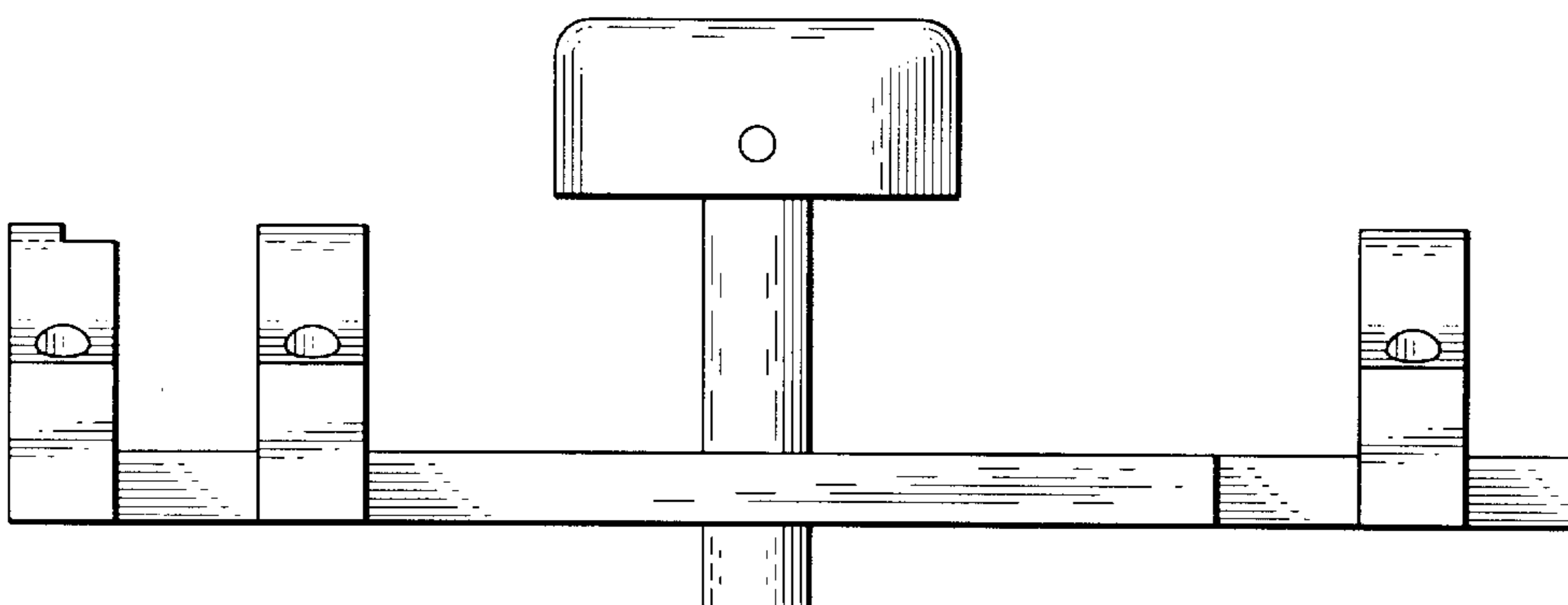


Fig. 4

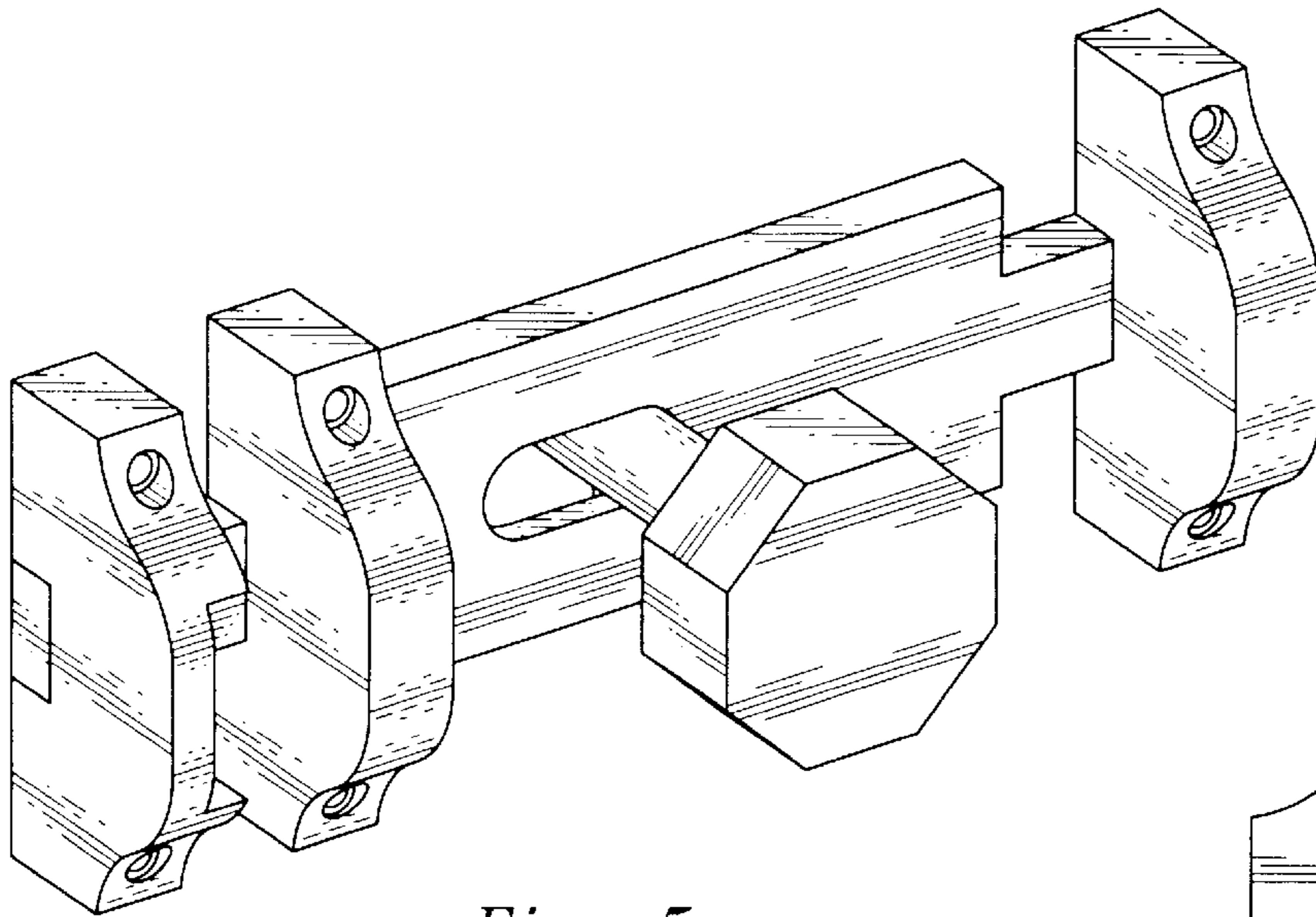


Fig. 5

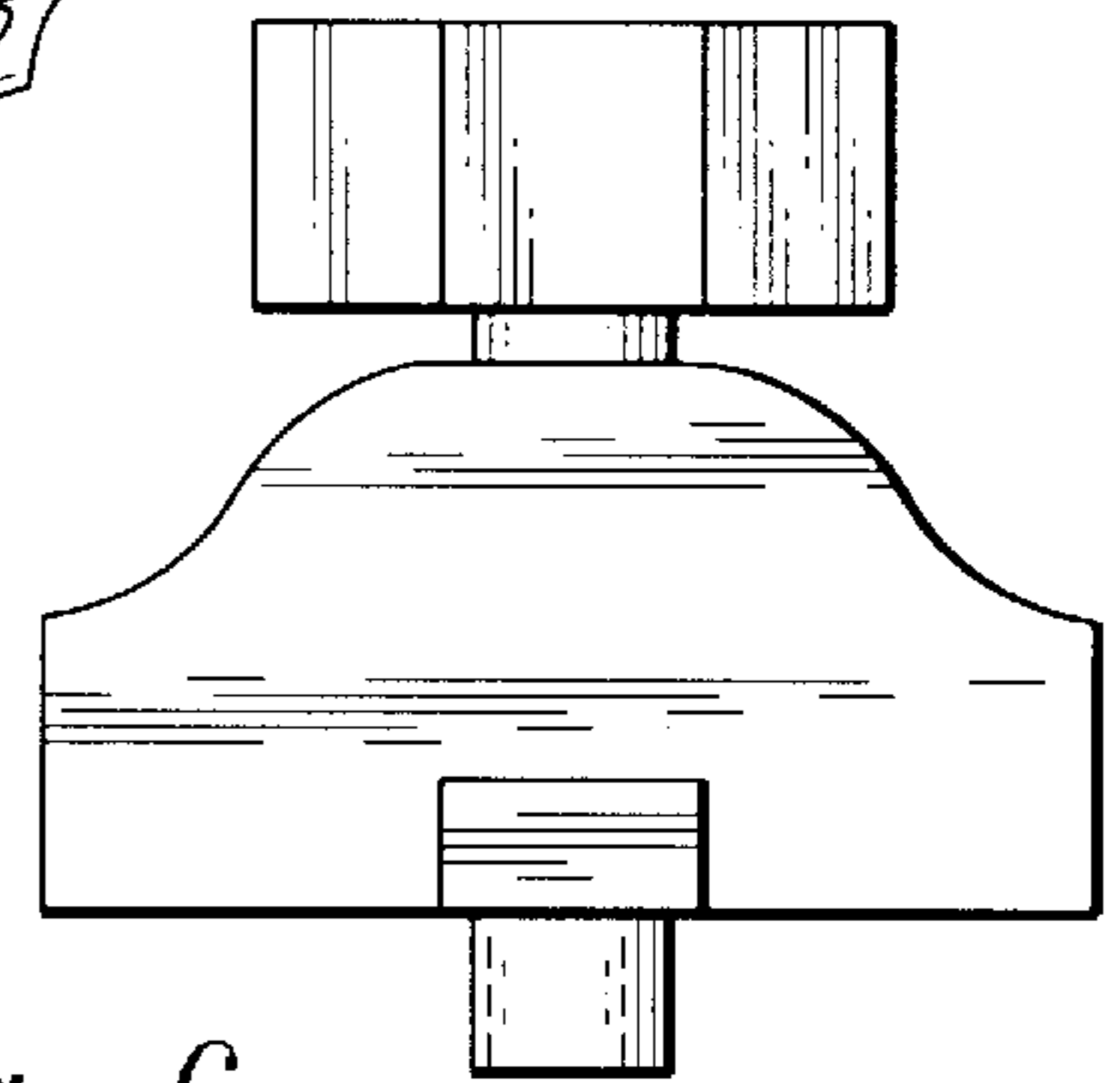


Fig. 6

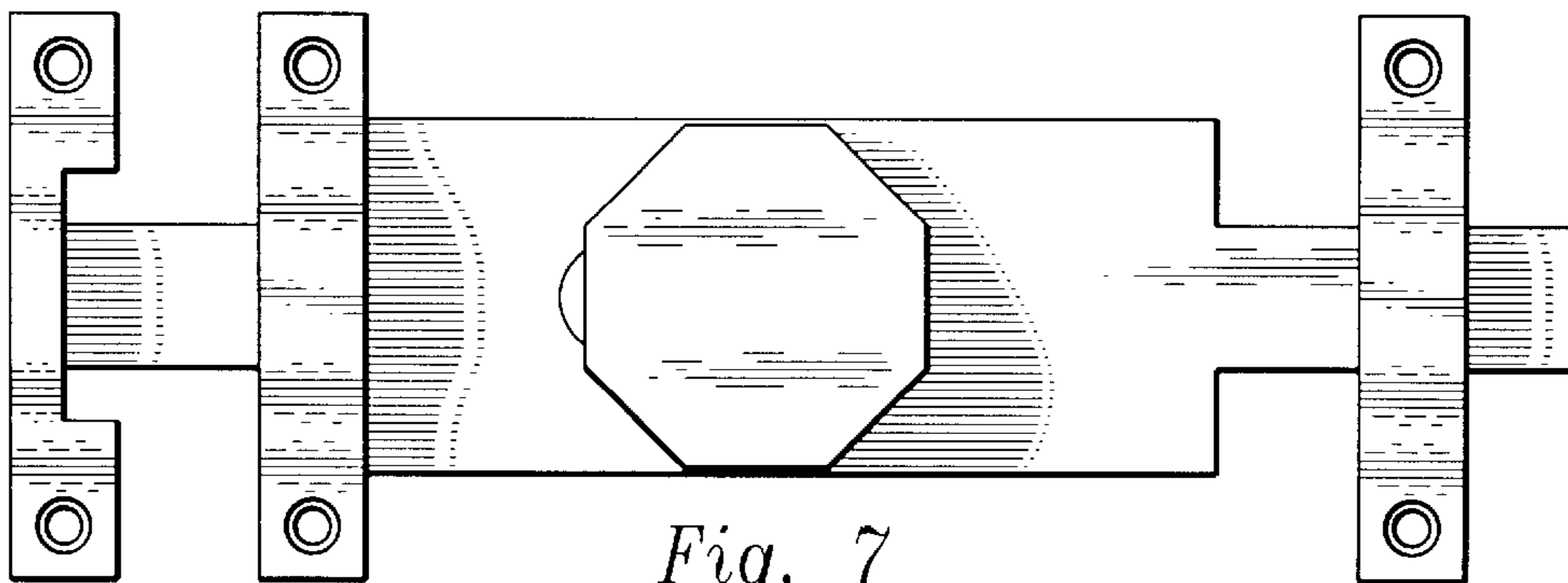


Fig. 7

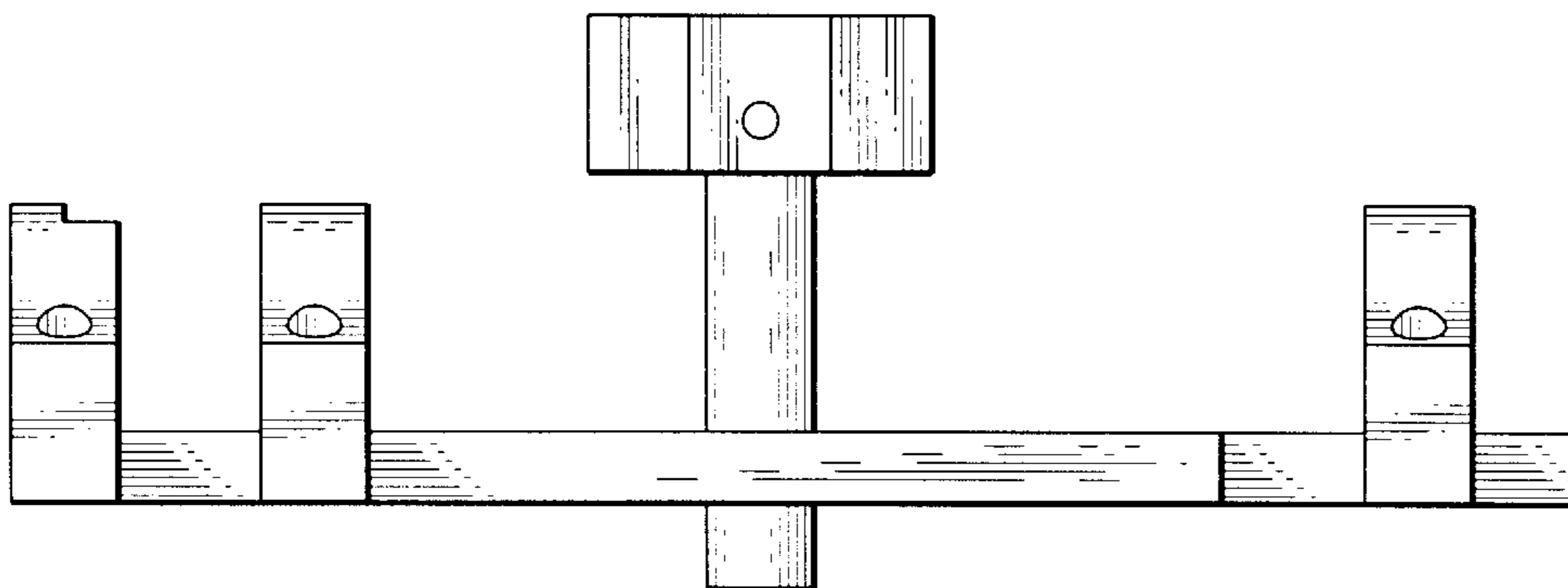


Fig. 8