



US00D461110S

(12) **United States Design Patent**
Izumisawa

(10) **Patent No.:** **US D461,110 S**

(45) **Date of Patent:** **** Aug. 6, 2002**

(54) **PORTABLE AIR IMPACT WRENCH**

(75) Inventor: **Nobuyuki Izumisawa, Tokyo (JP)**

(73) Assignee: **Kabushiki Kaisha Shinano Seisakusho, Tokyo (JP)**

(**) Term: **14 Years**

(21) Appl. No.: **29/147,411**

(22) Filed: **Aug. 28, 2001**

(30) **Foreign Application Priority Data**

Jun. 11, 2001 (JP) 2001-016918

(51) **LOC (7) Cl.** **08-05**

(52) **U.S. Cl.** **D8/68**

(58) **Field of Search** D8/49, 61, 62, D8/63, 64, 65, 66, 67, 68, 69, 70; 16/430; 30/388; 81/52, 54, 55, 57.11, 57.13, 57.14, 57.33, 57.42, 73, 177.1, 177.8, 177.85, 409, 429, 436, 463, 464, 467, 469, 470, 900, 901, DIG. 12; 173/13, 15, 19, 47, 48, 81, 93, 93.5, 93.6, 94, 104, 109, 168, 169, 170, 171, 176, 178, 180, 181, 213, 216, 217, 221; 227/2, 8, 10, 66, 111, 112, 113, 114, 115, 120, 130, 136; 400/156, 181; 408/20, 120, 122, 124, 125, 234, 241 R, 241 S; 451/344, 354, 357, 358, 359, 456

(56) **References Cited**

U.S. PATENT DOCUMENTS

D339,726 S * 9/1993 Bruno et al. D8/68
D382,184 S * 8/1997 Sung D8/68

D384,562 S * 10/1997 Sung D8/68
D403,564 S * 1/1999 Izumisawa D8/68
D410,181 S * 5/1999 Sung D8/68
D434,297 S * 11/2000 Iritani et al. D8/68
D441,628 S * 5/2001 Bass et al. D8/68
D447,033 S * 8/2001 Izumisawa D8/68

OTHER PUBLICATIONS

Torque controlled impact wrenches, Desoutter Portable pneumatic tools, catalogue 412, p. 11, effective Feb. 1, 1972.*

Impact wrenches, #CP9533-RS, Light assembly air tools, Chicago Pneumatic, p. 23.*

* cited by examiner

Primary Examiner—Doris V. Coles

Assistant Examiner—T. Chase Nelson

(74) *Attorney, Agent, or Firm*—Hogan & Hartson, L.L.P.

(57) **CLAIM**

The ornamental design for a portable air impact wrench, as shown and described.

DESCRIPTION

FIG. 1 is a front elevation view showing my new design; FIG. 2 is a rear elevation view thereof; FIG. 3 is a right side elevation view thereof; FIG. 4 is a left side elevation view thereof; FIG. 5 is a top plan view thereof; FIG. 6 is a bottom plan view thereof; FIG. 7 is a perspective view from the upper front thereof; and, FIG. 8 is a perspective view from the lower rear thereof.

1 Claim, 3 Drawing Sheets

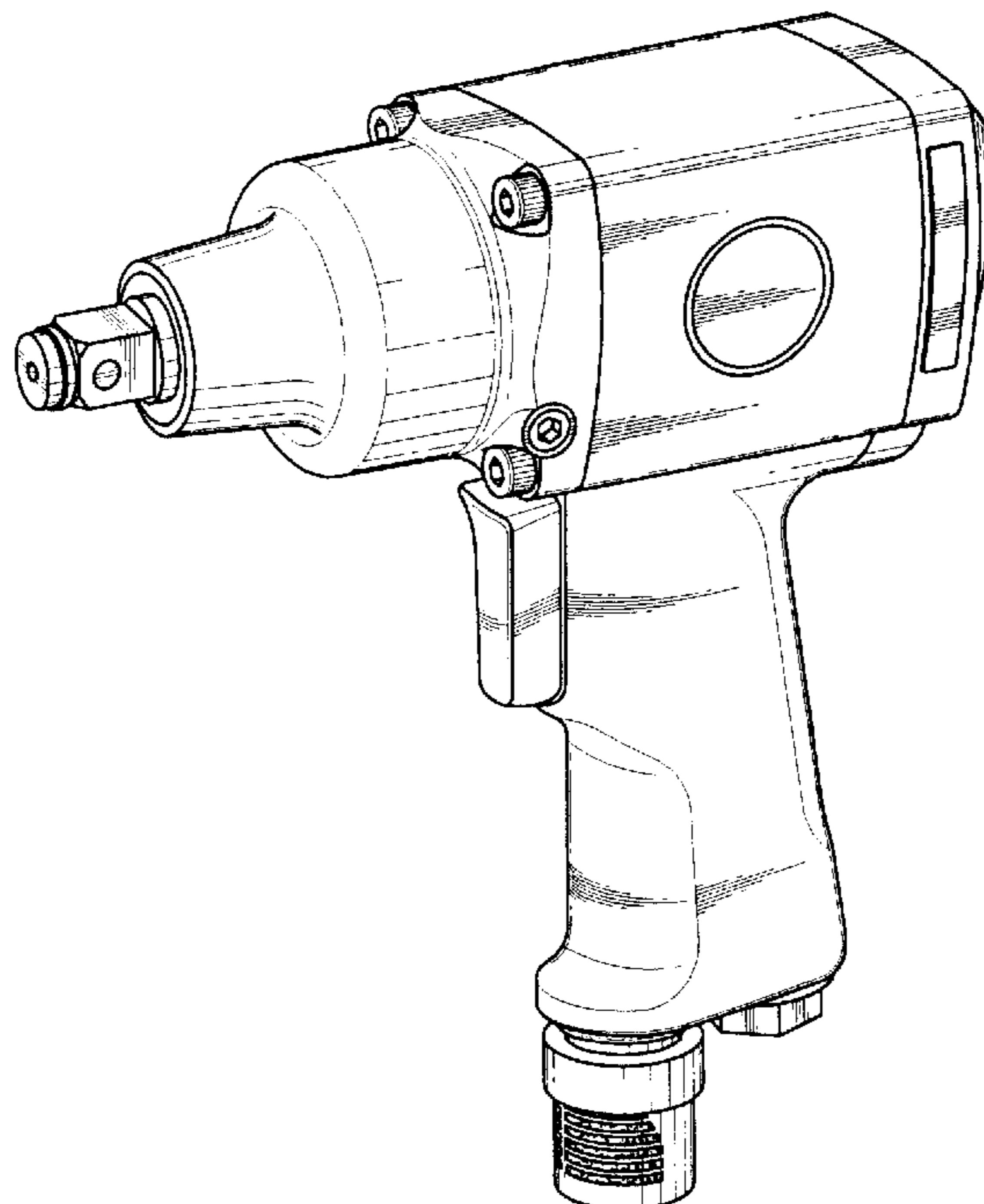


FIG. 1

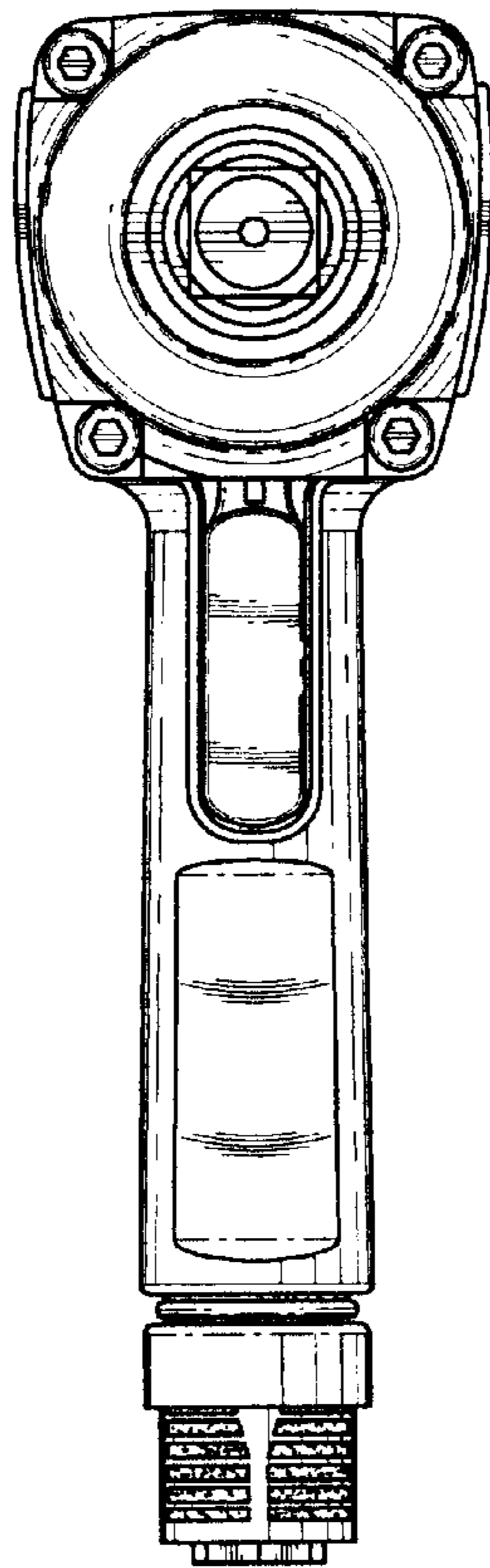


FIG. 3

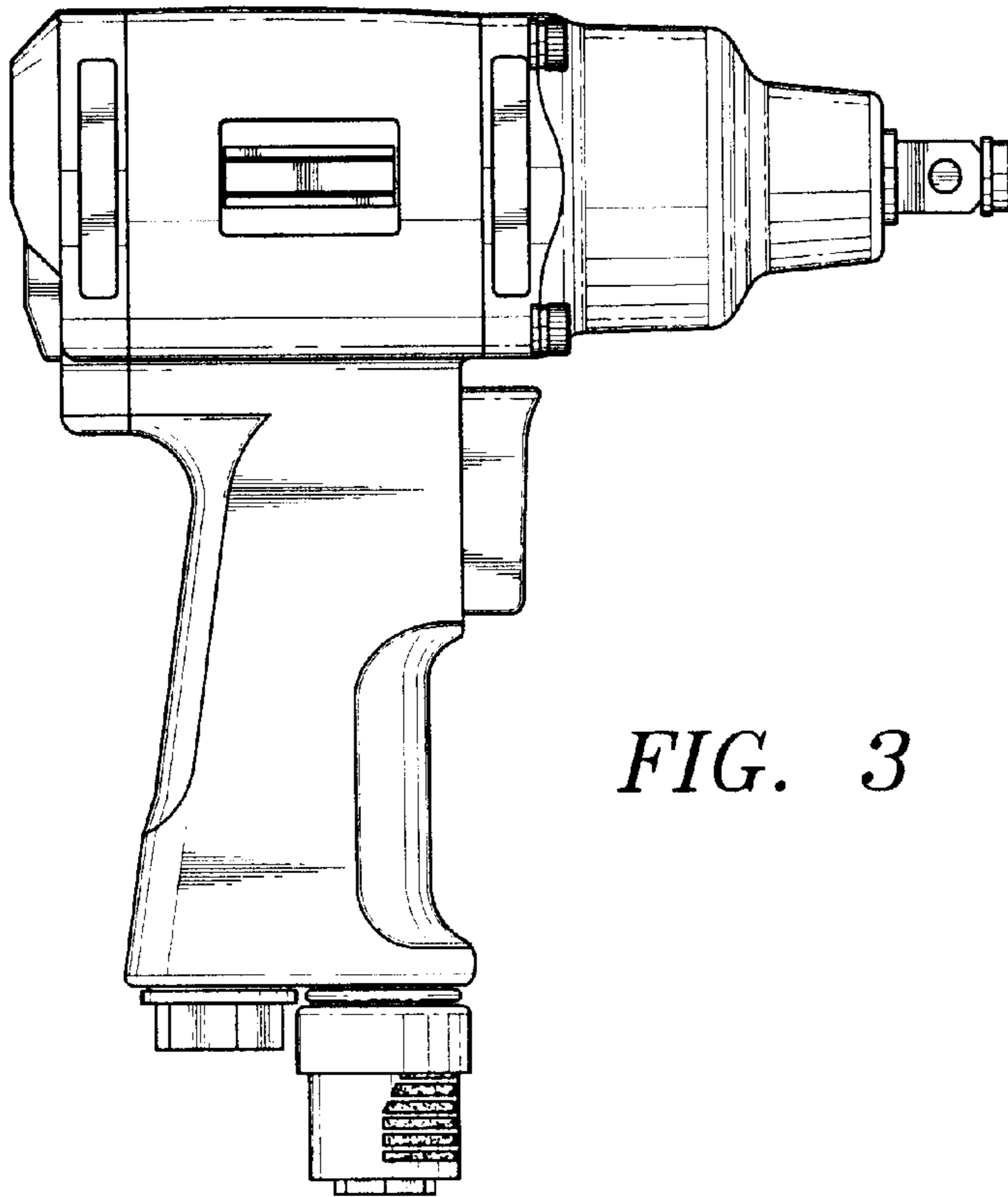
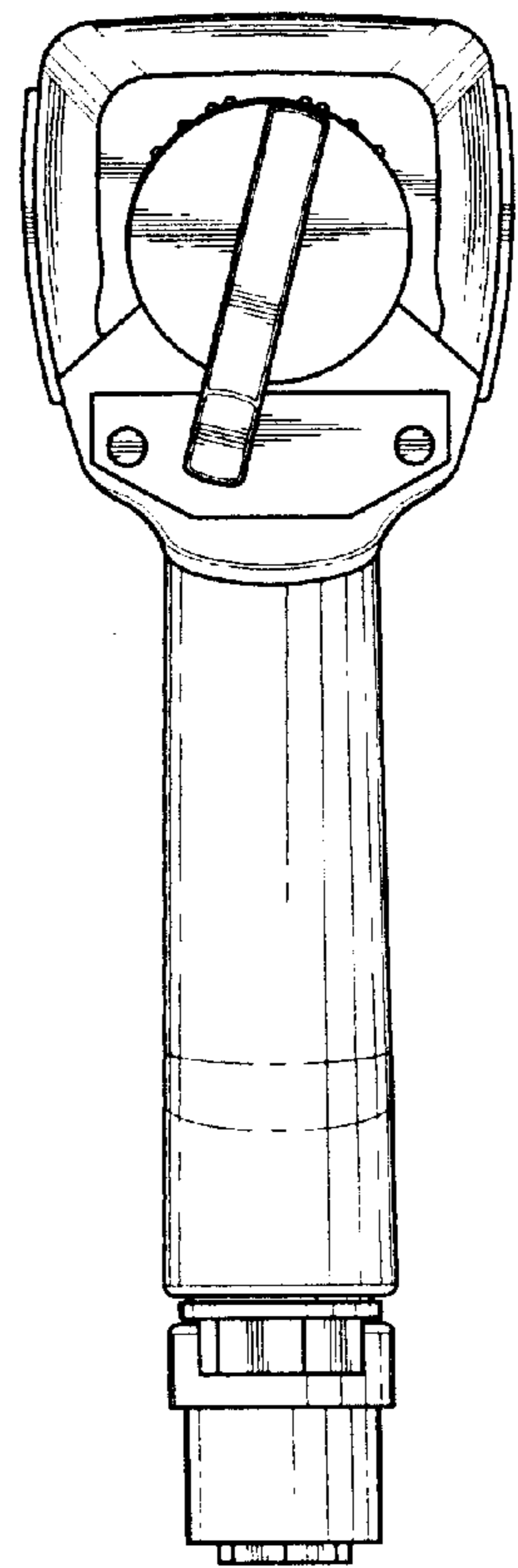


FIG. 2



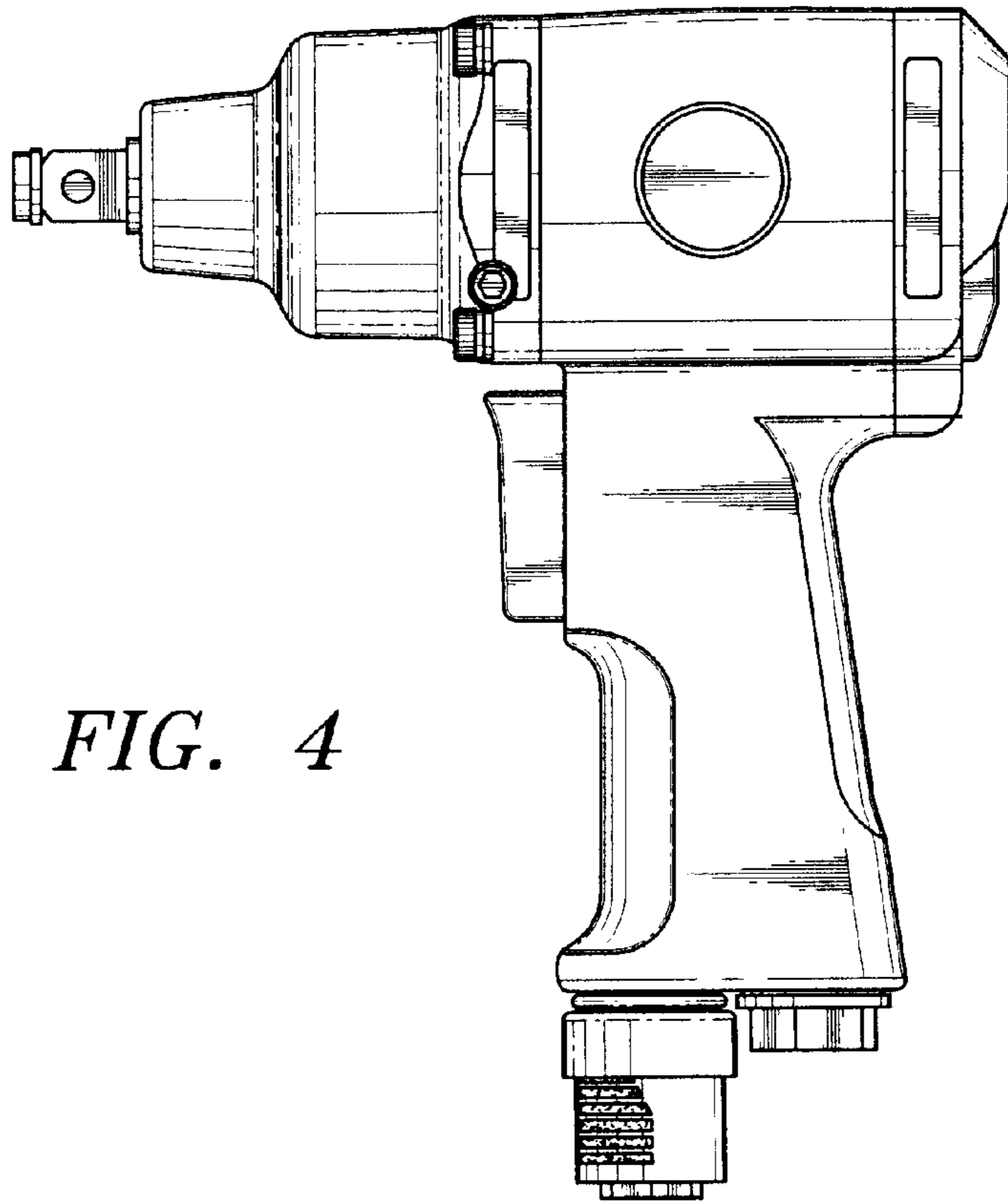


FIG. 4

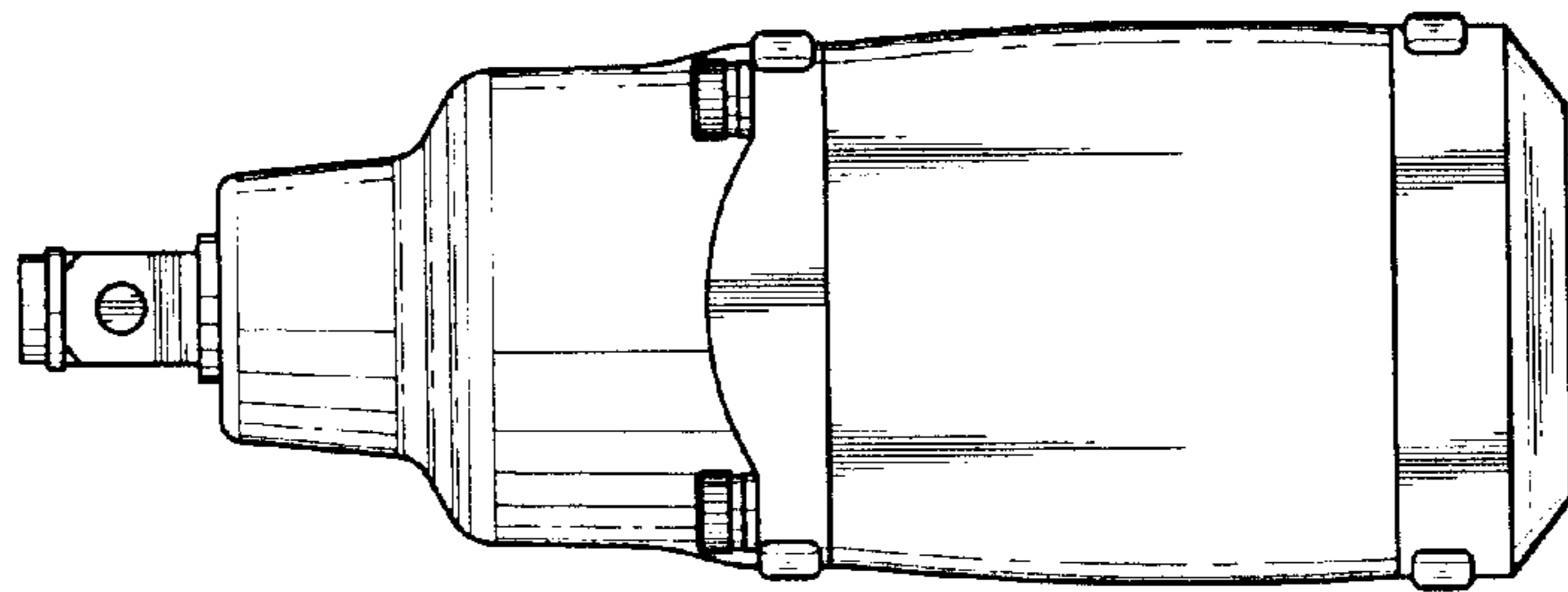


FIG. 5

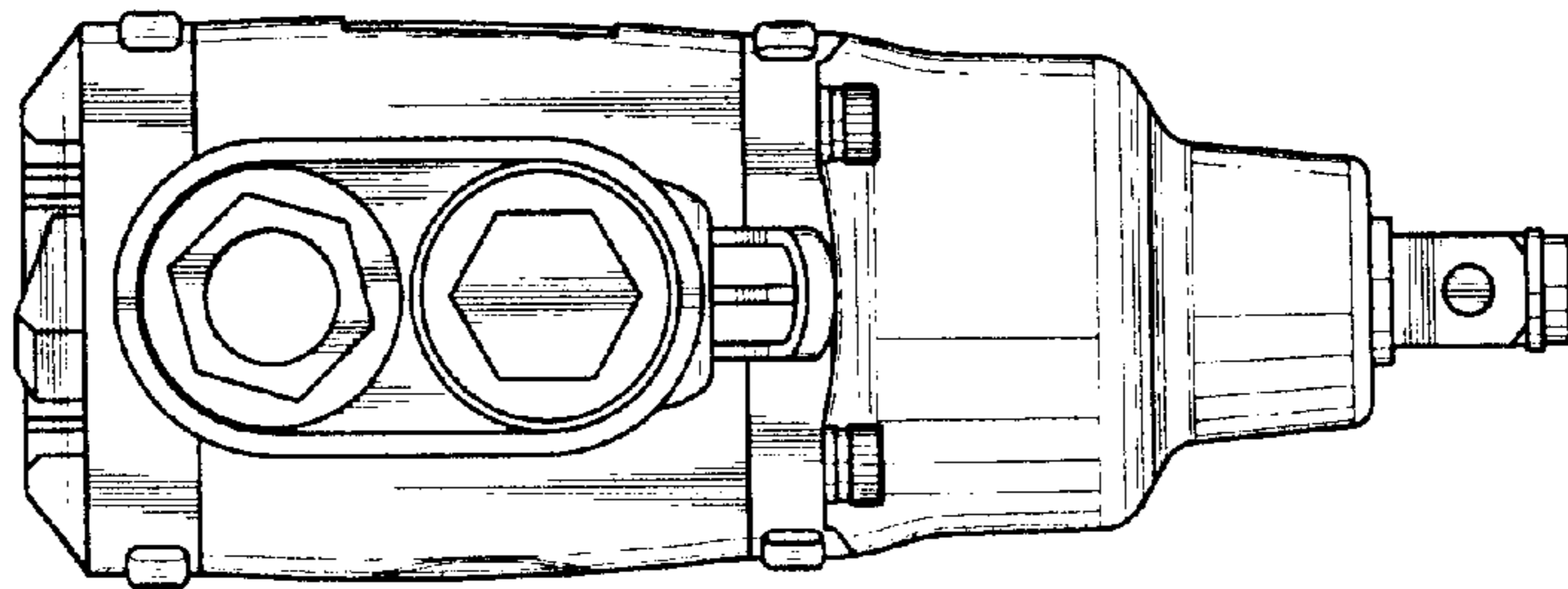


FIG. 6

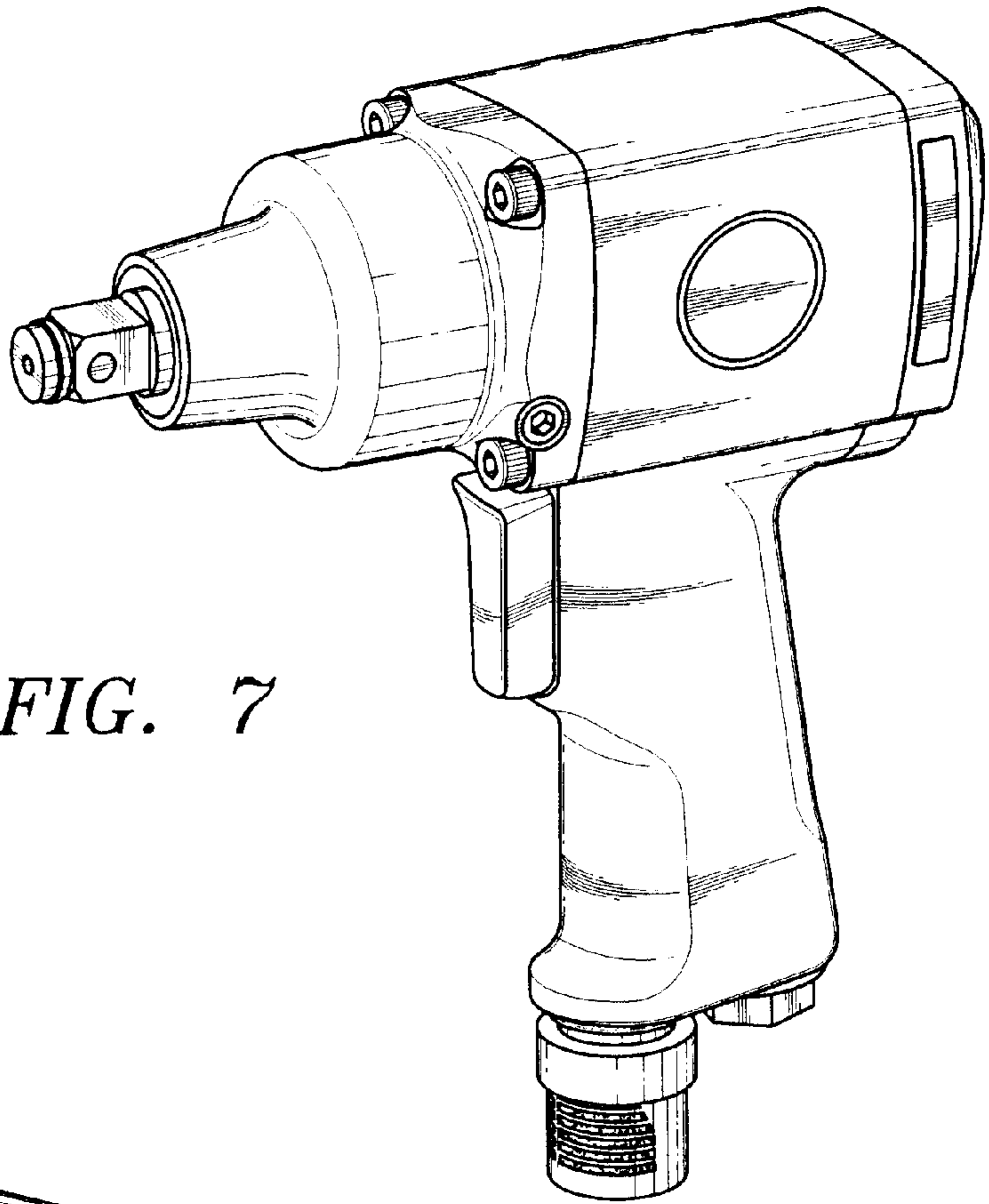


FIG. 7

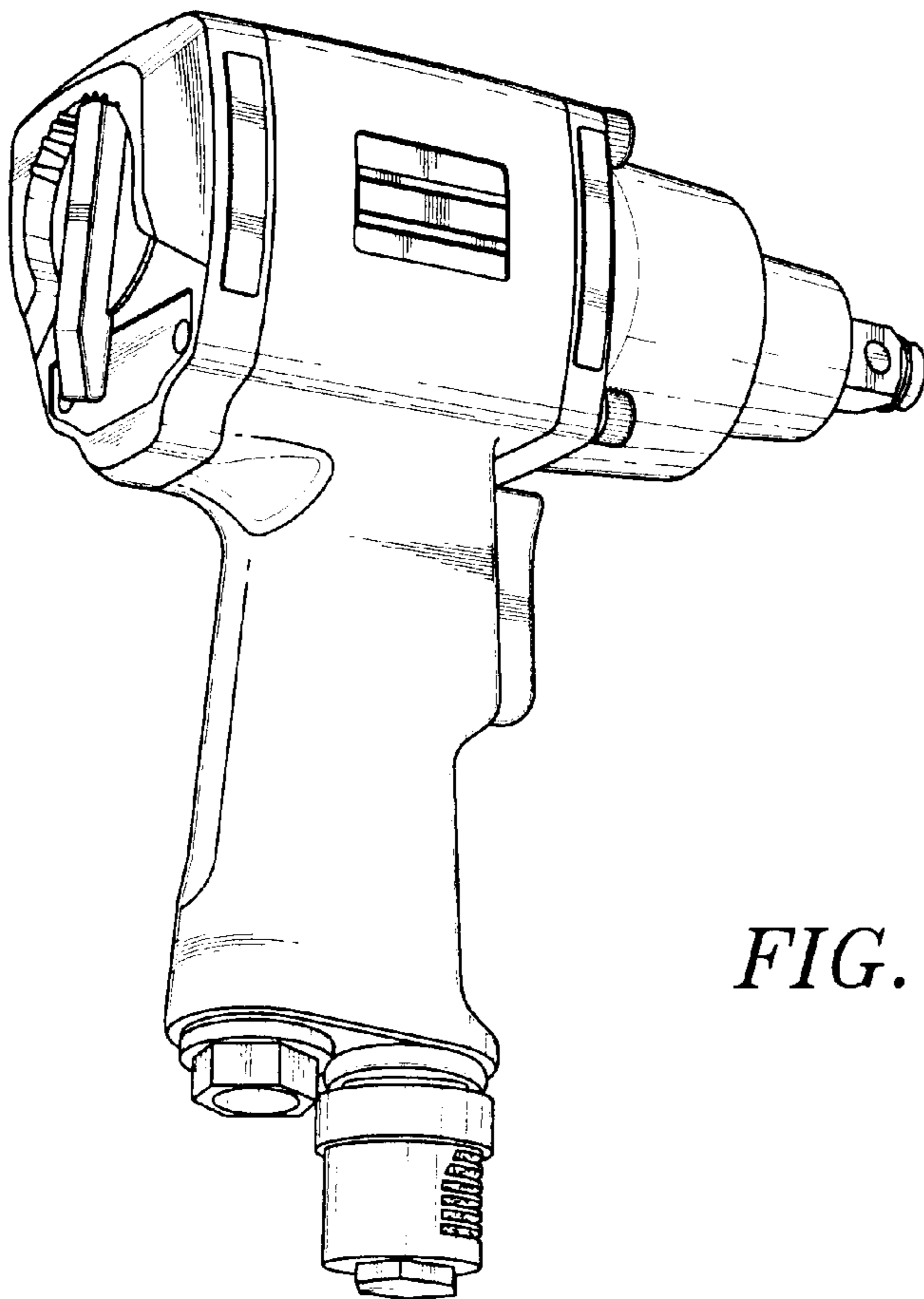


FIG. 8