



US00D461106S

(12) **United States Design Patent**
Stryd et al.

(10) **Patent No.:** **US D461,106 S**

(45) **Date of Patent:** **** Aug. 6, 2002**

(54) **SNOW SLIDER FRAME**

6,202,329 B1 * 3/2001 Supplee et al. 37/285

(76) Inventors: **Jack T. Stryd**, 7907 Bent Tree Rd.,
Kalamazoo, MI (US) 49009; **Thomas**
N. Stryd, 7907 W. "R" Ave.,
Kalamazoo, MI (US) 49009-8938

* cited by examiner

Primary Examiner—Robin V. Taylor
(74) *Attorney, Agent, or Firm*—Flynn, Thiel, Boutell &
Tanis, P.C.

(**) Term: **14 Years**

(57) **CLAIM**

(21) Appl. No.: **29/155,401**

The ornamental design for a snow slider frame, as shown
and described.

(22) Filed: **Feb. 8, 2002**

DESCRIPTION

Related U.S. Application Data

(62) Division of application No. 29/136,857, filed on Feb. 8,
2001.

(51) **LOC (7) Cl.** **08-01**

(52) **U.S. Cl.** **D8/10**

(58) **Field of Search** D8/1, 6-10; 294/54.5,
294/53.5, 57, 58, 59; 37/285

FIG. 1 is a top, right, front isometric view of a snow slider
frame embodying our new design;

FIG. 2 is a front view thereof;

FIG. 3 is a right side view thereof, the left side view being
a mirror image thereof;

FIG. 4 is a top view thereof;

FIG. 5 is a bottom view thereof; and,

FIG. 6 is a rear view thereof.

The mid pole is shown fragmented in FIG. 1 to indicate
indeterminate length.

The broken line showing is for illustrative purposes only and
forms no part of the claimed design.

(56) **References Cited**

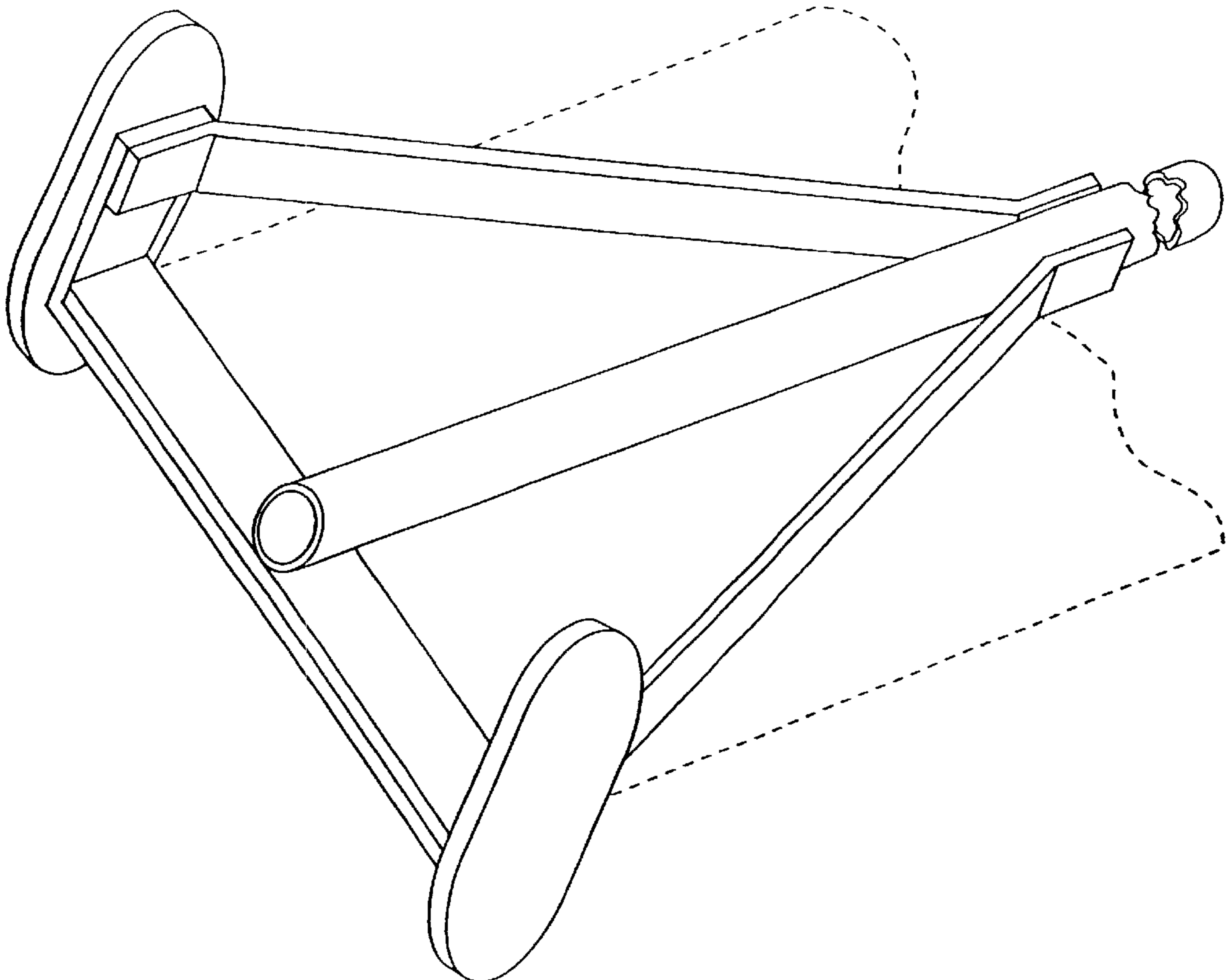
U.S. PATENT DOCUMENTS

3,998,486 A * 12/1976 Mittelstadt 294/54.5

4,125,951 A * 11/1978 Huerth 294/54.5

4,253,257 A * 3/1981 Albert 294/54.5

1 Claim, 5 Drawing Sheets



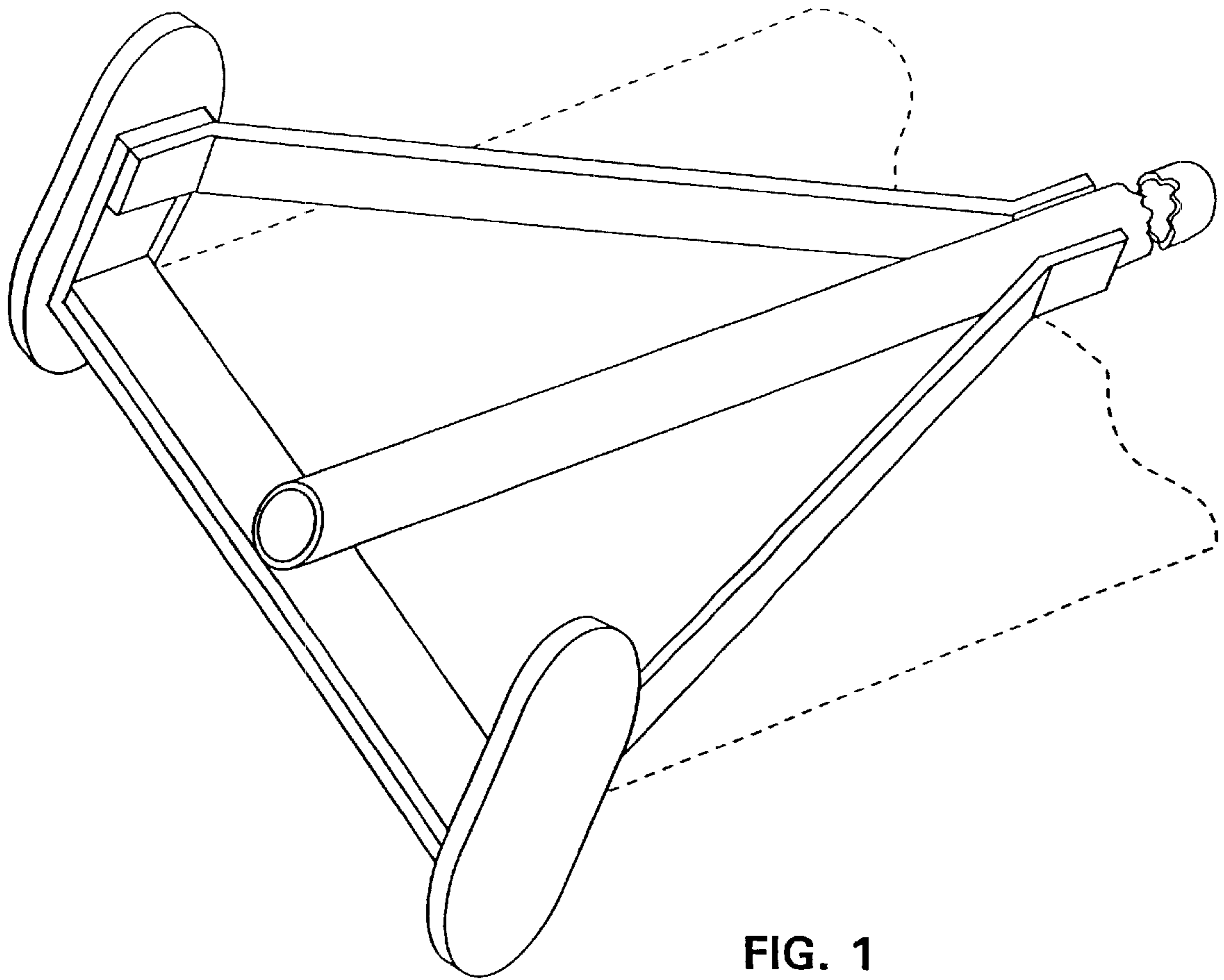


FIG. 1

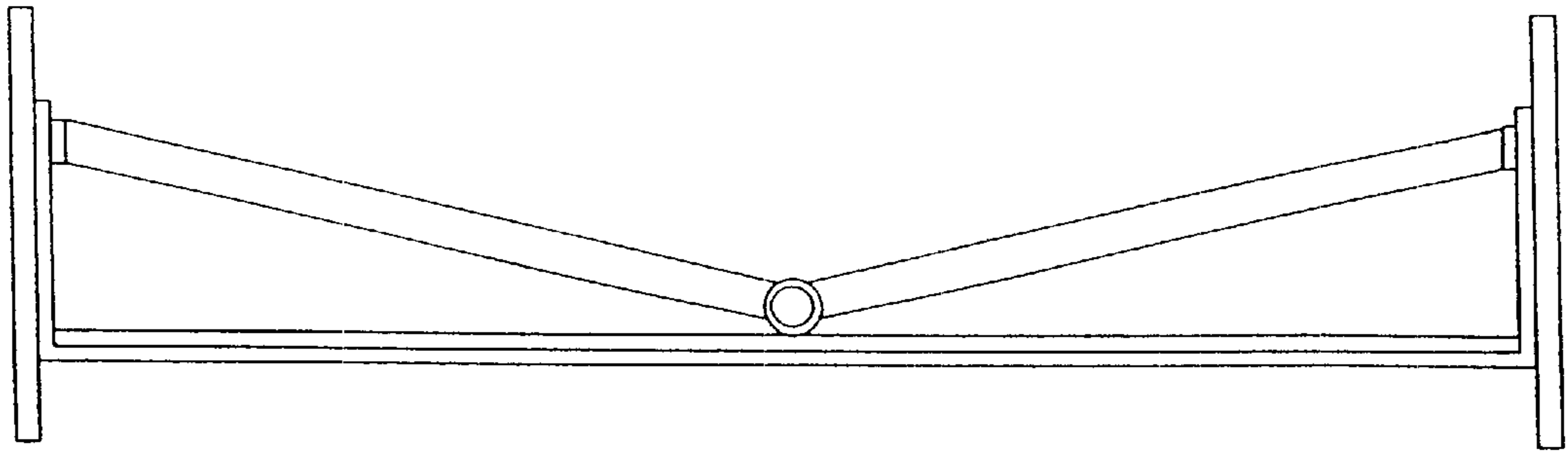


FIG. 2

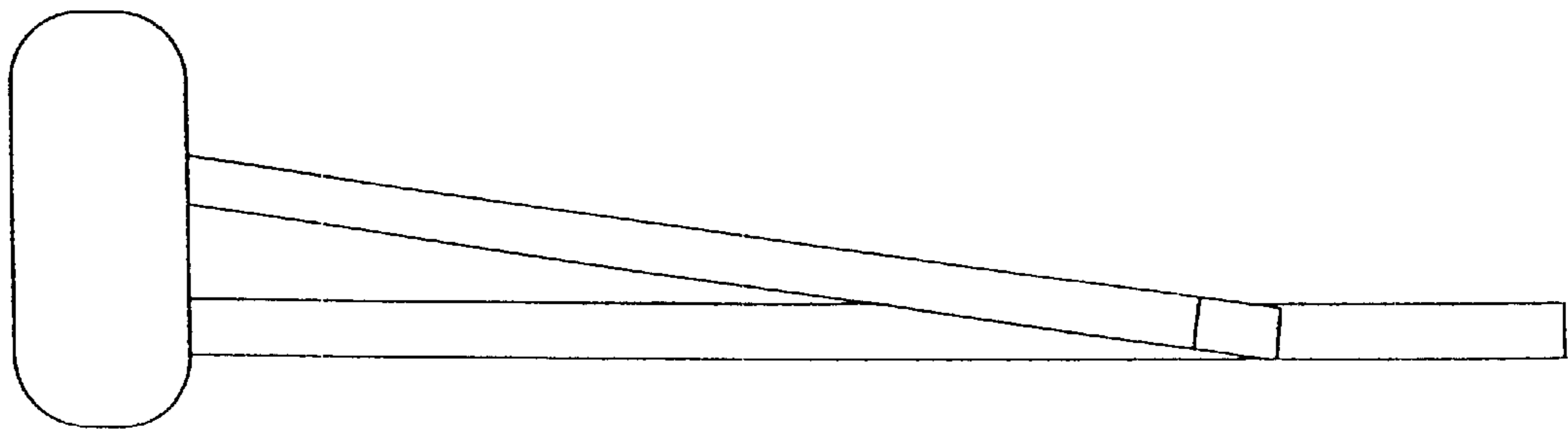


FIG. 3

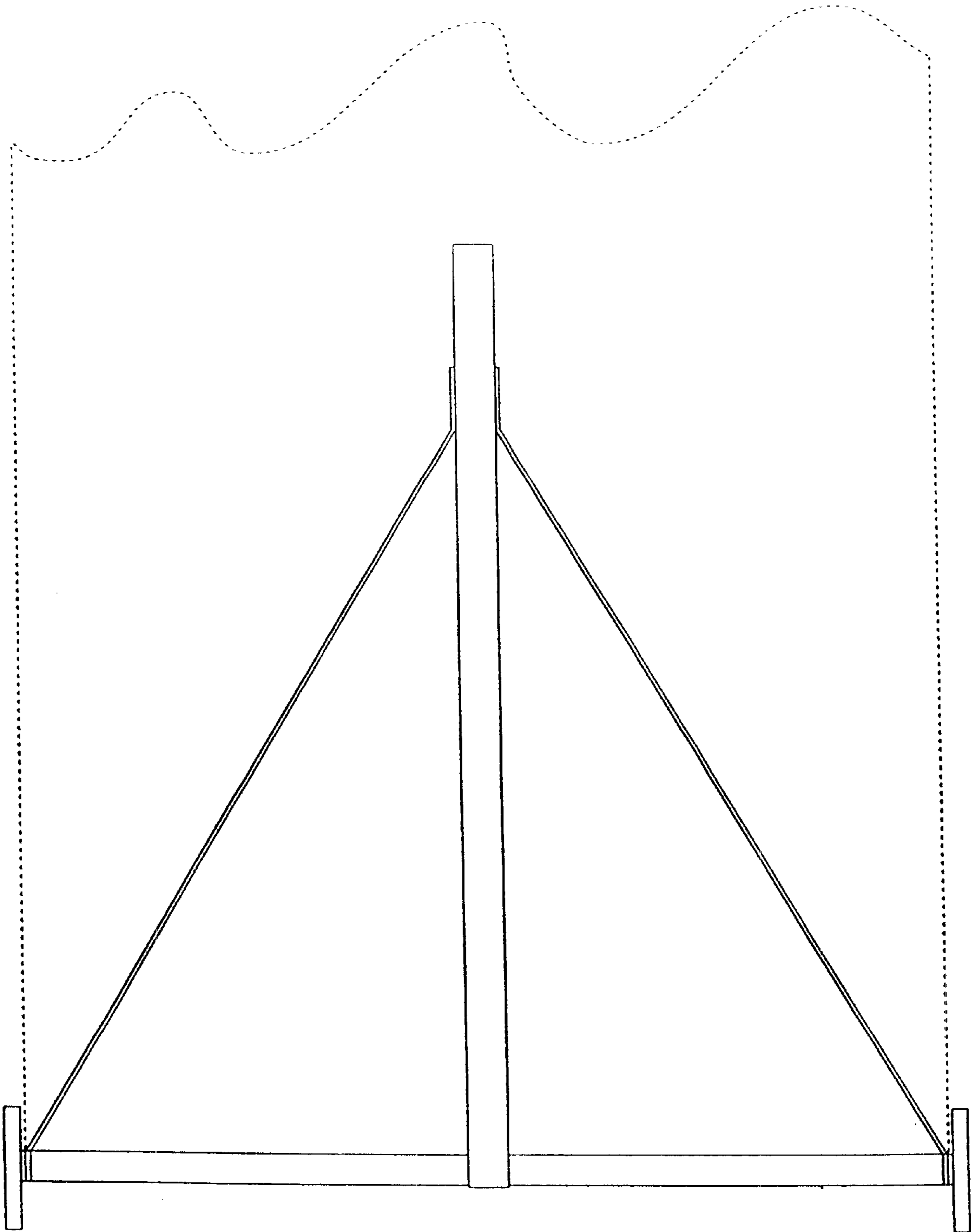


FIG. 4

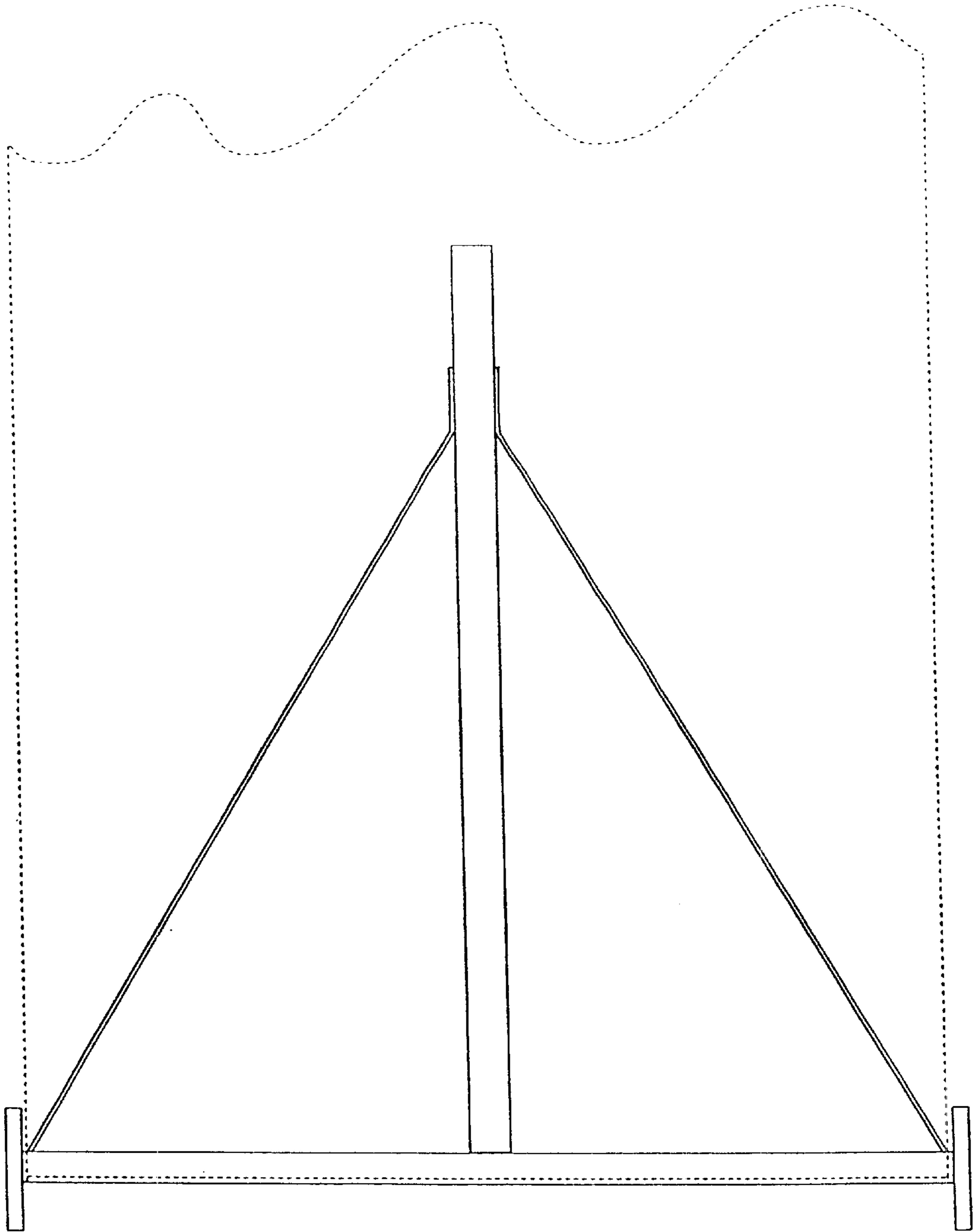


FIG. 5

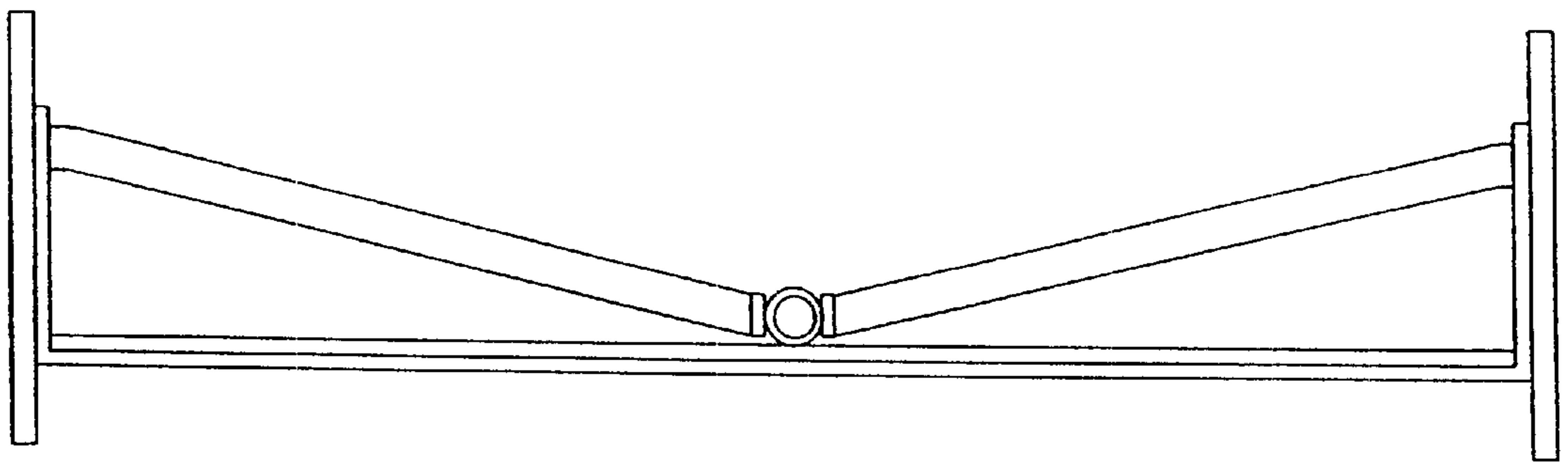


FIG. 6