



US00D461100S

(12) **United States Design Patent**
Poarch et al.

(10) **Patent No.:** **US D461,100 S**

(45) **Date of Patent:** **** Aug. 6, 2002**

(54) **PORTABLE SANDWICH PREPARATION TRAY**

(76) Inventors: **Michael J. Poarch**, *deceased*, late of Prineville, OR (US); by **Vickie L. Poarch**, legal representative, 1555 NE. 3rd, #115, Ochoco Plz., Prineville, OR (US) 97754

(**) Term: **14 Years**

(21) Appl. No.: **29/142,717**

(22) Filed: **May 31, 2001**

(51) **LOC (7) Cl.** **07-01**

(52) **U.S. Cl.** **D7/553.1**

(58) **Field of Search** D7/500, 504, 550.1, D7/552.1, 553.1, 553.2, 554.1, 554.3, 555, 557, 213, 601, 602; D19/77; 99/426, 441; 206/557, 561, 562, 563, 564; 220/500, 507, 512, 23.8, 23.83, 574, 575; D9/341; 211/85.4; 229/938

(56) **References Cited**

U.S. PATENT DOCUMENTS

4,004,501 A * 1/1977 Guerrero 220/23.8

D293,193 S * 12/1987 Vandervoort D7/555

D371,047 S * 6/1996 Houyou D7/504

5,628,245 A * 5/1997 Baze 99/441

5,632,379 A * 5/1997 Frost 229/938

* cited by examiner

Primary Examiner—Doris V. Coles

Assistant Examiner—Elizabeth A. Albert

(74) *Attorney, Agent, or Firm*—Olson & Olson

(57) **CLAIM**

The ornamental design for a portable sandwich preparation tray, as shown and described.

DESCRIPTION

FIG. 1 is a perspective view of the portable sandwich preparation tray of our design.

FIG. 2 is a side elevation of the tray as viewed from the right in FIG. 1, the opposite side being a mirror image thereof.

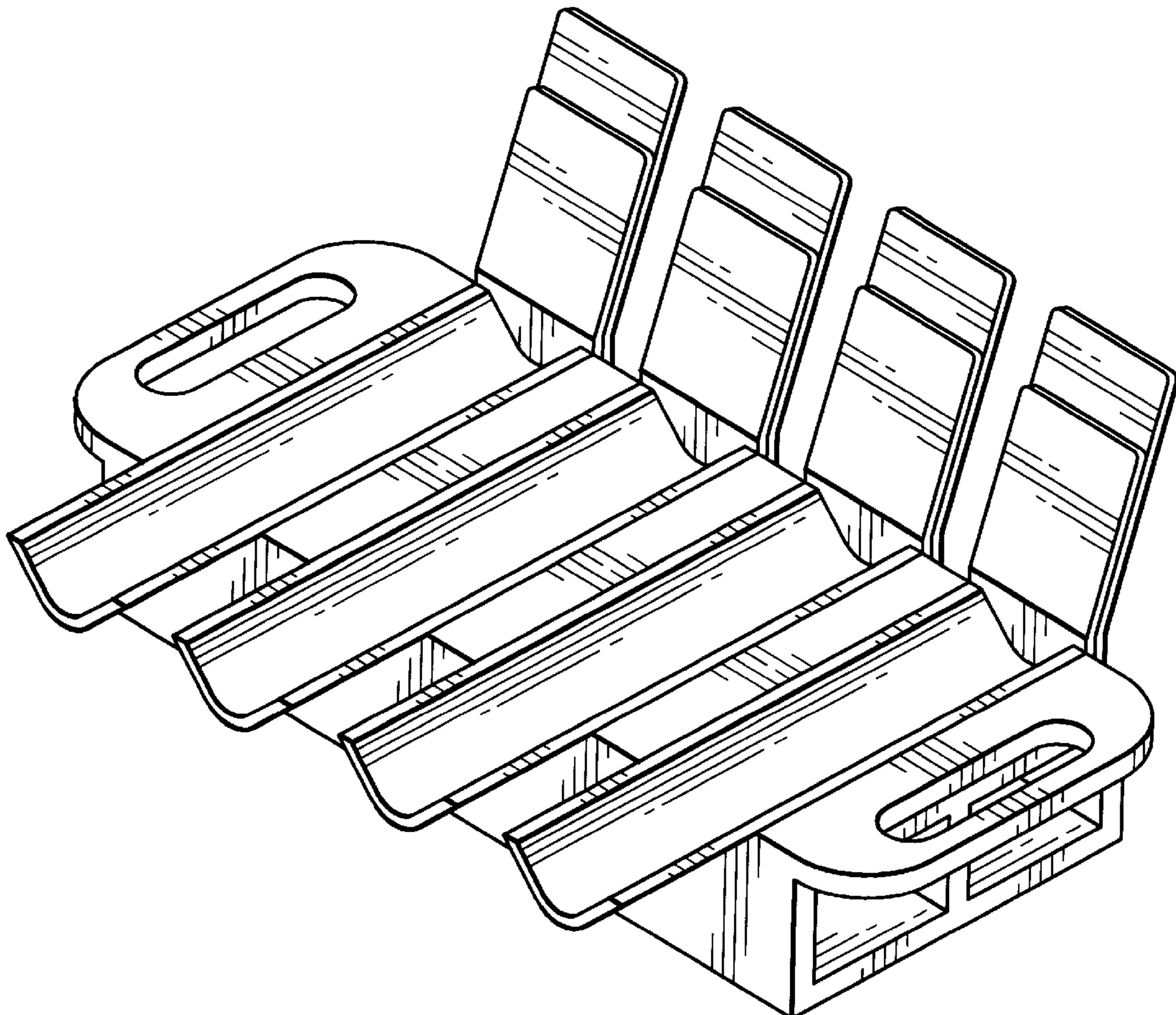
FIG. 3 is a top plan view of the tray.

FIG. 4 is a front elevation of the tray as viewed from the left in FIG. 2.

FIG. 5 is a rear elevation of the tray as viewed from the right in FIG. 2; and,

FIG. 6 is a bottom plan view of the tray.

1 Claim, 3 Drawing Sheets



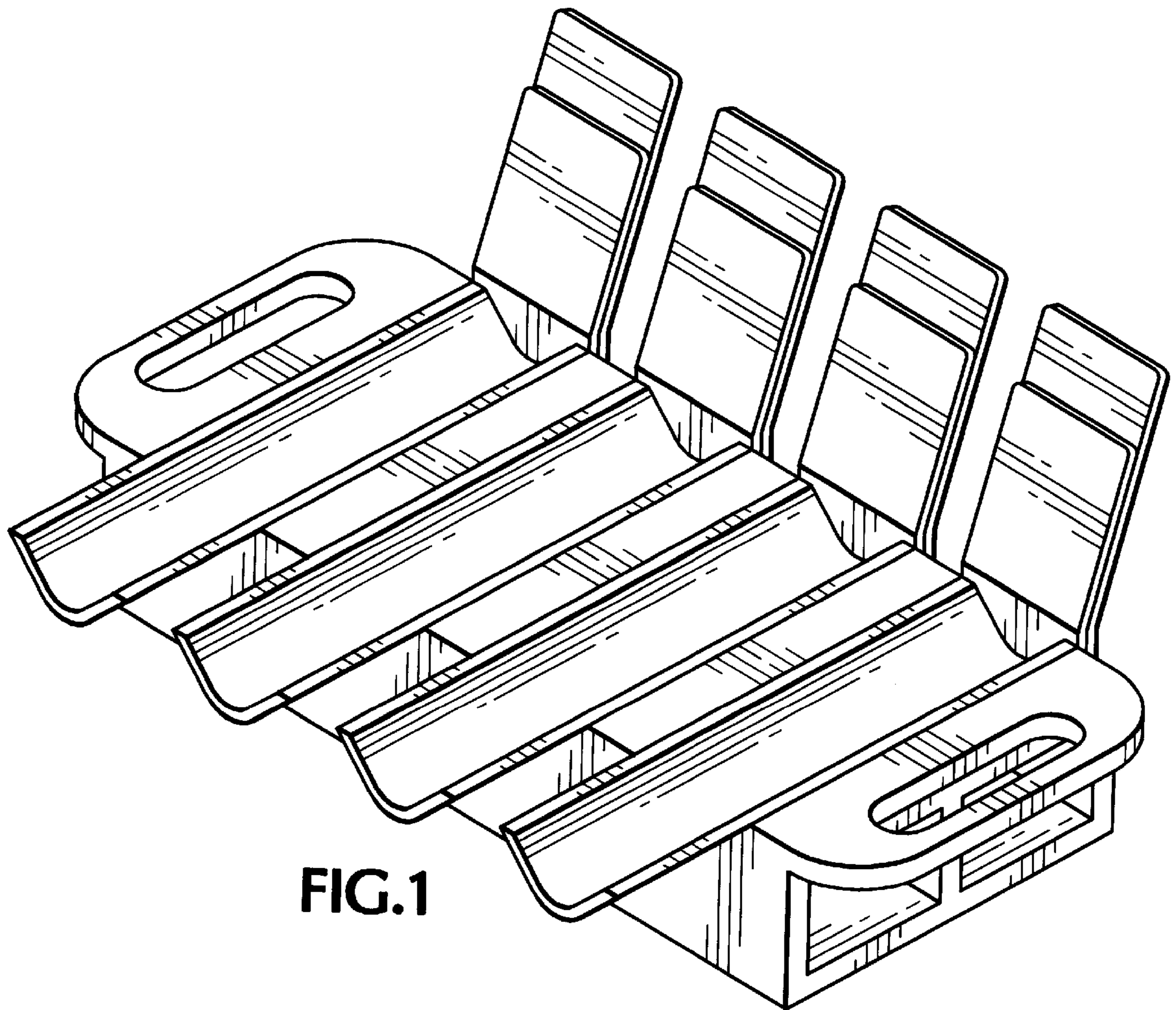


FIG. 1

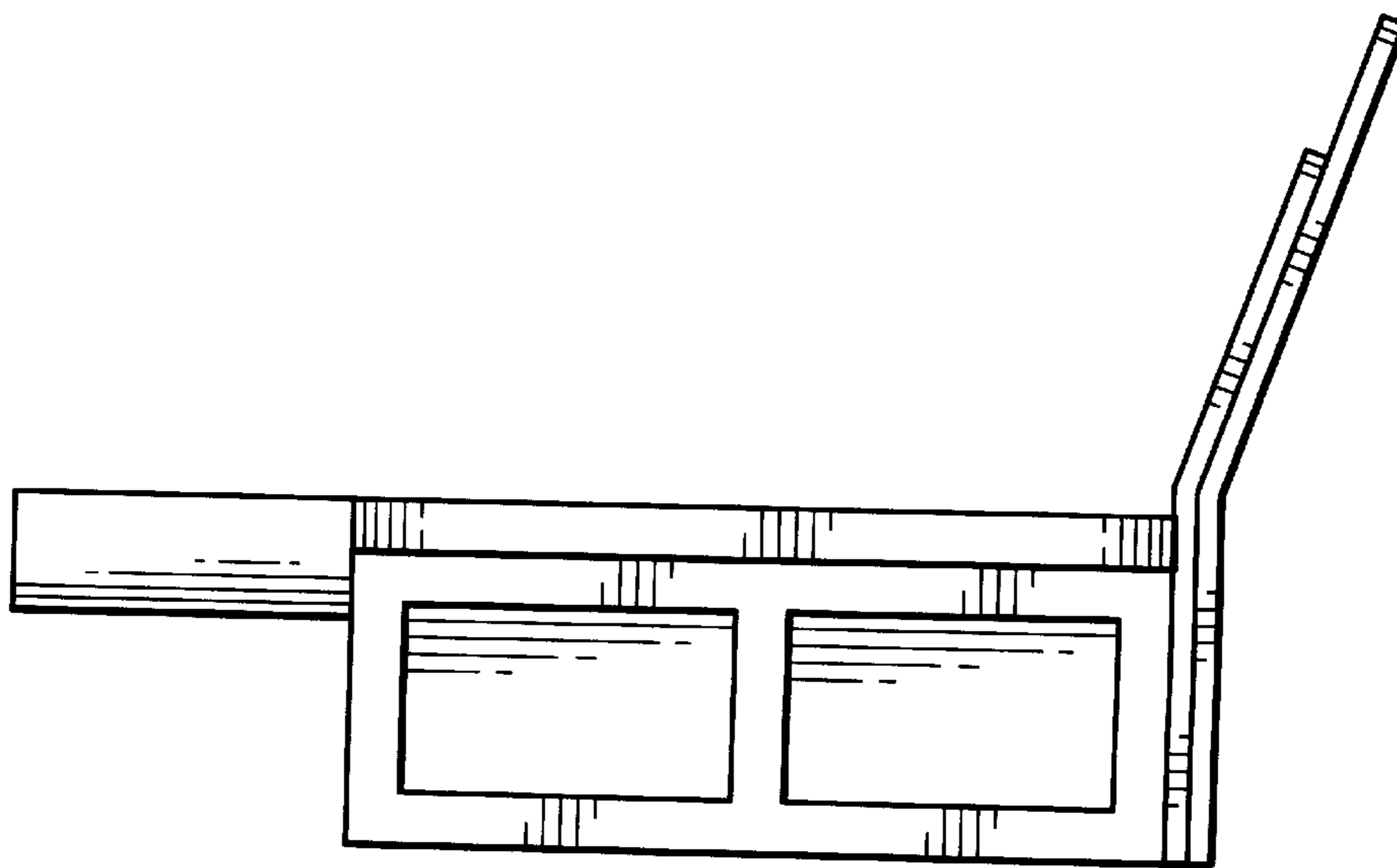


FIG. 2

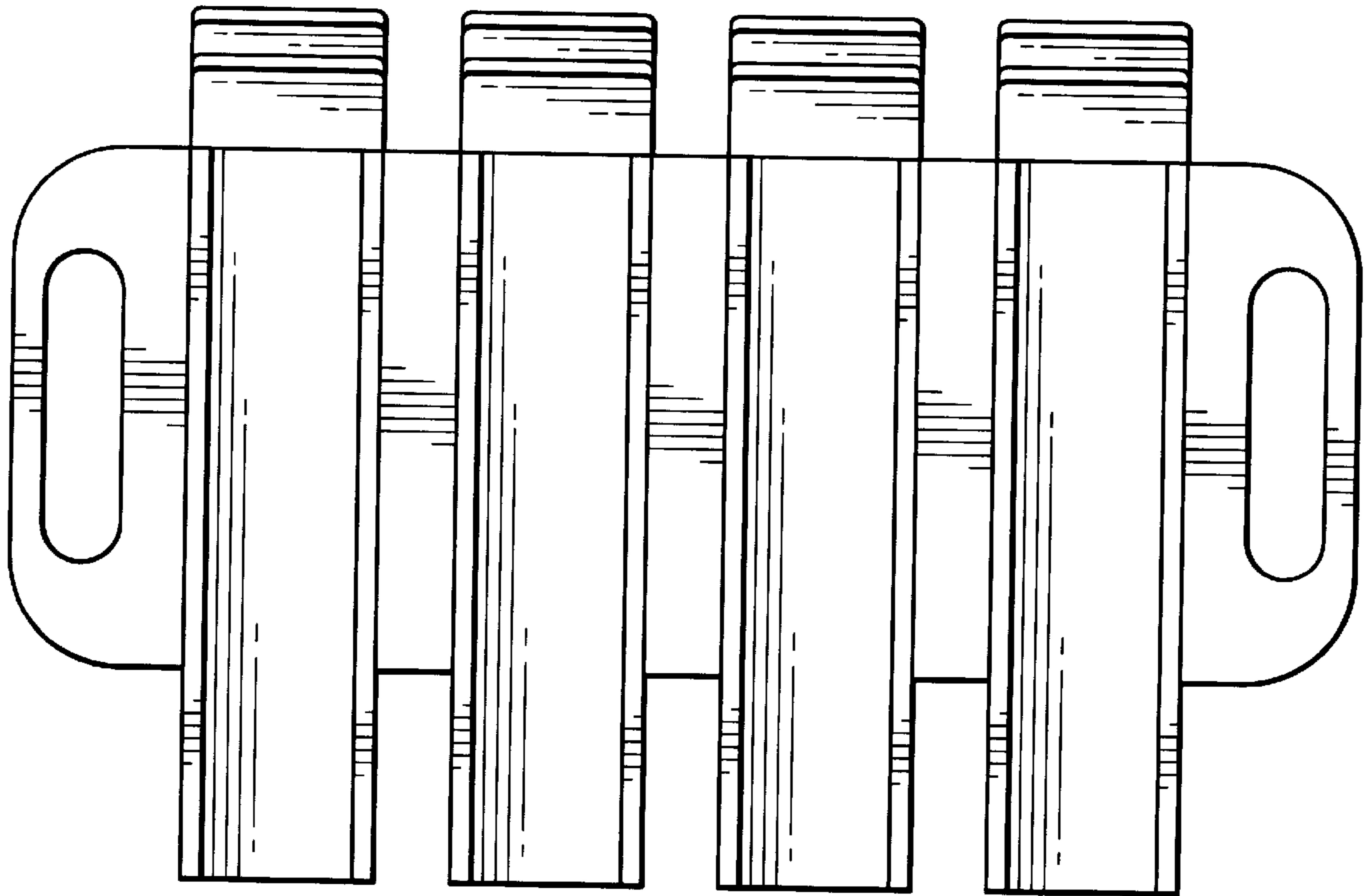


FIG.3

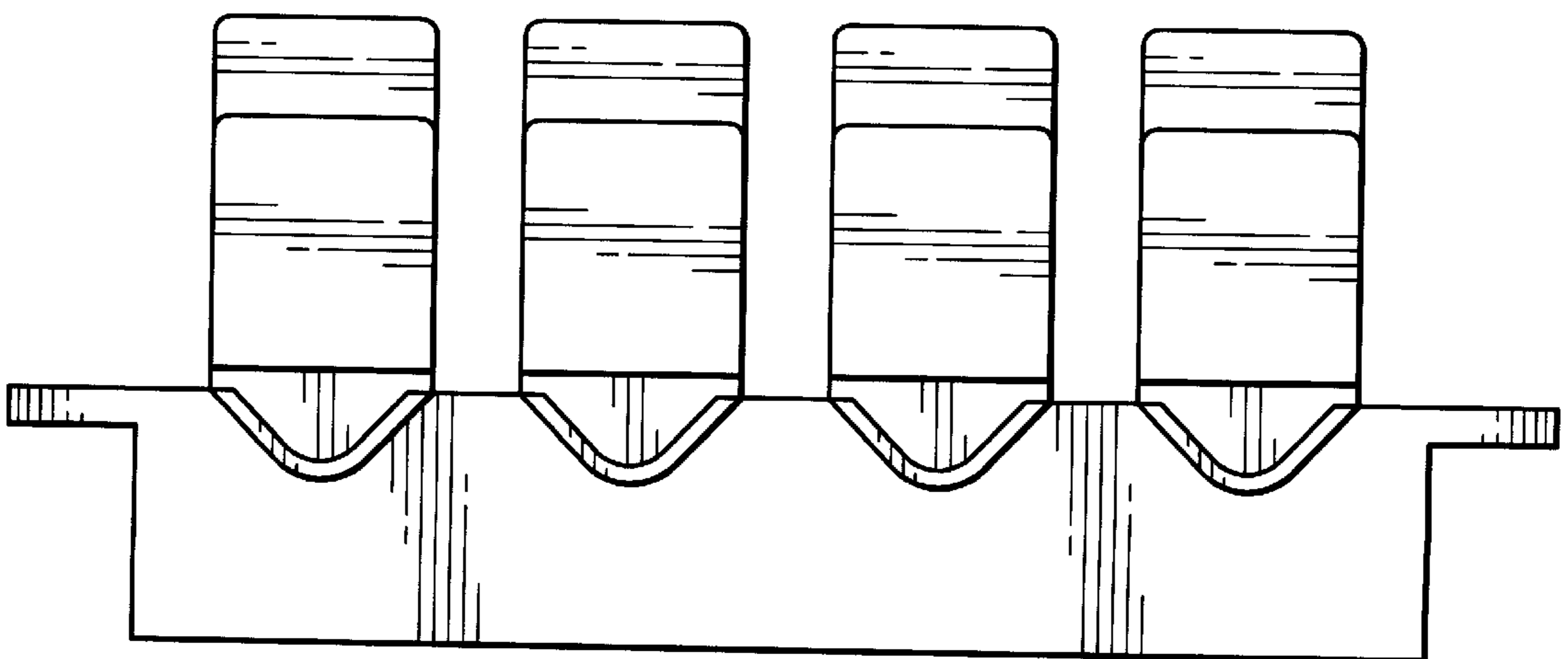


FIG.4

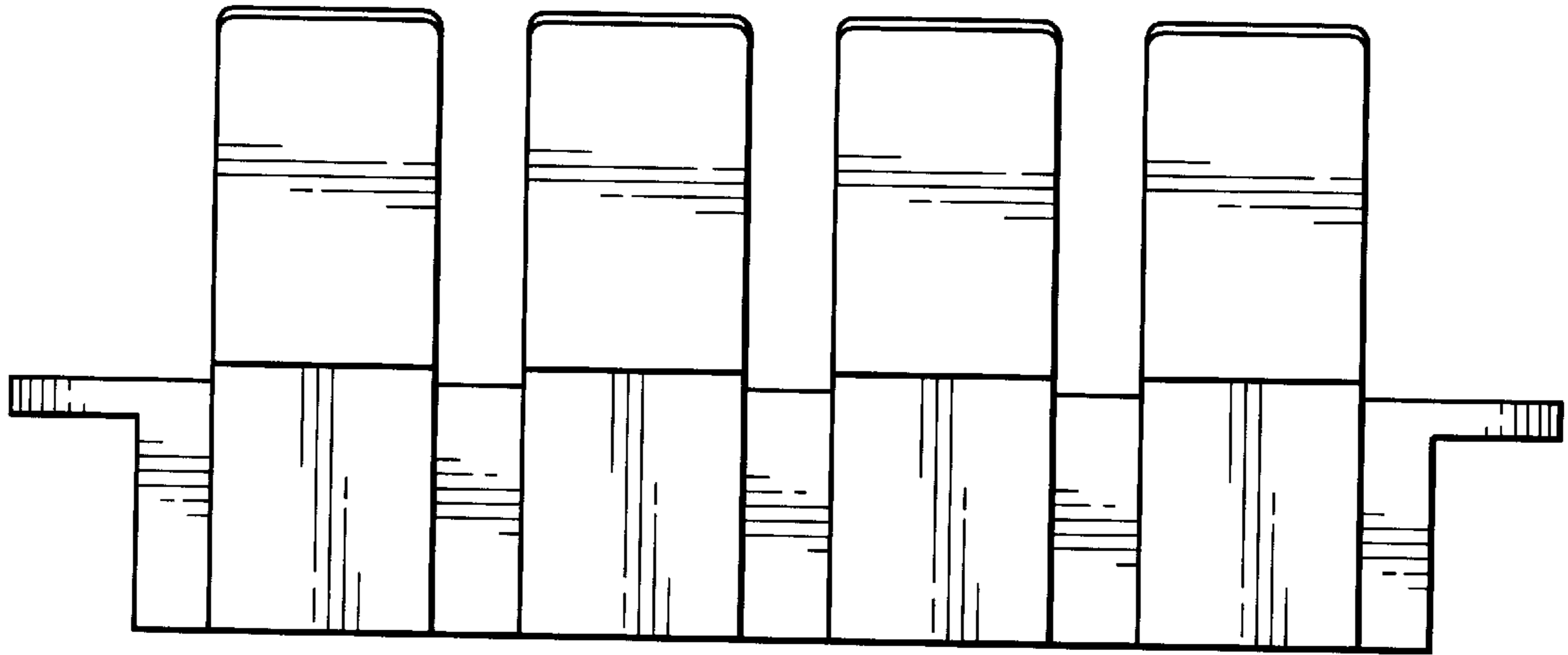


FIG. 5

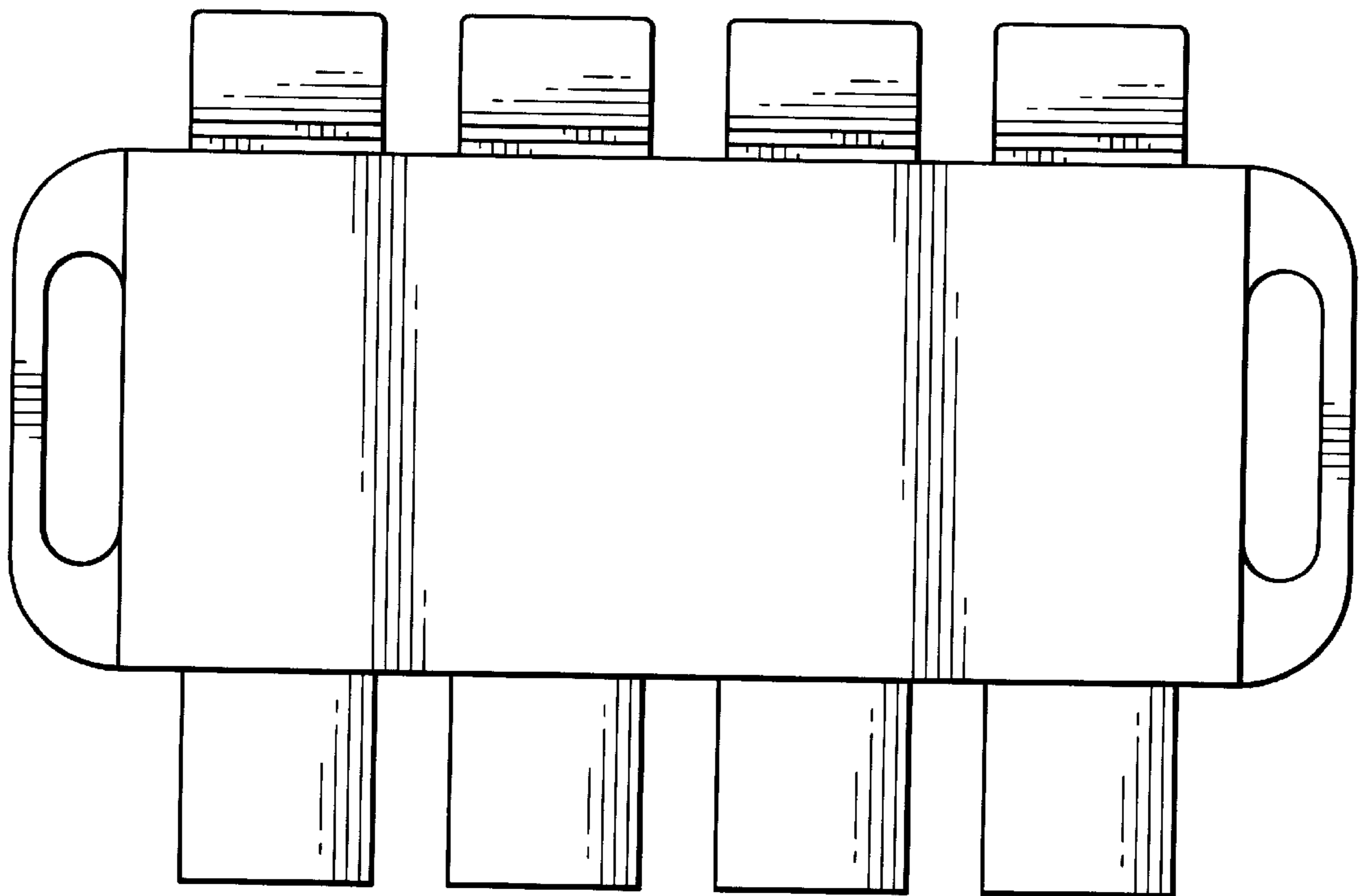


FIG. 6