



US00D461099S

(12) **United States Design Patent**
Leuenberger

(10) **Patent No.:** **US D461,099 S**

(45) **Date of Patent:** **** Aug. 6, 2002**

(54) **SHRIMP RING HAVING TRAY WITH
TRANSPARENT COVER**

(75) **Inventor:** **Dirk Leuenberger**, Redmond, WA (US)

(73) **Assignee:** **Admiralty Island Fisheries, Inc.**,
Seattle, WA (US)

(**) **Term:** **14 Years**

(21) **Appl. No.:** **29/152,693**

(22) **Filed:** **Dec. 20, 2001**

(51) **LOC (7) Cl.** **07-01**

(52) **U.S. Cl.** **D7/541; D7/505; D7/540;**
D7/553.6

(58) **Field of Search** D7/501, 553.1,
D7/505, 554.1, 587, 546, 549, 553.6, 553.8,
555, 540, 541, 556, 557, 610, 629; 220/575,
23.8, 506, 780; D1/102; D9/337, 425, 428,
429; 206/557, 523; 426/132, 112; 211/74;
108/27

(56) **References Cited**

U.S. PATENT DOCUMENTS

- 1,949,285 A * 2/1934 Porter 108/27 X
- 3,066,824 A * 12/1962 Bostrom 220/784
- D237,344 S * 10/1975 Whitten D7/557
- 4,197,940 A * 4/1980 DeRossett 220/408
- D346,554 S * 5/1994 Krupa D9/429

- D396,606 S * 8/1998 Blazeovich D7/553.6
- D404,612 S * 1/1999 Blazeovich D7/505
- 5,869,120 A * 2/1999 Blazeovich 426/132
- D420,285 S * 2/2000 Sagan et al. D9/429
- 6,022,571 A * 2/2000 Blazeovich 426/132
- D422,907 S * 4/2000 Sagan et al. D9/428
- 6,168,813 B1 * 1/2001 Blazeovich 426/132
- D444,351 S * 7/2001 Lillelund et al. D7/629
- D450,580 S * 11/2001 Littlejohn et al. D9/429
- D452,146 S * 12/2001 Lin D9/337

* cited by examiner

Primary Examiner—M. N. Pandozzi

(74) *Attorney, Agent, or Firm*—Christensen O'Connor
Johnson Kindness PLLC

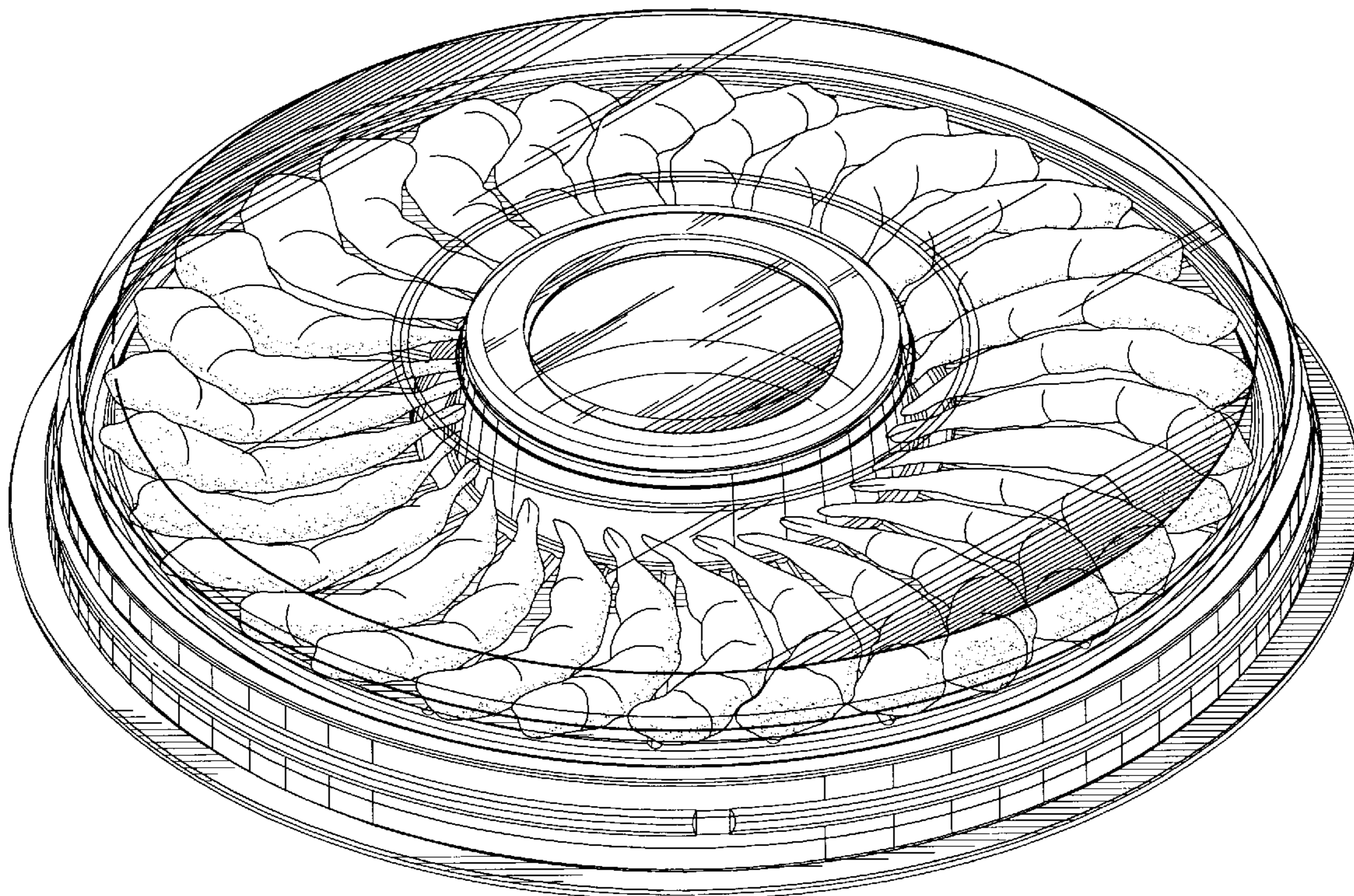
(57) **CLAIM**

The ornamental design for a shrimp ring having tray with transparent cover, as shown and described.

DESCRIPTION

FIG. 1 provides a perspective view of a shrimp ring showing my new design;
FIG. 2 is a top plan view of the shrimp ring of FIG. 1;
FIG. 3 is a side elevation view of the shrimp ring of FIG. 1, that, due to symmetry of the shrimp ring, is the same from any side; and,
FIG. 4 is a bottom plan view of the shrimp ring of FIG. 1.

1 Claim, 3 Drawing Sheets



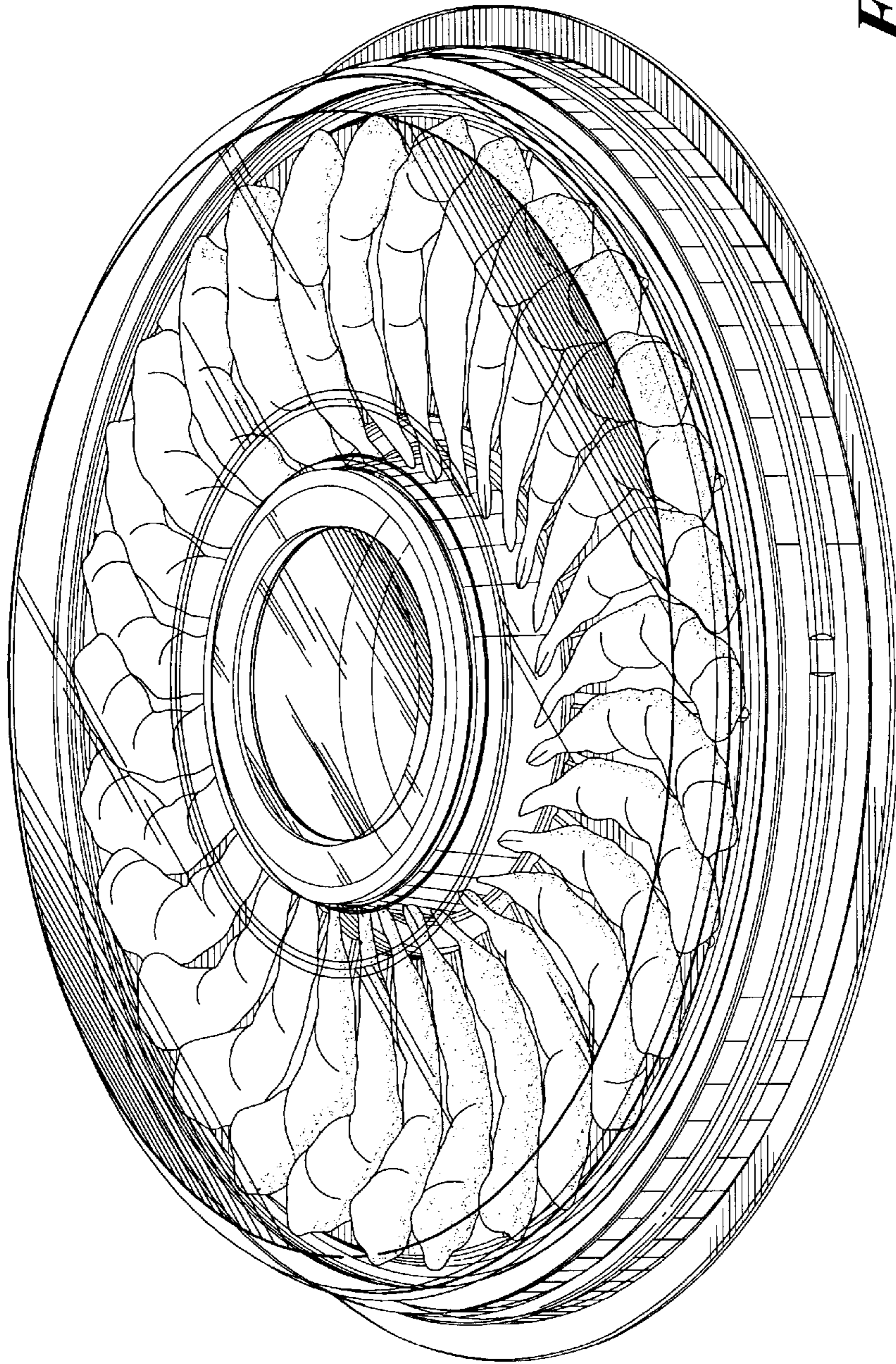


Fig. 1.

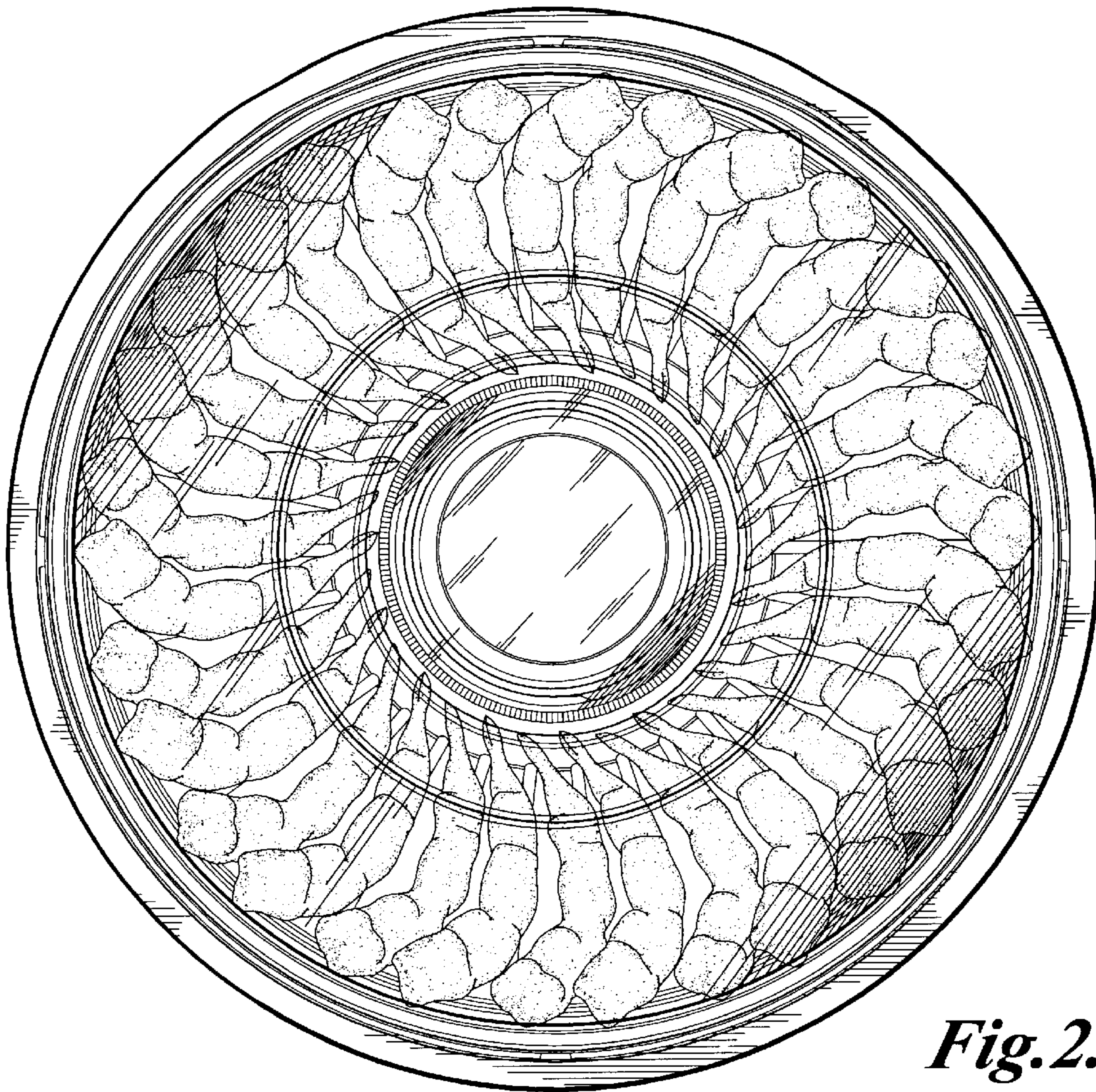


Fig. 2.

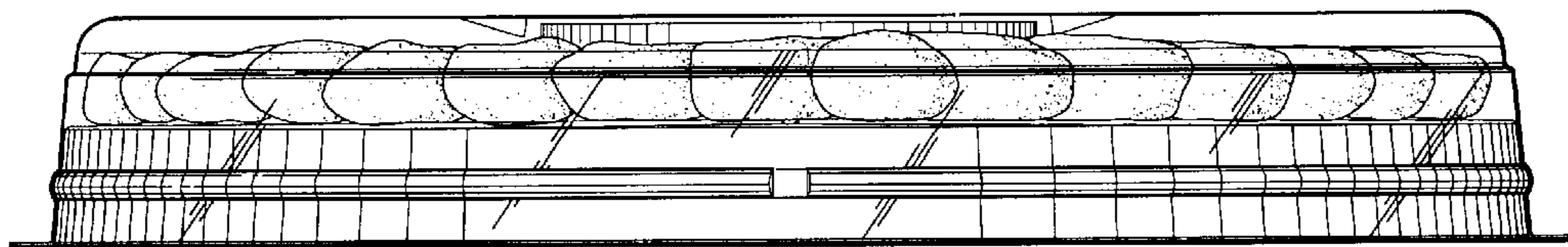


Fig. 3.

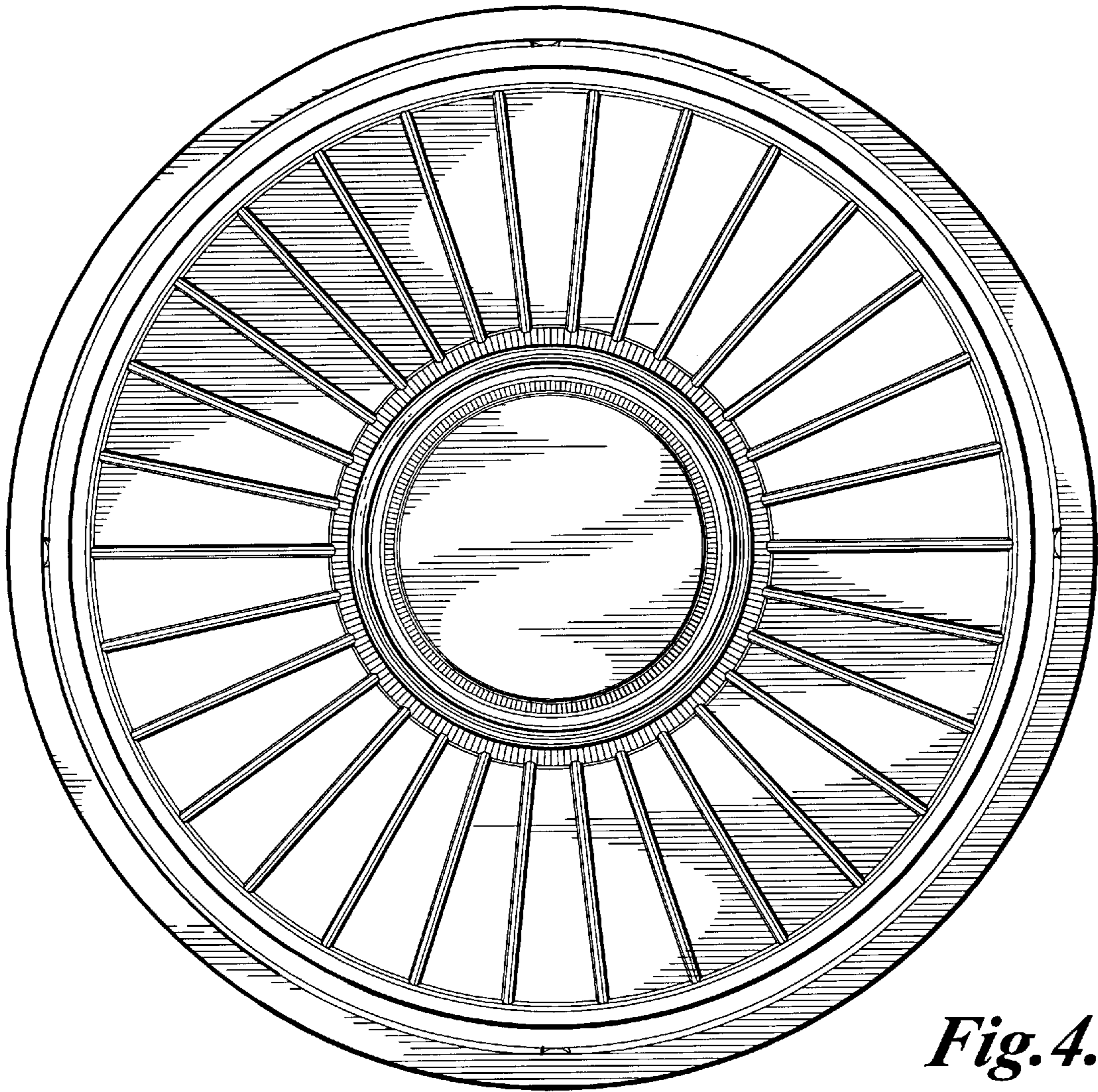


Fig. 4.