

US00D461094S

(12) **United States Design Patent**  
**Coudurier**

(10) **Patent No.:** **US D461,094 S**

(45) **Date of Patent:** **\*\* Aug. 6, 2002**

(54) **HANDLE**

D410,817 S \* 6/1999 Brunianyn ..... D7/394  
D444,345 S \* 7/2001 Rae ..... D7/394

(75) Inventor: **Olivier Coudurier**, Marigny St. Marcel (FR)

\* cited by examiner

(73) Assignee: **Tefal S.A.**, Rumilly (FR)

*Primary Examiner*—Terry A. Wallace  
(74) *Attorney, Agent, or Firm*—Young & Thompson

(\*\*) Term: **14 Years**

(57) **CLAIM**

(21) Appl. No.: **29/144,749**

The ornamental design for a handle, as shown and described.

(22) Filed: **Jul. 11, 2001**

**DESCRIPTION**

(30) **Foreign Application Priority Data**

Jan. 24, 2001 (FR) ..... 01 0436

FIG. 1 is a top and side perspective view of a handle showing my new design;

(51) **LOC (7) Cl.** ..... **07-02**

FIG. 2 is a side elevational view thereof, the side opposite that shown in FIG. 2 being the mirror image thereof;

(52) **U.S. Cl.** ..... **D7/394**

(58) **Field of Search** ..... D7/393-395, 401.2, D7/354-361; D8/107; 16/110.1, 430, 431, 436, 441, 444, DIG. 12, DIG. 18, DIG. 19; 220/573.1, 752, 753, 755

FIG. 3 is an elevational view thereof from the left of FIG. 2; FIG. 4 is an elevational view thereof from the right of FIG. 2;

(56) **References Cited**

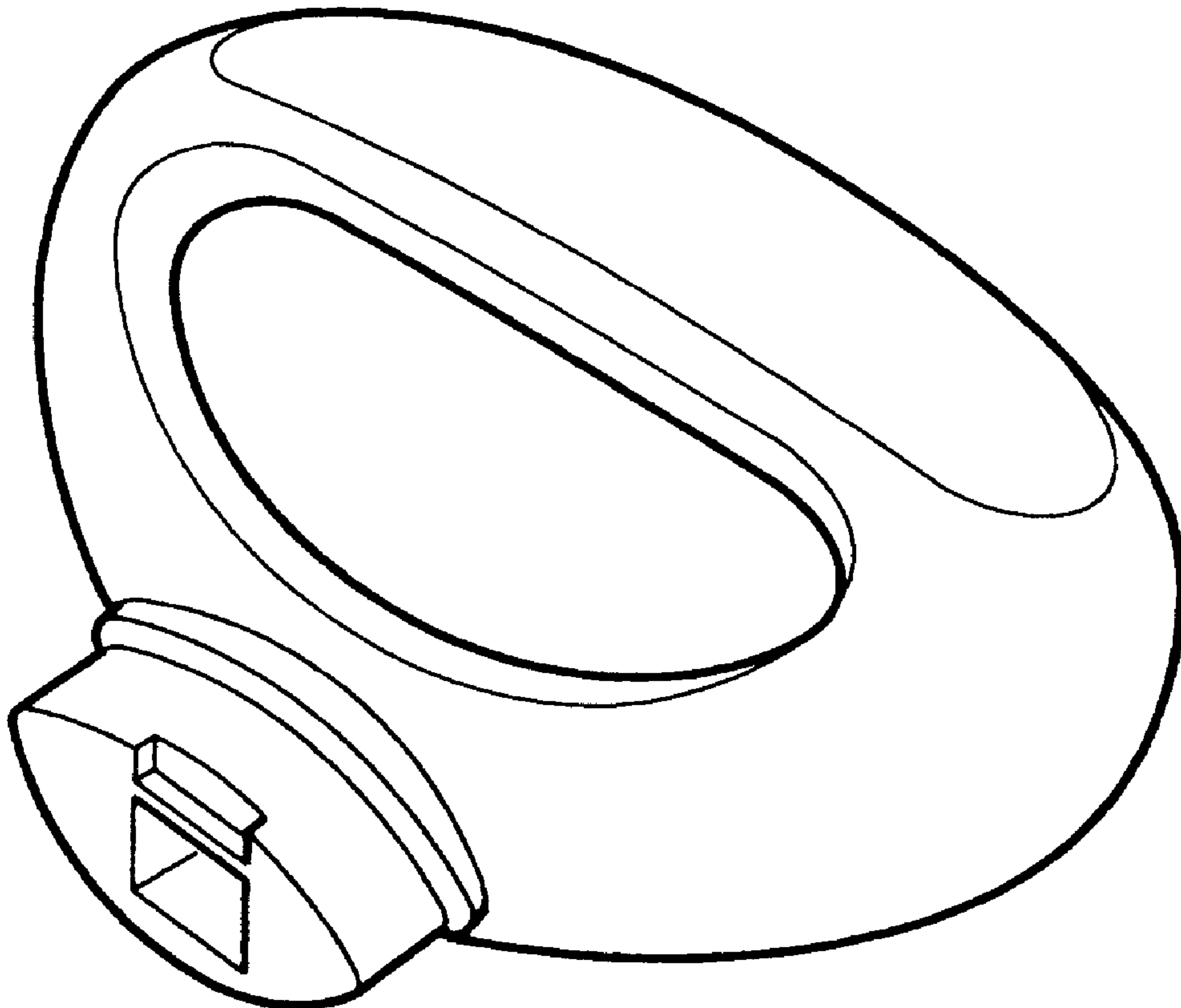
FIG. 5 is a top plan view thereof; and,

**U.S. PATENT DOCUMENTS**

FIG. 6 is a bottom plan view thereof.

D391,444 S \* 3/1998 Munari ..... D7/394

**1 Claim, 6 Drawing Sheets**



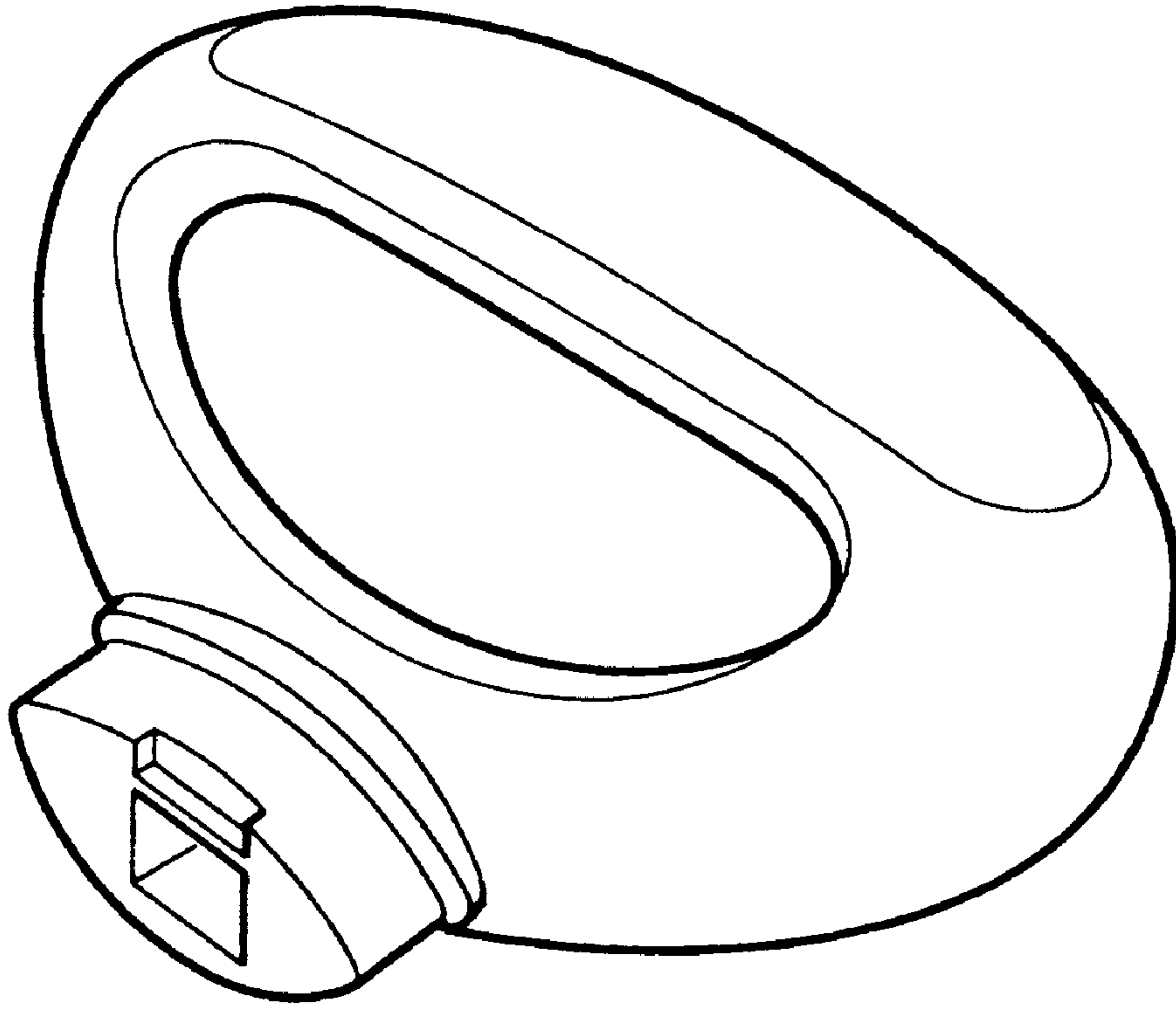


FIG. 1

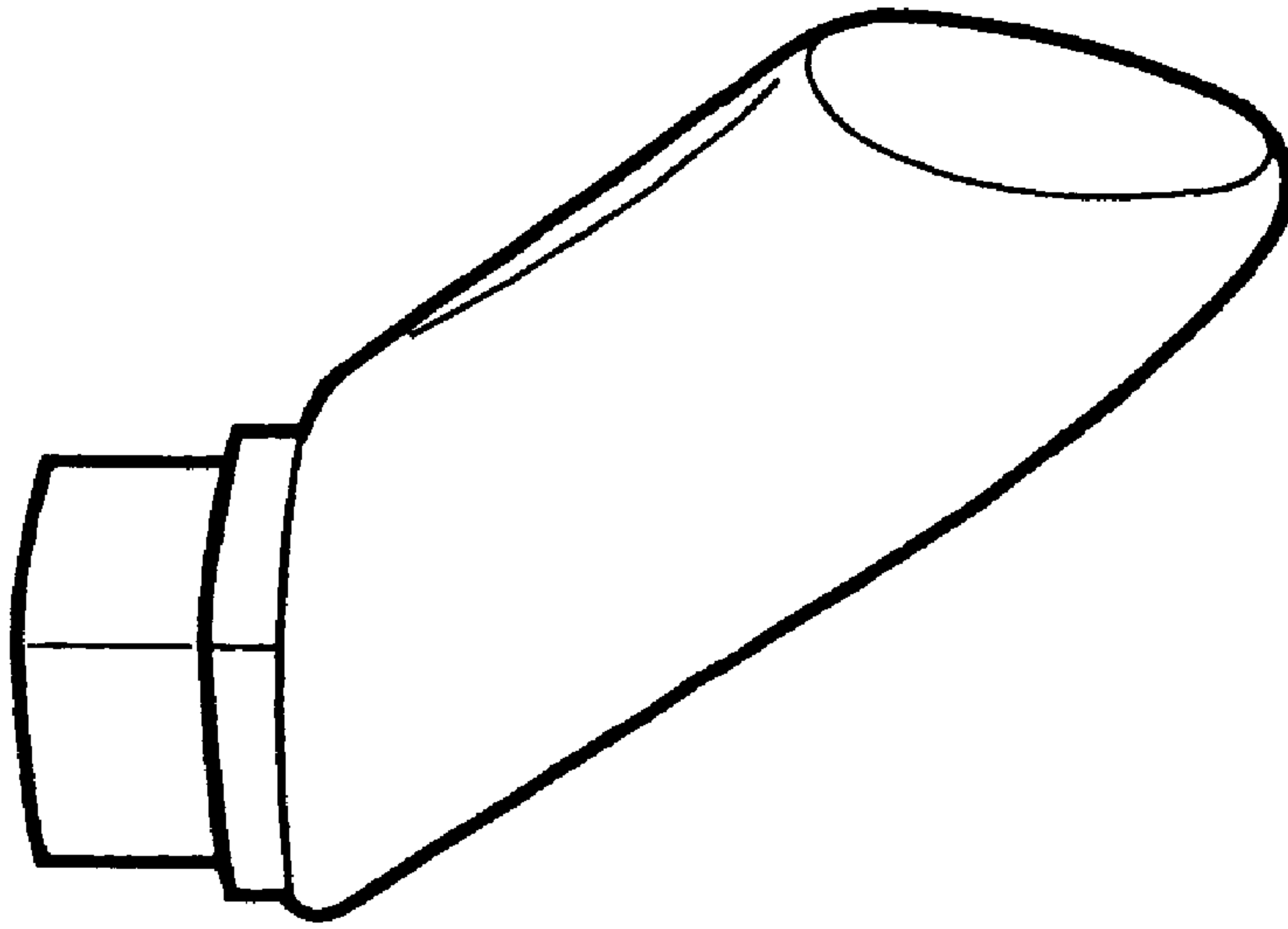


FIG. 2

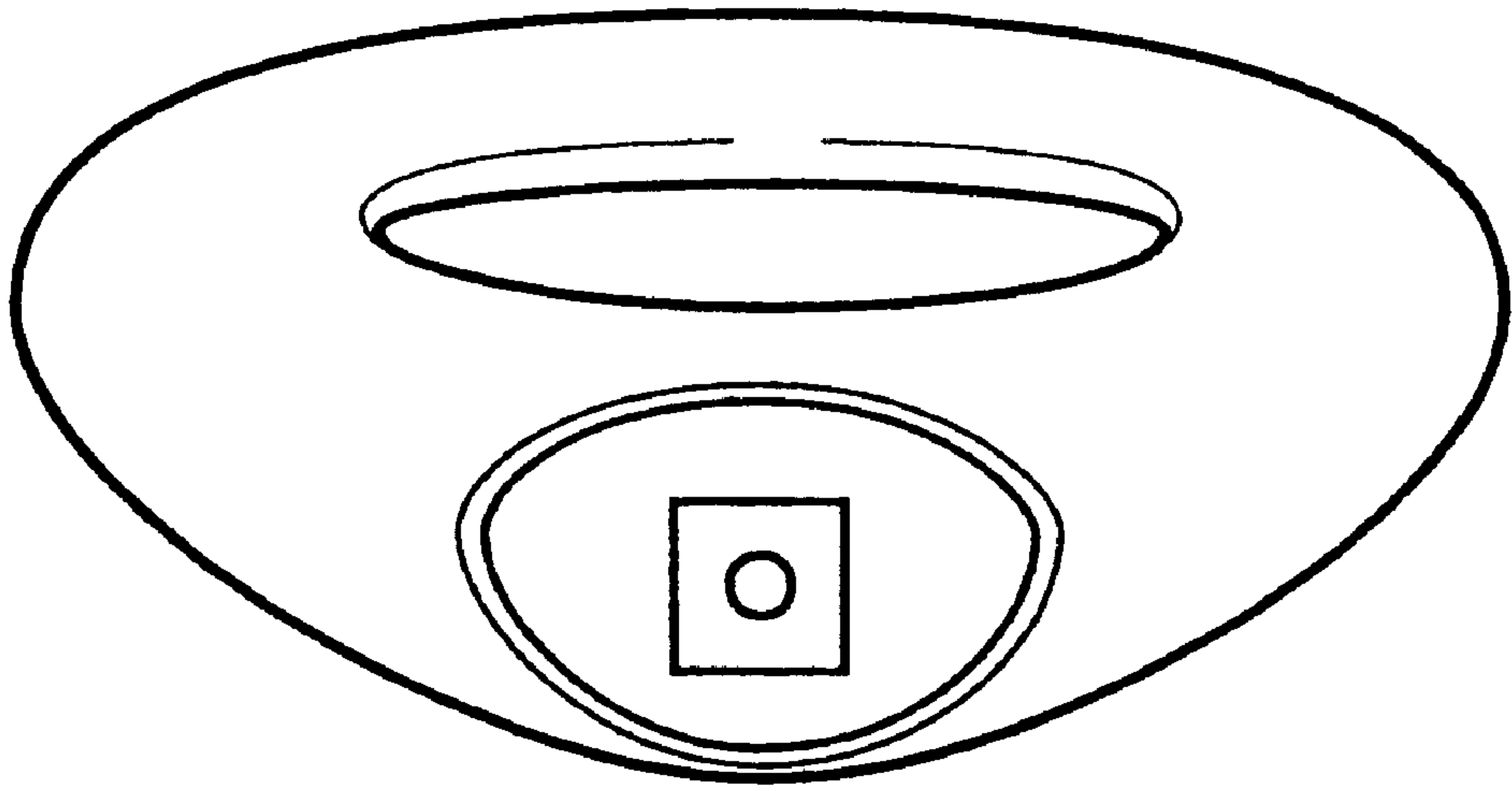


FIG. 3

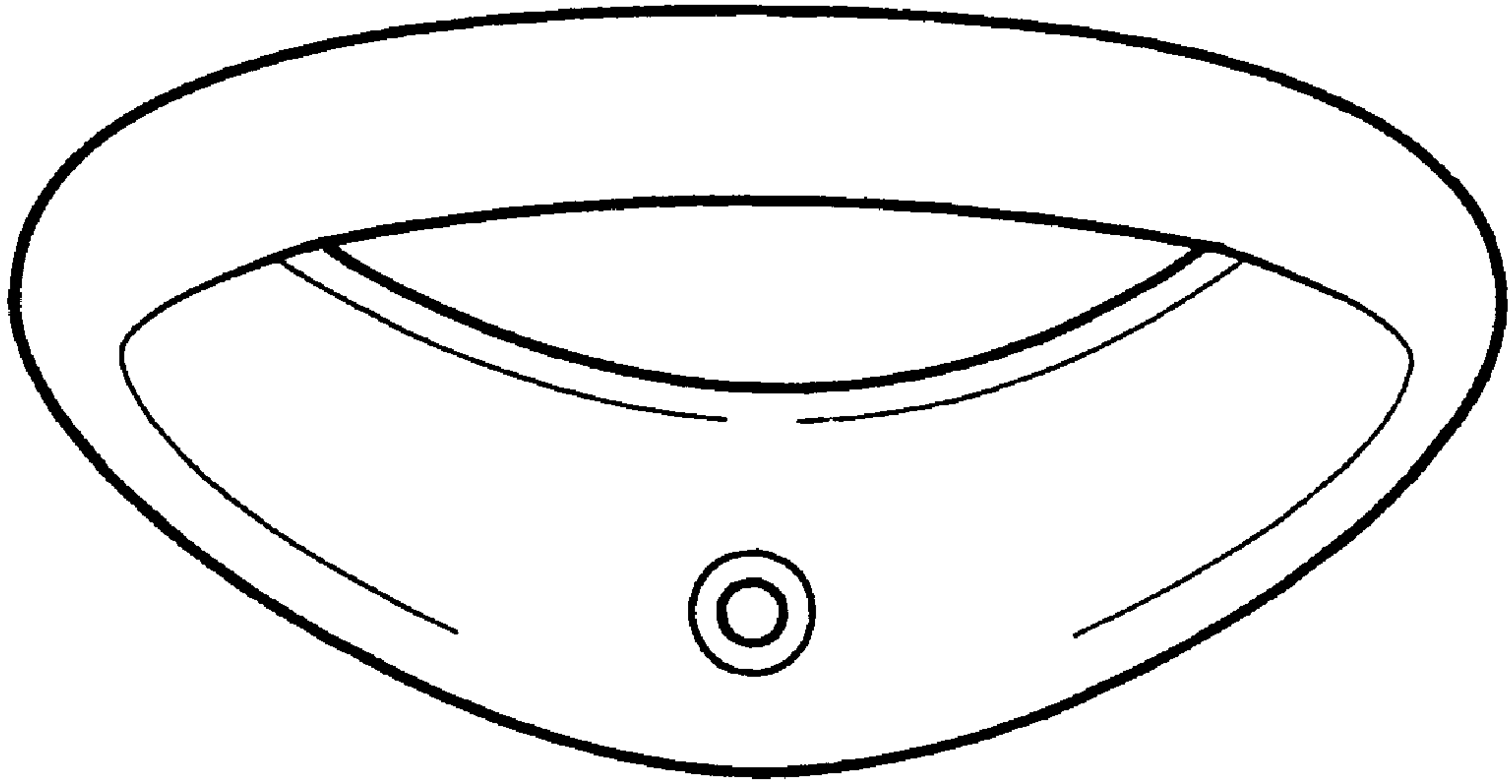


FIG. 4

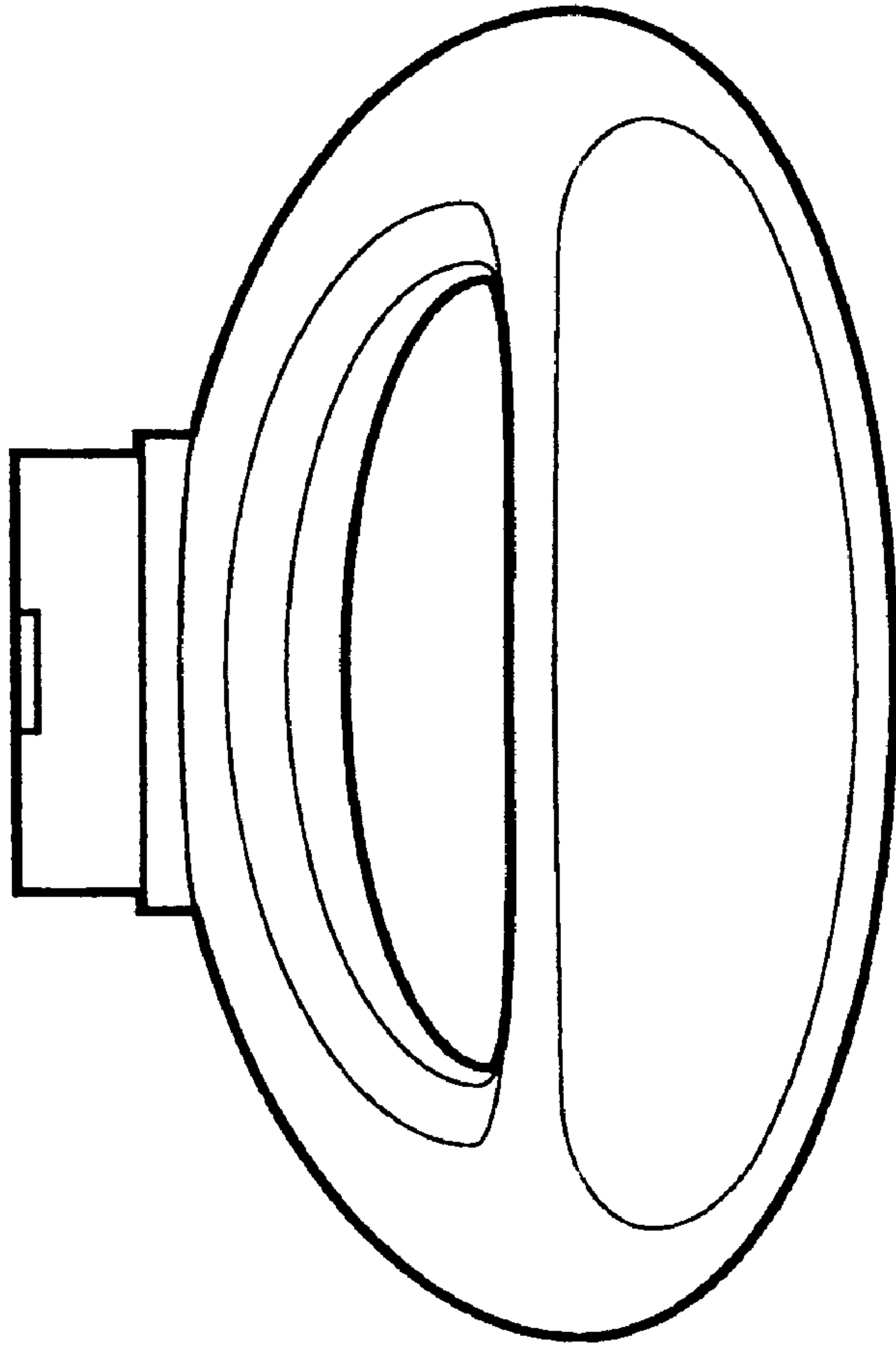


FIG. 5

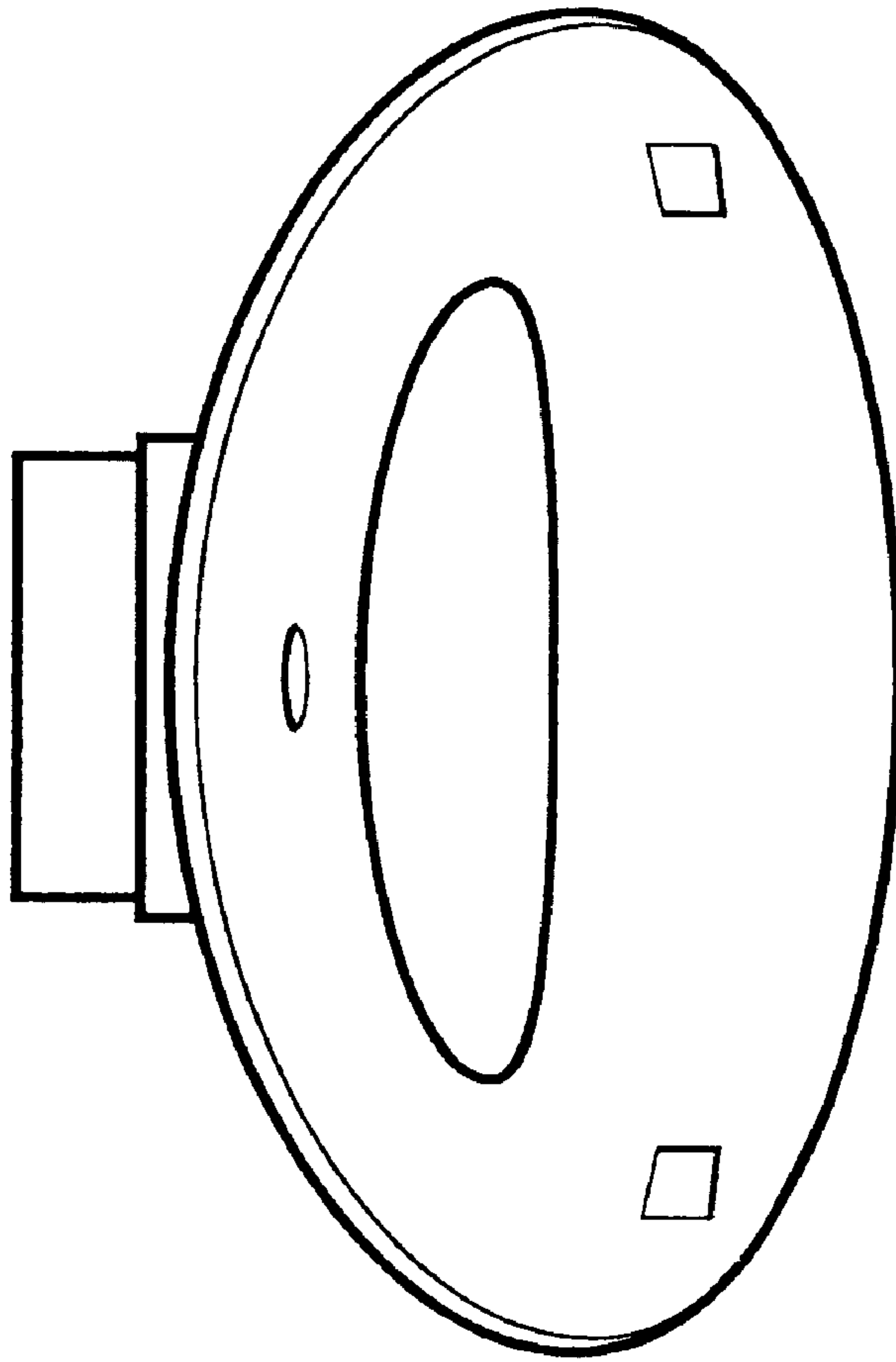


FIG. 6