



US00D461092S

(12) **United States Design Patent**
Coudurier

(10) **Patent No.:** **US D461,092 S**

(45) **Date of Patent:** **** Aug. 6, 2002**

(54) **HANDLE**

D410,817 S * 6/1999 Brunianyn D7/393

(75) Inventor: **Olivier Coudurier**, Marigny St. Marcel (FR)

* cited by examiner

(73) Assignee: **Tefal S.A.**, Rumilly (FR)

Primary Examiner—Terry A. Wallace

(74) *Attorney, Agent, or Firm*—Young & Thompson

(**) Term: **14 Years**

(57) **CLAIM**

(21) Appl. No.: **29/145,419**

The ornamental design for a handle, as shown and described.

(22) Filed: **Jul. 24, 2001**

DESCRIPTION

(30) **Foreign Application Priority Data**

Jan. 24, 2001 (FR) 01 0435

(51) **LOC (7) Cl.** **07-02**

(52) **U.S. Cl.** **D7/393**

(58) **Field of Search** D7/393-395, 401.2, D7/354-361; D8/107; 16/110.1, 430, 431, 436, 441, 444, DIG. 12, DIG. 18, DIG. 19; 220/752, 753, 755, 573.1

FIG. 1 is a top and side perspective view of a handle showing my new design;

FIG. 2 is a side elevational view thereof, the side opposite that shown in FIG. 2 being the mirror image thereof;

FIG. 3 is an elevational view thereof from the left of FIG. 2;

FIG. 4 is an elevational view thereof from the right of FIG. 2;

FIG. 5 is a top plan view thereof; and,

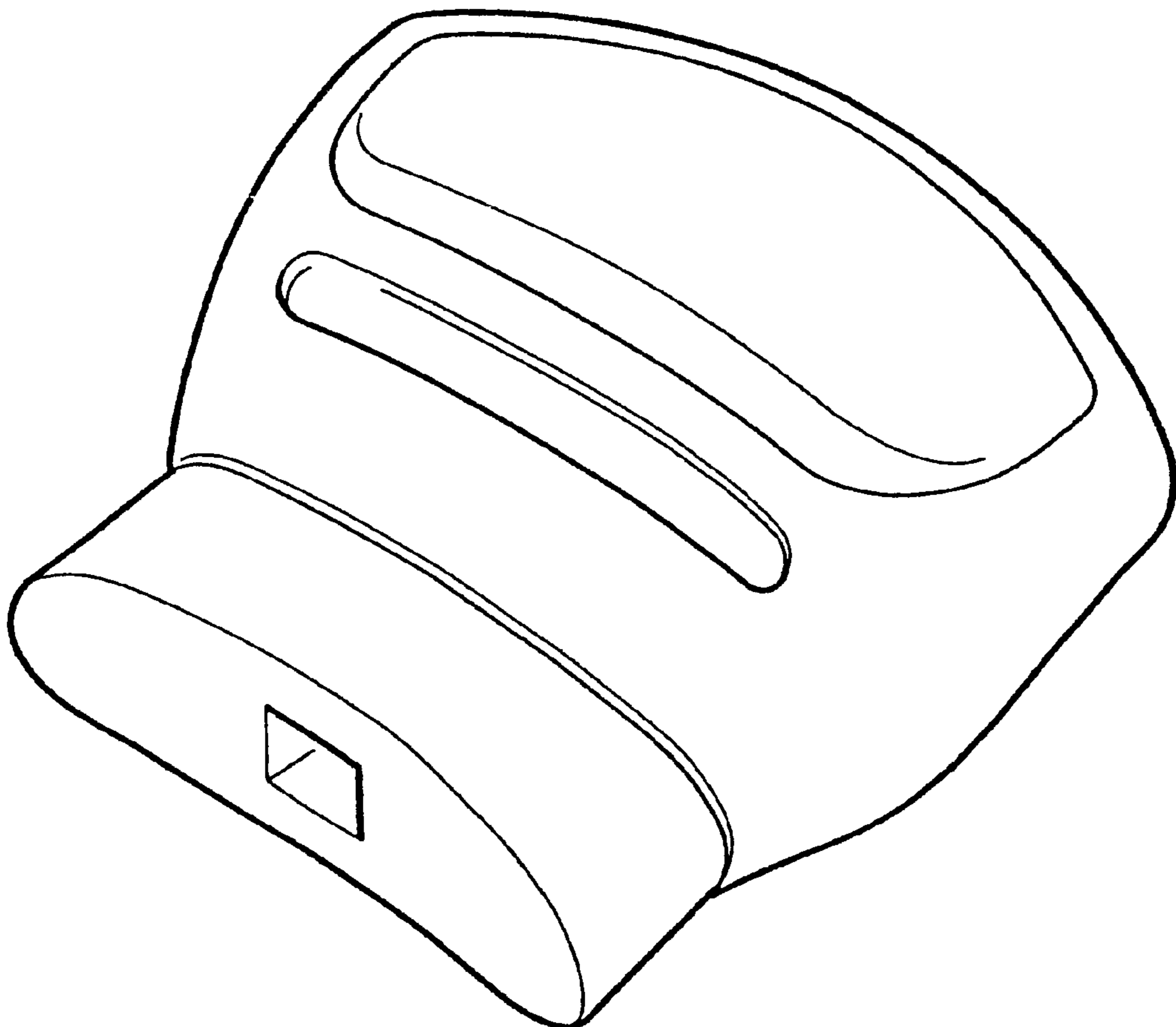
FIG. 6 is a bottom plan view thereof.

(56) **References Cited**

U.S. PATENT DOCUMENTS

D391,444 S * 3/1998 Munari D7/394

1 Claim, 4 Drawing Sheets



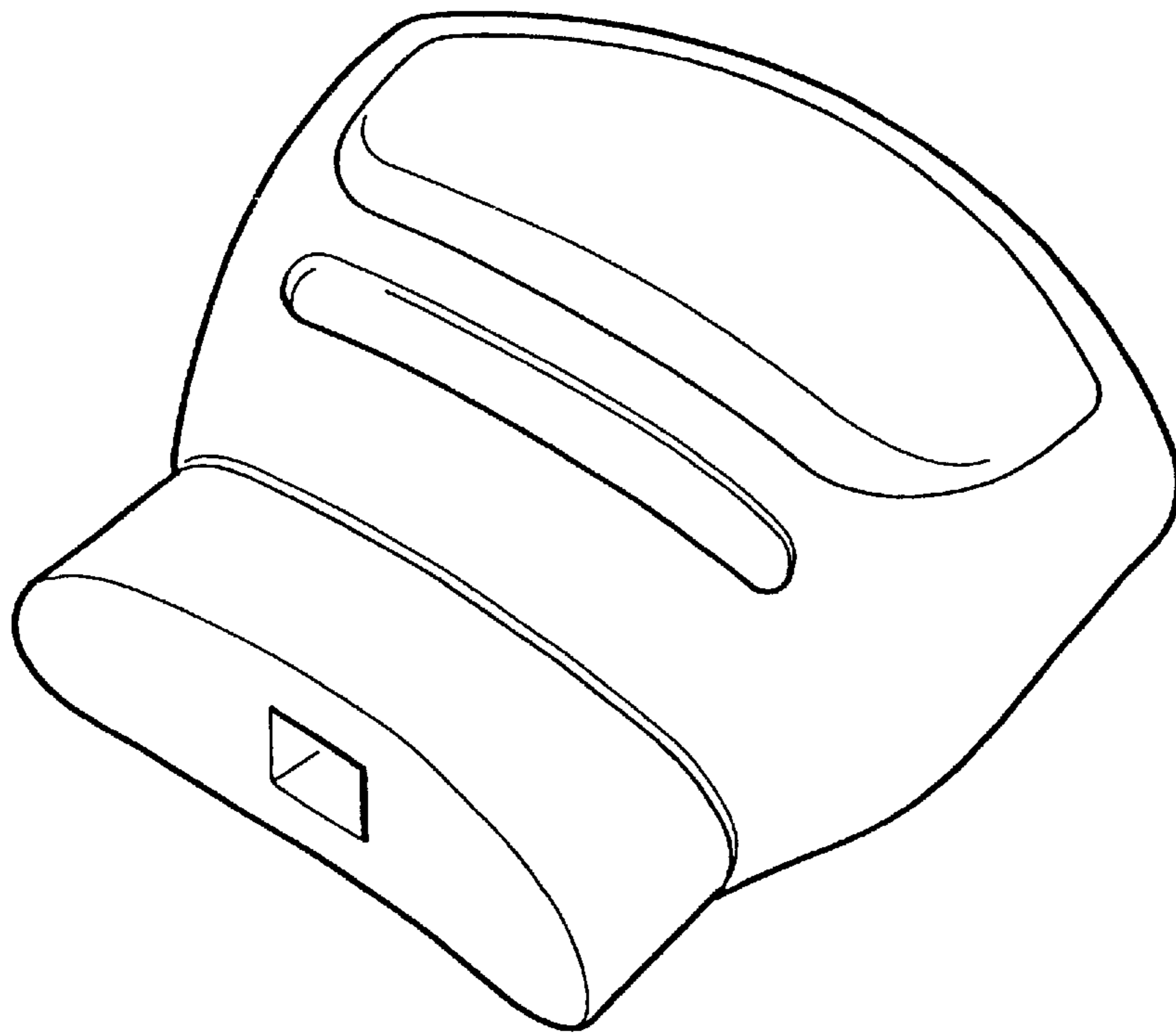


Fig. 1

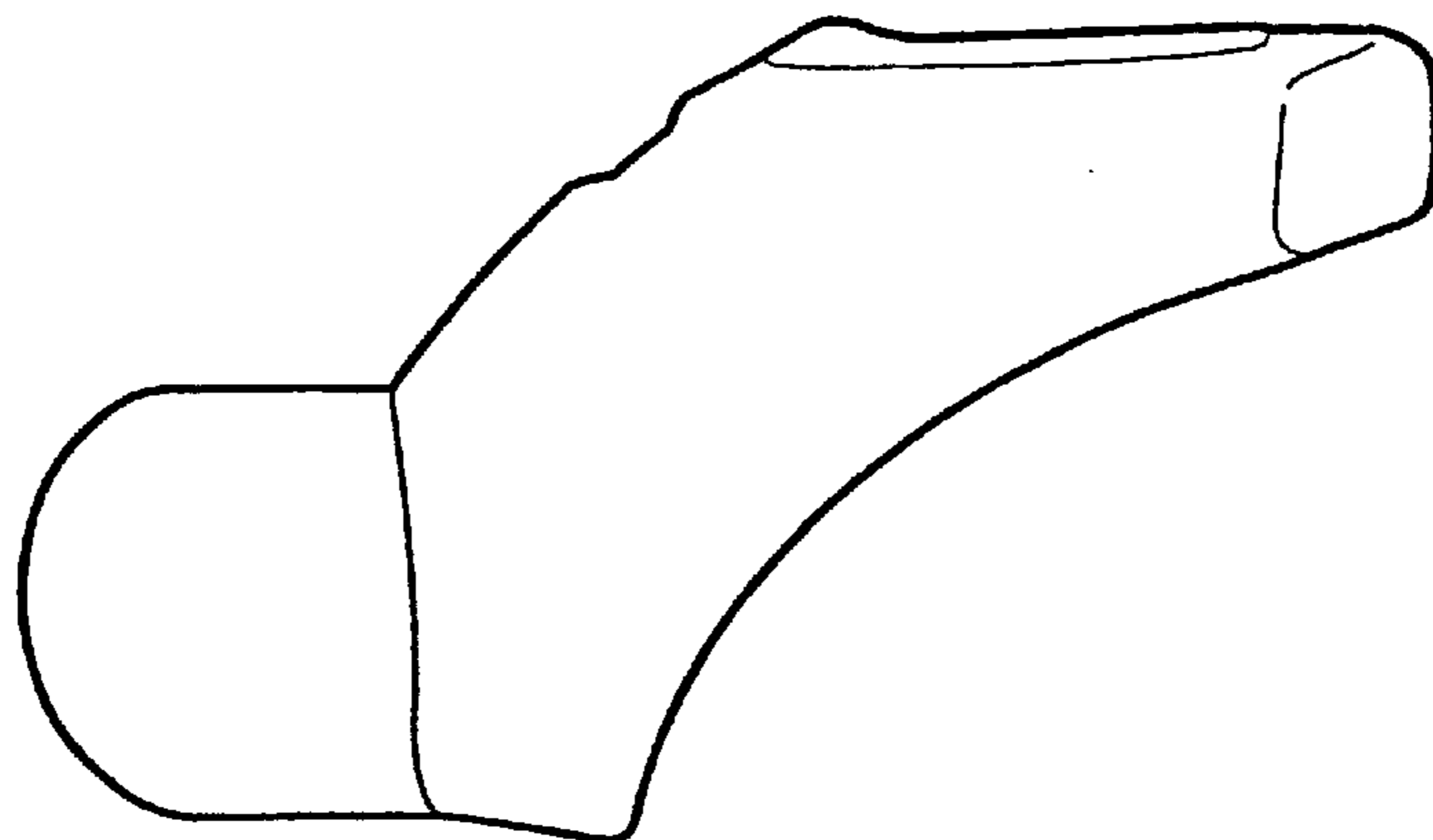


Fig. 2

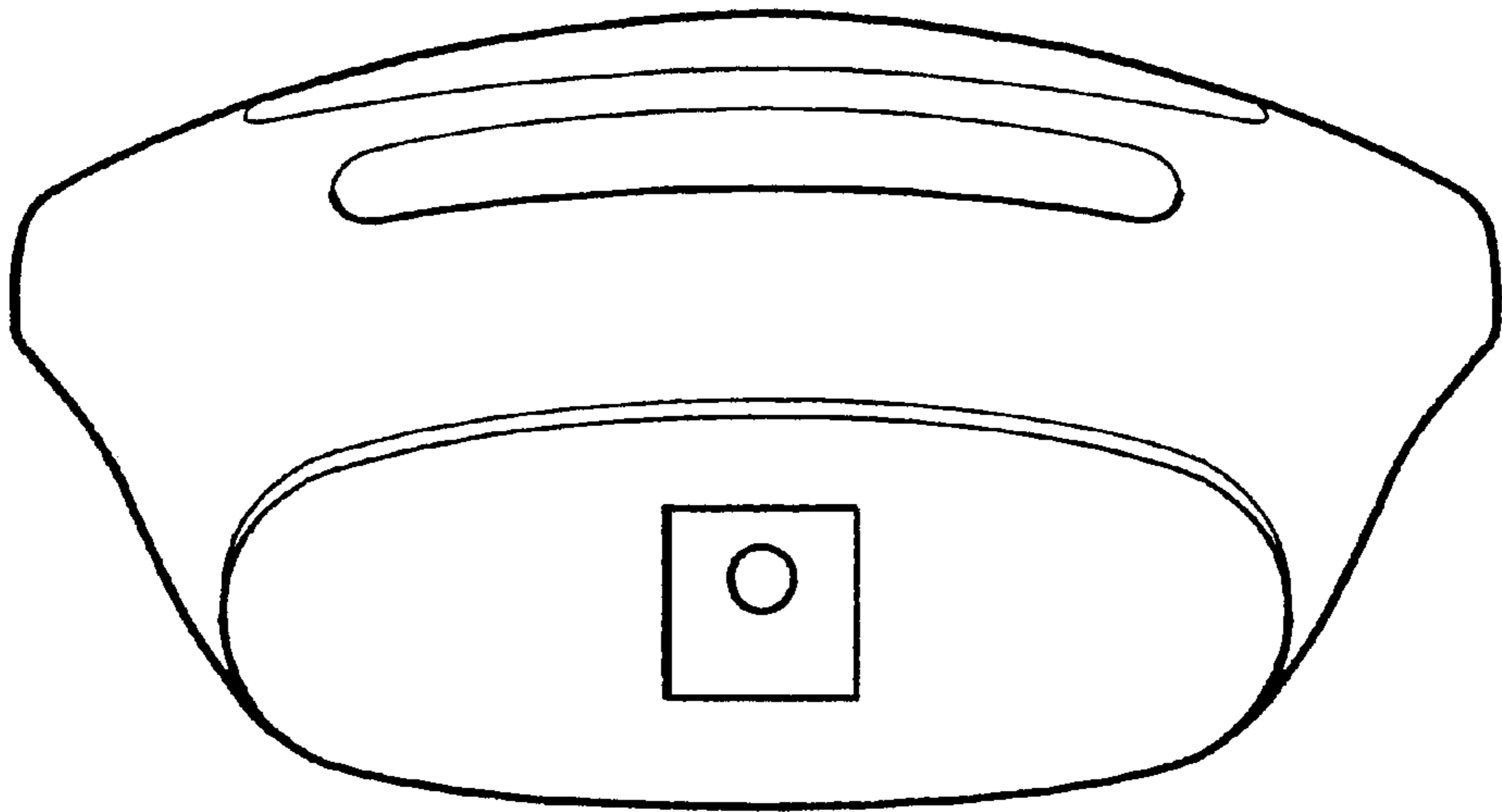


Fig. 3

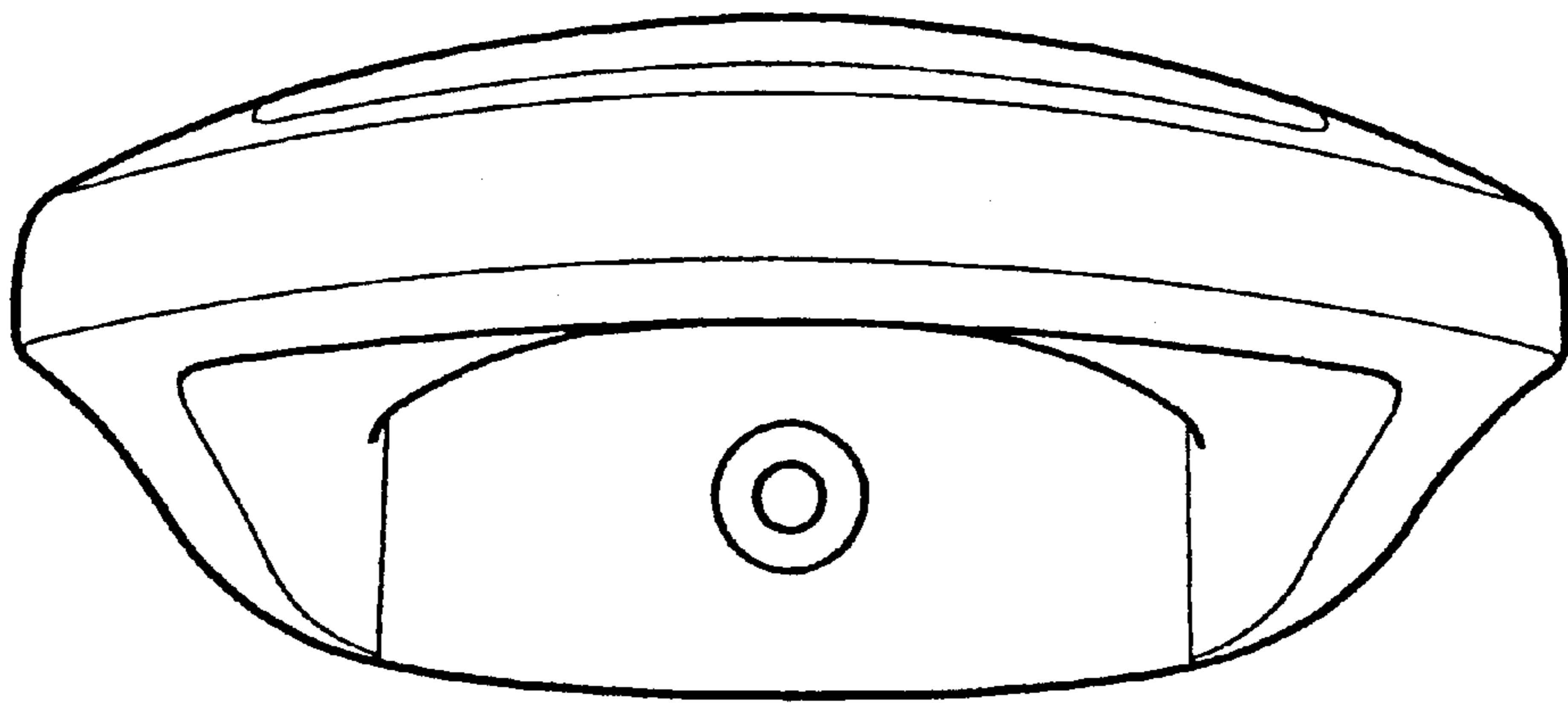


Fig. 4

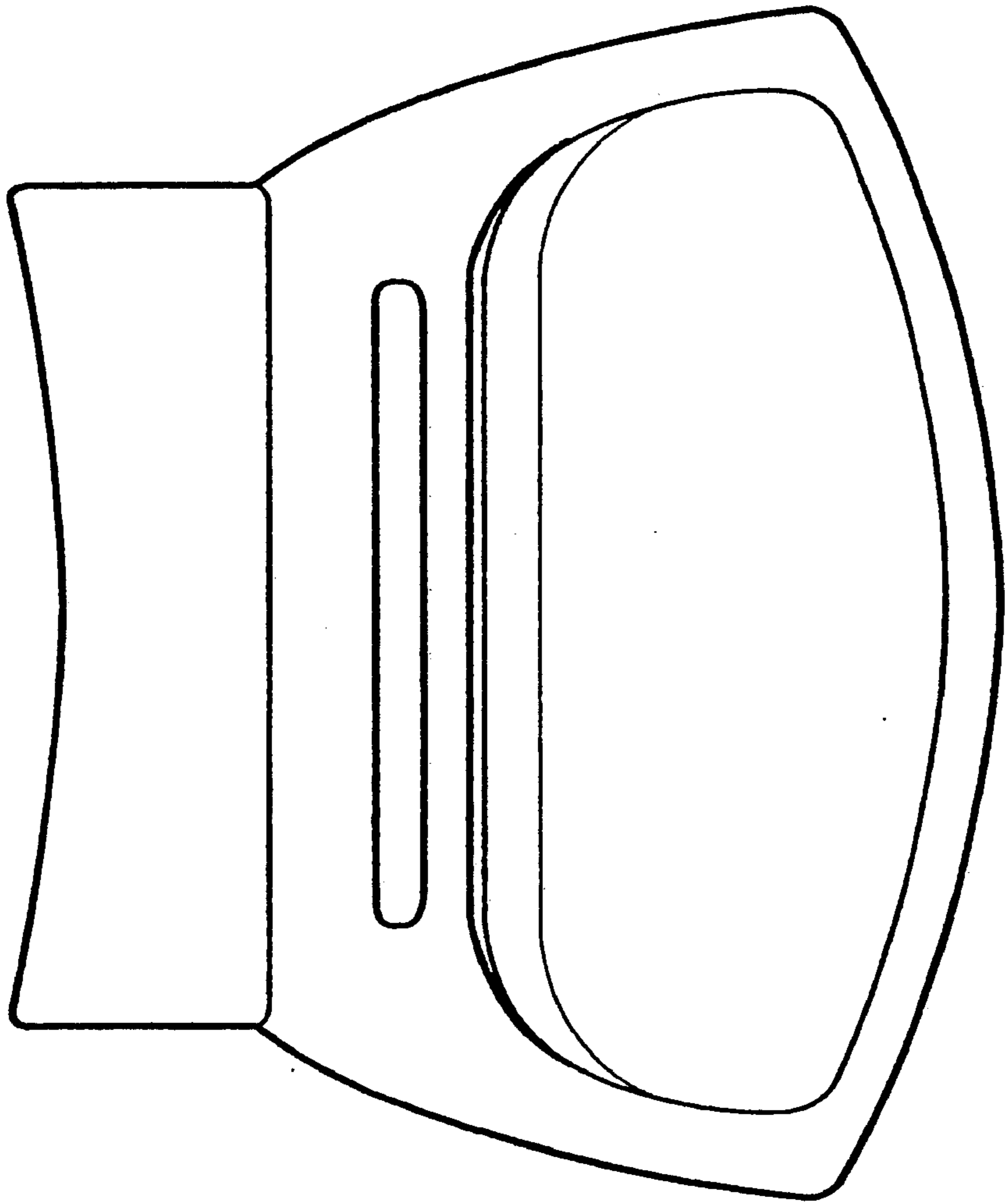


Fig. 5

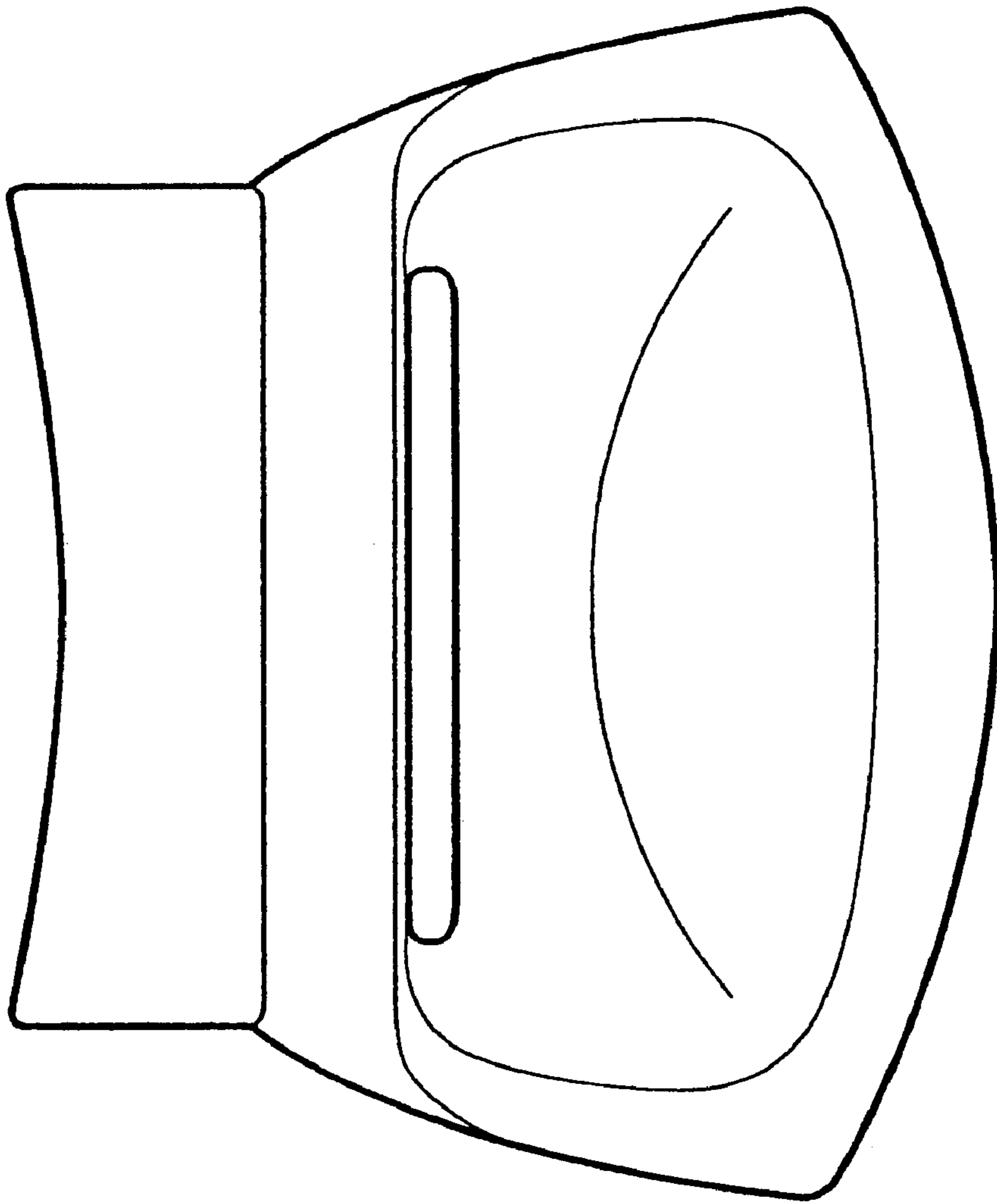


Fig. 6