



US00D461091S

(12) **United States Design Patent**  
**Chen**

(10) **Patent No.:** **US D461,091 S**

(45) **Date of Patent:** **\*\* Aug. 6, 2002**

(54) **ROASTER OVEN**

(76) Inventor: **Ying-Fu Chen**, No. 13, Kai Fa 2nd  
Road, Jen Teh Hsiang, Tainan Hsien  
(TW)

(\*\*) Term: **14 Years**

(21) Appl. No.: **29/153,861**

(22) Filed: **Jan. 15, 2002**

(51) **LOC (7) Cl.** ..... **07-02**

(52) **U.S. Cl.** ..... **D7/350.4**

(58) **Field of Search** ..... D7/350.1, 350.3,  
D7/350.4, 351, 402, 405-406; 126/273 A,  
275, 275 E, 19 M, 21 R; 219/678, 756-758;  
99/DIG. 14, 341

(56) **References Cited**

**U.S. PATENT DOCUMENTS**

D336,814 S	*	6/1993	Brookshire	.....	D7/350
D380,643 S	*	7/1997	Piret	.....	D7/350
D386,938 S	*	12/1997	Piret	.....	D7/350
D412,637 S	*	8/1999	Piret	.....	D7/350

D415,926 S	*	11/1999	De'Longhi	.....	D7/350
D420,245 S	*	2/2000	De'Longhi	.....	D7/351
D444,992 S	*	7/2001	Brady et al.	.....	D7/350
D446,418 S	*	8/2001	Cruz	.....	D7/350.4
D451,752 S	*	12/2001	Davis et al.	.....	D7/350.4

\* cited by examiner

*Primary Examiner*—Ruth McInroy

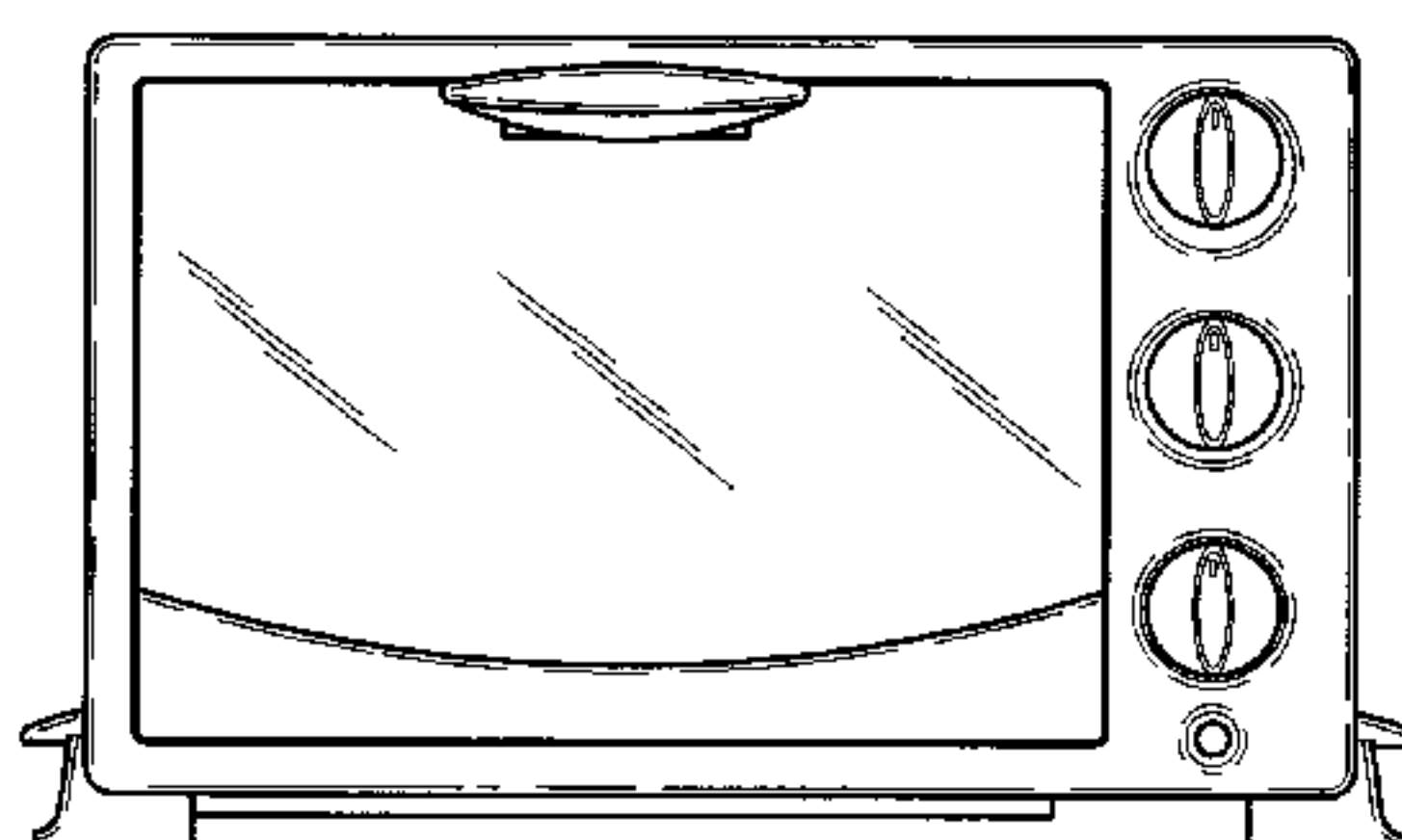
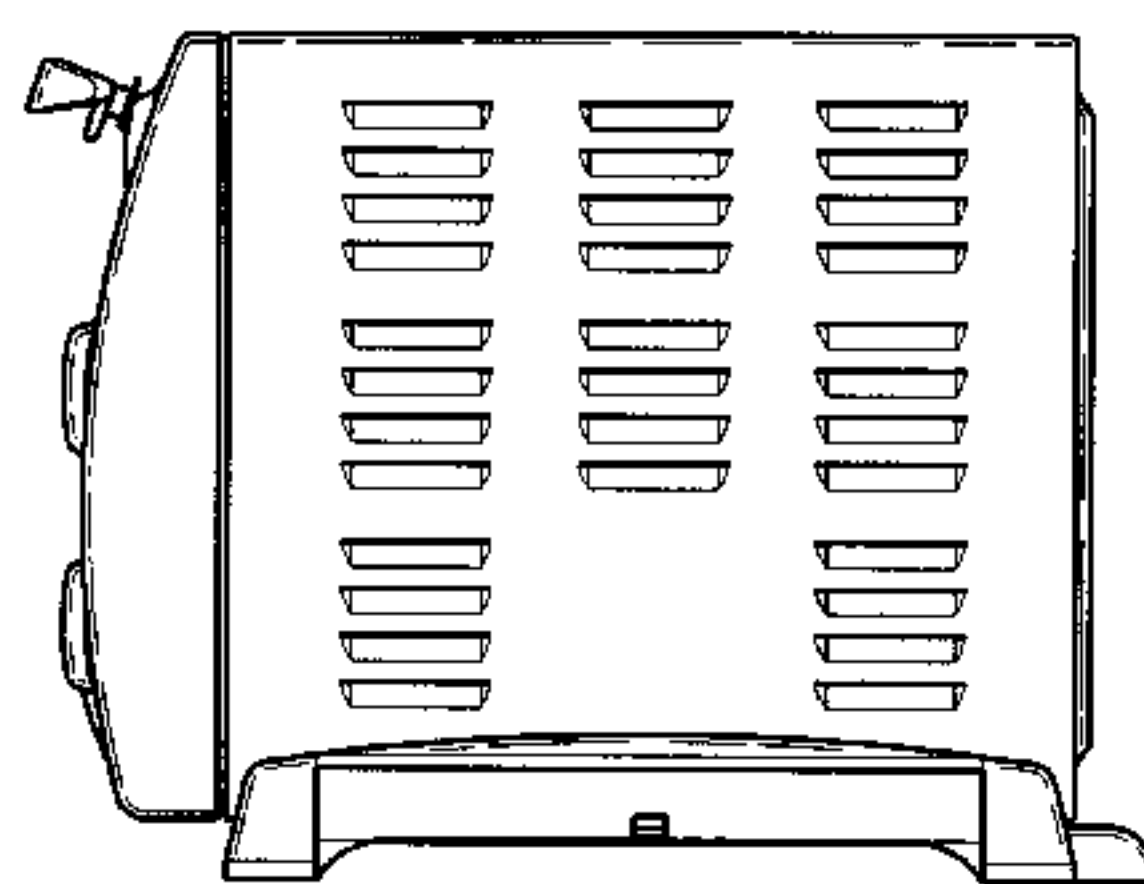
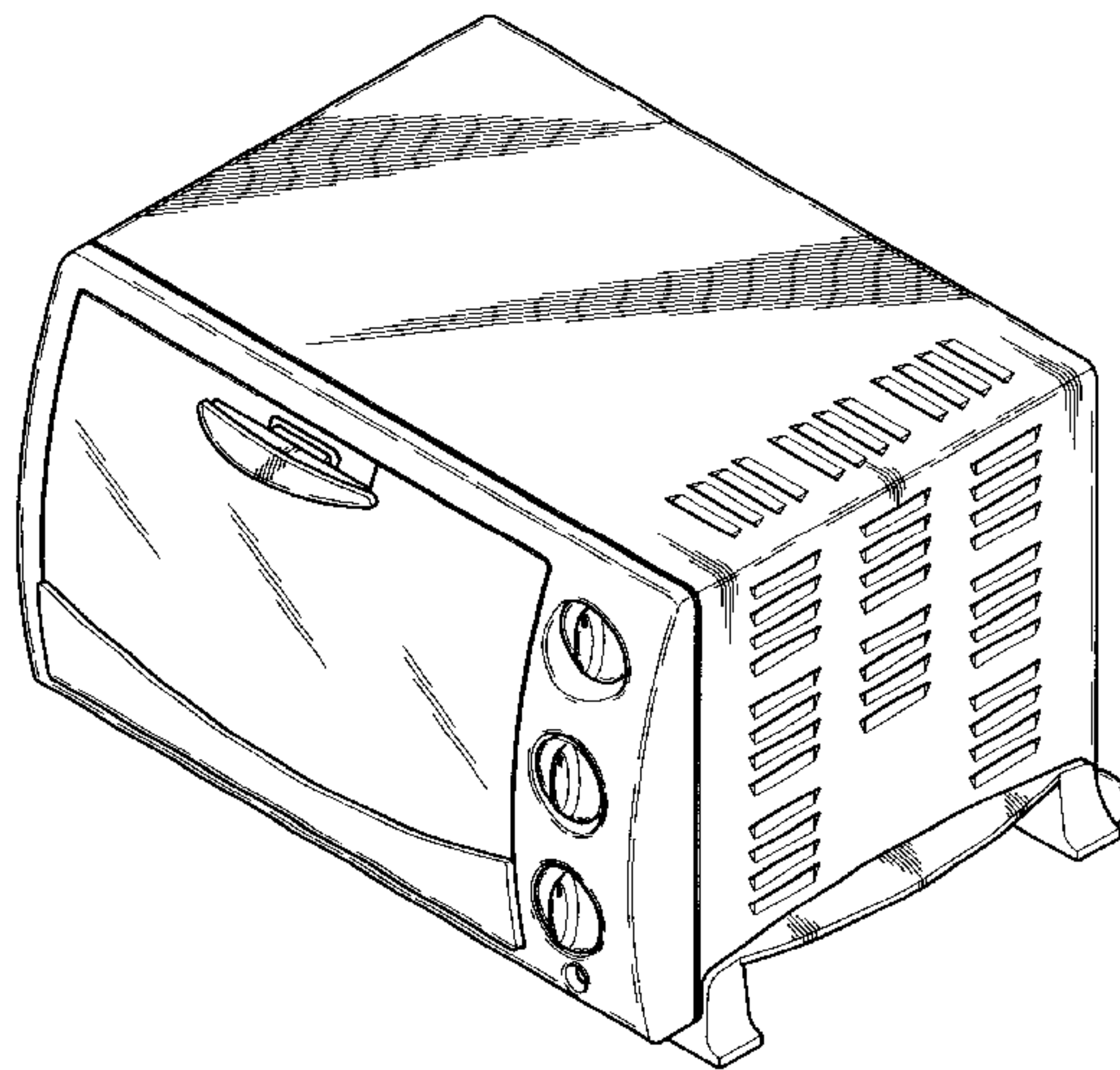
(57) **CLAIM**

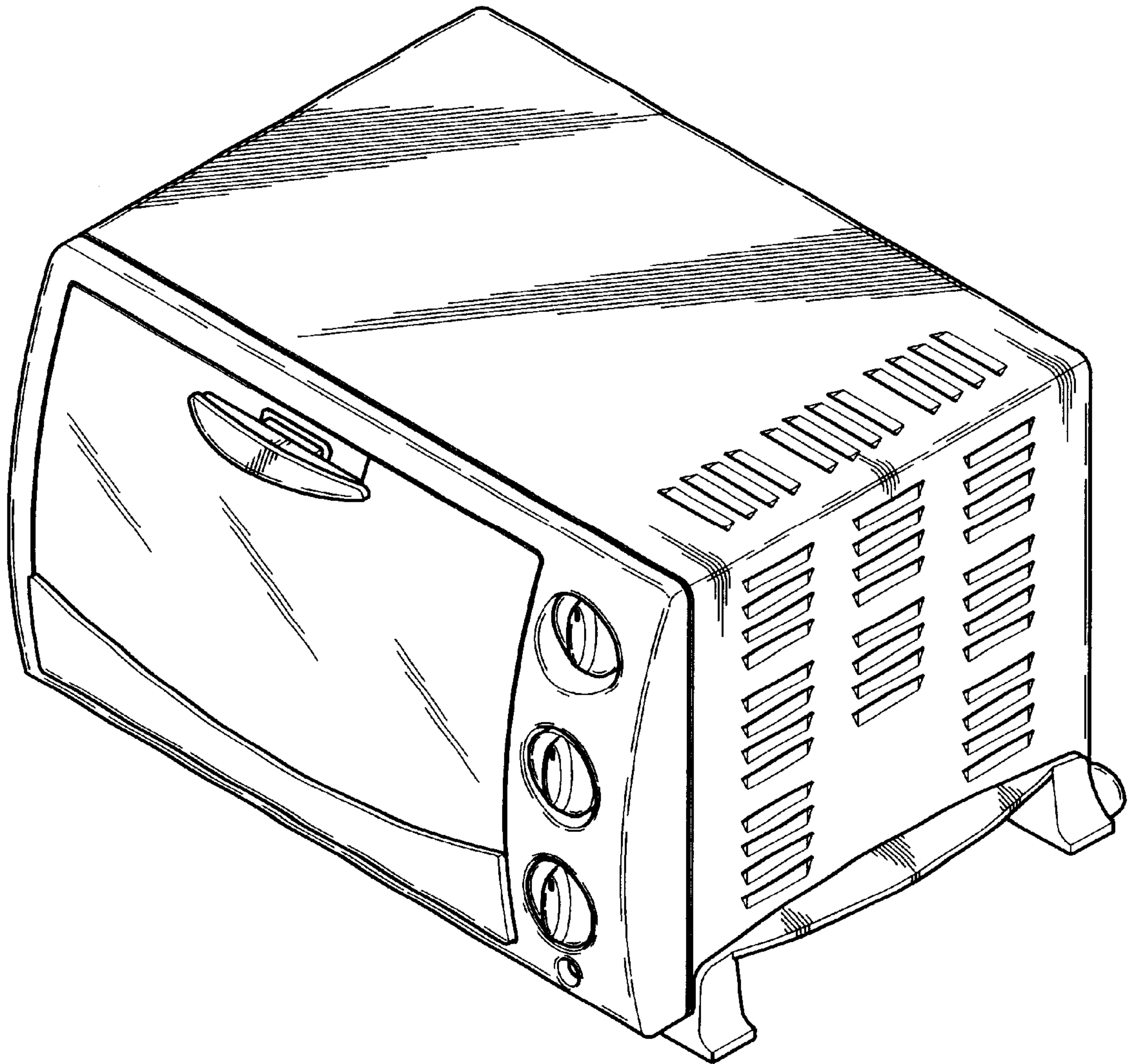
The ornamental design for a roaster oven, as shown and described.

**DESCRIPTION**

FIG. 1 is a perspective view of a roaster oven showing my new design;  
FIG. 2 is a right side elevational view thereof;  
FIG. 3 is a top plan view thereof;  
FIG. 4 is a front elevational view thereof;  
FIG. 5 is a bottom plan view thereof;  
FIG. 6 is a left side elevational view thereof; and,  
FIG. 7 is a rear elevational view.

**1 Claim, 4 Drawing Sheets**





*FIG. 1*

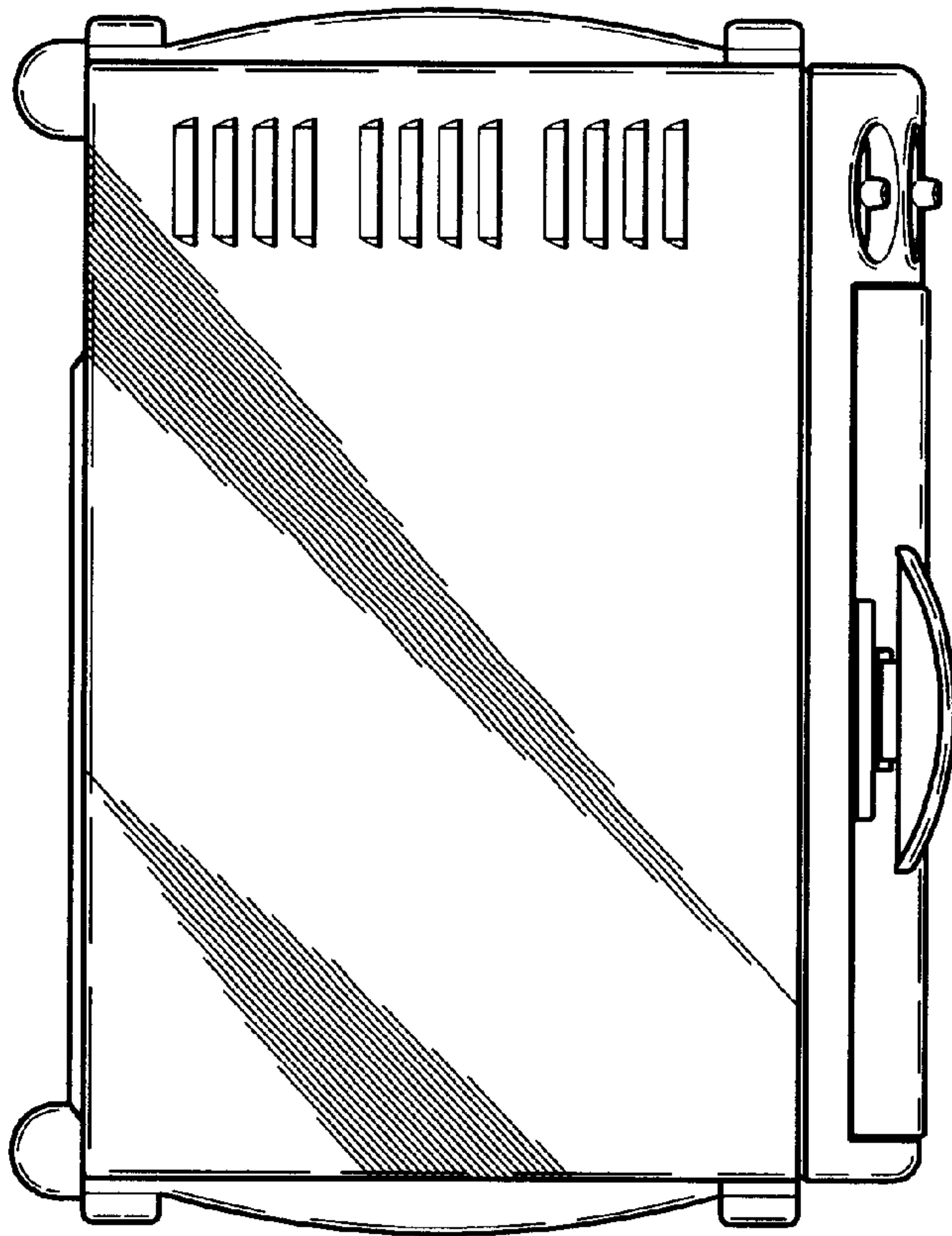


FIG. 3

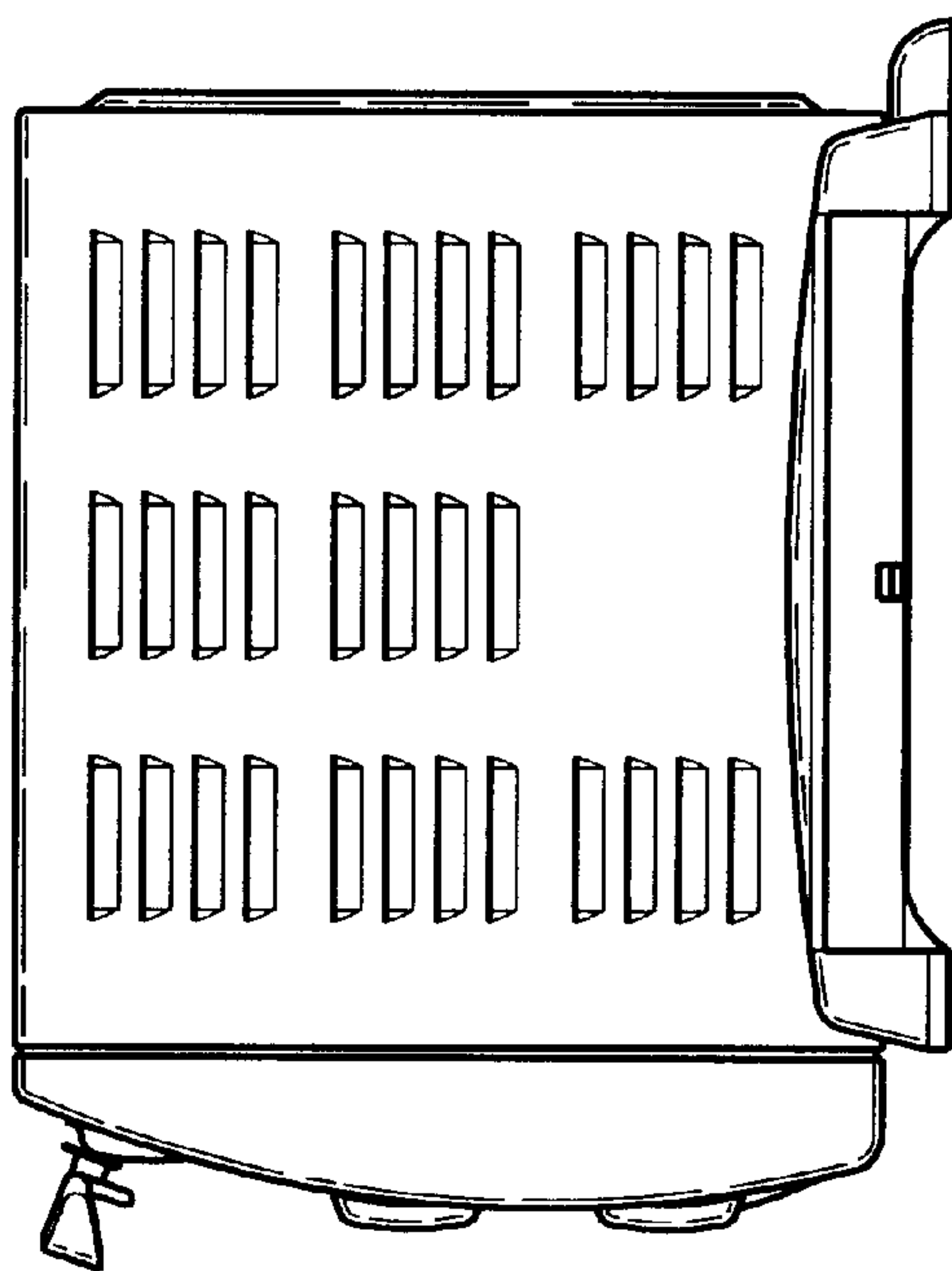


FIG. 2

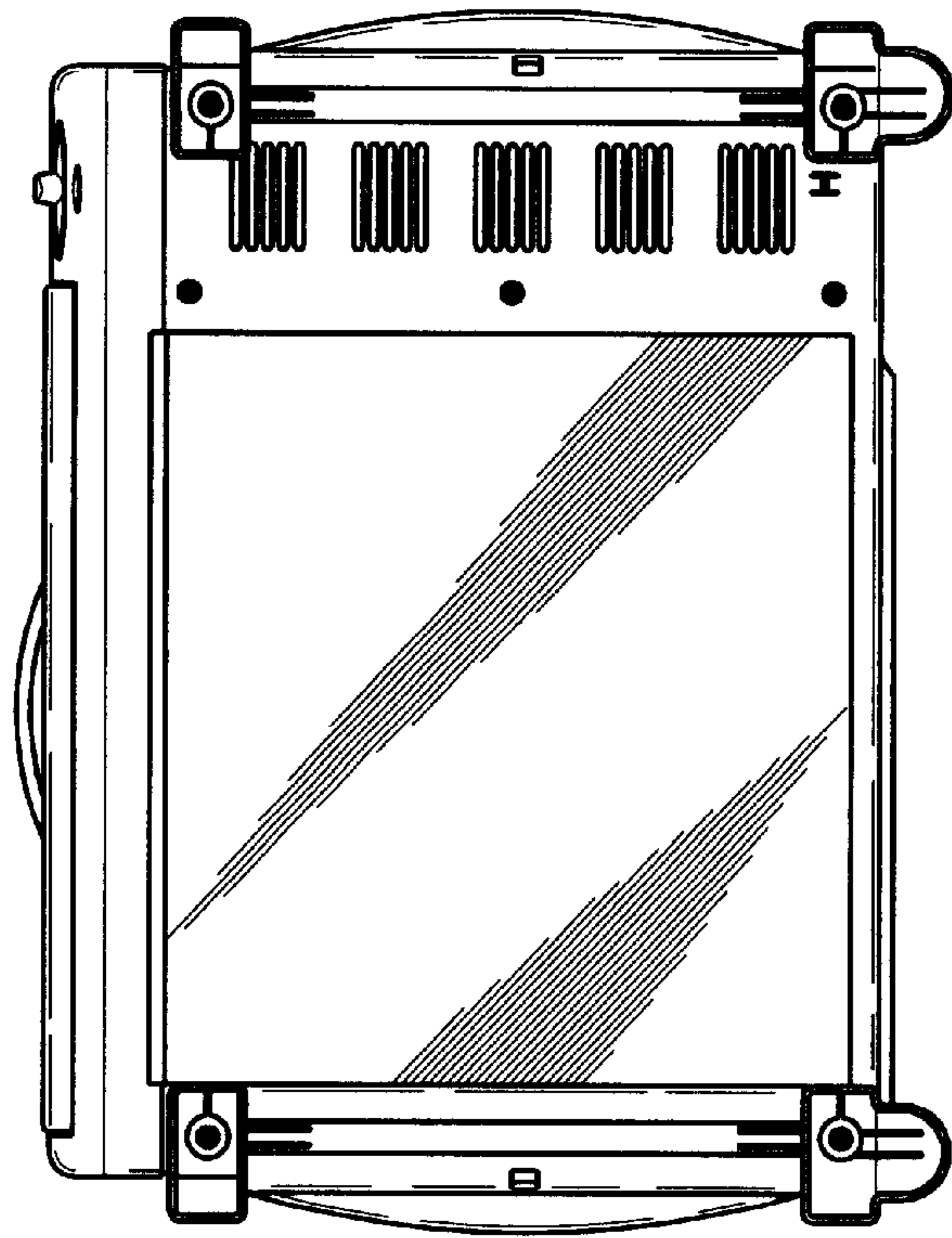


FIG. 5

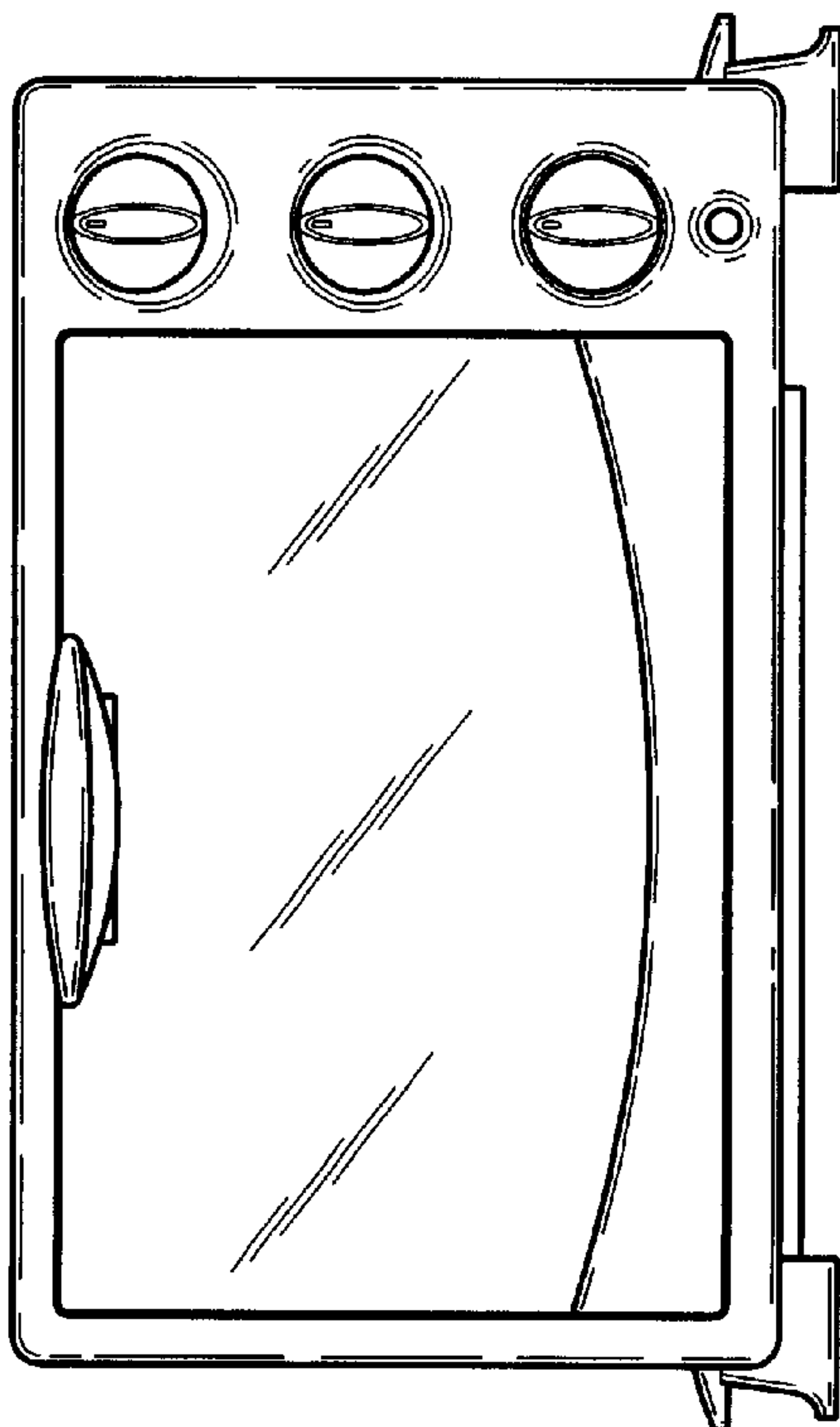


FIG. 4



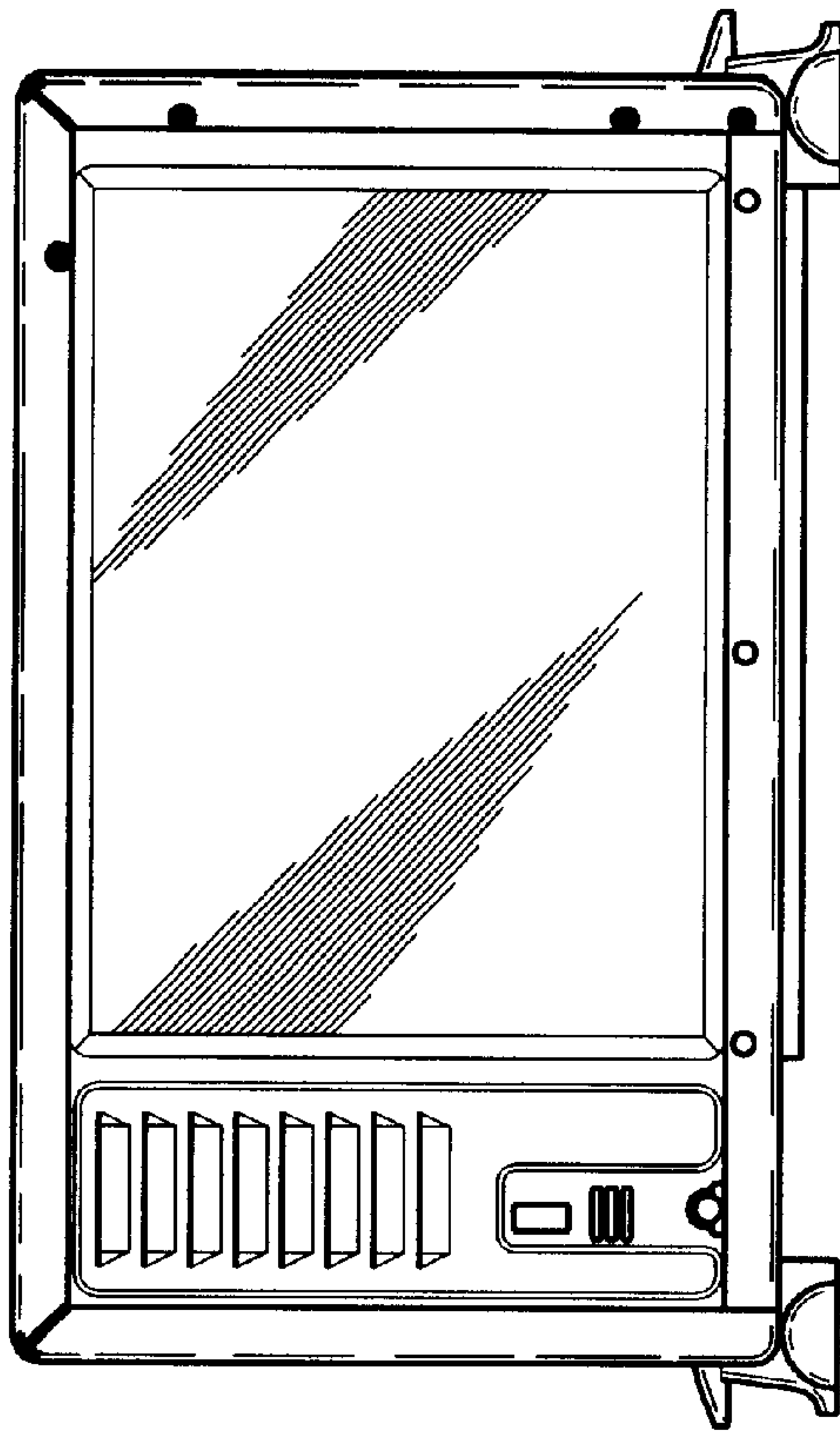


FIG. 7

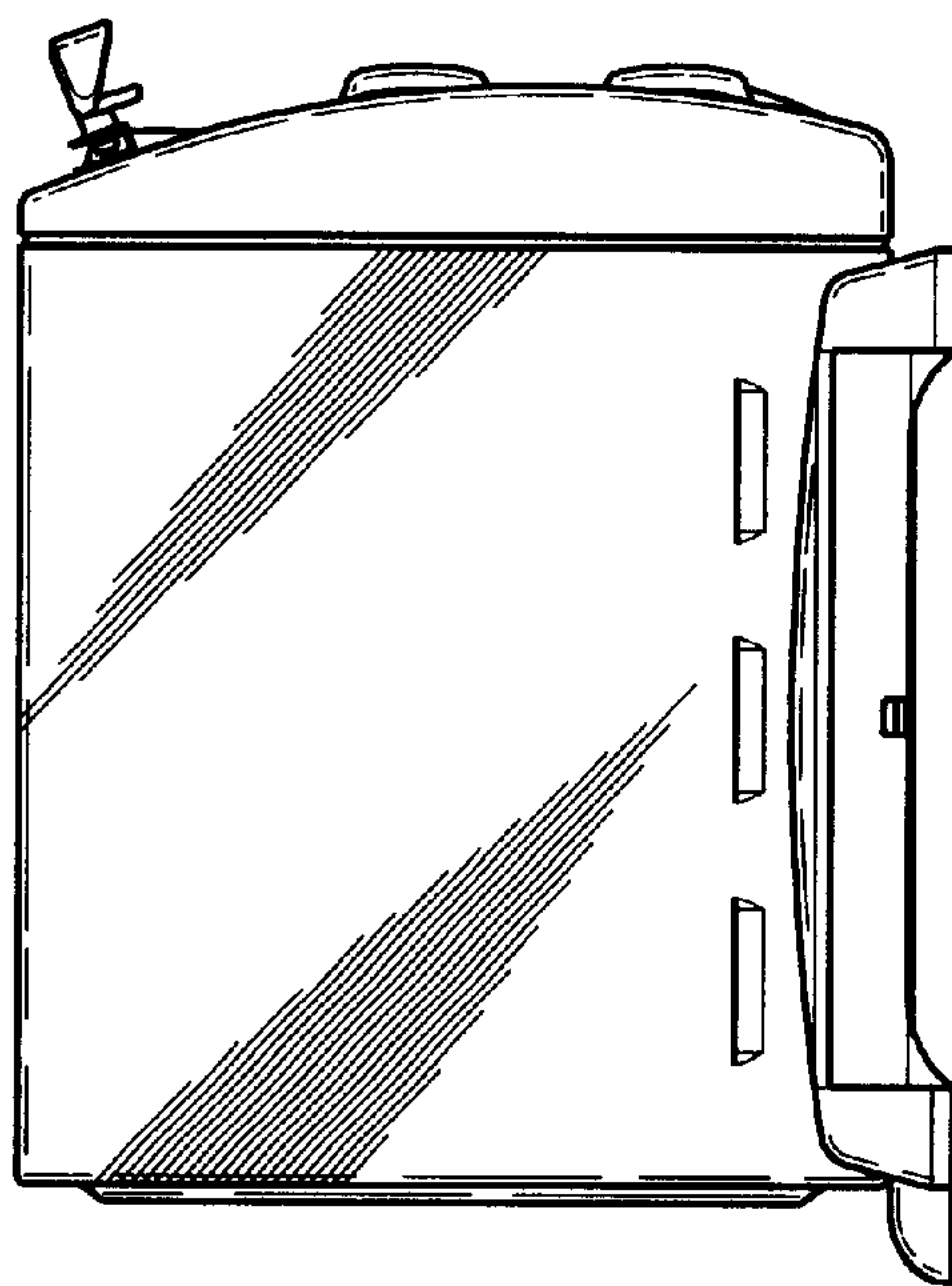


FIG. 6