



US00D461088S

(12) **United States Design Patent**  
**Cheah et al.**

(10) **Patent No.:** **US D461,088 S**

(45) **Date of Patent:** **\*\* Aug. 6, 2002**

(54) **TOASTER**

(75) Inventors: **Aik Pin Cheah**, Wheelers Hill; **Marc Anthony Fraser**, Blackburn, both of (AU)

(73) Assignee: **Mistral International Pty Ltd.**, Dandenong (AU)

(\*\*) Term: **14 Years**

(21) Appl. No.: **29/147,493**

(22) Filed: **Aug. 30, 2001**

(30) **Foreign Application Priority Data**

Mar. 30, 2001 (AU) ..... 1055/2001

(51) **LOC (7) Cl.** ..... **07-02**

(52) **U.S. Cl.** ..... **D7/330**

(58) **Field of Search** ..... D7/328-330, 390;  
99/331-335, 372, 385, 389

(56) **References Cited**

**U.S. PATENT DOCUMENTS**

D112,252 S \* 11/1938 Hadley ..... D7/328

D383,352 S \* 9/1997 Powel ..... D7/330

D401,472 S \* 11/1998 Gould ..... D7/330

6,205,911 B1 \* 3/2001 Ochoa ..... 99/331

\* cited by examiner

*Primary Examiner*—Caron D. Veynar

(74) *Attorney, Agent, or Firm*—Klauber & Jackson

(57) **CLAIM**

The ornamental design for a toaster, as shown.

**DESCRIPTION**

FIG. 1 is a right front perspective view of a toaster showing our new design;

FIG. 2 is a left rear perspective view thereof;

FIG. 3 is a top view thereof;

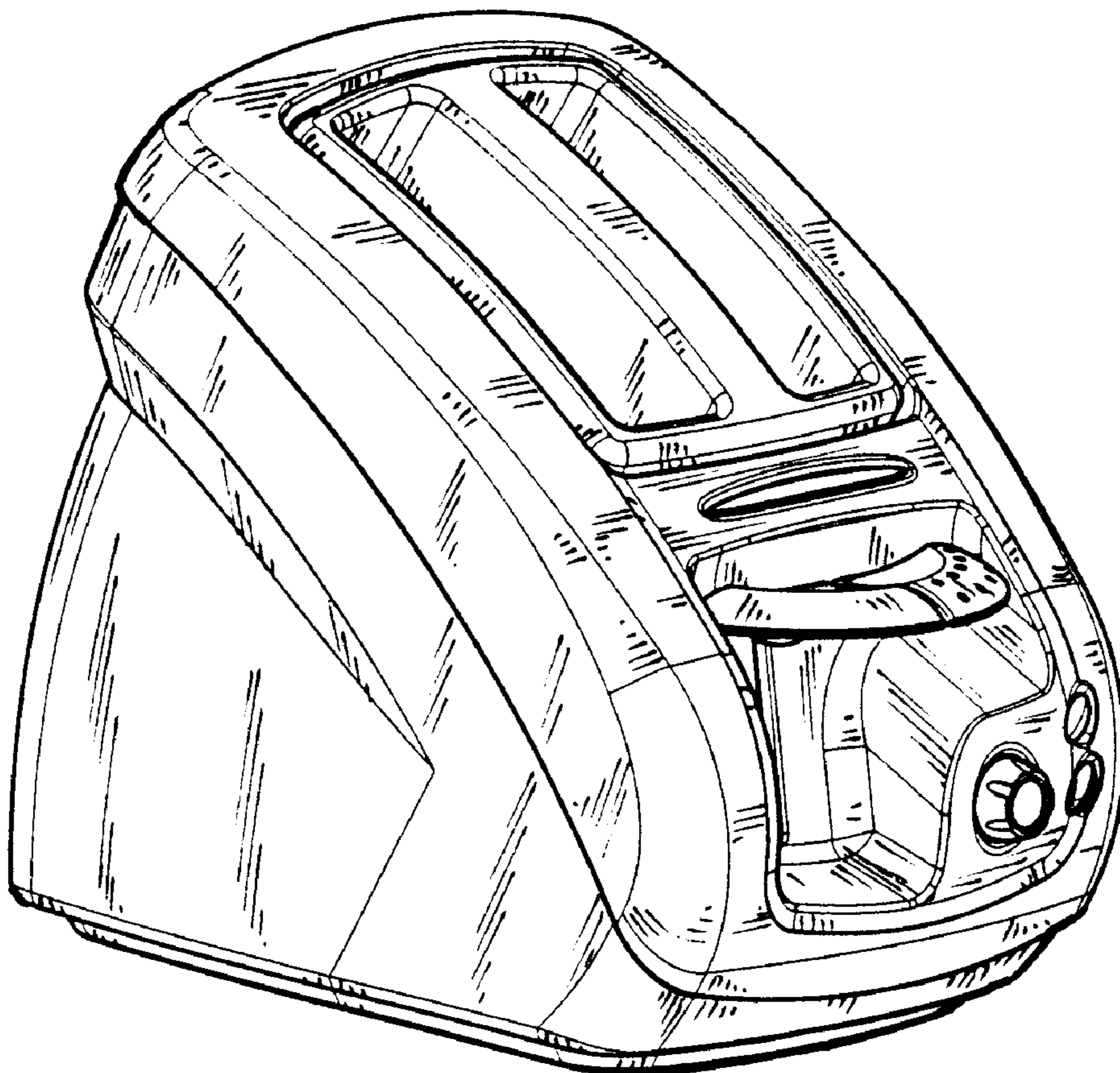
FIG. 4 is a front view thereof;

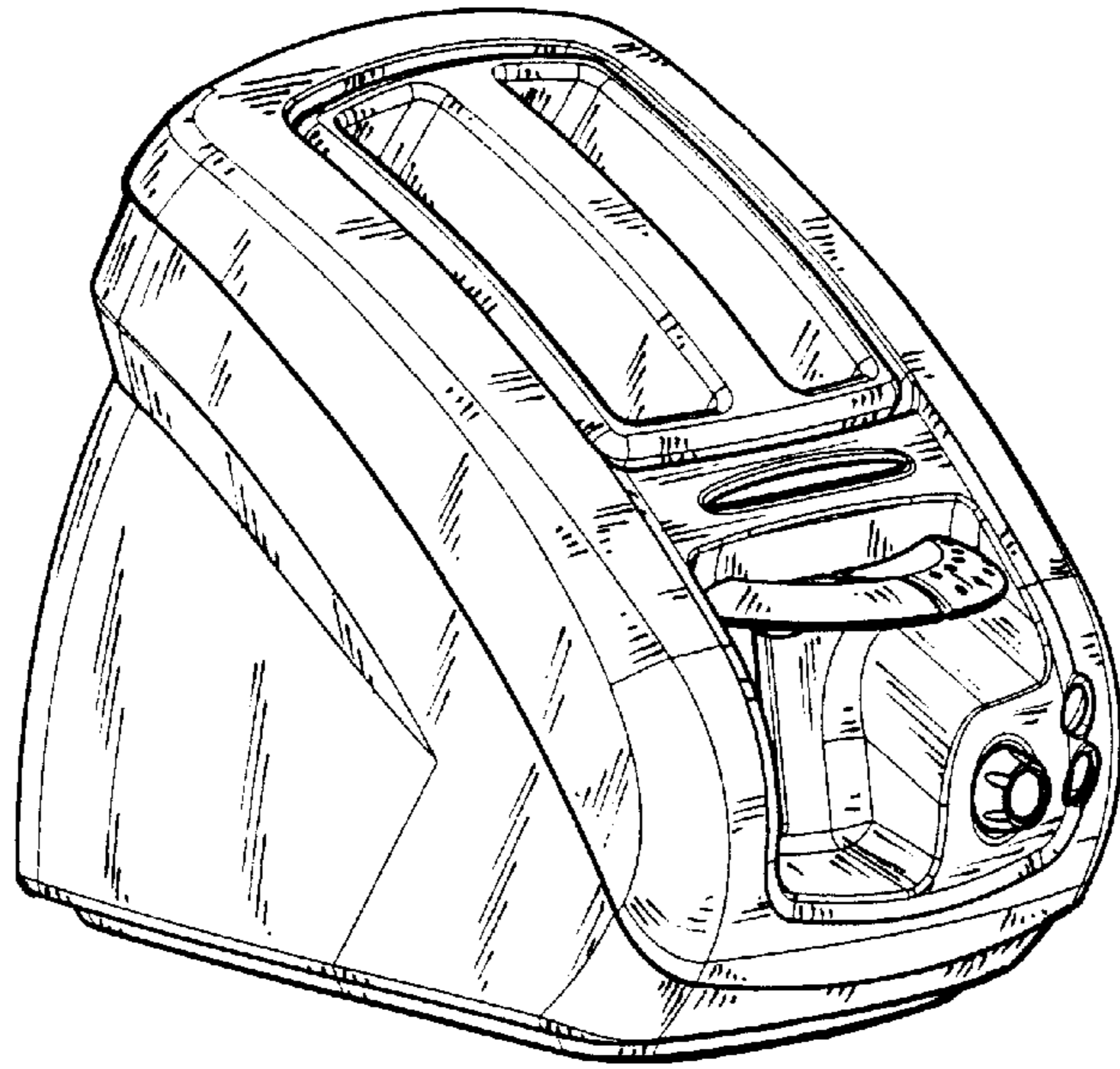
FIG. 5 is a left side view thereof, the right side being the mirror image thereof;

FIG. 6 is a rear view thereof; and,

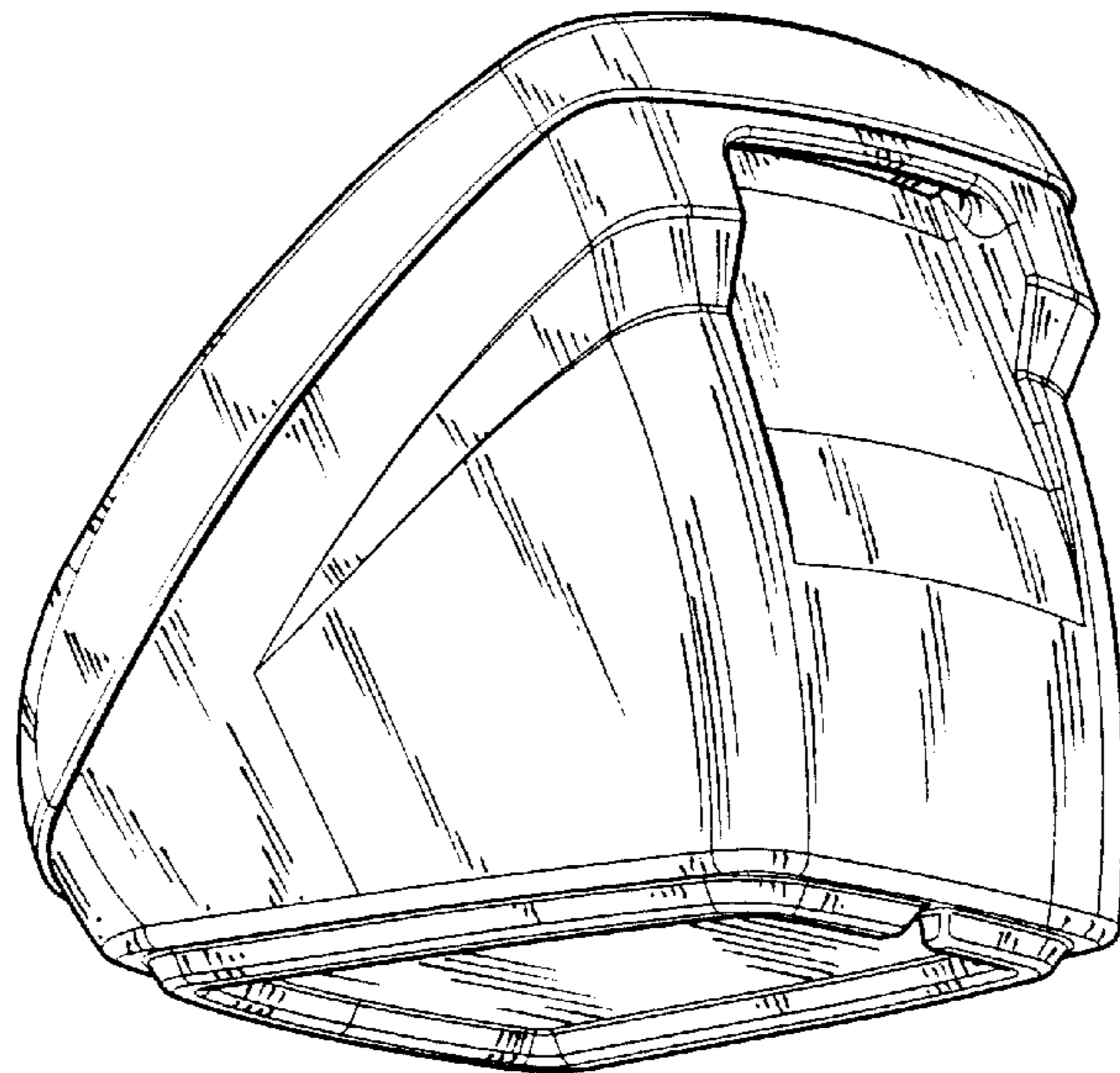
FIG. 7 is a bottom view thereof.

**1 Claim, 2 Drawing Sheets**





**Fig 1**



**Fig 2**

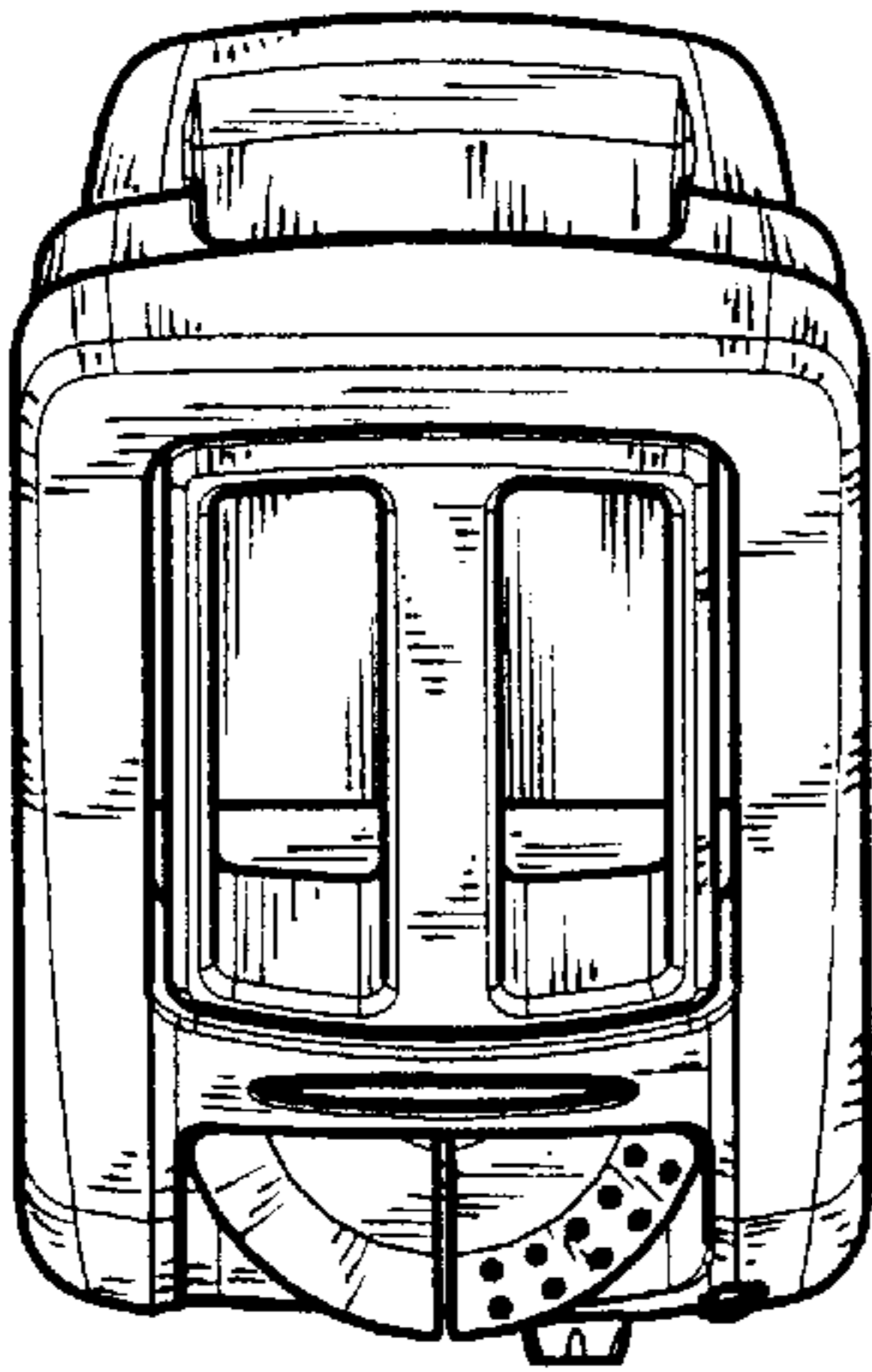


Fig 3

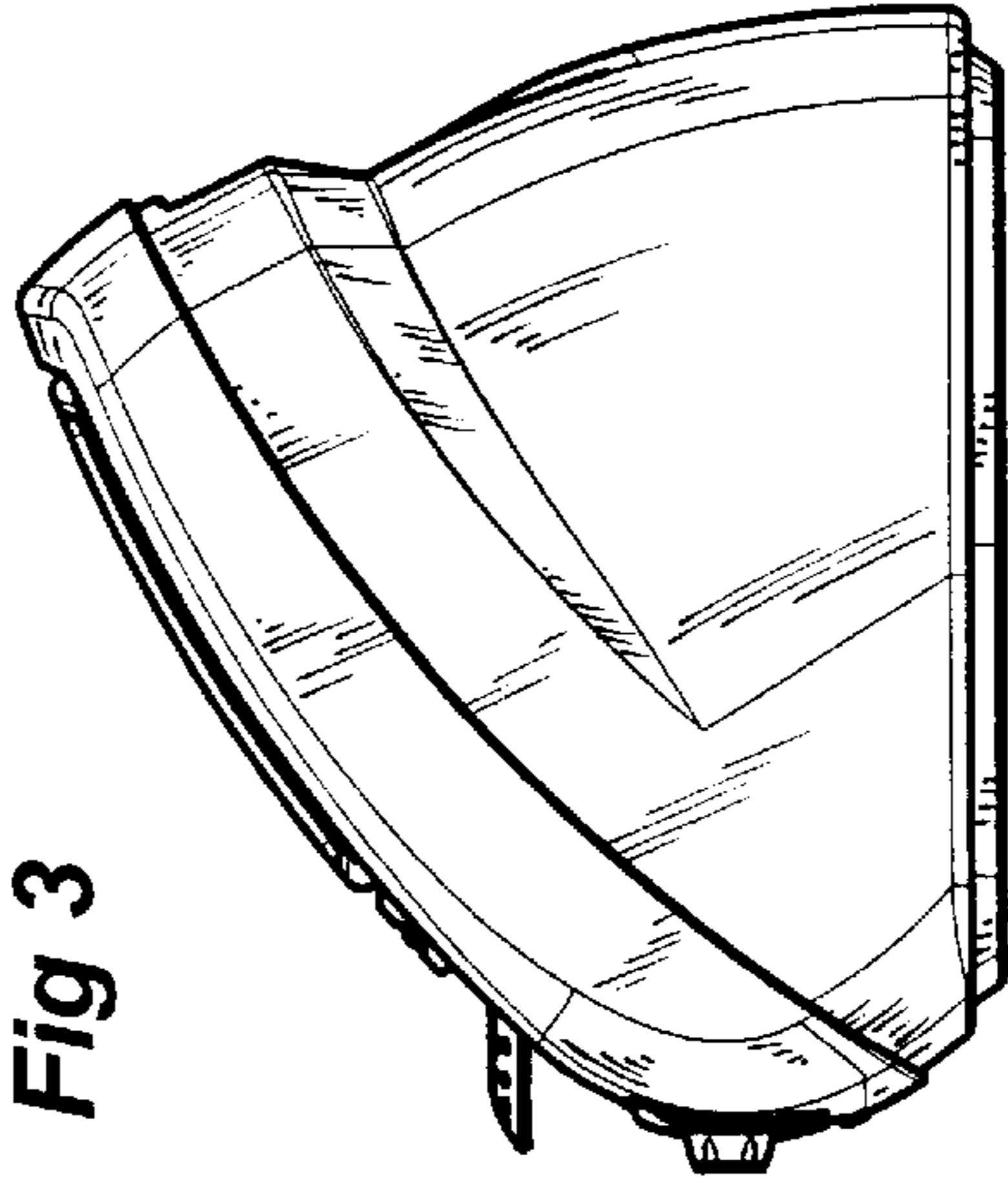


Fig 5

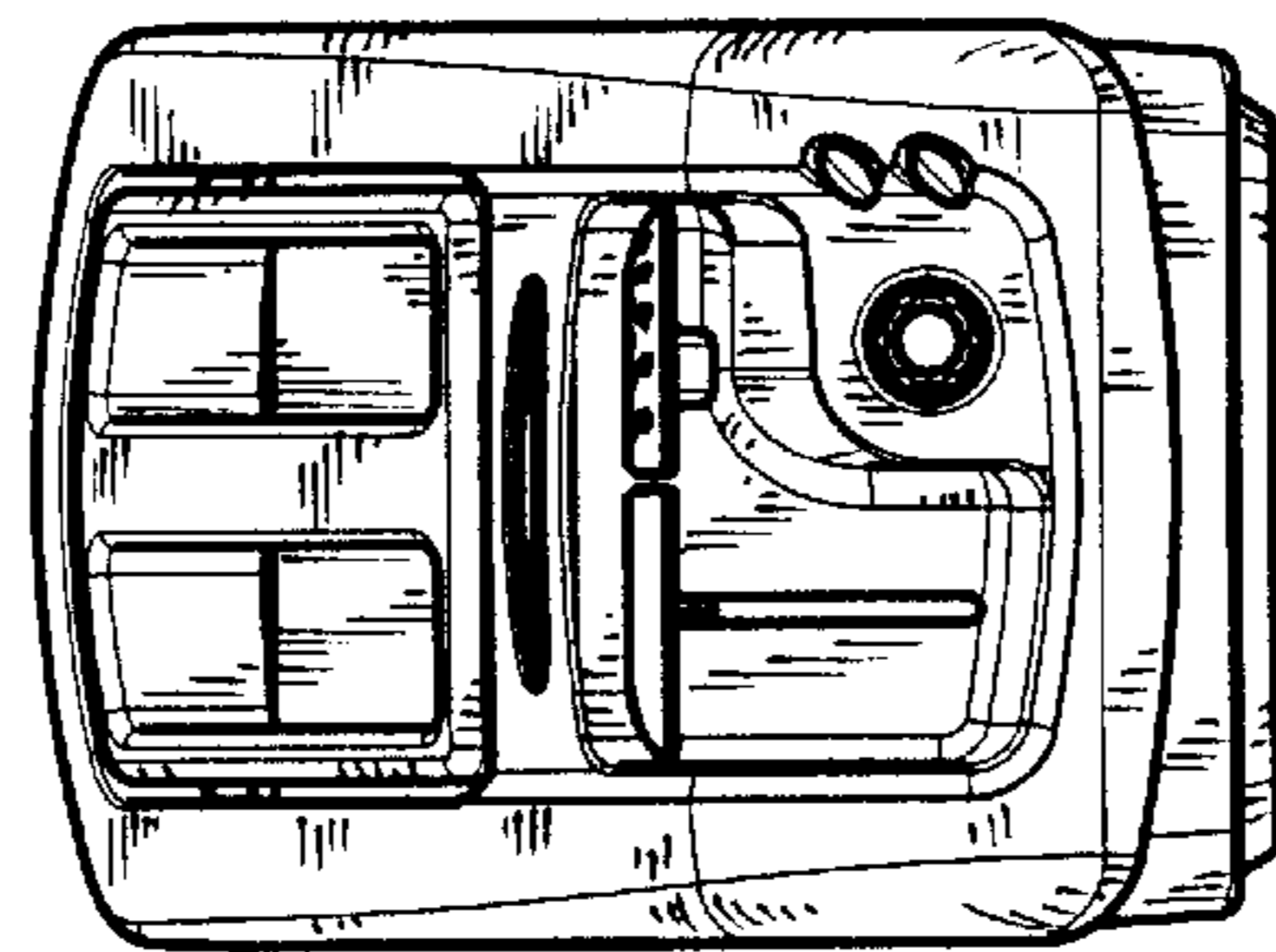


Fig 4

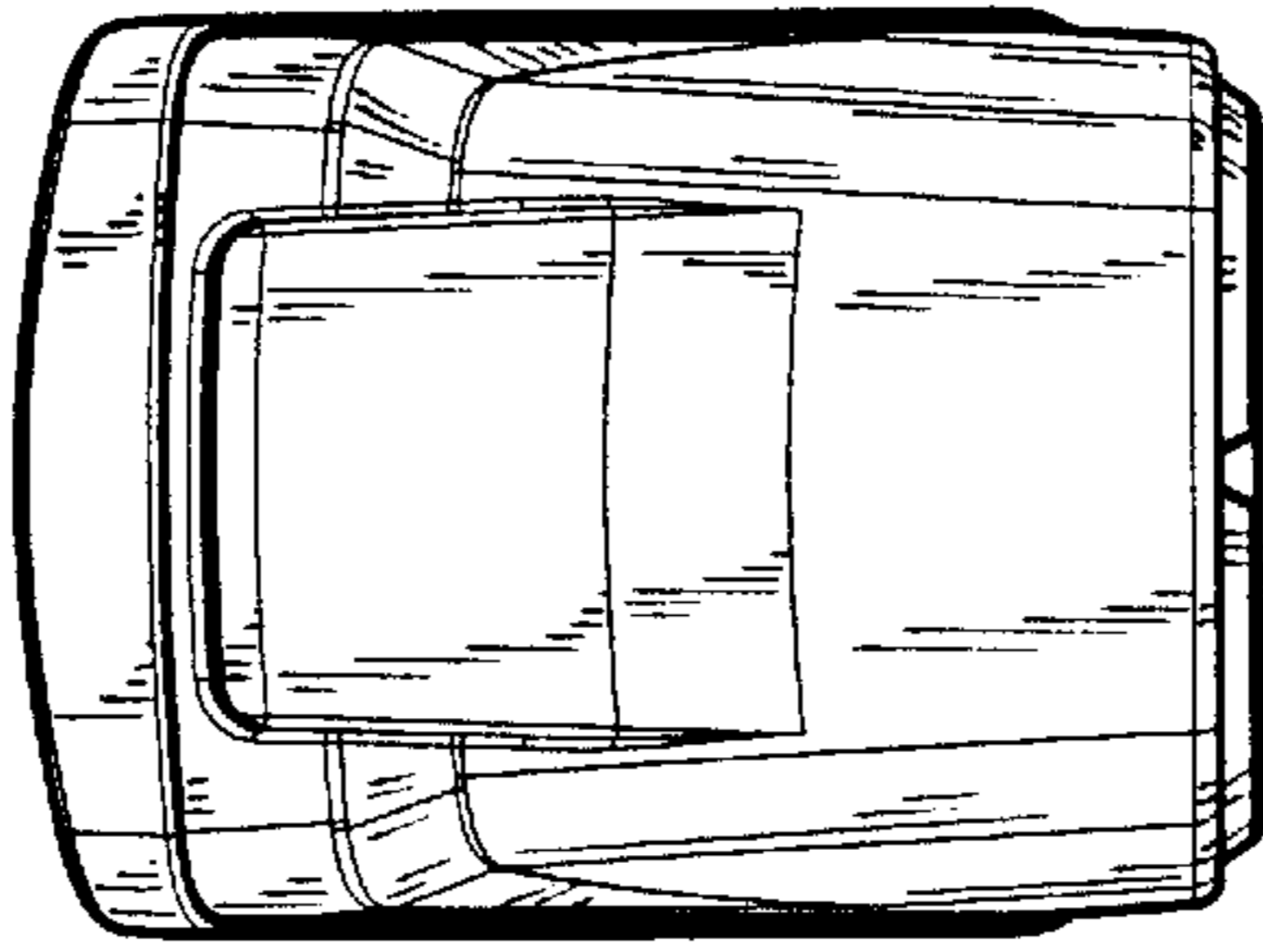


Fig 6

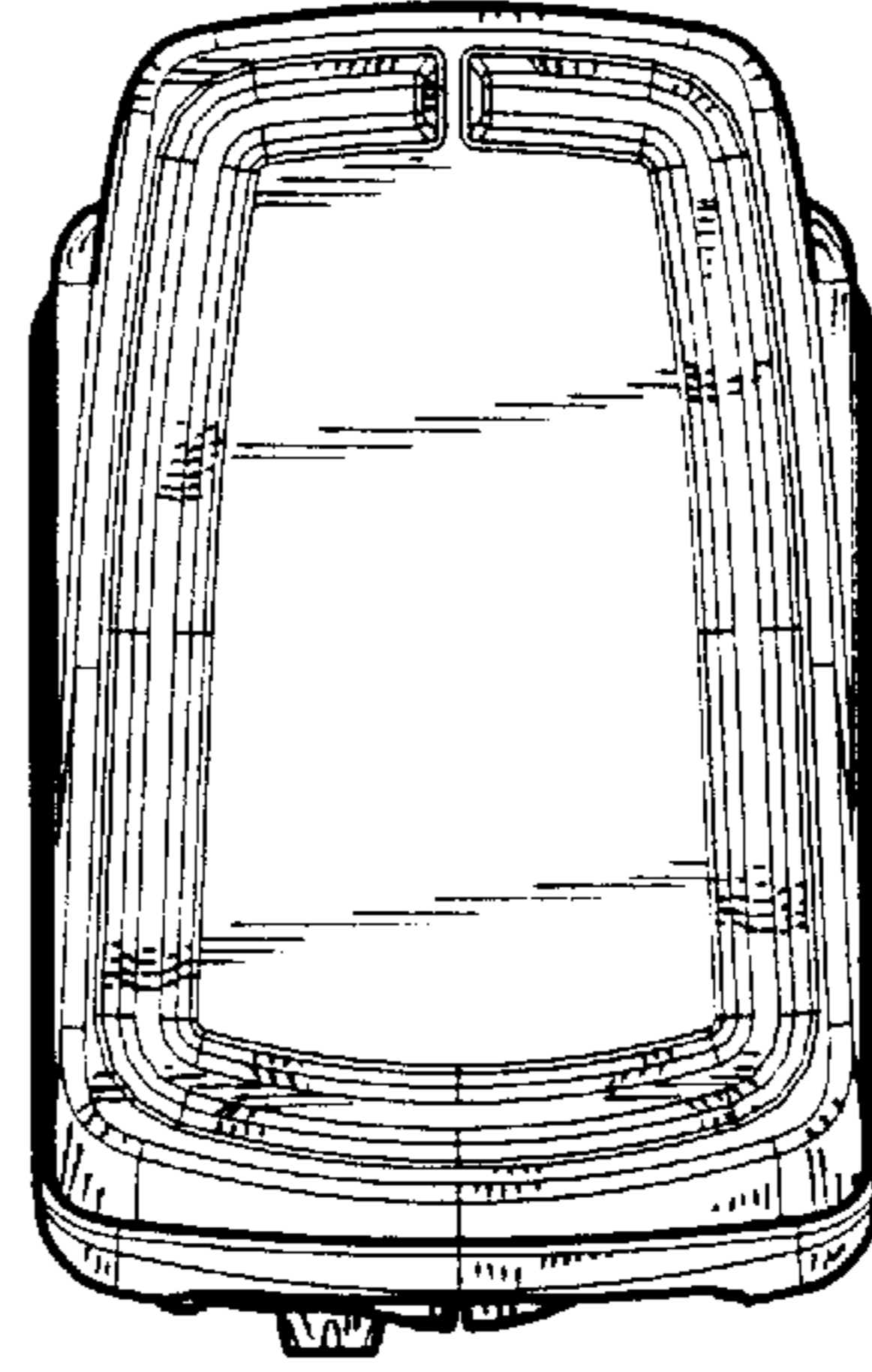


Fig 7