



US00D461087S

(12) **United States Design Patent**  
**Hatsumoto**

(10) **Patent No.:** **US D461,087 S**

(45) **Date of Patent:** **\*\* Aug. 6, 2002**

(54) **TEAPOT**

(75) **Inventor:** **Kunio Hatsumoto, Tokyo (JP)**

(73) **Assignee:** **Nippon Sanso Corporation, Tokyo (JP)**

(\*\*) **Term:** **14 Years**

(21) **Appl. No.:** **29/134,830**

(22) **Filed:** **Dec. 28, 2000**

(30) **Foreign Application Priority Data**

Jul. 19, 2000 (JP) ..... 2000-019833

(51) **LOC (7) Cl.** ..... **07-01**

(52) **U.S. Cl.** ..... **D7/318; D7/317**

(58) **Field of Search** ..... D7/316, 317, 318,  
D7/319, 600, 300, 312, 322, 303; 99/307,  
280, 283, 285; 222/188, 144.5, 475; 215/12.1;  
220/300

(56) **References Cited**

**U.S. PATENT DOCUMENTS**

D203,852 S	*	2/1966	Douglas	.....	D7/317
D219,612 S	*	12/1970	Gibson	.....	D7/303
D221,796 S	*	9/1971	Greger	.....	D7/317
D236,177 S	*	8/1975	Reyda	.....	D7/317
D236,178 S	*	8/1975	Young	.....	D7/317
D263,783 S	*	4/1982	Okazaki et al.	.....	D7/317

D285,768 S	*	9/1986	Zimmermann	.....	D7/317
D292,664 S	*	11/1987	Zimmermann	.....	D7/317
D302,370 S	*	7/1989	Gibert	.....	D7/317
D311,475 S	*	10/1990	Durand	.....	D7/317
D364,990 S	*	12/1995	Fonville	.....	D7/317
D439,466 S	*	3/2001	Bouhuys	.....	D7/319
D444,662 S	*	7/2001	McGrath et al.	.....	D7/319
D444,989 S	*	7/2001	Lin	.....	D7/319

\* cited by examiner

*Primary Examiner*—M. N. Pandozzi

(74) *Attorney, Agent, or Firm*—J.C. Patents

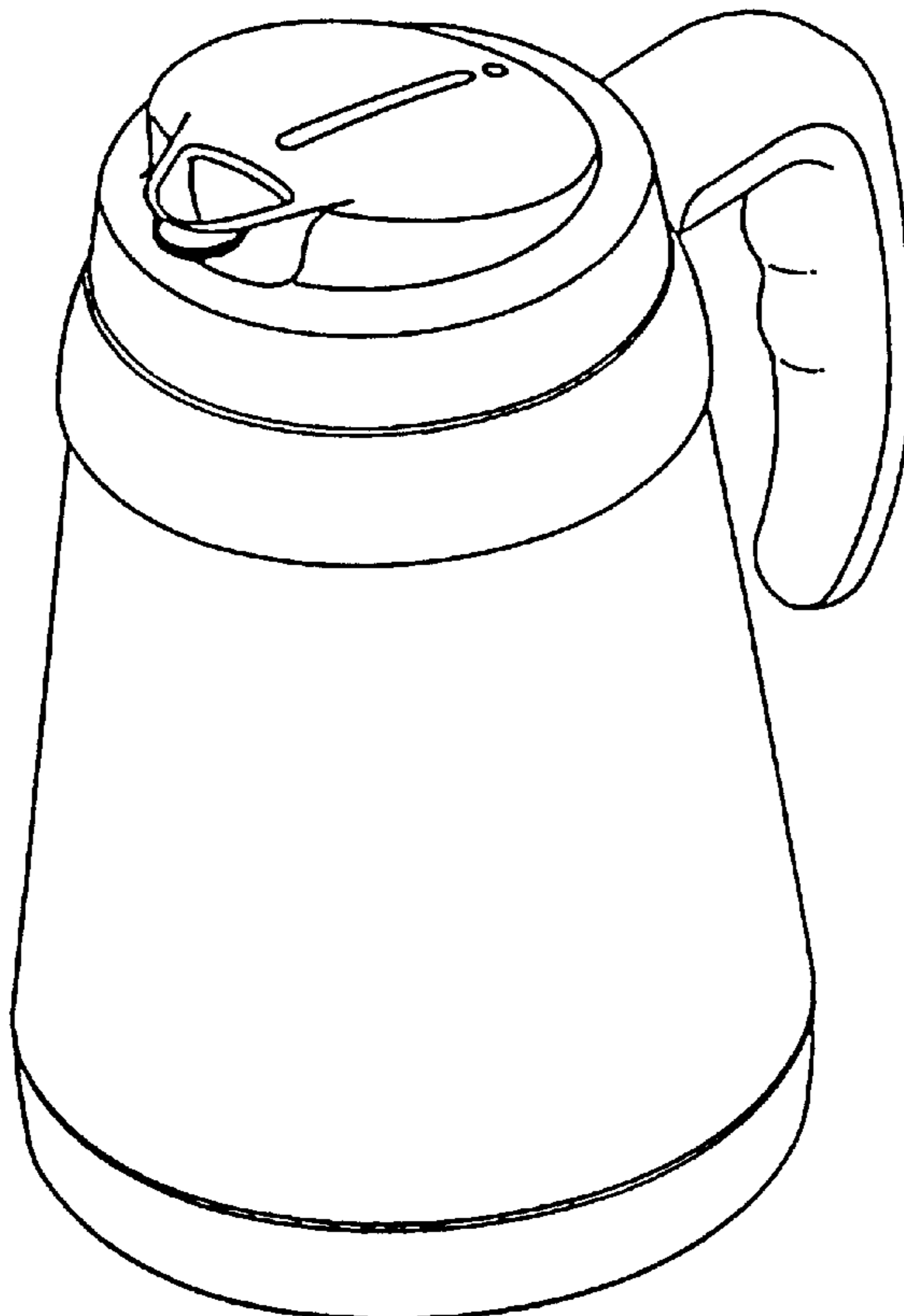
(57) **CLAIM**

The ornamental design for a teapot, as substantially shown and described.

**DESCRIPTION**

FIG. 1 is a perspective view of a teapot according to the invention;  
FIG. 2 is a top plan view thereof;  
FIG. 3 is a front teapot view thereof;  
FIG. 4 is a rear teapot view thereof;  
FIG. 5 is a bottom plan teapot view thereof;  
FIG. 6 is a right end teapot view thereof;  
FIG. 7 is a left end teapot view thereof; and,  
FIG. 8 is a sectional view thereof taken along line A—A of FIG. 2.

**1 Claim, 8 Drawing Sheets**



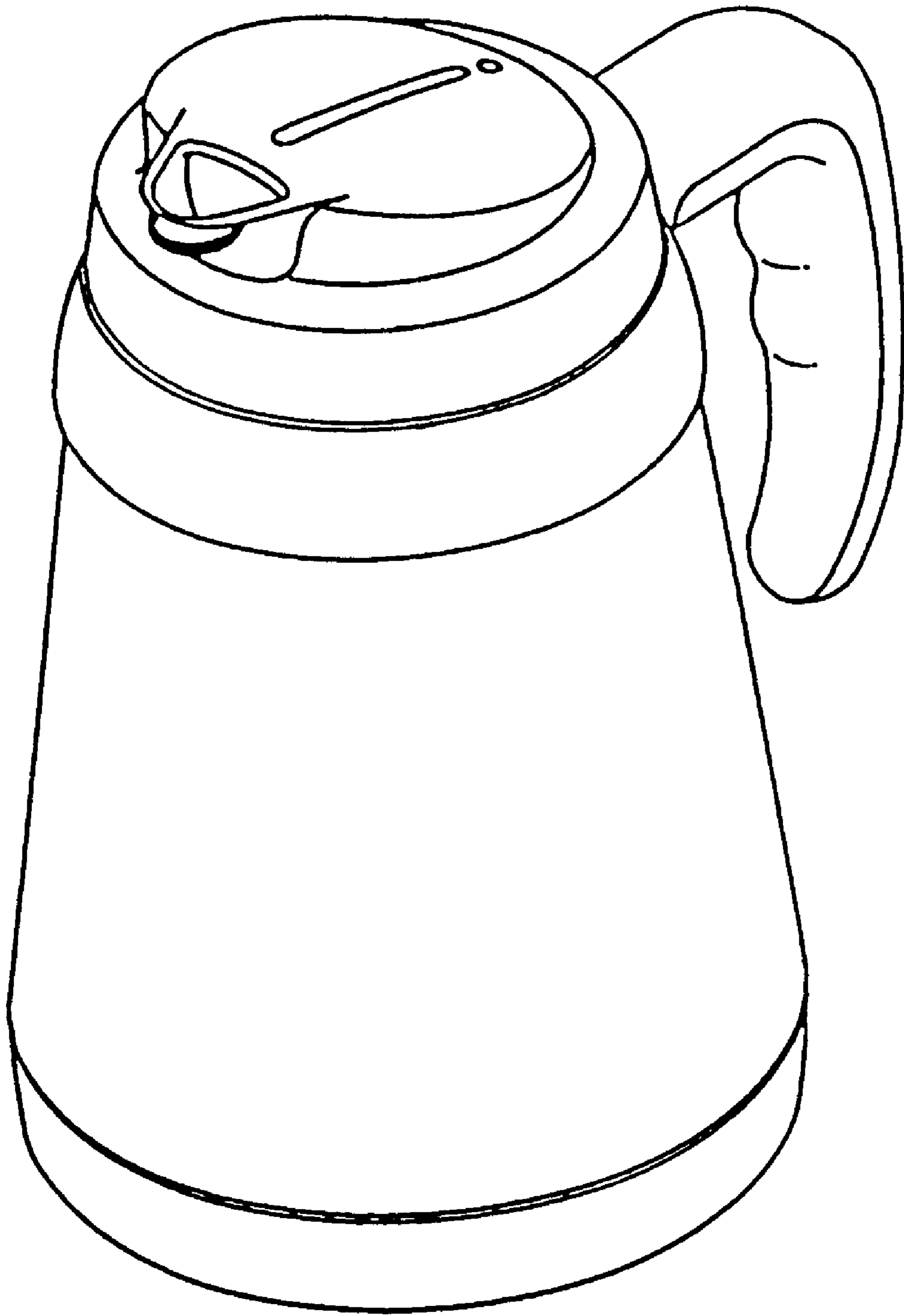


FIG. 1

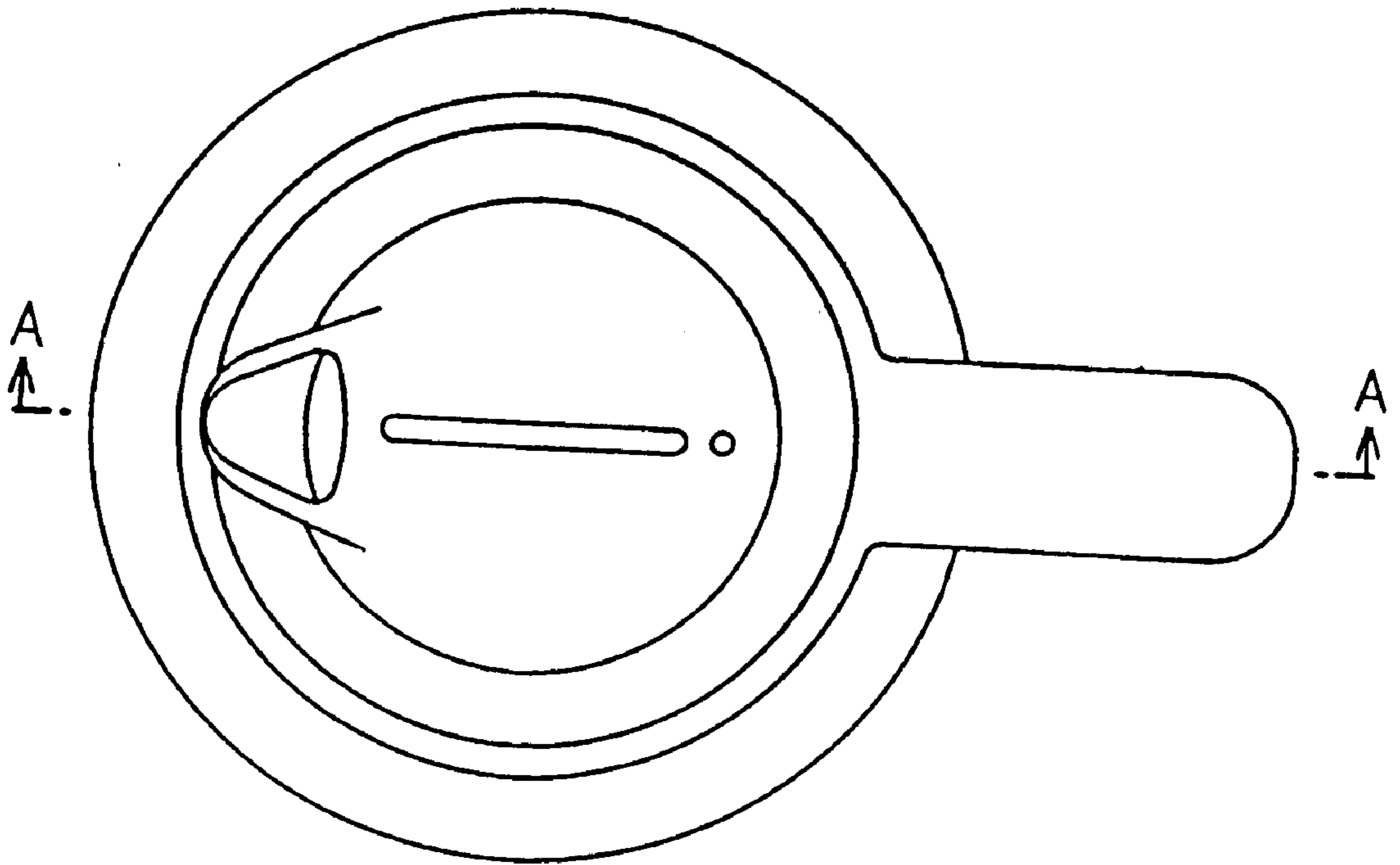


FIG. 2

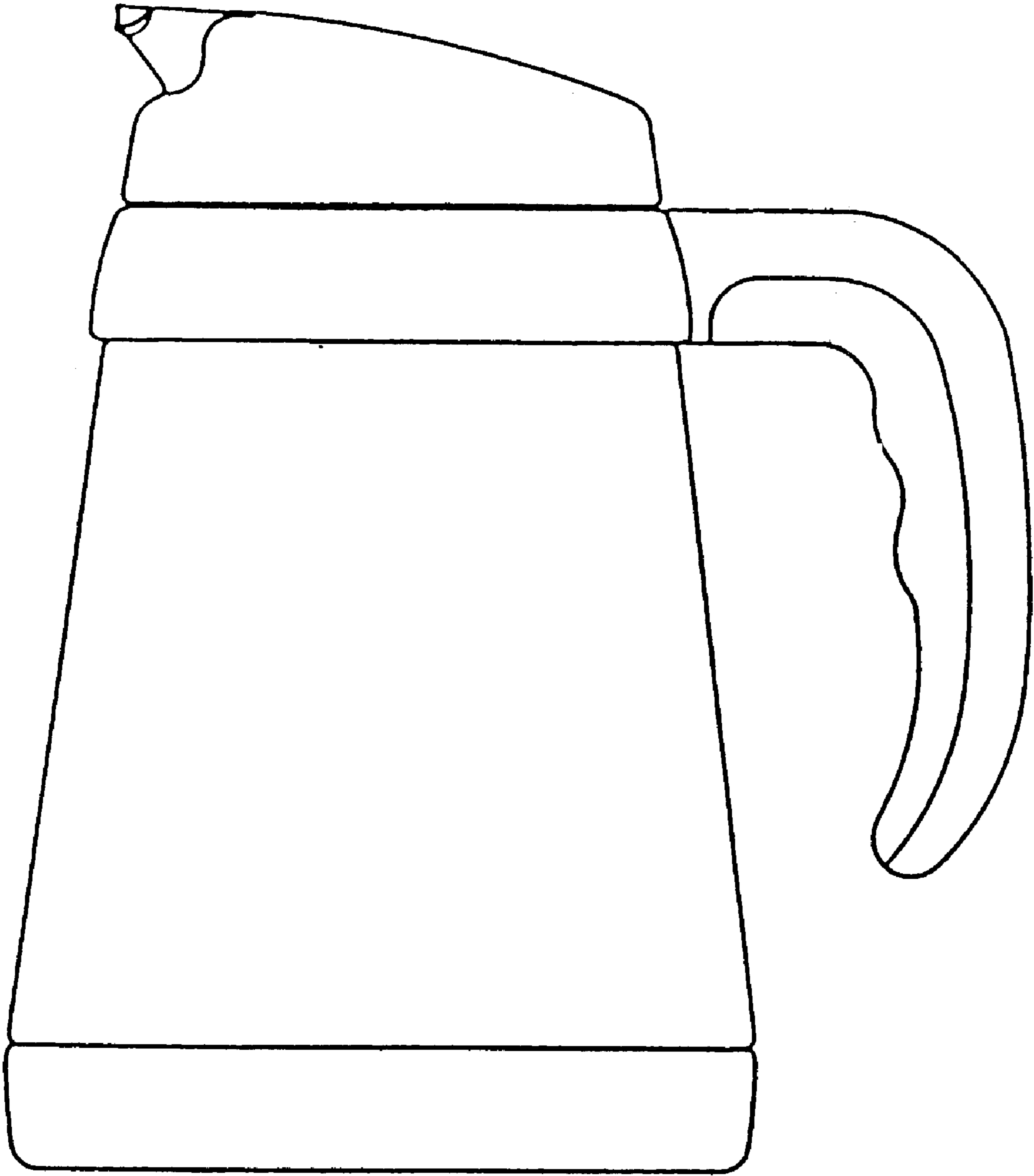


FIG. 3

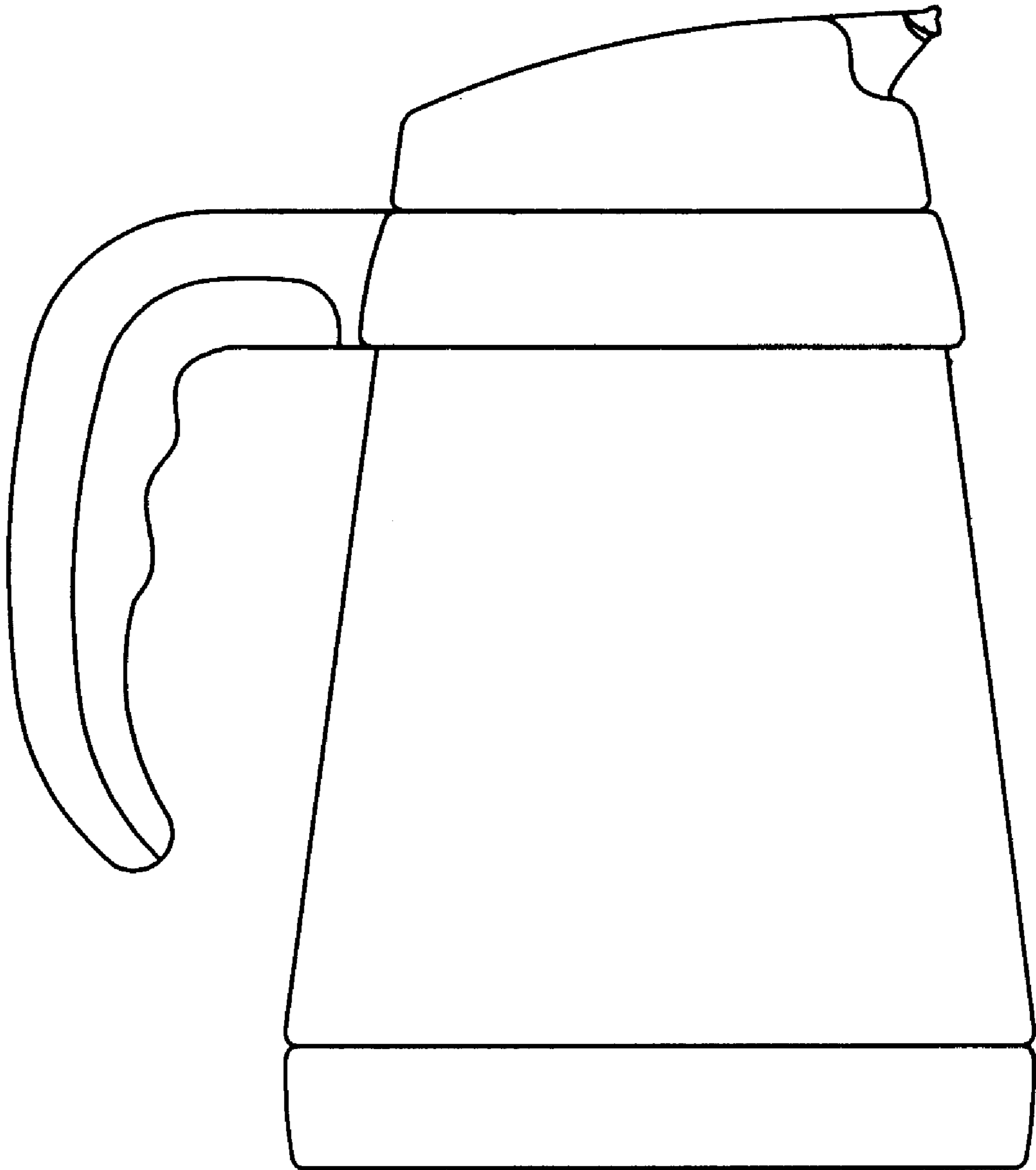


FIG. 4

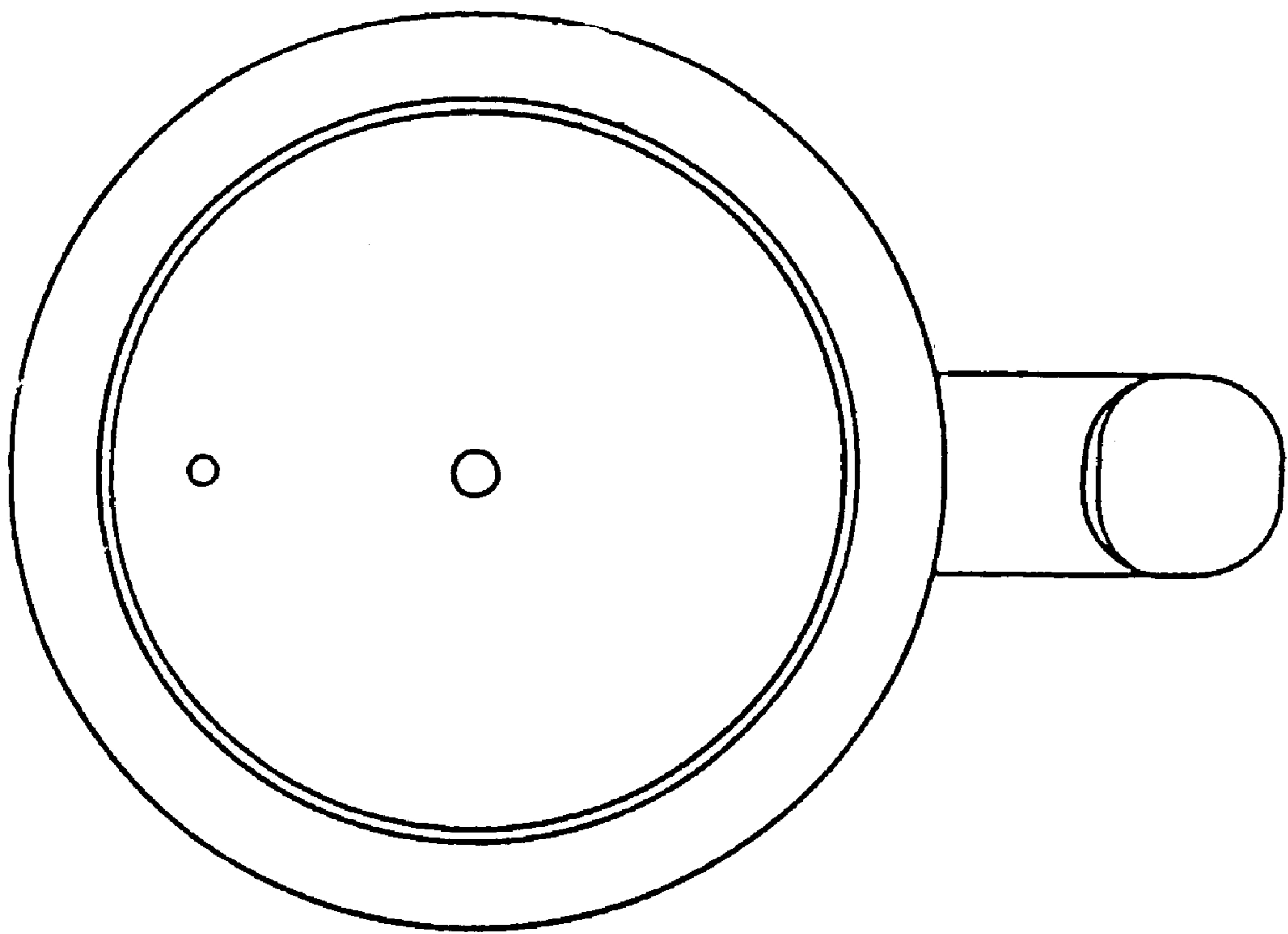


FIG. 5

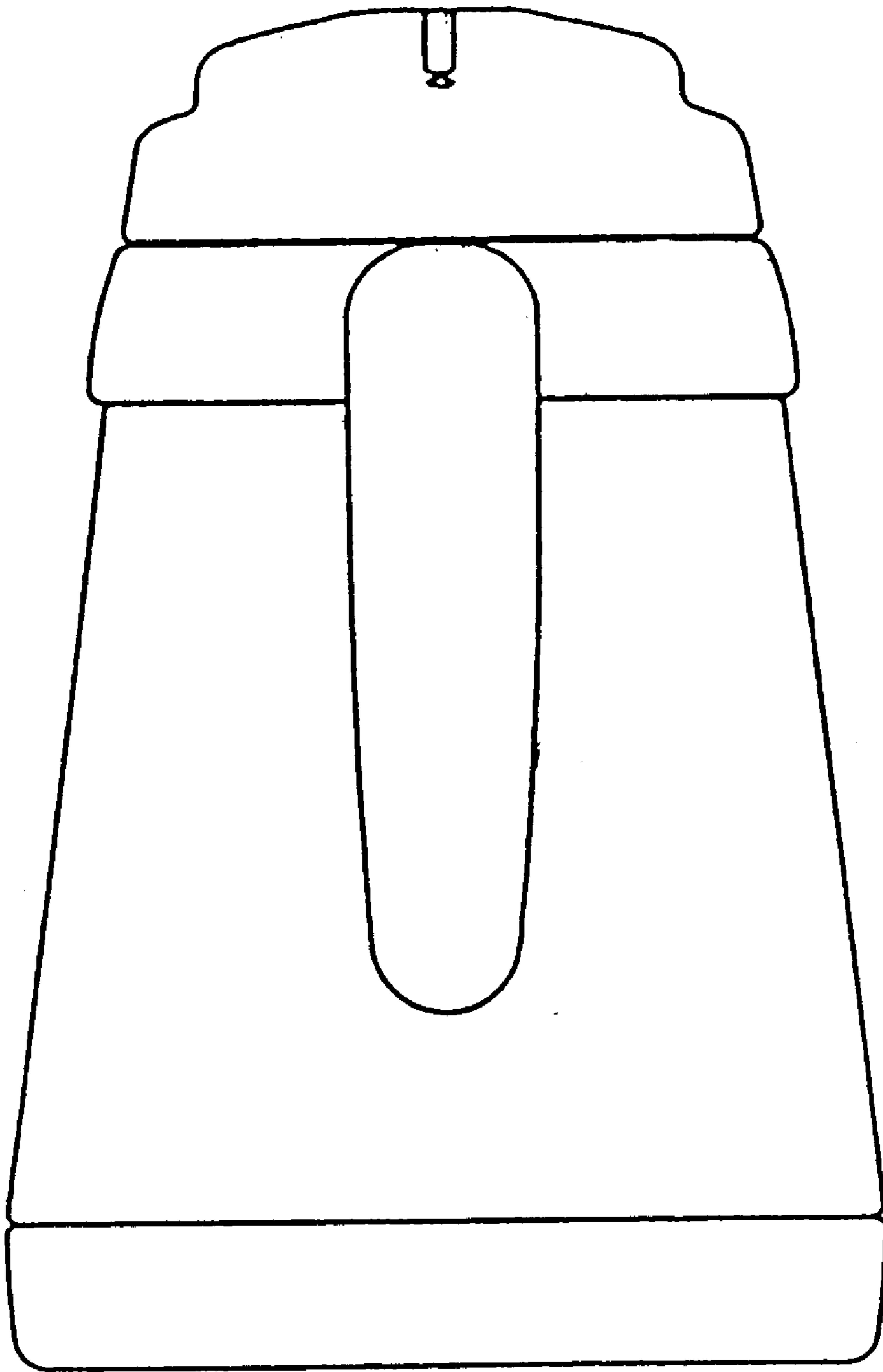


FIG. 6

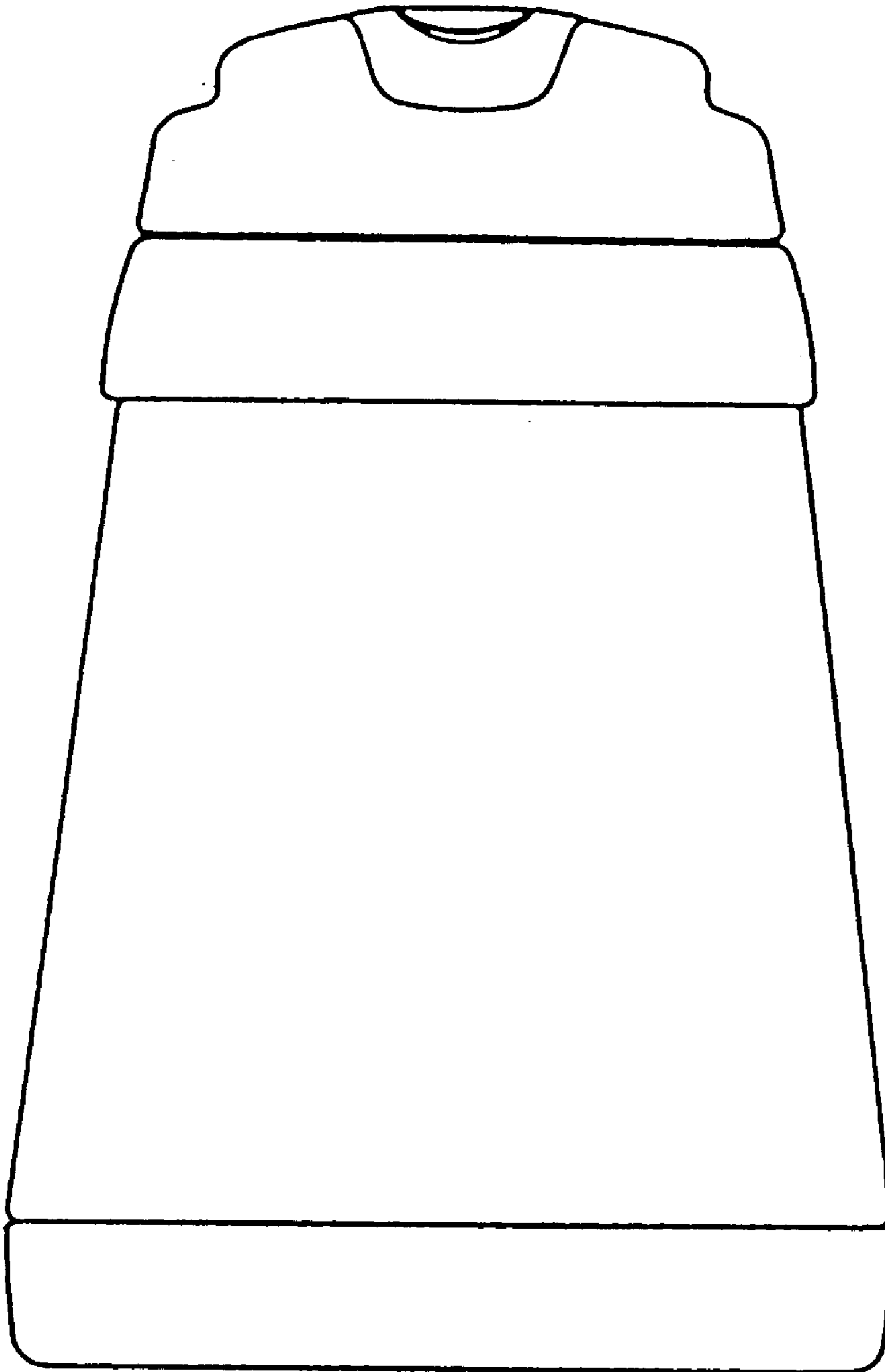


FIG. 7



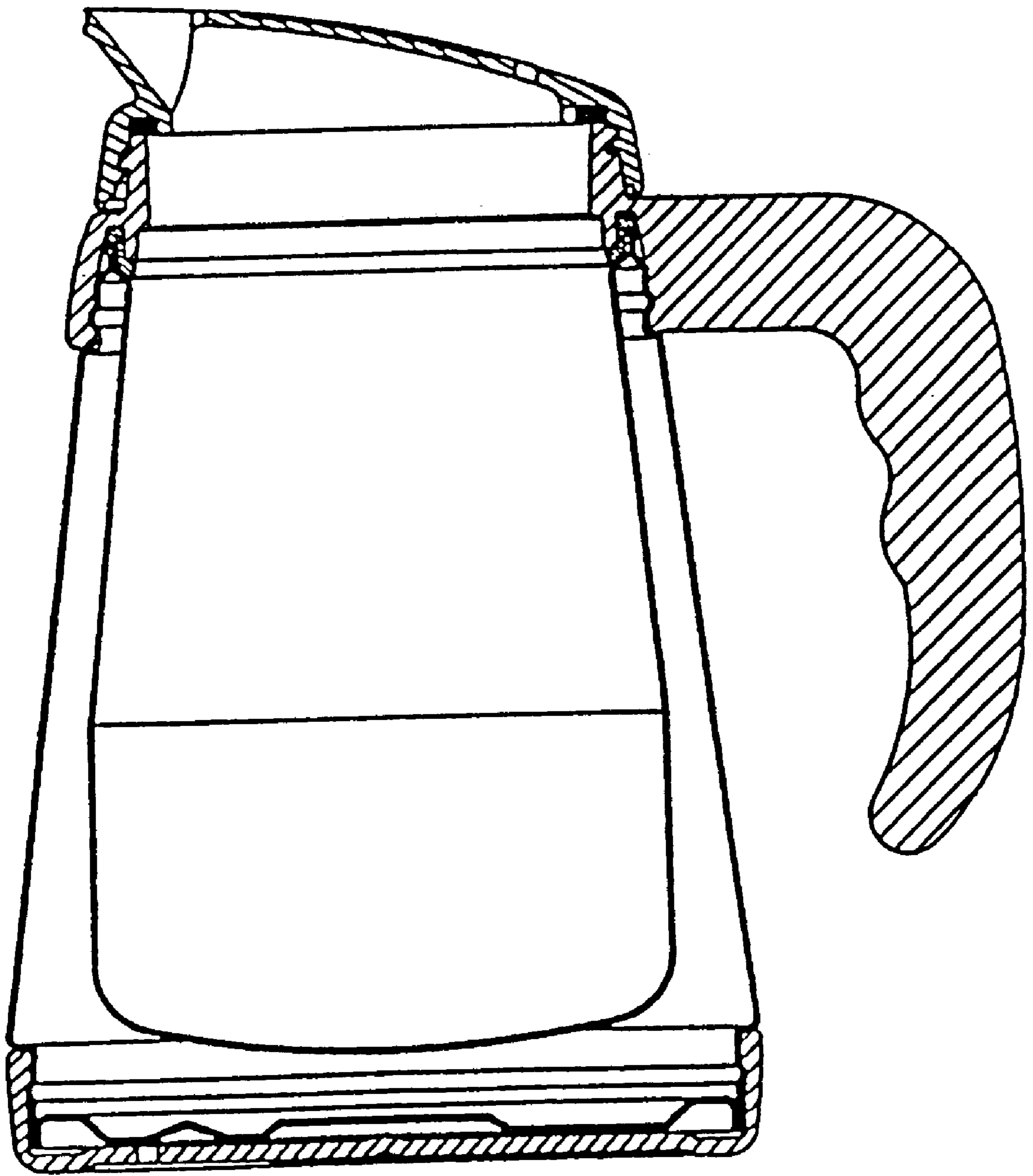


FIG. 8