



US00D461086S

(12) **United States Design Patent**
Martinez

(10) **Patent No.:** **US D461,086 S**

(45) **Date of Patent:** **** Aug. 6, 2002**

(54) **GOLF CADDIE**

(76) Inventor: **Robert Martinez**, P.O. Box 66,
McCordsville, IN (US) 46055

(**) Term: **14 Years**

(21) Appl. No.: **29/154,026**

(22) Filed: **Jan. 14, 2002**

Related U.S. Application Data

(62) Division of application No. 29/144,131, filed on Jun. 26,
2001.

(51) **LOC (7) Cl.** **08-08**

(52) **U.S. Cl.** **D6/552; D21/796**

(58) **Field of Search** D6/552, 356, 409,
D6/410, 417; D21/759, 796; 473/282, 287,
409; 206/315.2, 315.7; 248/688

(56) **References Cited**

U.S. PATENT DOCUMENTS

D346,081 S * 4/1994 Turner D6/410 X
D360,248 S * 7/1995 Wright D21/796

5,873,471 A * 2/1999 Ruggeri 248/688 X
D407,774 S * 4/1999 Weiss D21/796
D447,530 S * 9/2001 Hidalgo D21/796

* cited by examiner

Primary Examiner—Brian N. Vinson

(74) *Attorney, Agent, or Firm*—Brinks Hofer Gilson &
Lione

(57) **CLAIM**

I claim the ornamental design for a golf caddie, as shown
and described.

DESCRIPTION

FIG. 1 is a front elevation view of a golf caddie showing my
new design.

FIG. 2 is a plan view from the bottom of FIG. 1.

FIG. 3 is a plan view from the top of FIG. 1.

FIG. 4 is an elevation view from the left side of FIG. 1.

FIG. 5 is an elevation view from the right side of FIG. 1;
and,

FIG. 6 is a rear elevation view of the golf caddie shown in
FIG. 1.

1 Claim, 2 Drawing Sheets

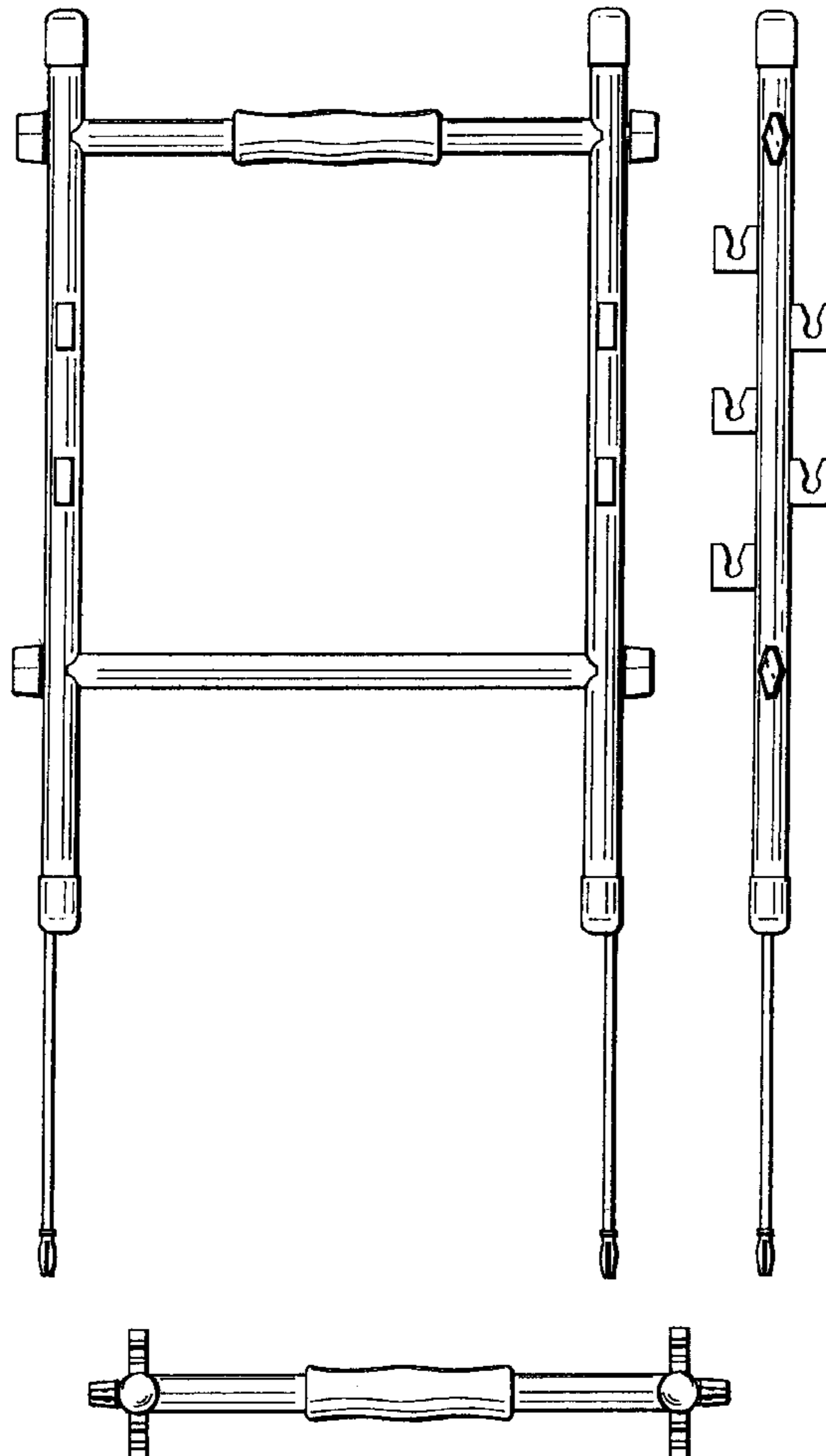




FIG. 3

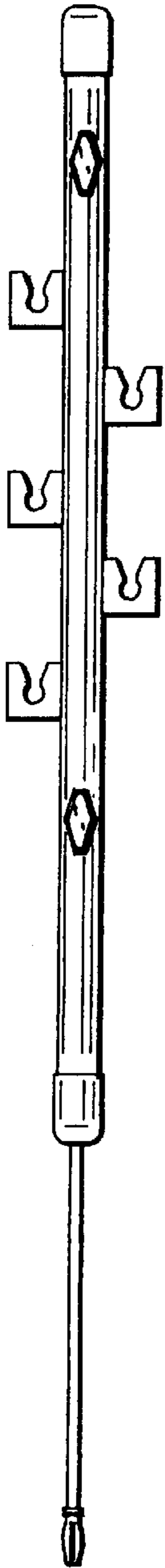


FIG. 4

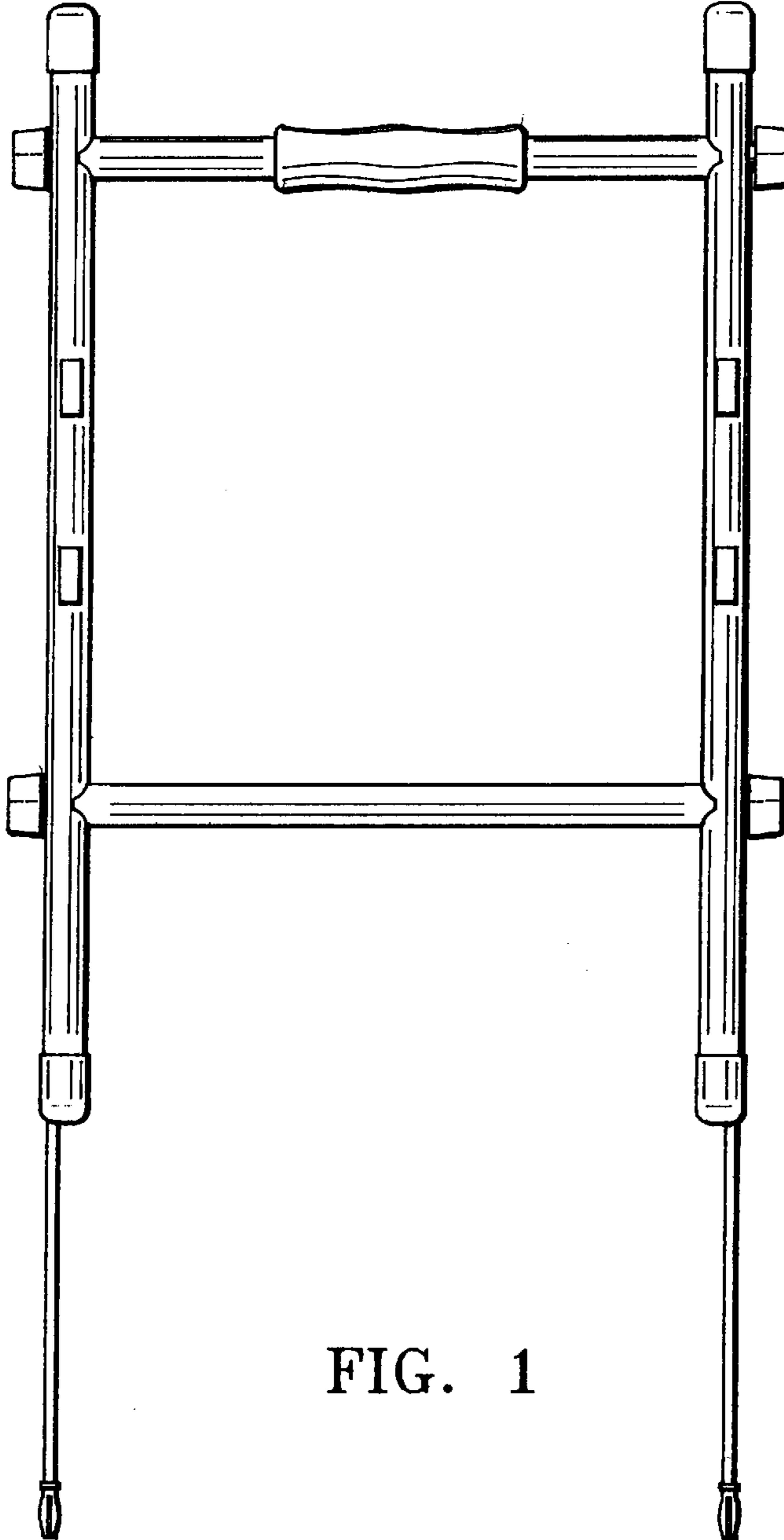


FIG. 1

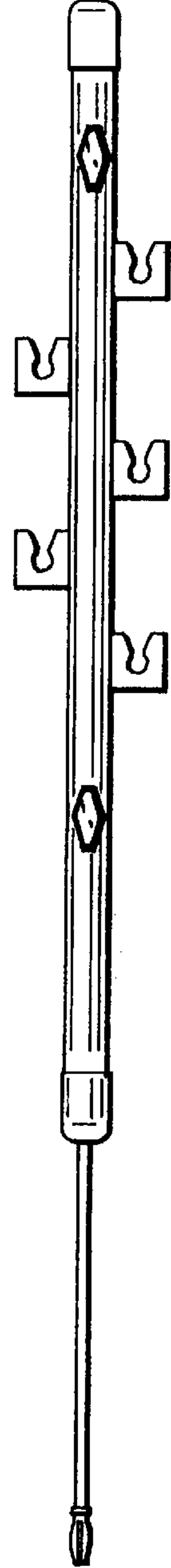


FIG. 5

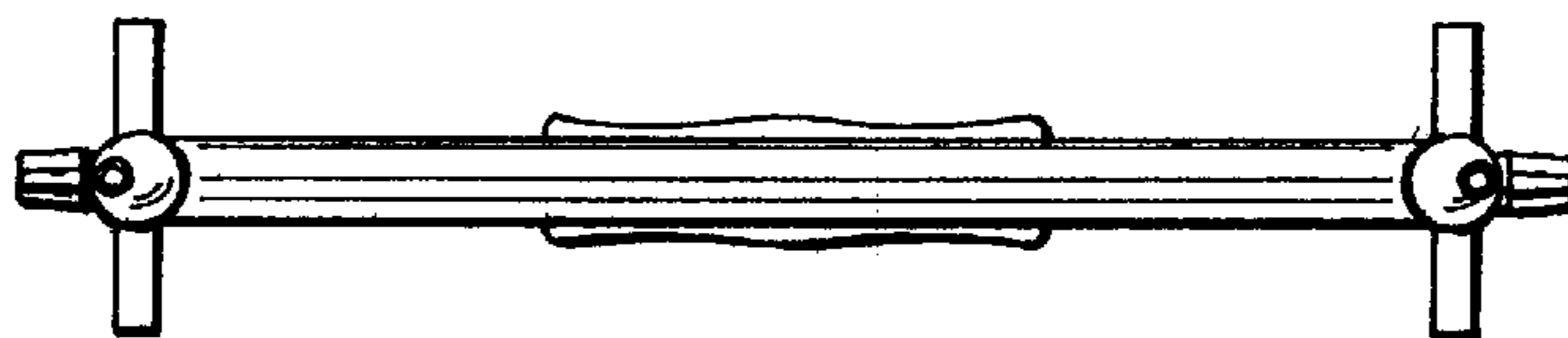


FIG. 2

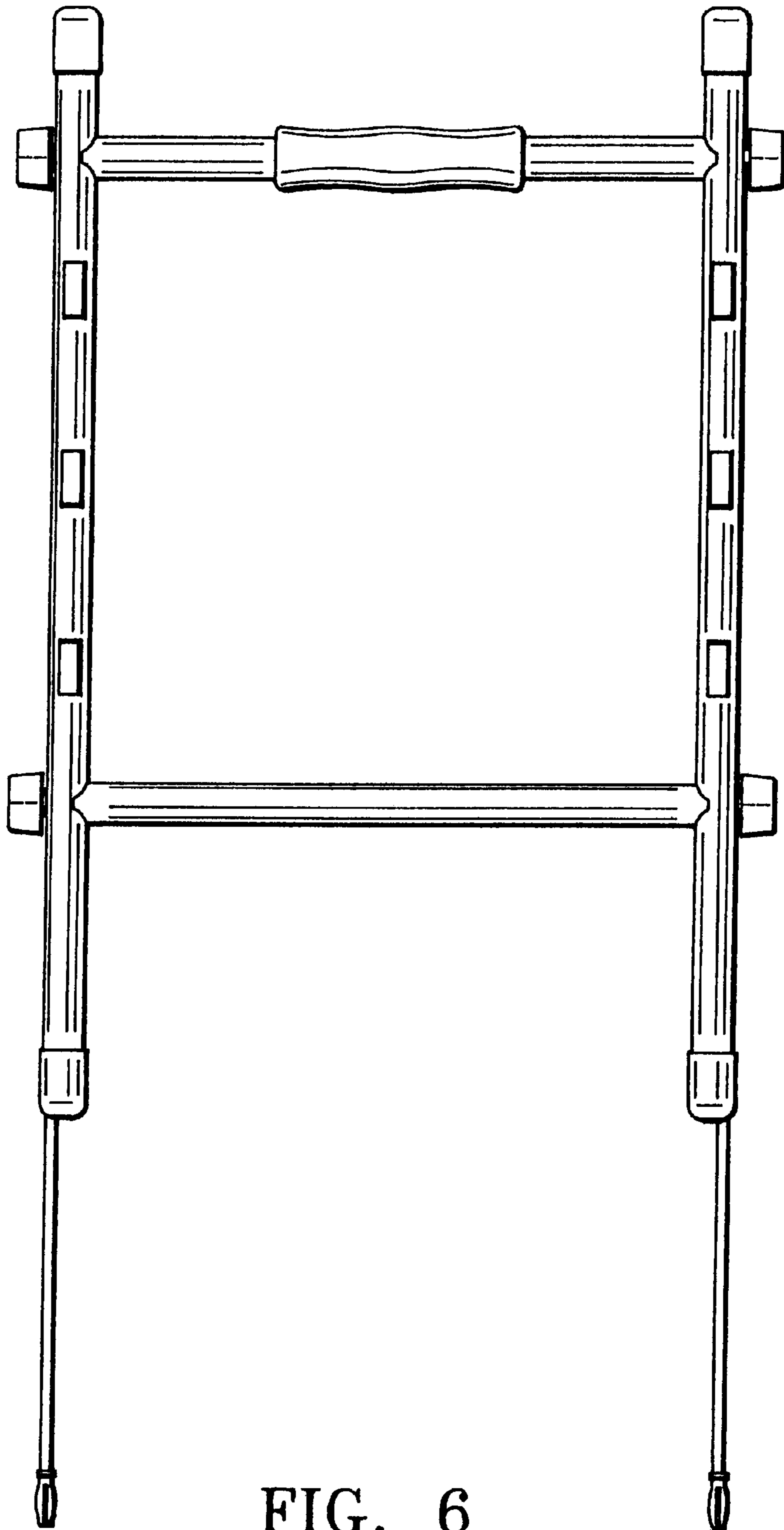


FIG. 6