



US00D461085S

(12) **United States Design Patent**
Chen

(10) **Patent No.:** **US D461,085 S**

(45) **Date of Patent:** **** Aug. 6, 2002**

(54) **WATER PISTOL BRACKET**

6,250,480 B1 * 6/2001 McGuinness 211/70.8

(75) Inventor: **Chin-Yuan Chen**, Chang-Hua Hsien
(TW)

* cited by examiner

(73) Assignee: **Shin Tai Spurt Water of the Garden
Tools Co., Ltd.**, Chang-Hua Hsien
(TW)

Primary Examiner—Brian N. Vinson

(74) *Attorney, Agent, or Firm*—Harrison & Egbert

(**) Term: **14 Years**

(57) **CLAIM**

I claim the ornamental design for a water pistol bracket, as shown and described.

(21) Appl. No.: **29/149,302**

DESCRIPTION

(22) Filed: **Oct. 9, 2001**

FIG. 1 is an upper perspective view of the water pistol bracket showing my design.

(51) **LOC (7) Cl.** **08-08**

FIG. 2 is a side view thereof;

(52) **U.S. Cl.** **D6/552**

FIG. 3 is an opposite side view thereof;

(58) **Field of Search** D6/552; 211/13.1,
211/60.1, 64, 70.2, 70.6, 70.8

FIG. 4 is a front view thereof;

FIG. 5 is a back view thereof;

FIG. 6 is a top view thereof; and,

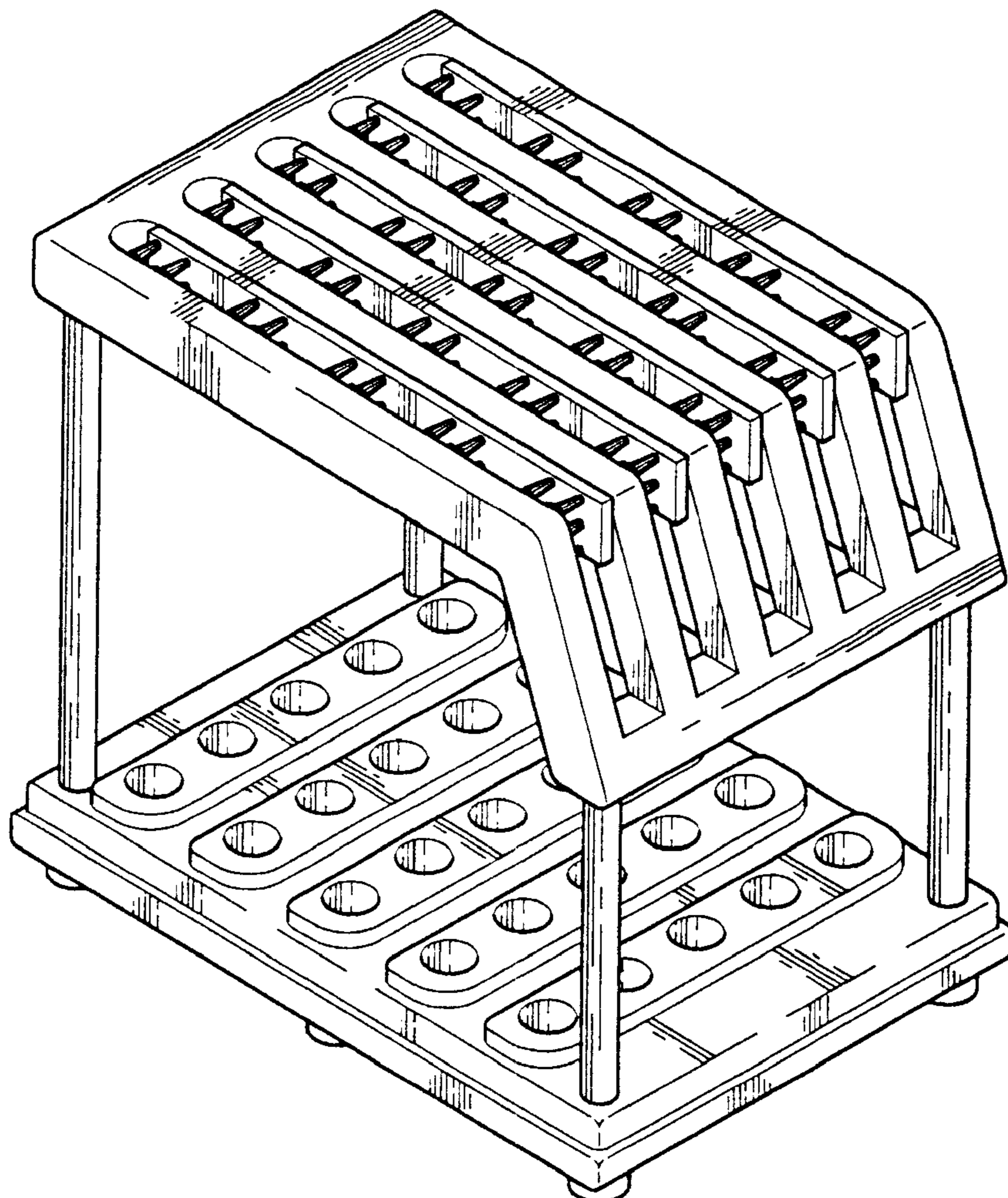
FIG. 7 is a bottom view thereof.

(56) **References Cited**

U.S. PATENT DOCUMENTS

5,617,960 A * 4/1997 Bishop 211/60.1

1 Claim, 4 Drawing Sheets



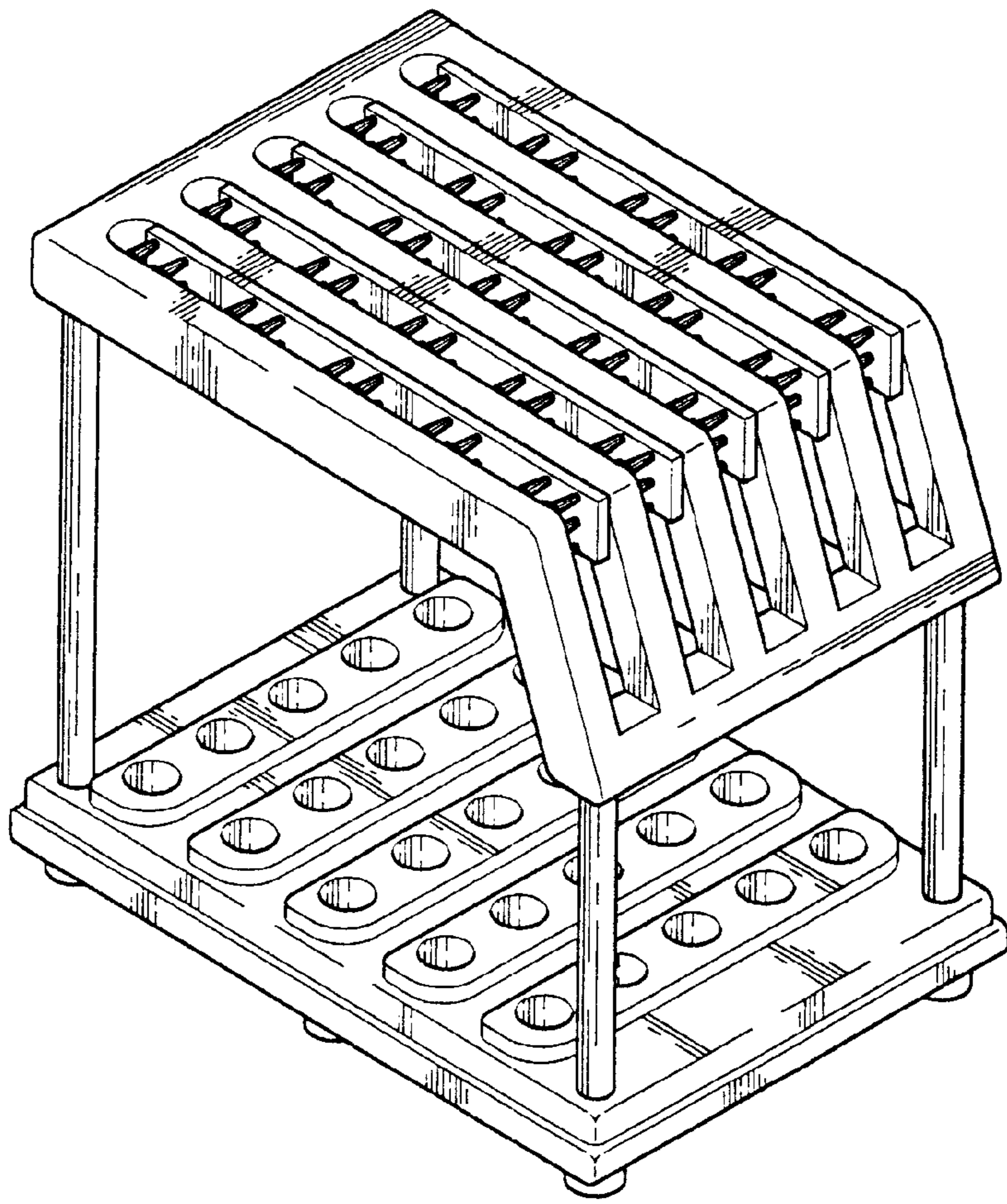


FIG.1

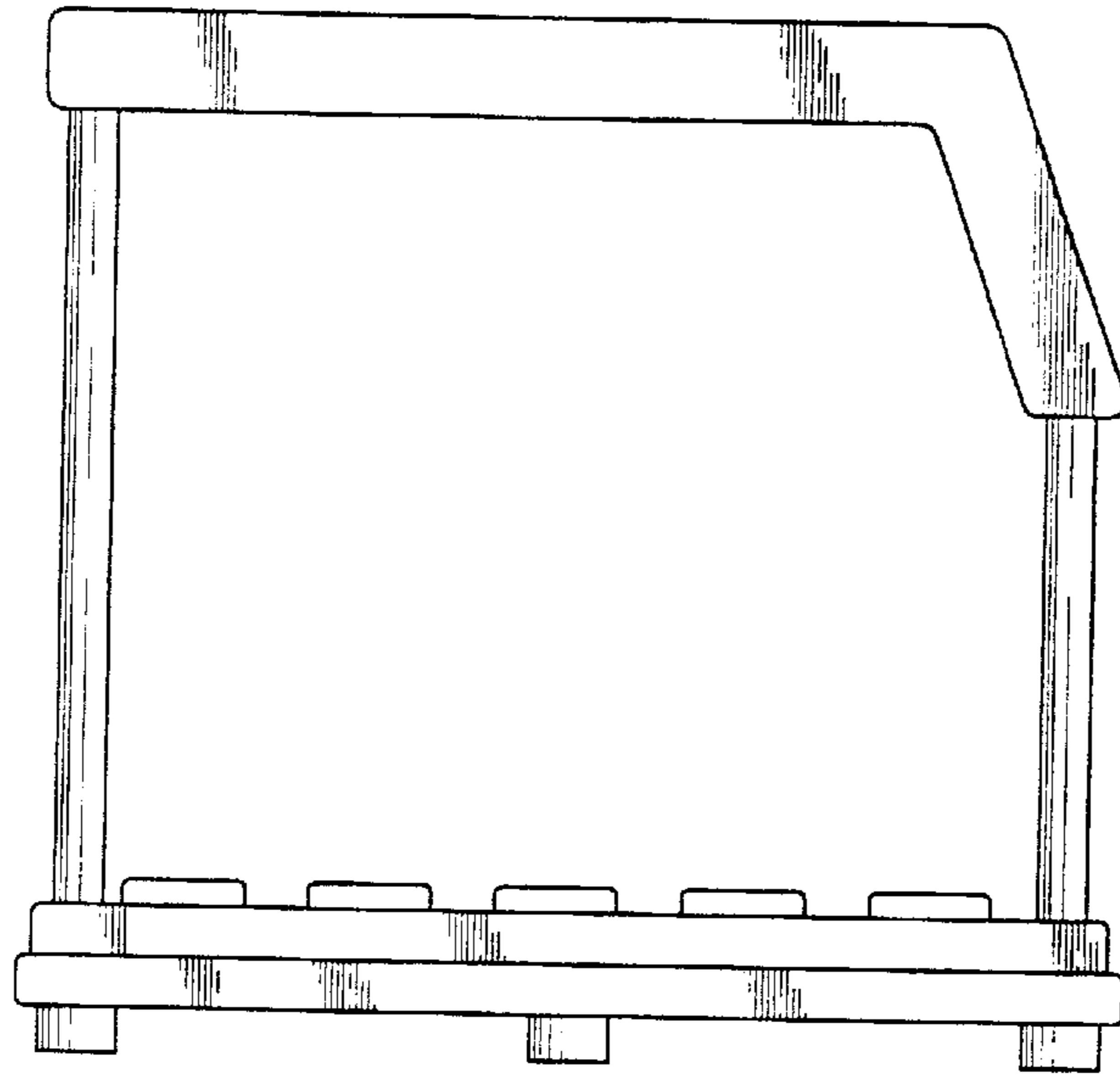


FIG. 2

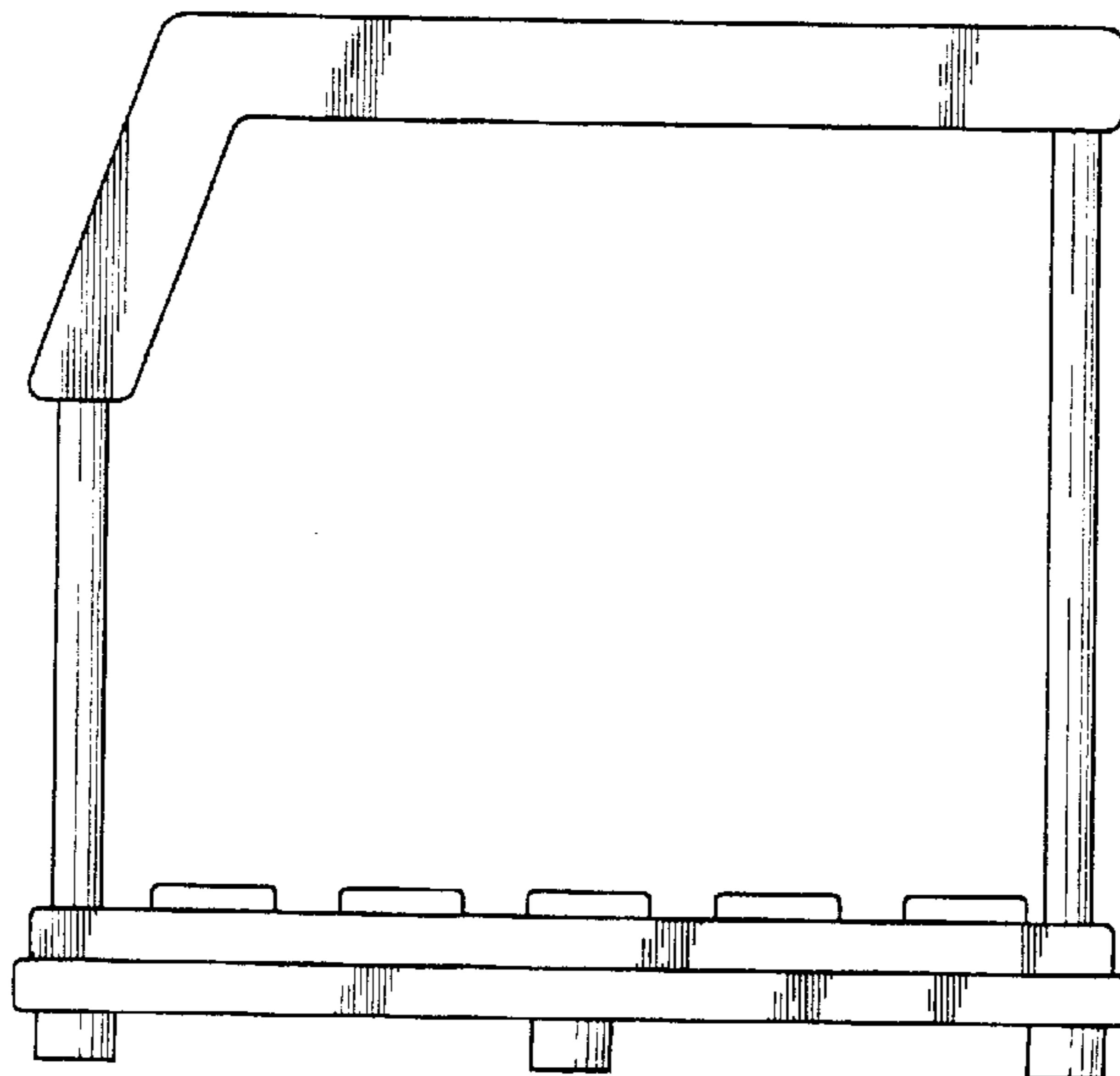


FIG. 3

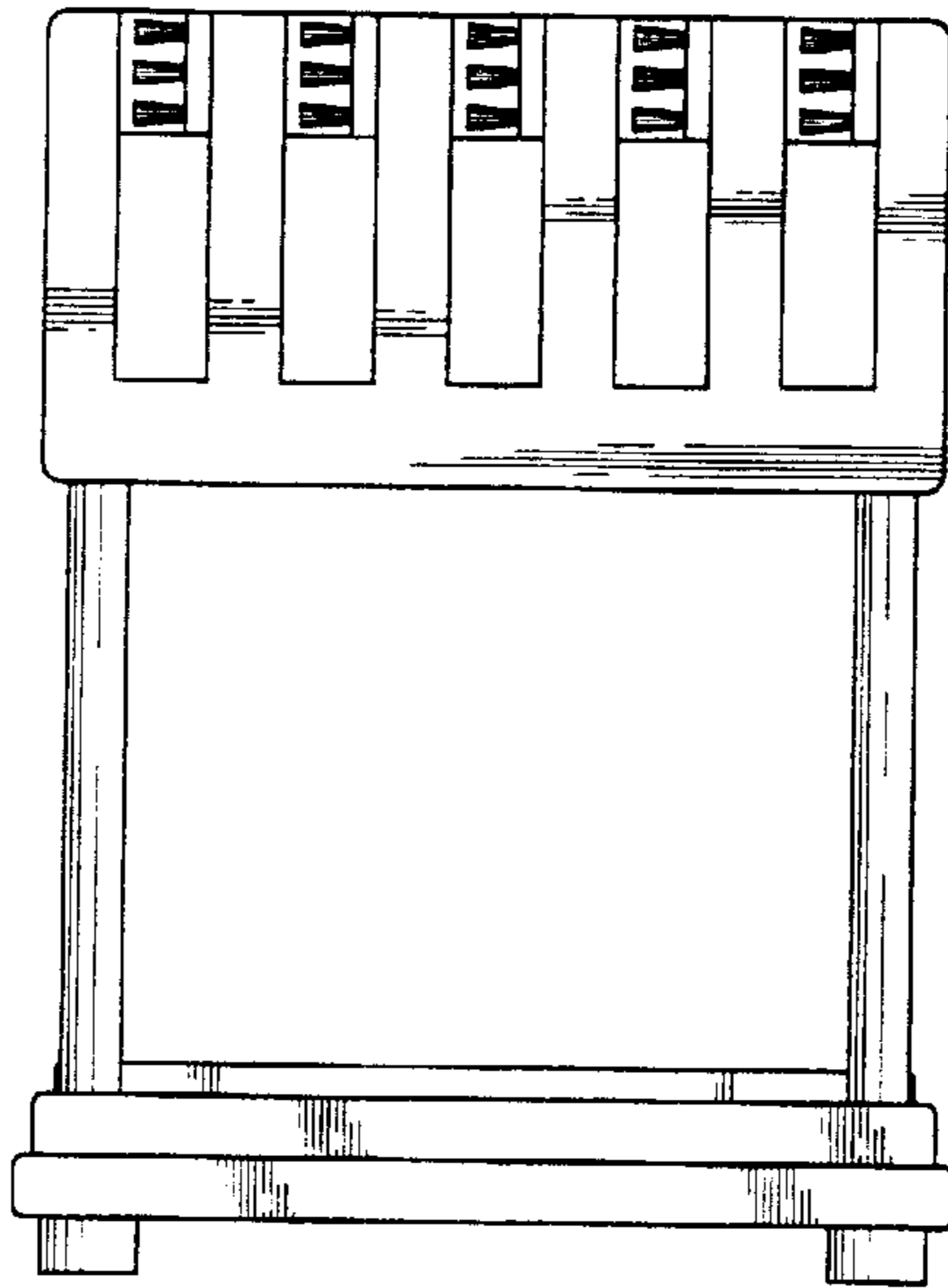


FIG. 4

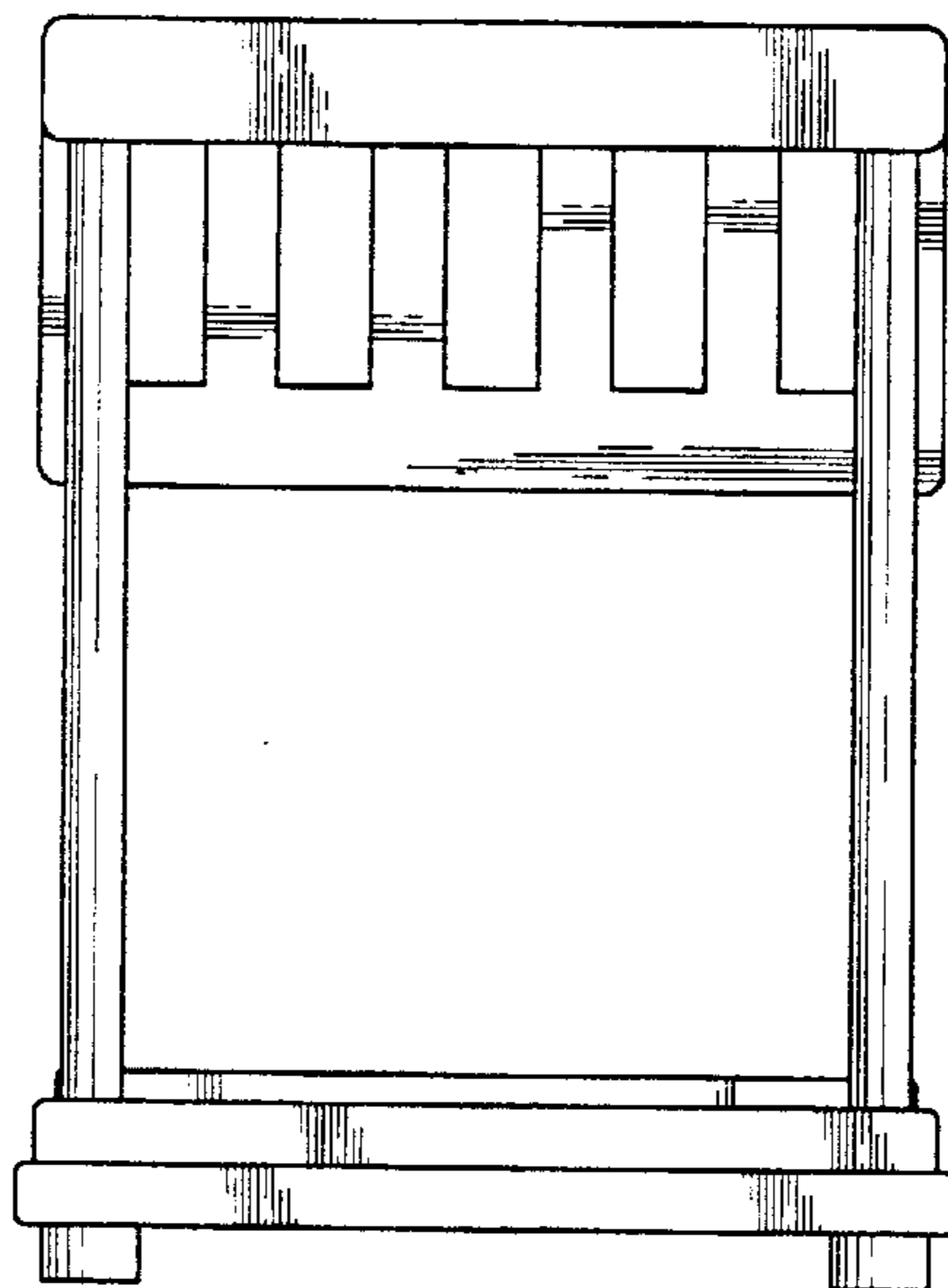


FIG. 5

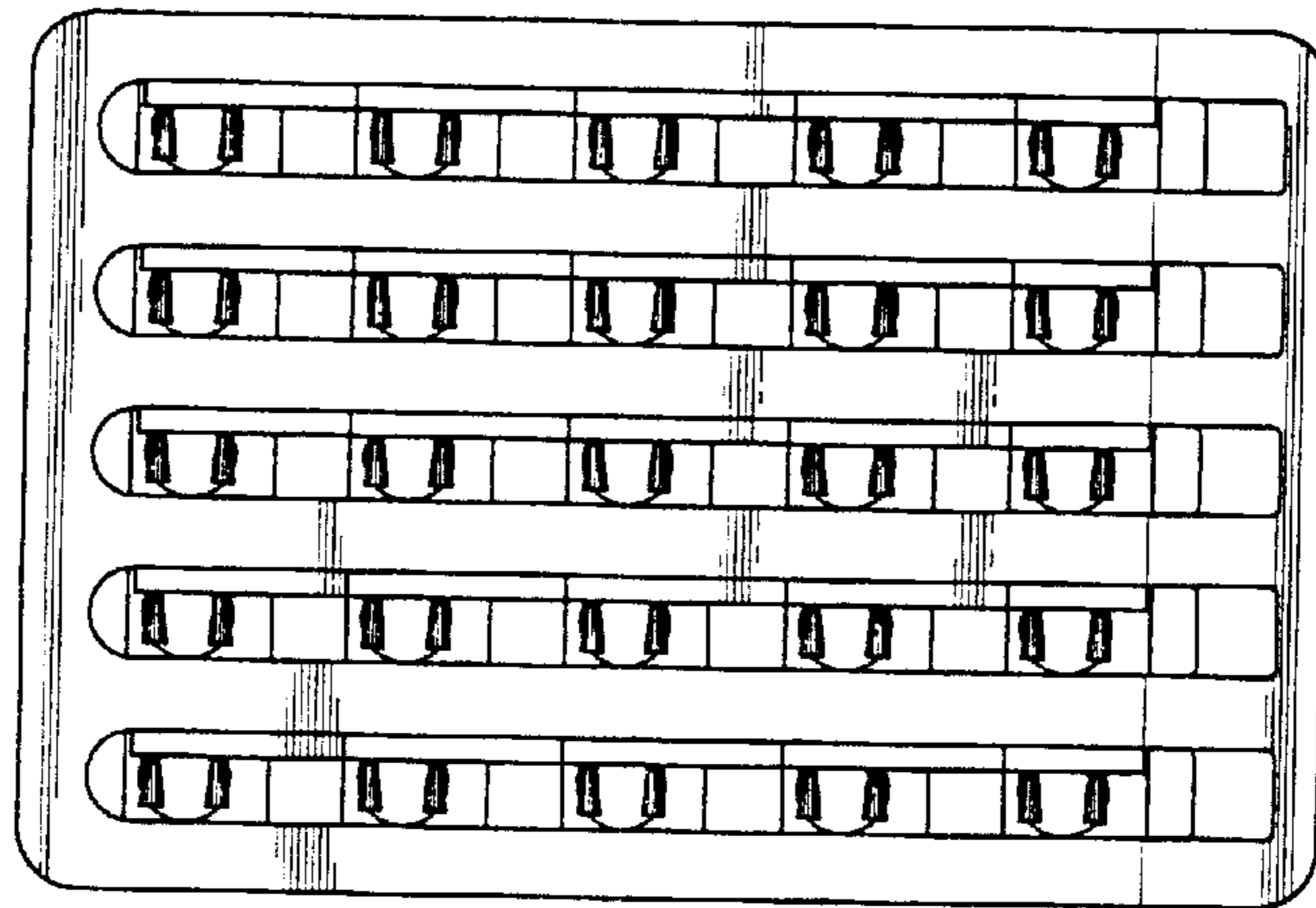


FIG. 6

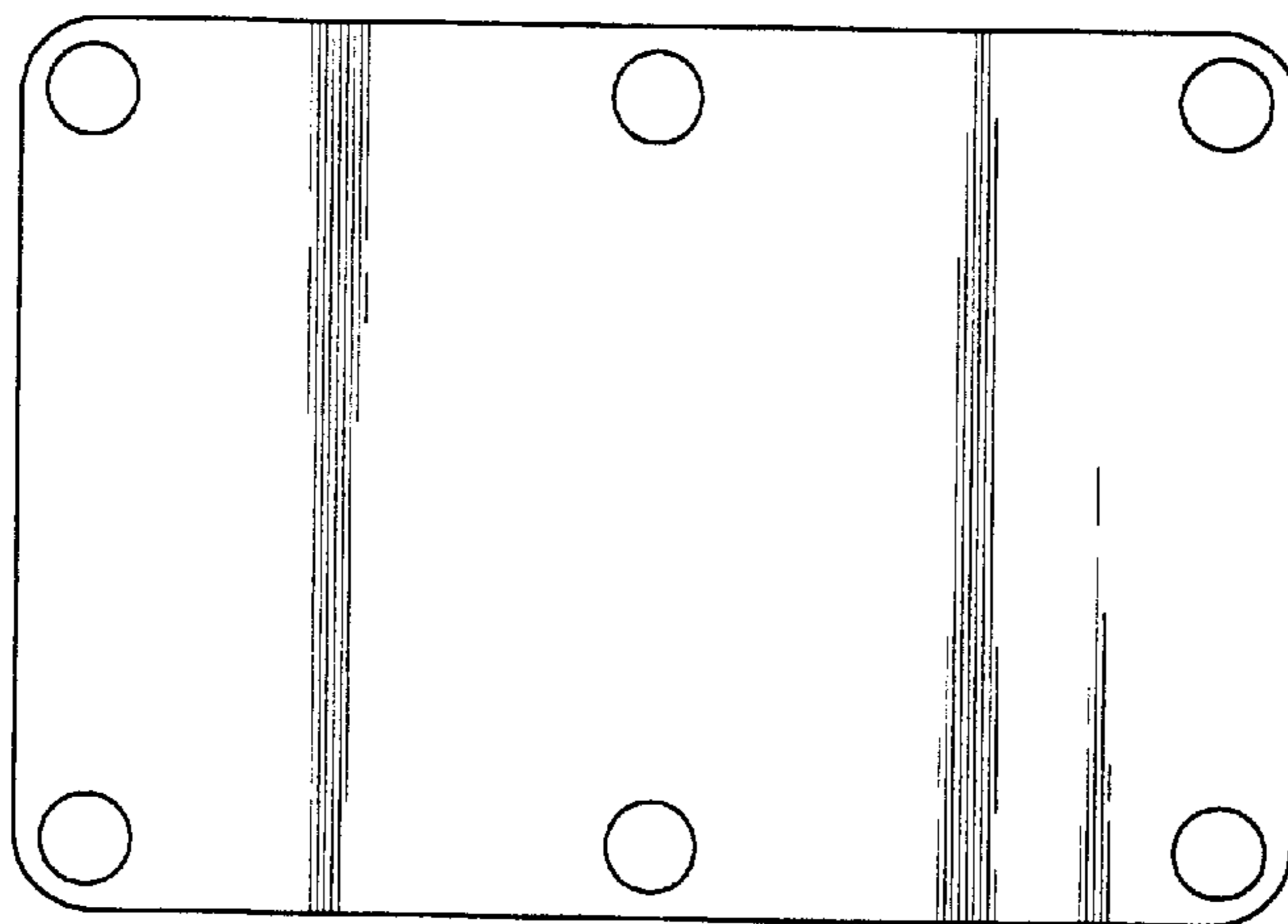


FIG. 7