



US00D461081S

(12) **United States Design Patent**
Ong

(10) **Patent No.:** **US D461,081 S**

(45) **Date of Patent:** **** Aug. 6, 2002**

(54) **LARGE TISSUE BOX COVER WITH VERTICAL GROOVES**

Primary Examiner—Brian N. Vinson
(74) *Attorney, Agent, or Firm*—Charles H. Thomas

(76) **Inventor:** **Bon S. Ong**, Box 4247, Torrance, CA (US) 90510

(57) **CLAIM**

I claim the ornamental design for the article large tissue box cover with vertical grooves, as shown and described.

(**) **Term:** **14 Years**

DESCRIPTION

(21) **Appl. No.:** **29/155,445**

(22) **Filed:** **Feb. 12, 2002**

(51) **LOC (7) Cl.** **20-02**

(52) **U.S. Cl.** **D6/518**

(58) **Field of Search** D6/515-523; 312/34.1, 312/34.4; 206/804, 812; 211/13.1, 48, 49; 221/22, 33, 45, 286

FIG. 1 is a perspective view of one embodiment of a large tissue box cover with vertical grooves having wood grain surface appearances and illustrating my new design;

FIG. 2 is a left-side elevational view thereof, it being understood that the undisclosed right-side elevational view is identical thereto;

FIG. 3 is a front elevational view thereof, it being understood that the undisclosed rear elevational view is identical thereto;

FIG. 4 is a top plan view thereof;

FIG. 5 is a bottom plan view thereof;

FIG. 6 is a perspective view of an alternative embodiment of a large tissue box cover with vertical grooves formed with smooth, plain surfaces and showing my new design;

FIG. 7 is a left-side elevational view thereof, it being understood that the undisclosed right-side elevational view is identical thereto;

FIG. 8 is a front elevational view thereof, it being understood that the undisclosed rear elevational view is identical thereto;

FIG. 9 is a top plan view thereof; and,

FIG. 10 is a bottom plan view thereof.

(56) **References Cited**

U.S. PATENT DOCUMENTS

2,433,587 A	*	12/1947	Wentworth	206/804 X
D201,462 S	*	6/1965	Klein	D6/518
D205,629 S	*	8/1966	Hartley	D6/518
D205,721 S	*	9/1966	O'Neil	D6/518
D208,206 S		8/1967	Helgeson	D52/2
D304,651 S	*	11/1989	McKee	D6/520
D334,498 S	*	4/1993	Romme et al.	D6/515
D348,389 S	*	7/1994	Nigro	D6/515 X
D371,708 S		7/1996	Haley et al.	D6/518
D372,386 S		8/1996	Kuchenbecker	D6/518
D372,387 S	*	8/1996	Kuchenbecker	D6/518
D390,391 S		2/1998	Hsu	D6/518
D403,189 S		12/1998	Isaacson	D6/518
D424,342 S	*	5/2000	Pasquale	D6/518 X
D436,273 S		1/2001	Lange		

OTHER PUBLICATIONS

Ma Leck Catalogue (1980) p. 31, Tissue Box Covers ML 1550.

* cited by examiner

1 Claim, 6 Drawing Sheets

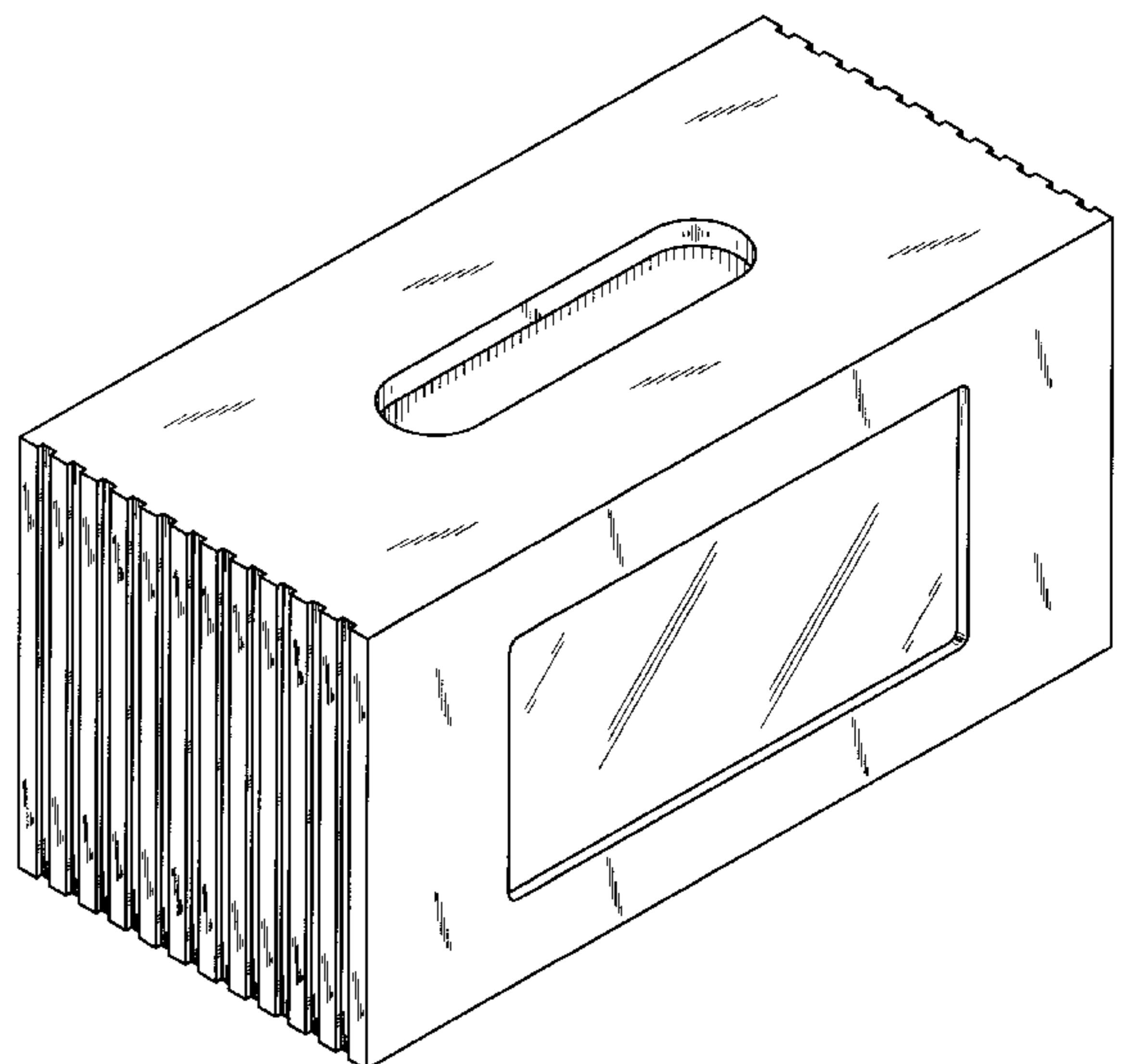
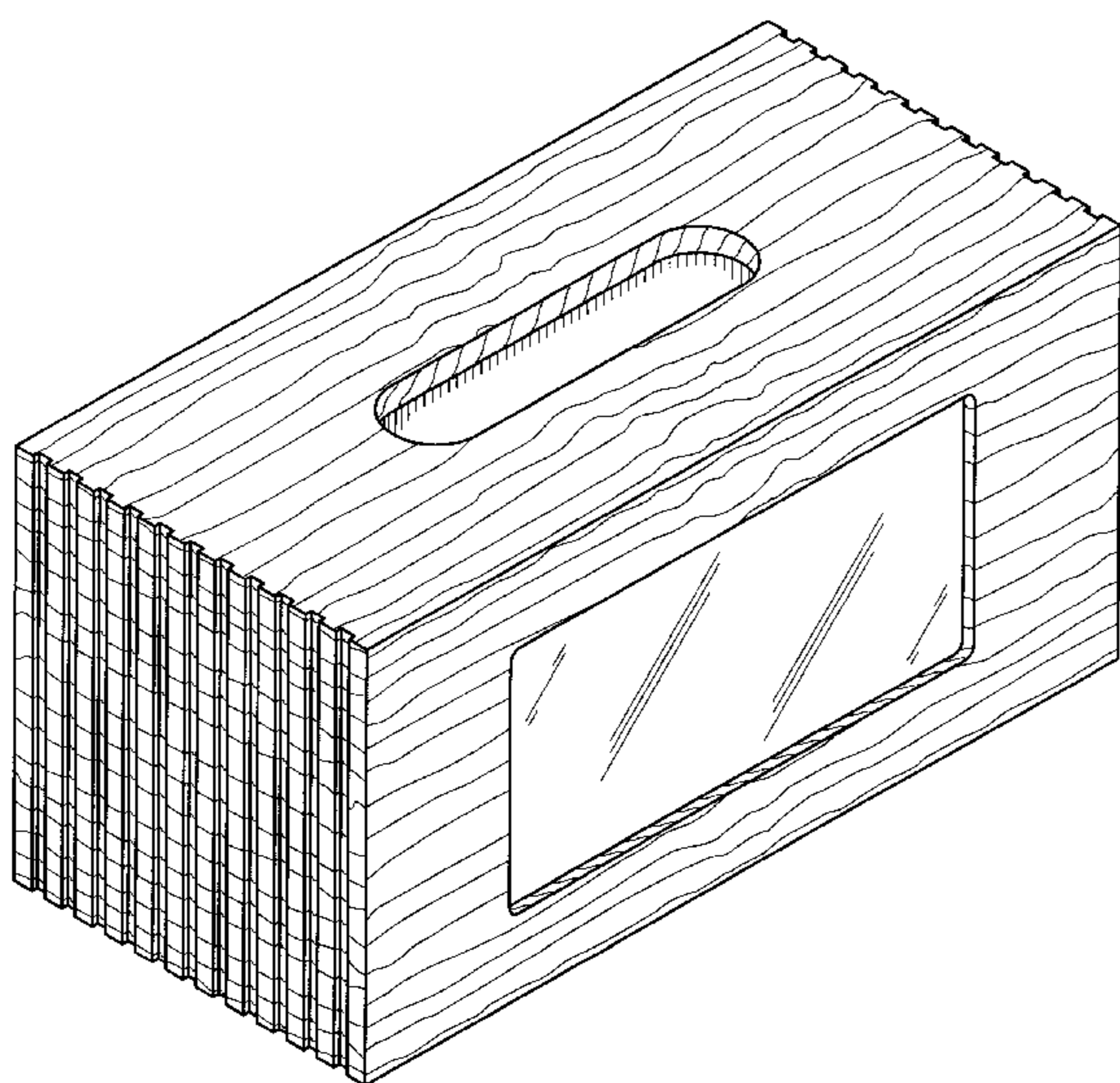


FIG. 1

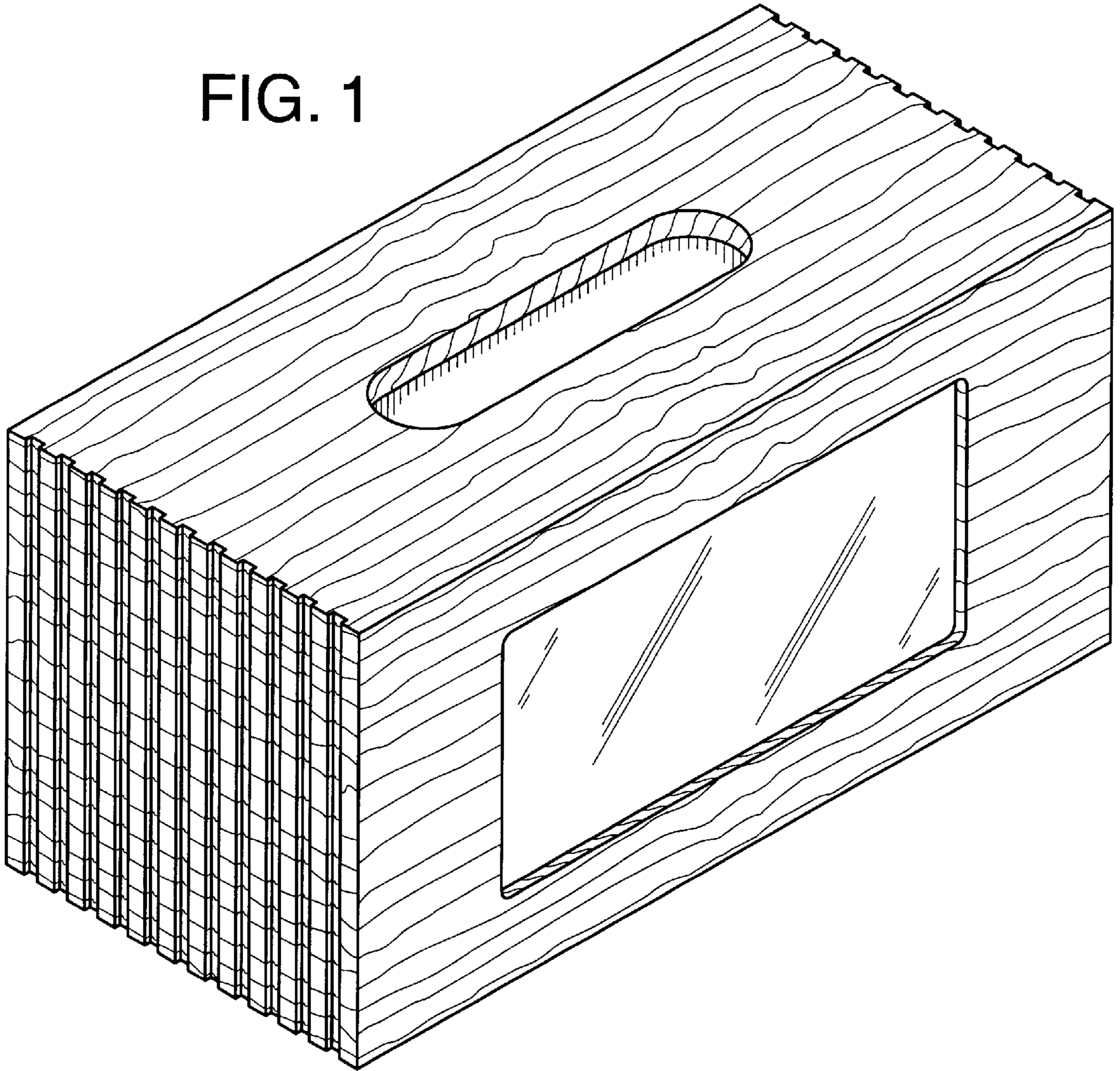


FIG. 3

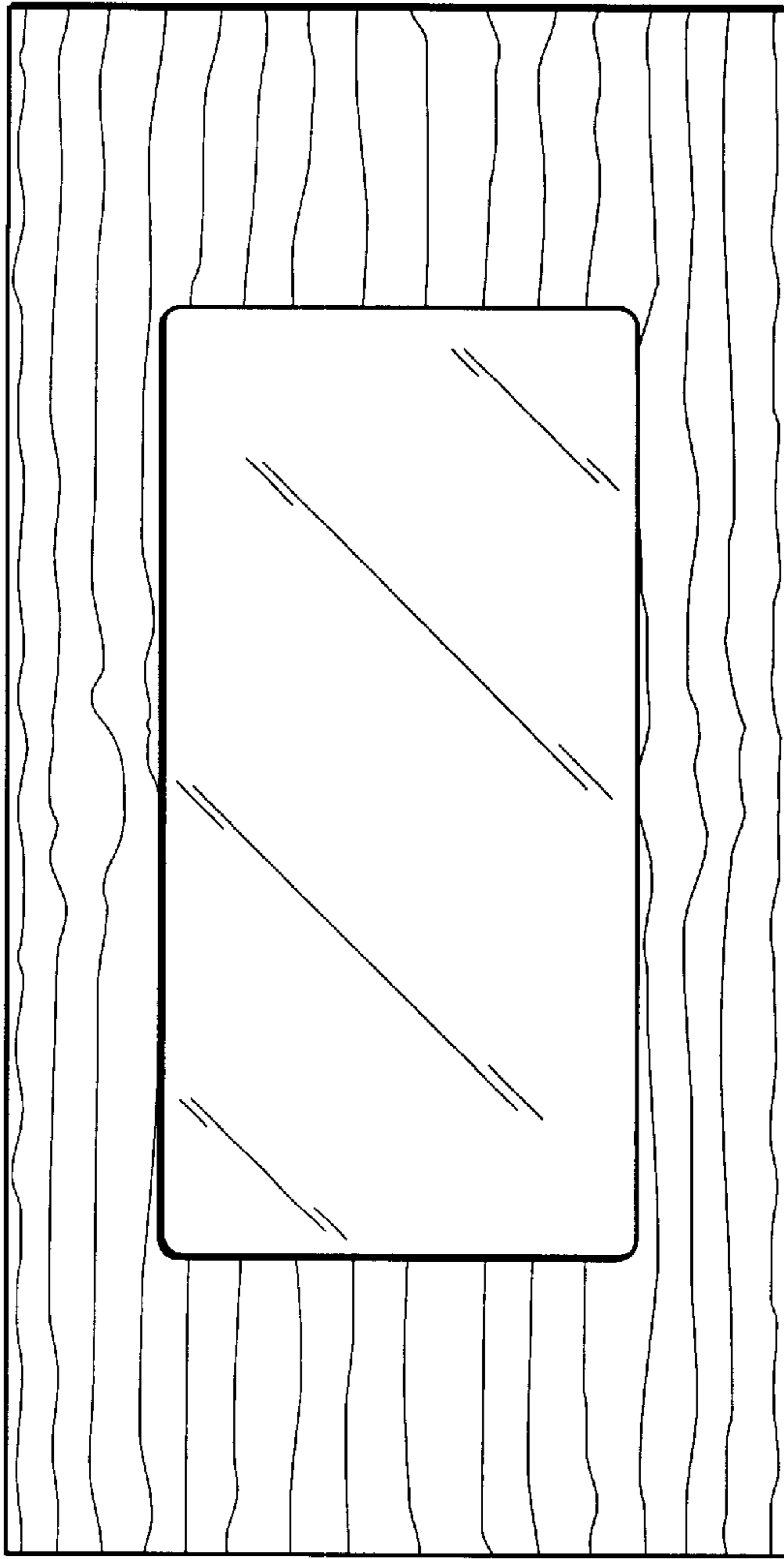


FIG. 2

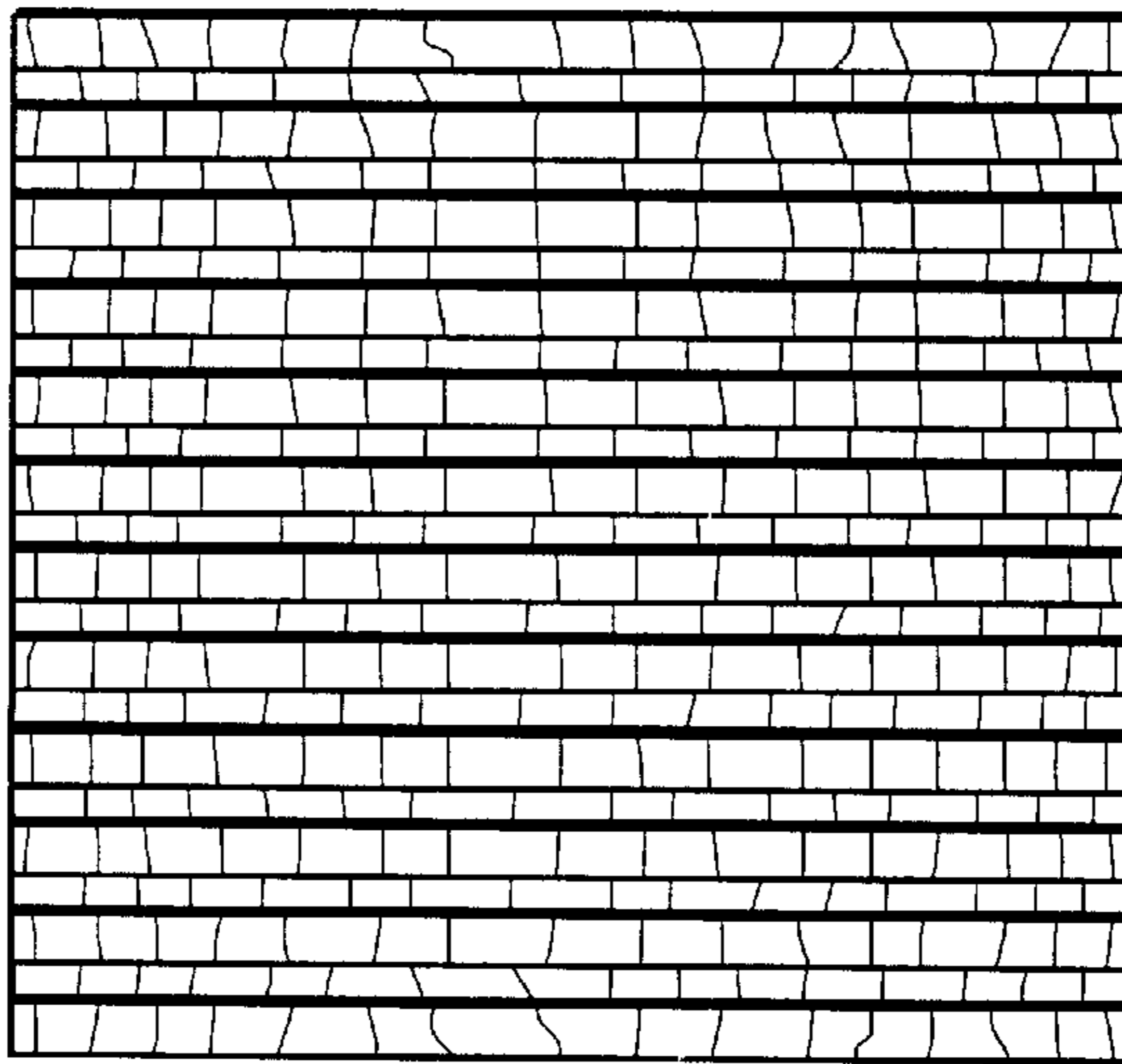


FIG. 4

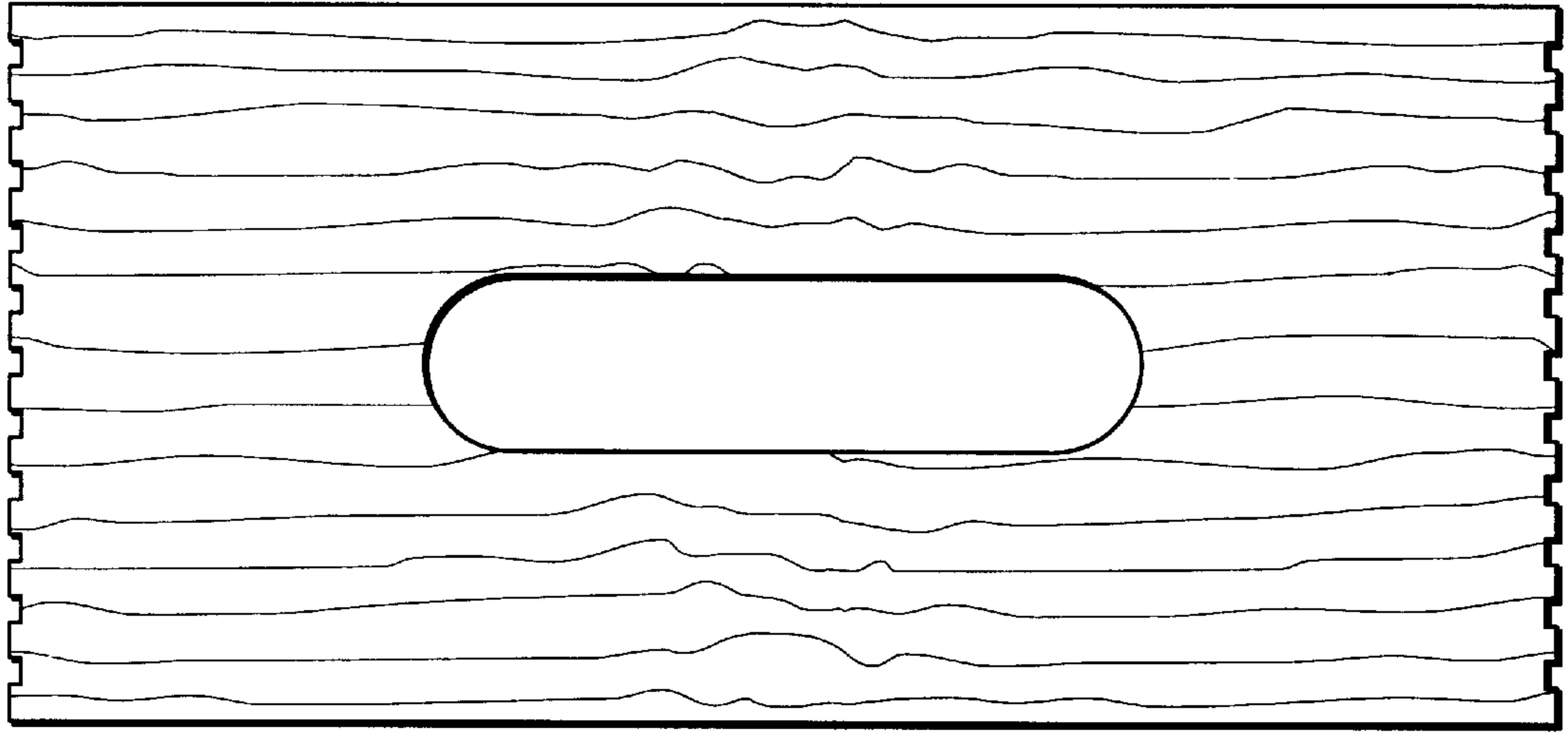


FIG. 5

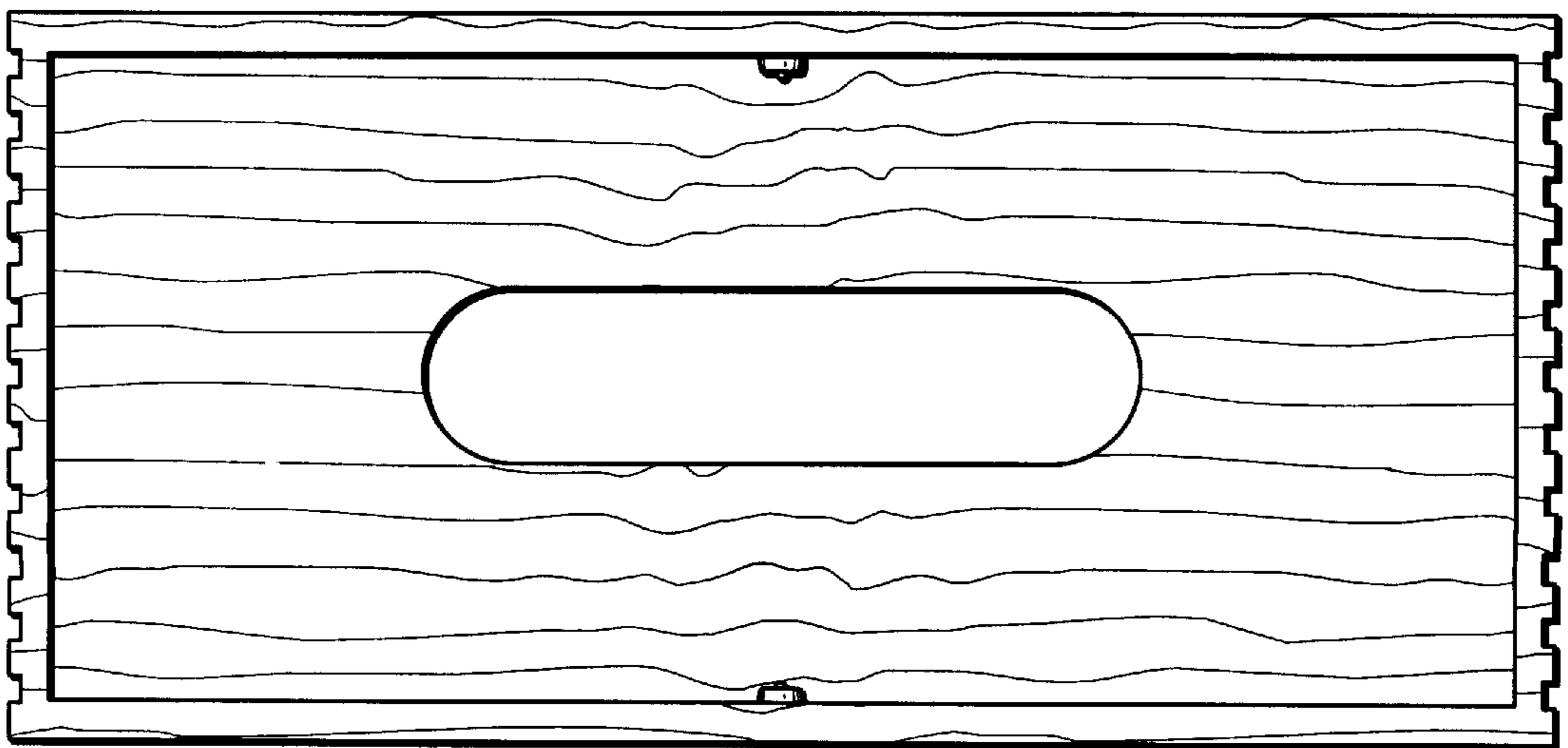


FIG. 6

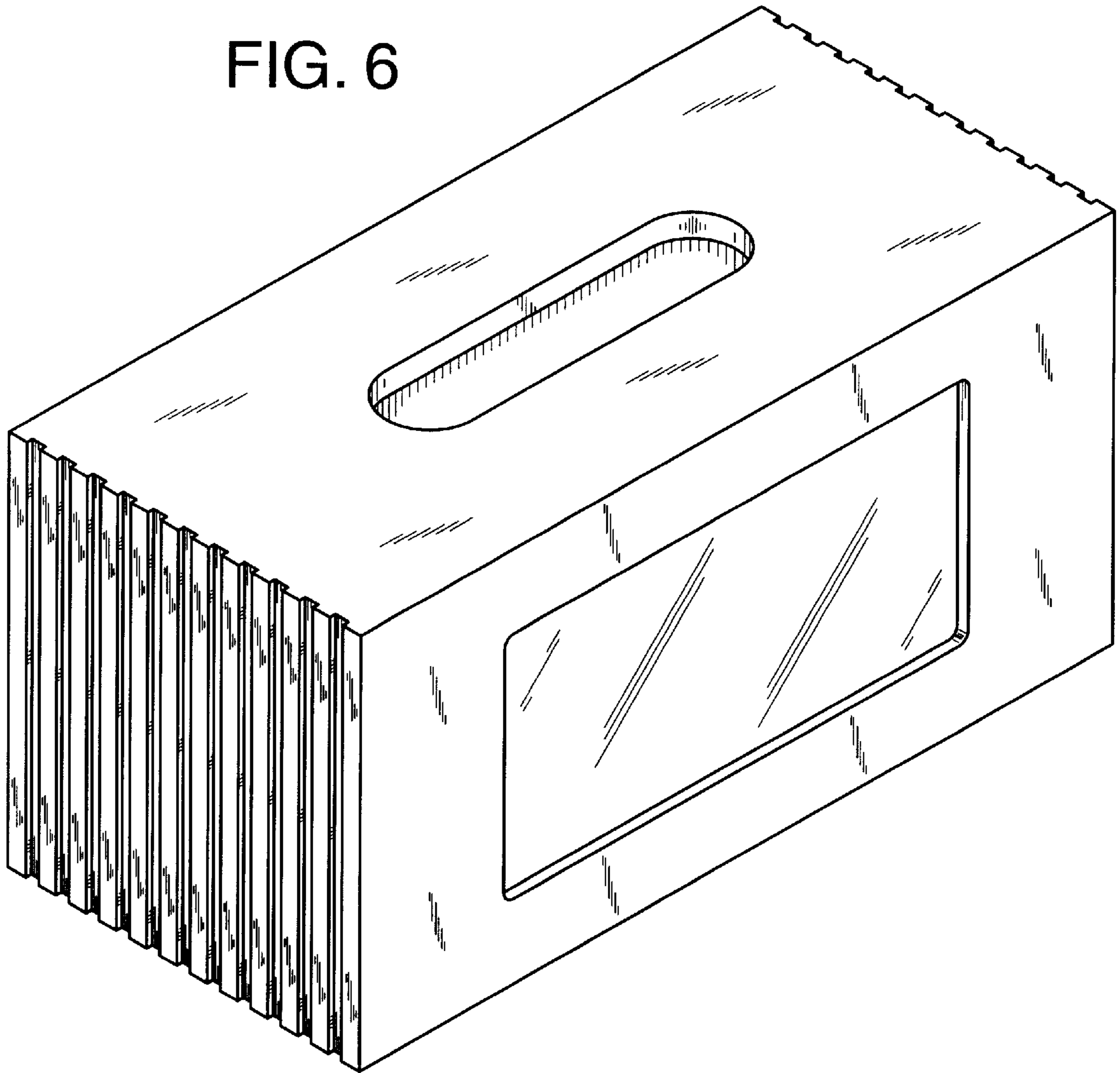


FIG. 8

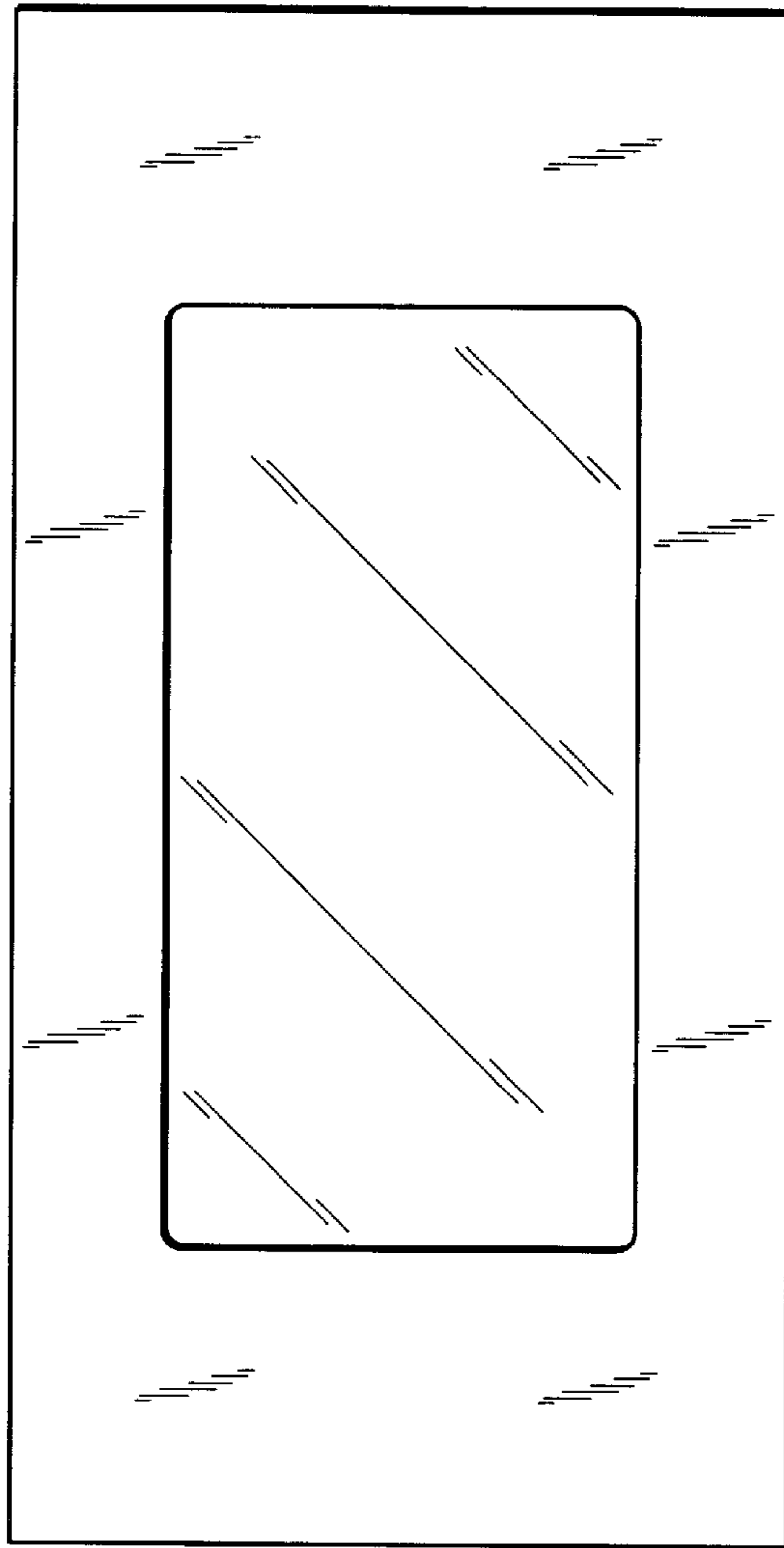


FIG. 7

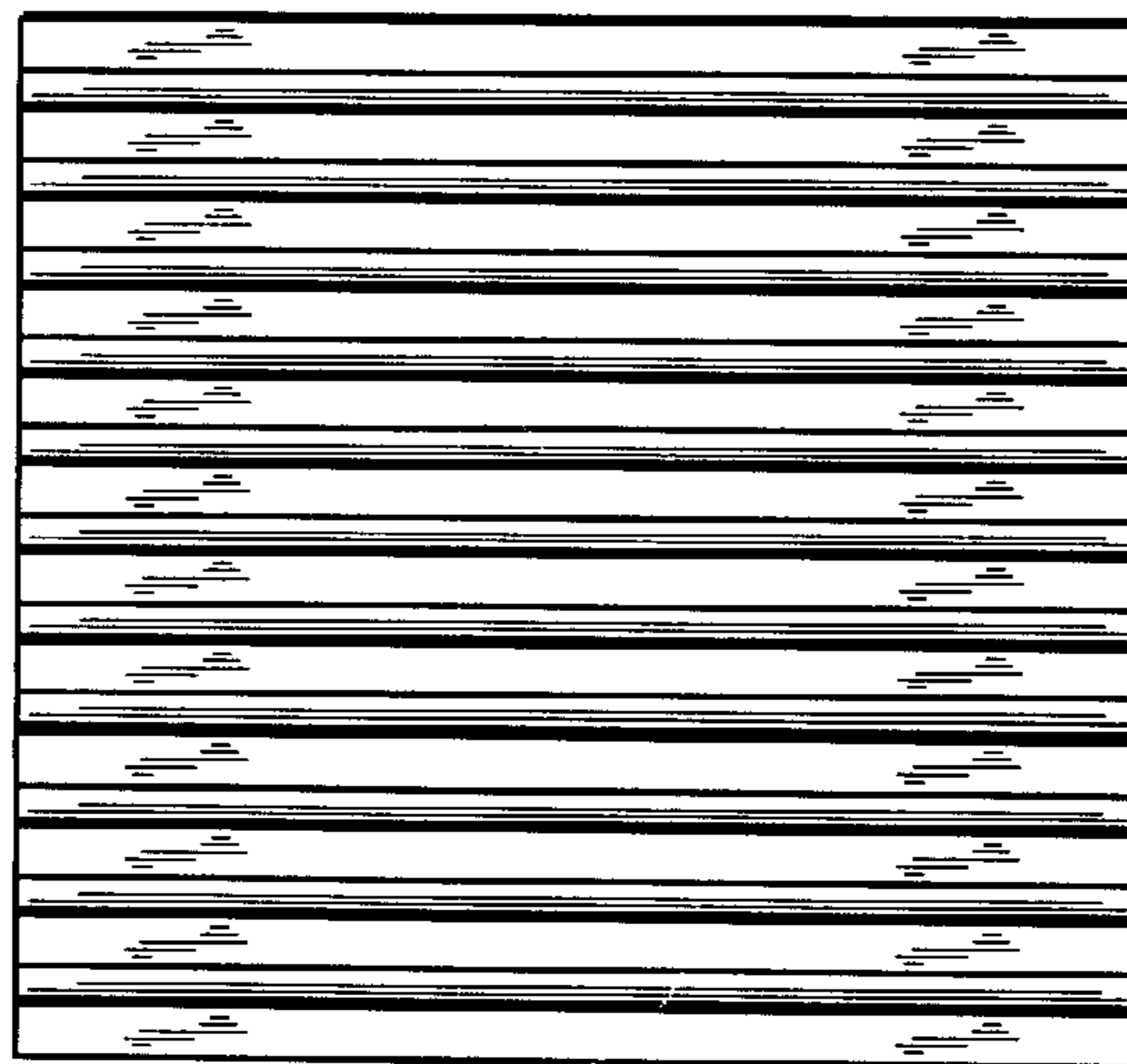


FIG. 9

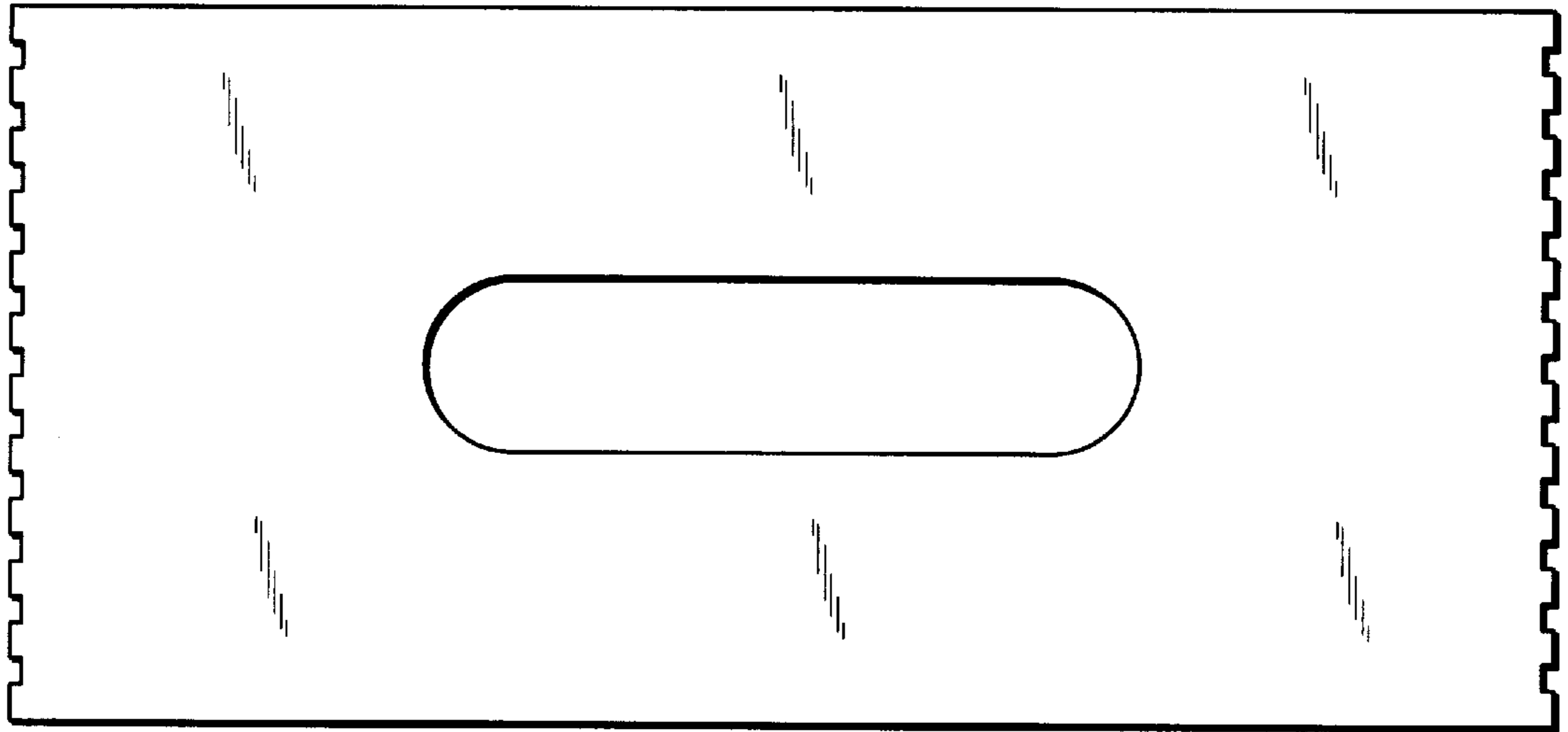


FIG. 10

