



US00D461077S

(12) **United States Design Patent**
Lee

(10) **Patent No.:** **US D461,077 S**

(45) **Date of Patent:** **** Aug. 6, 2002**

(54) **CHAIR ARMREST**

D440,437 S * 4/2001 Beaulieu D6/501
6,264,277 B1 * 7/2001 Lay 297/411.2

(76) Inventor: **Wan-Chen Lee**, 58, Ma Yuan West St.,
Taichung (TW)

* cited by examiner

(**) Term: **14 Years**

Primary Examiner—Gary D. Watson

(21) Appl. No.: **29/152,973**

(57) **CLAIM**

(22) Filed: **Oct. 18, 2001**

The ornamental design for a chair armrest, as shown and described.

(51) **LOC (7) Cl.** **06-06**

DESCRIPTION

(52) **U.S. Cl.** **D6/501; D6/366**

(58) **Field of Search** D6/334, 364, 365,
D6/366, 367, 379, 500, 501, 502; 297/411.2,
411.27, 411.36

FIG. 1 is a perspective view of a chair armrest showing my new design;

FIG. 2 is a front elevational view thereof;

FIG. 3 is a rear elevational view thereof;

FIG. 4 is a left side elevational view thereof;

FIG. 5 is a right side elevational view thereof;

FIG. 6 is a top plan view thereof; and,

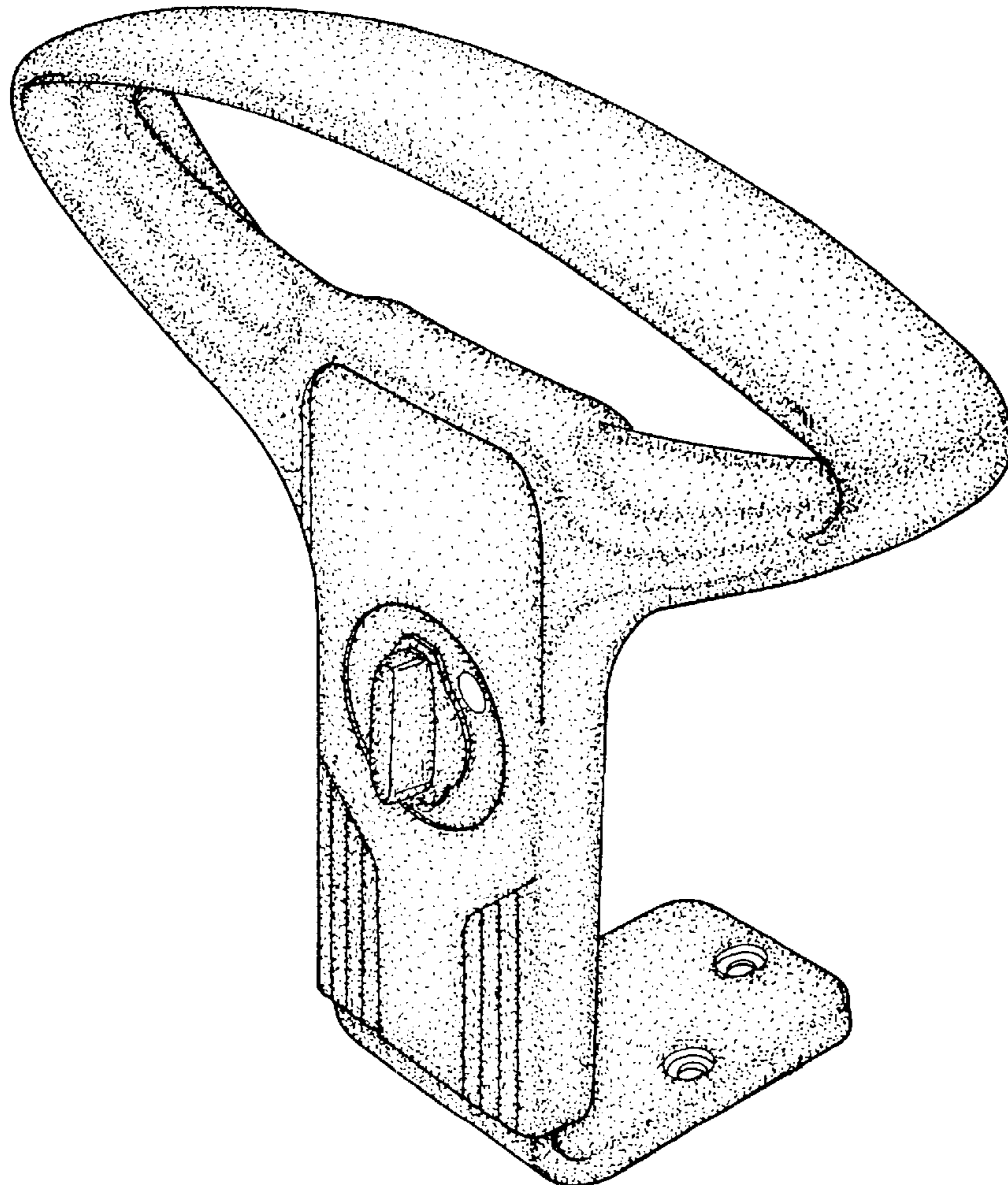
FIG. 7 is a bottom plan view thereof.

(56) **References Cited**

U.S. PATENT DOCUMENTS

D274,769 S * 7/1984 Klier D6/366
D345,874 S * 4/1994 Muller D6/501
D393,384 S * 4/1998 Tedesco et al. D6/501
D410,151 S * 5/1999 Chu D6/366

1 Claim, 6 Drawing Sheets



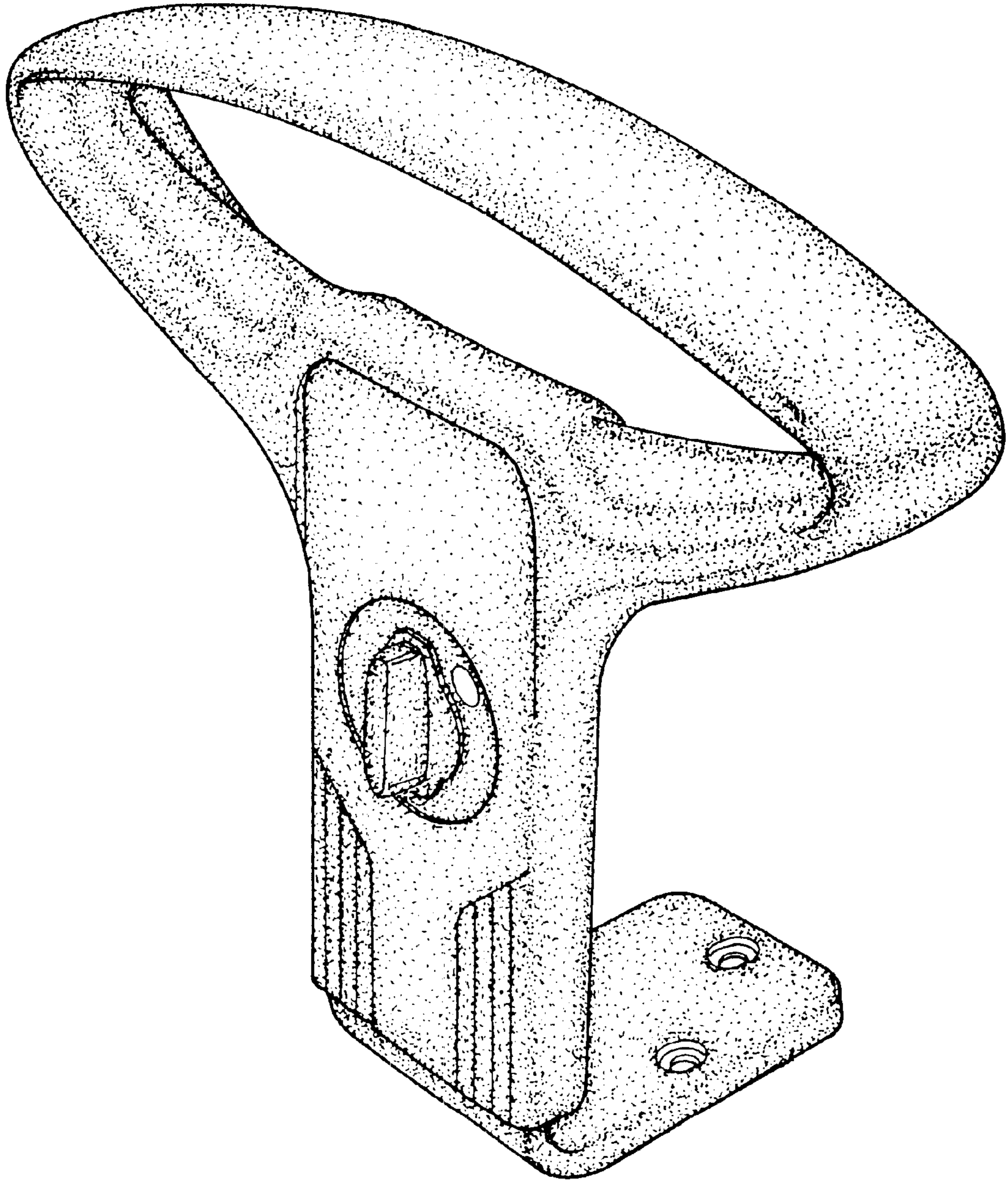


FIG. 1

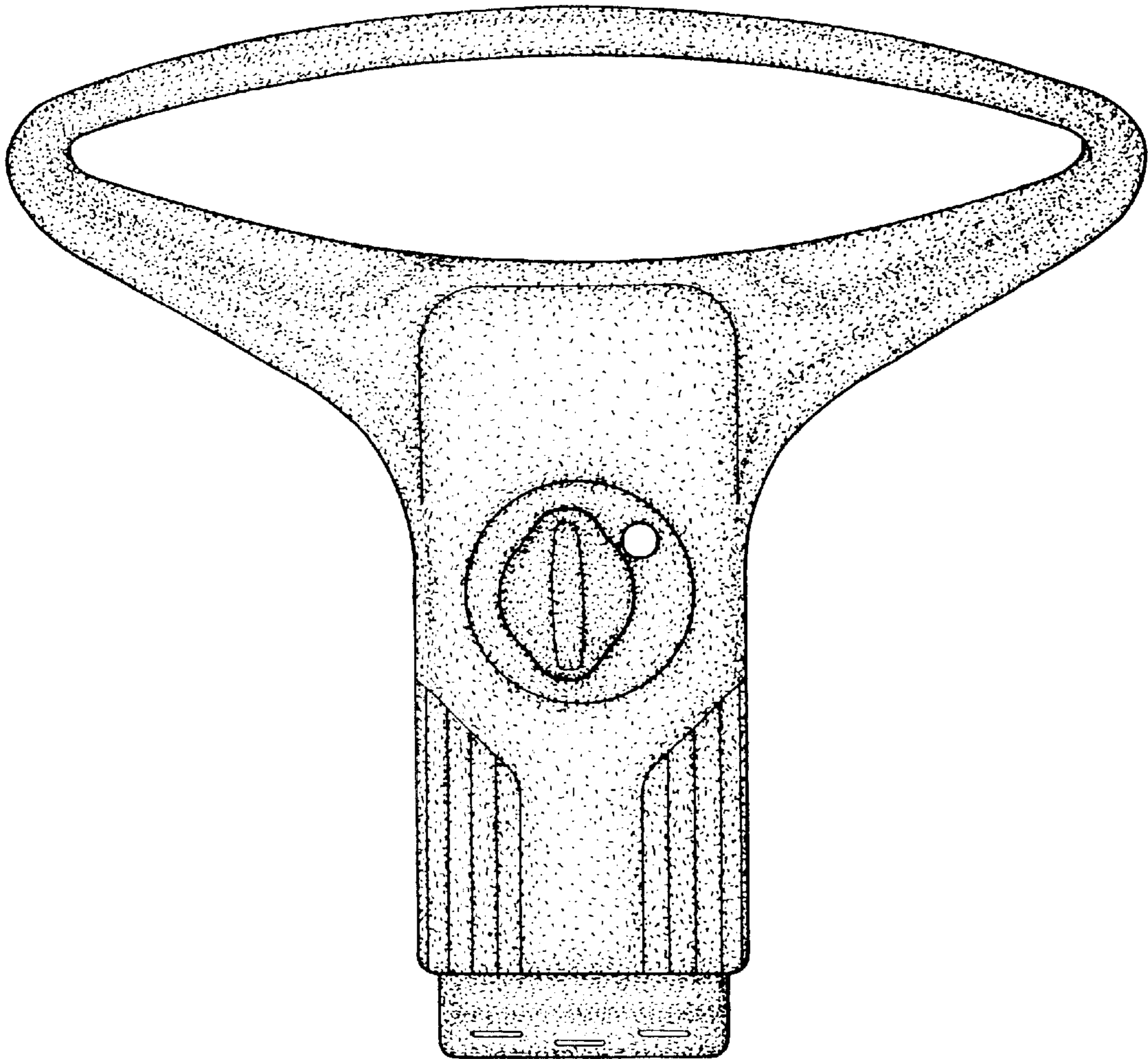


FIG. 2

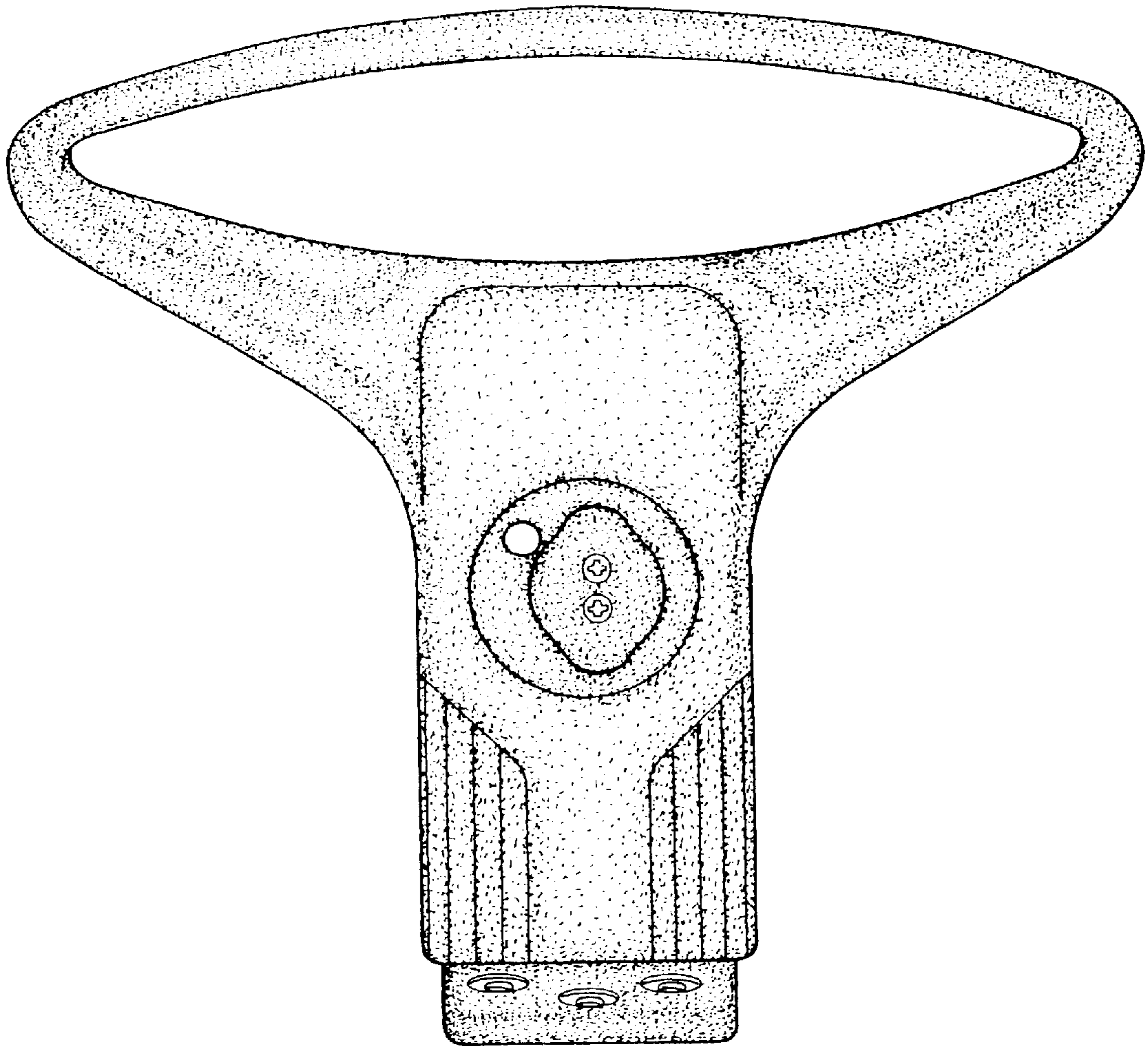


FIG. 3

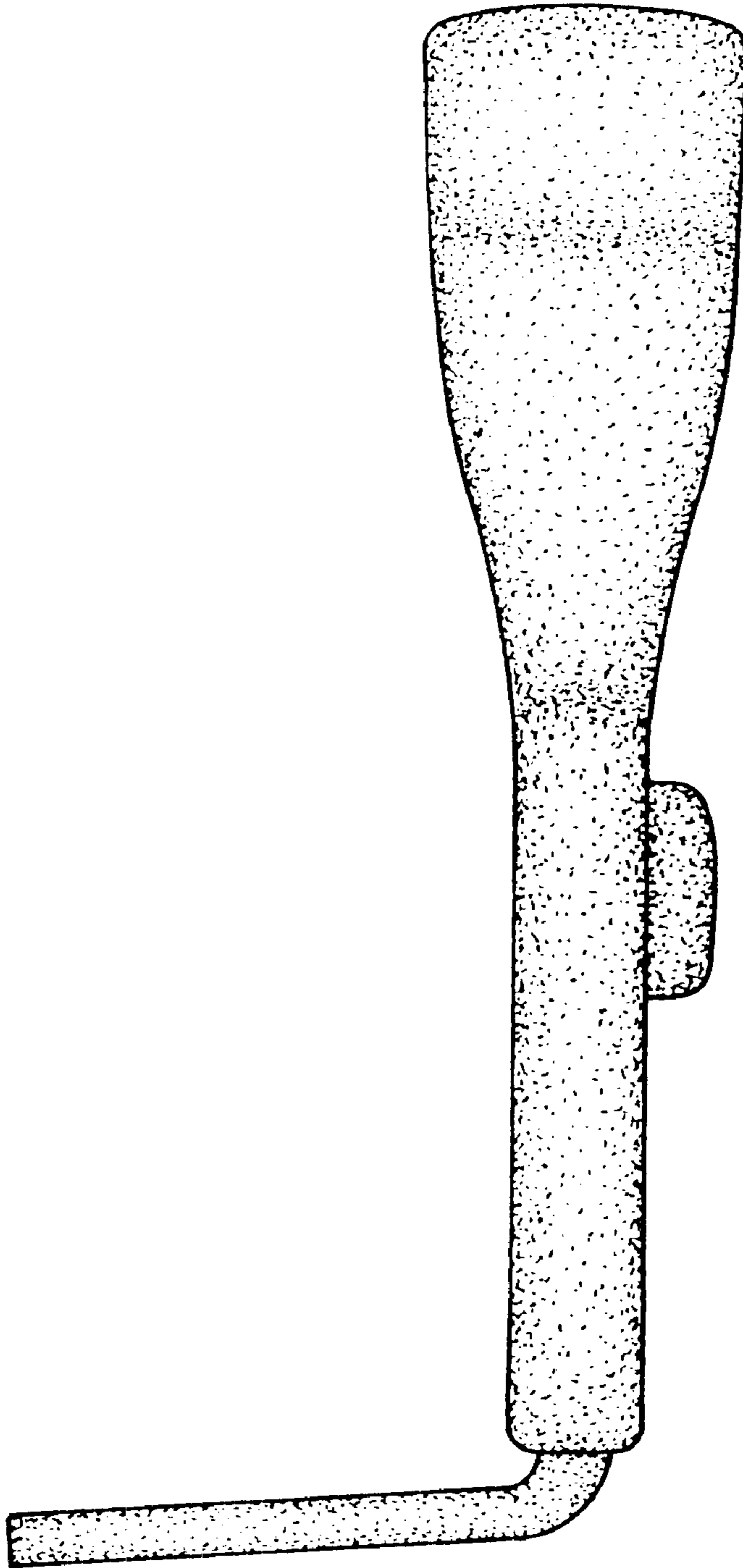


FIG. 4

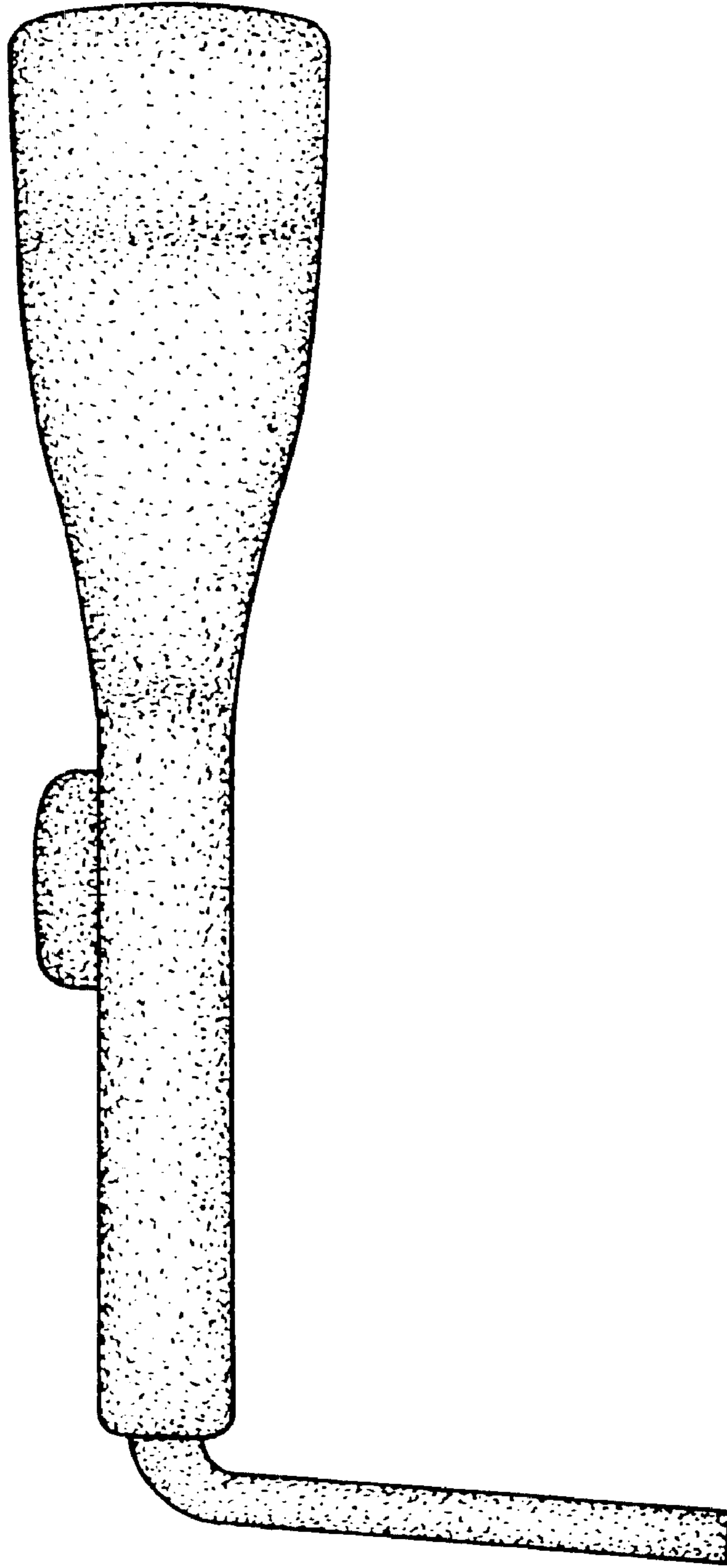


FIG. 5

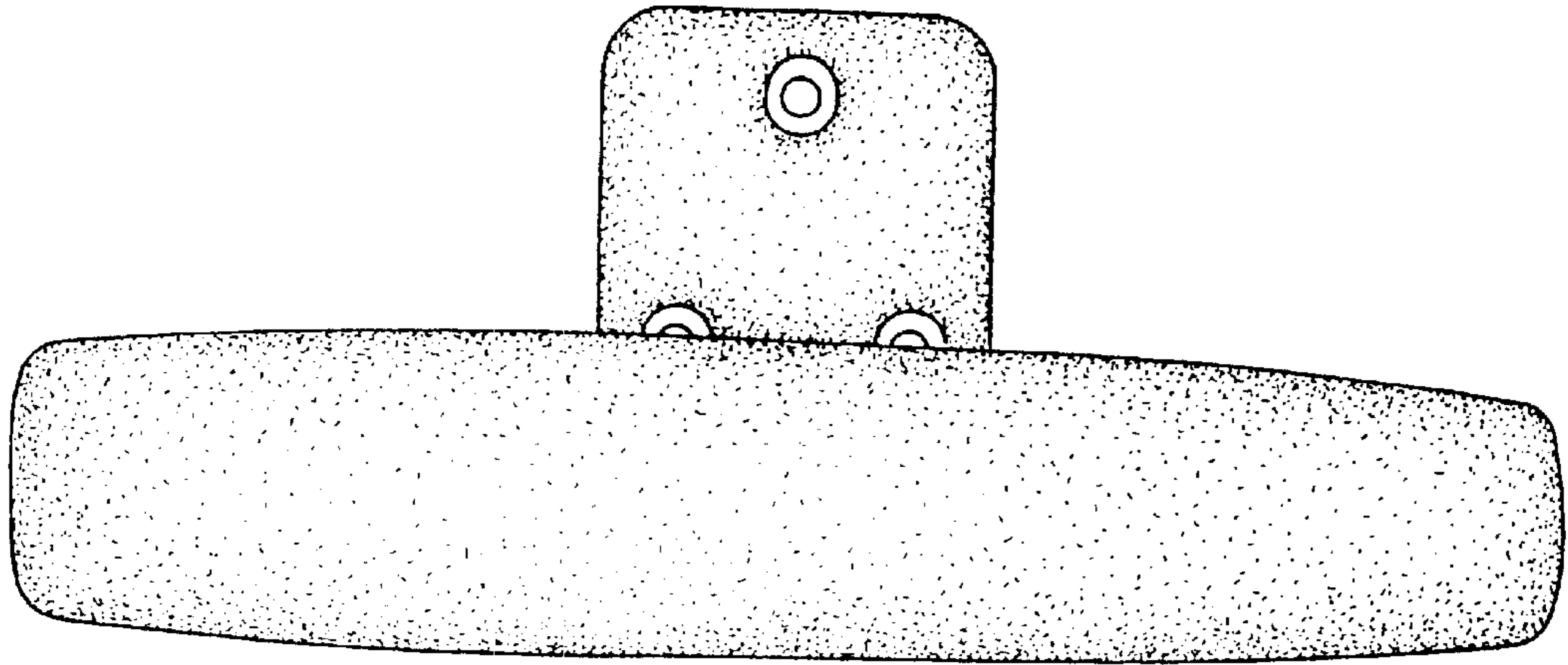


FIG. 6

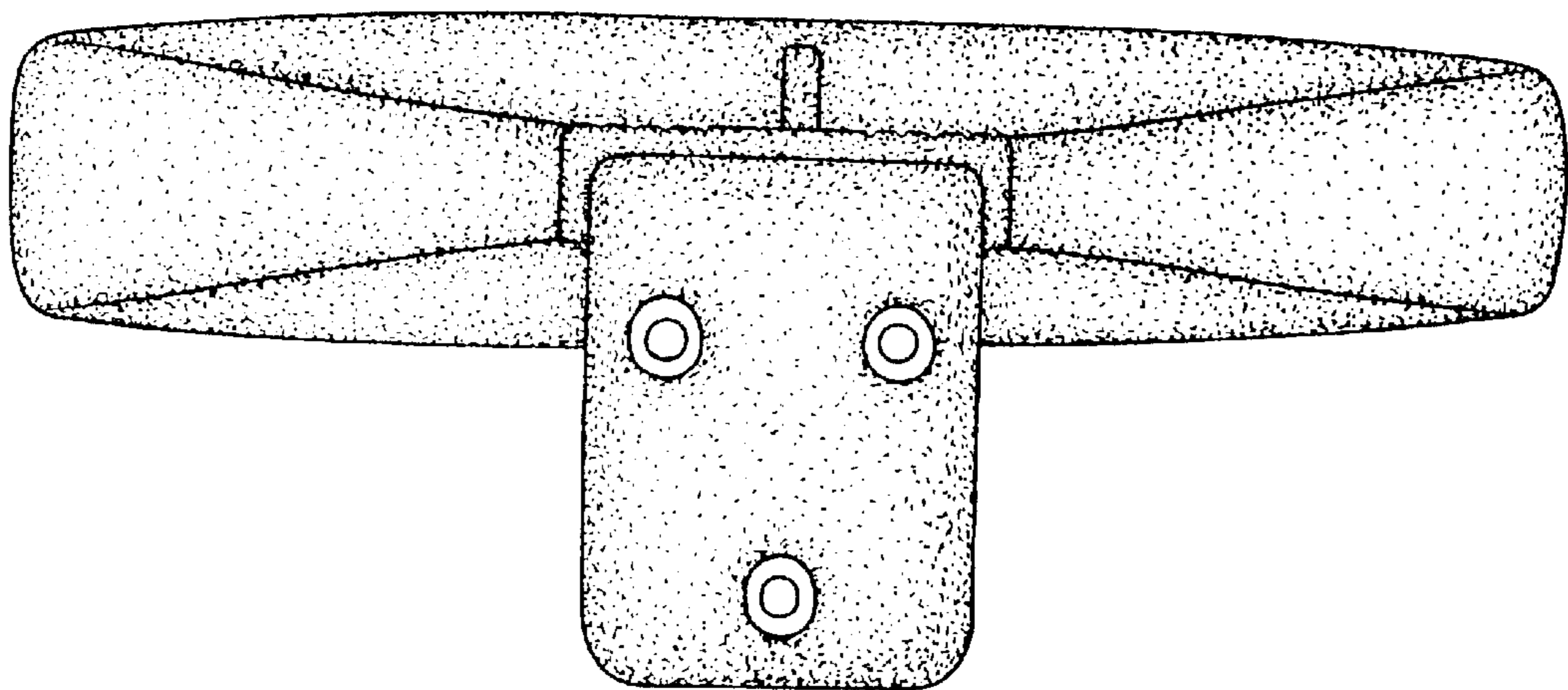


FIG. 7