

US00D461075S

(12) **United States Design Patent** (10) **Patent No.:** **US D461,075 S**
Silva (45) **Date of Patent:** **** Aug. 6, 2002**

(54) **EXECUTIVE CHAIR**

D401,428 S * 11/1998 Kaczmarek D6/366
D408,162 S * 4/1999 Olson et al. D6/366

(75) Inventor: **Don Silva**, Diablo, CA (US)

* cited by examiner

(73) Assignee: **National Upholstering Company**,
Emeryville, CA (US)

Primary Examiner—Gary D. Watson

(74) *Attorney, Agent, or Firm*—Thomas R. Lampe

(**) Term: **14 Years**

(57) **CLAIM**

(21) Appl. No.: **29/148,227**

The ornamental design for executive chair, as shown and described.

(22) Filed: **Sep. 17, 2001**

(51) **LOC (7) Cl.** **06-06**

DESCRIPTION

(52) **U.S. Cl.** **D6/500**; D6/366

FIG. 1 is a perspective view of executive chair showing my design;

(58) **Field of Search** D6/334, 364, 365,
D6/366, 367, 500, 501, 502; 297/411.2,
411.27, 411.28

FIG. 2 is a front elevation view thereof;

FIG. 3 is a left elevation side view, the right elevation side view being a mirror image;

FIG. 4 is a back elevation view thereof;

FIG. 5 is a top plan view thereof; and,

FIG. 6 is a bottom plan view thereof.

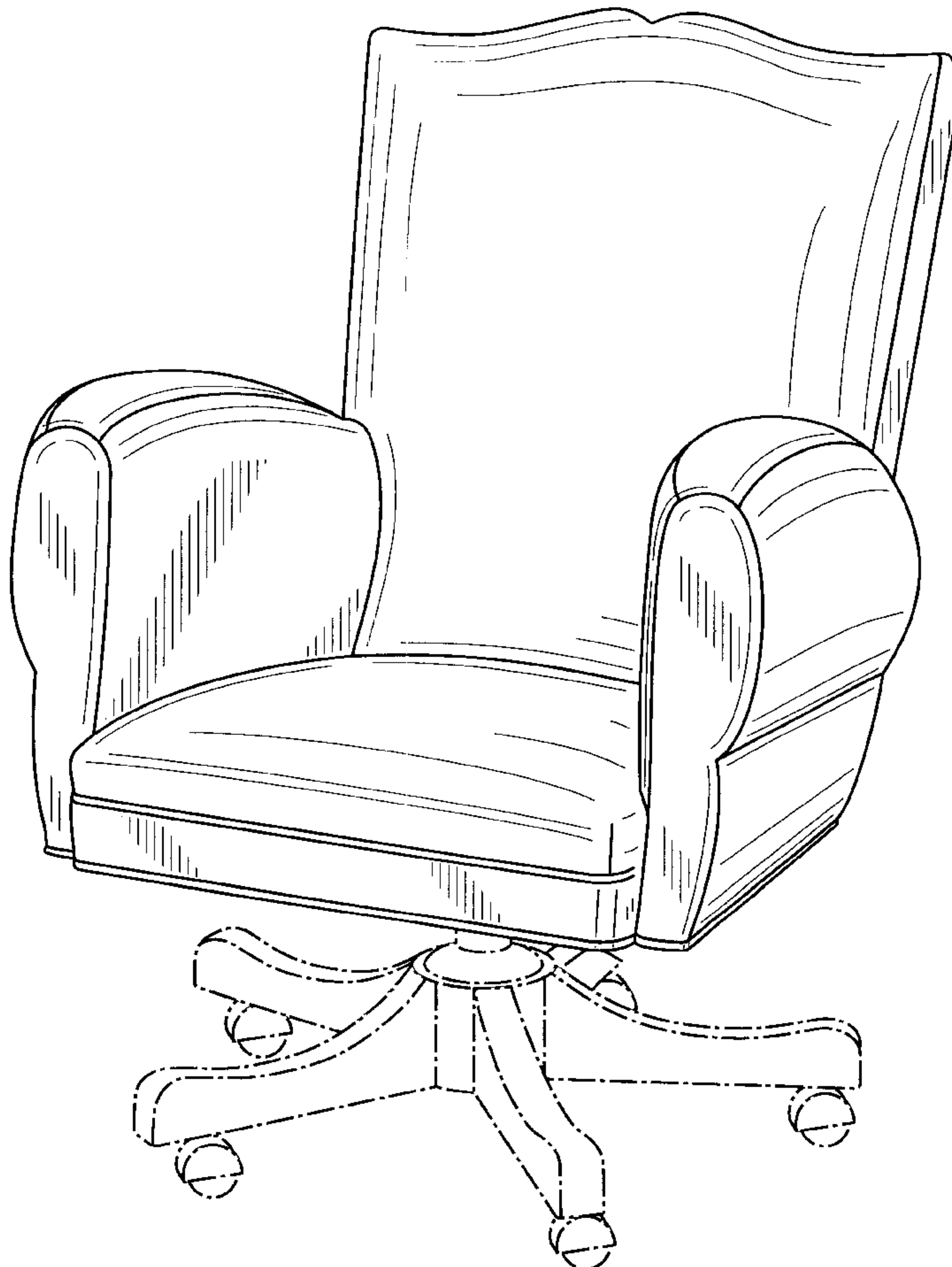
(56) **References Cited**

U.S. PATENT DOCUMENTS

- D267,371 S * 12/1982 Lopez-Benitez D6/366
- D273,539 S * 4/1984 Coggin D6/366
- D300,483 S * 4/1989 Jenkins D6/366
- D348,786 S * 7/1994 Tolleson et al. D6/366 X
- D375,210 S * 11/1996 Paus D6/334
- D386,622 S * 11/1997 Kelley et al. D6/366

The broken line showing of the chair base in certain figures of the drawing is for illustrative purposes only and forms no part of the claimed design.

1 Claim, 6 Drawing Sheets



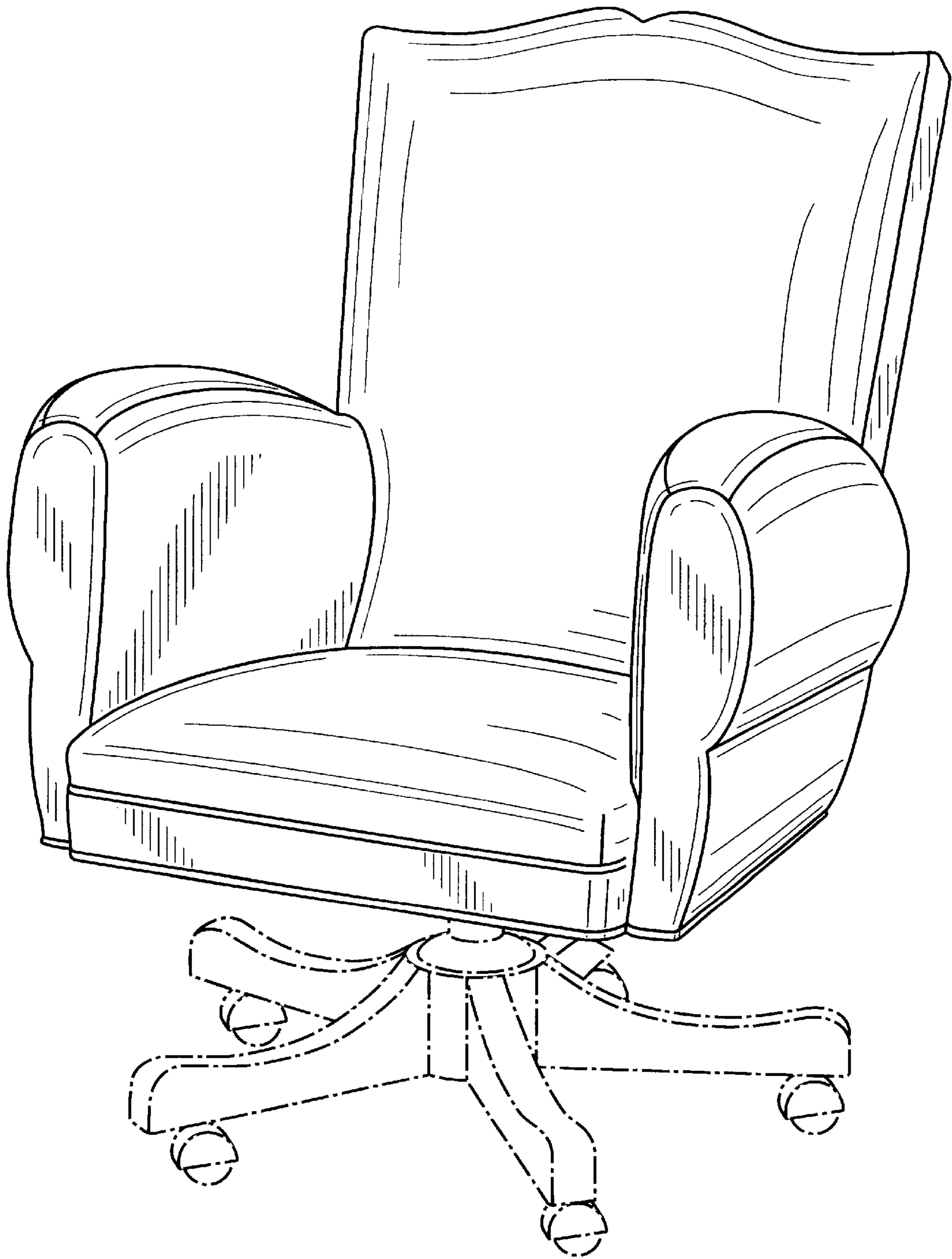


FIG. 1

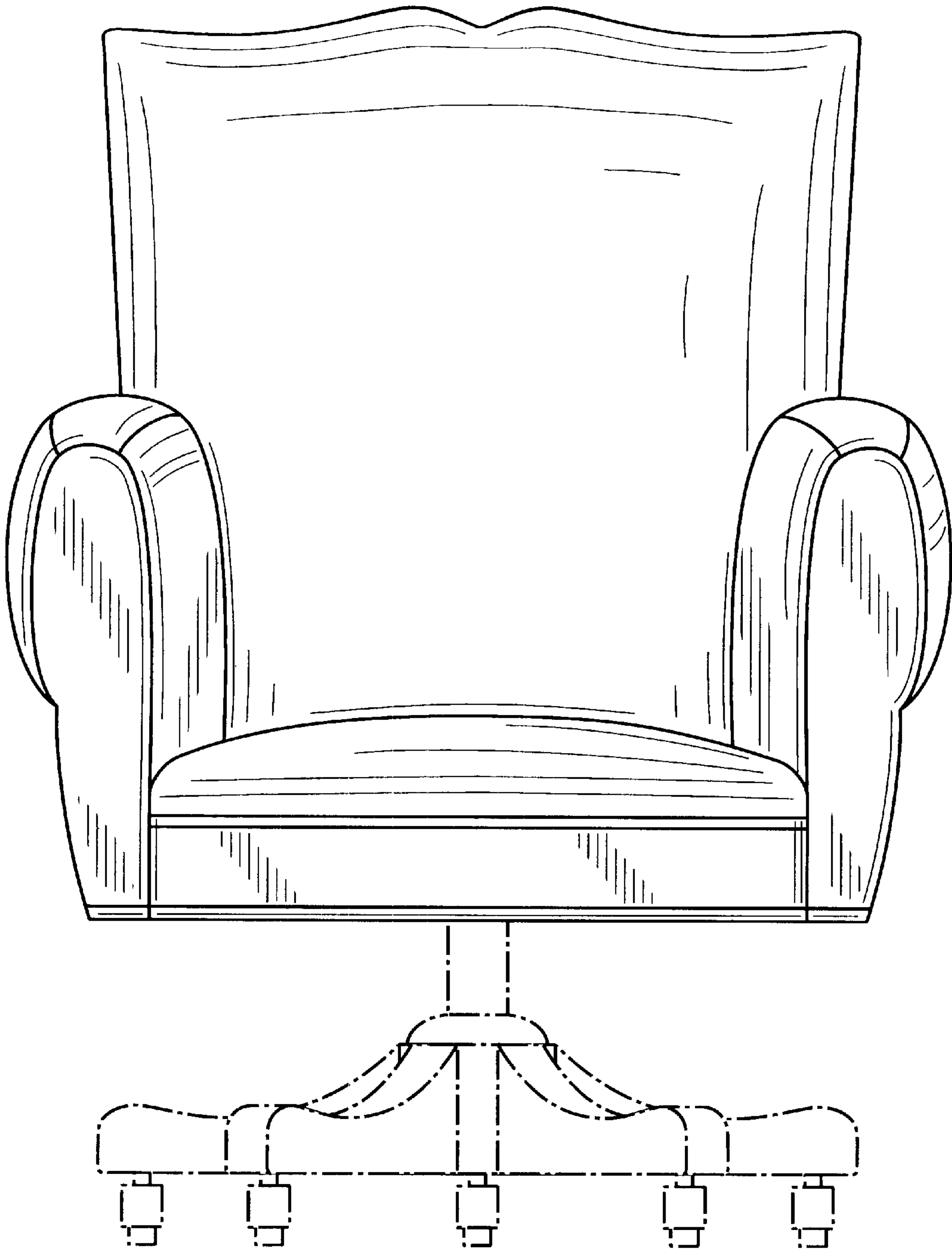


FIG. 2

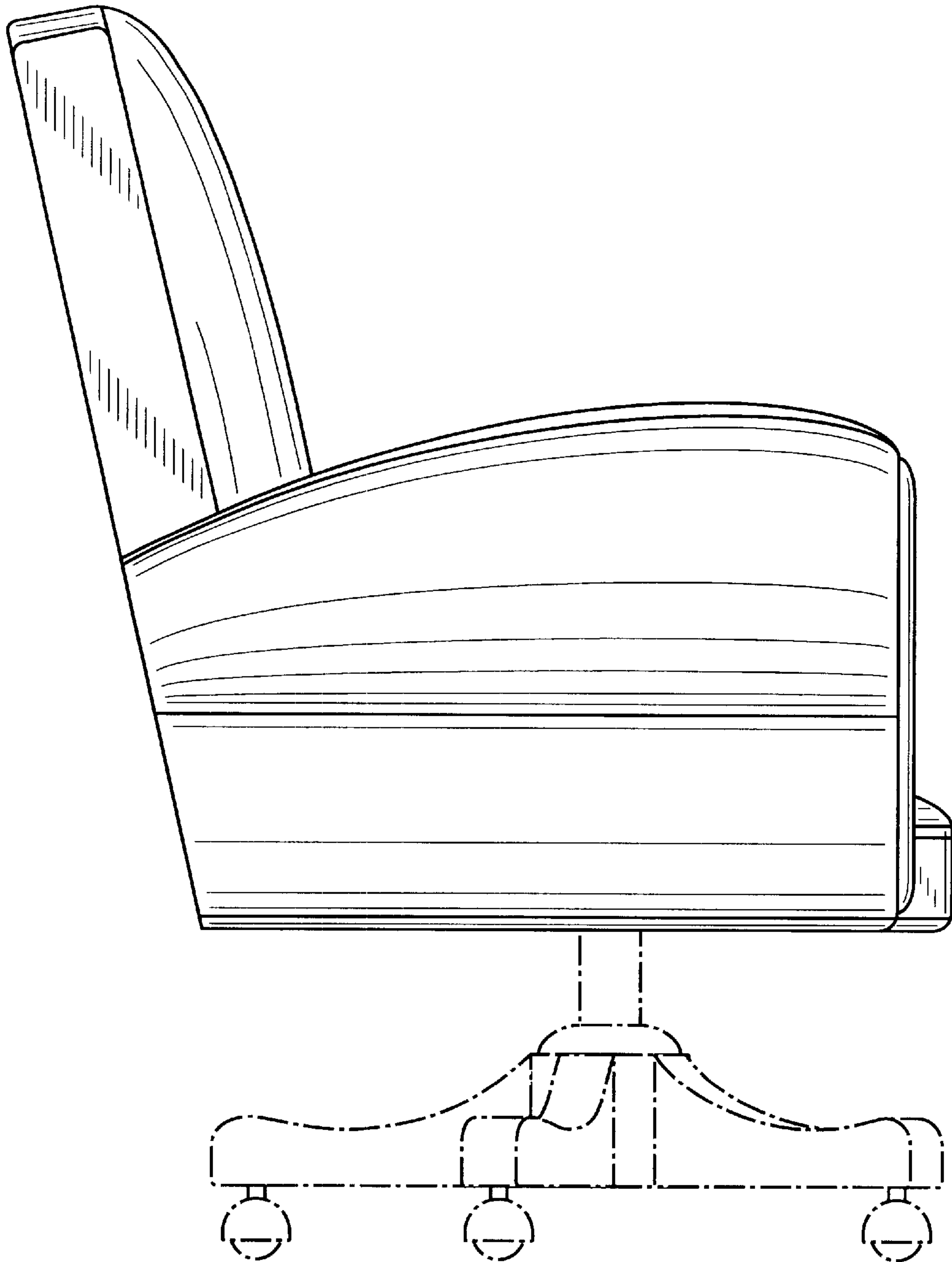


FIG. 3

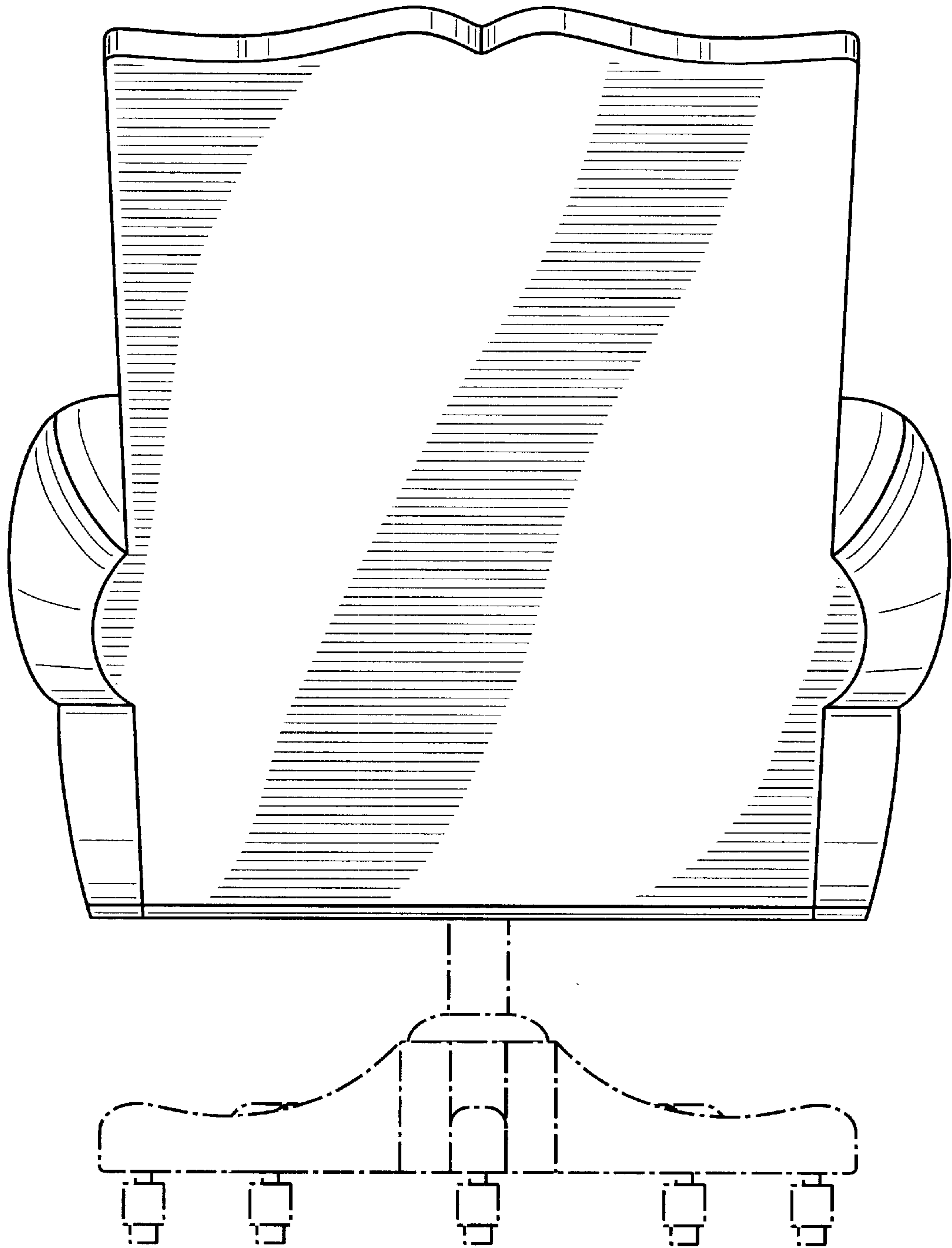


FIG. 4

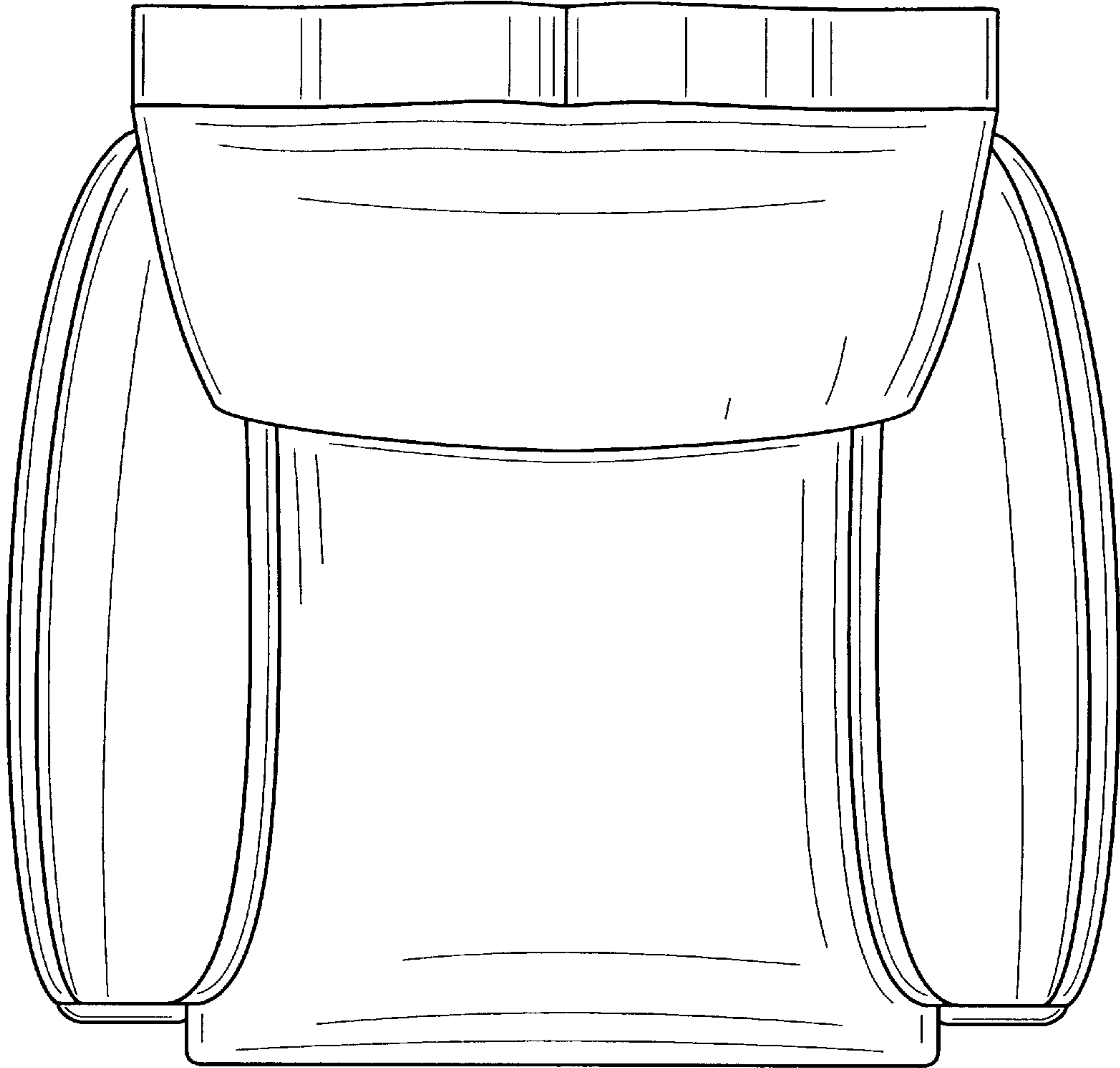


FIG. 5

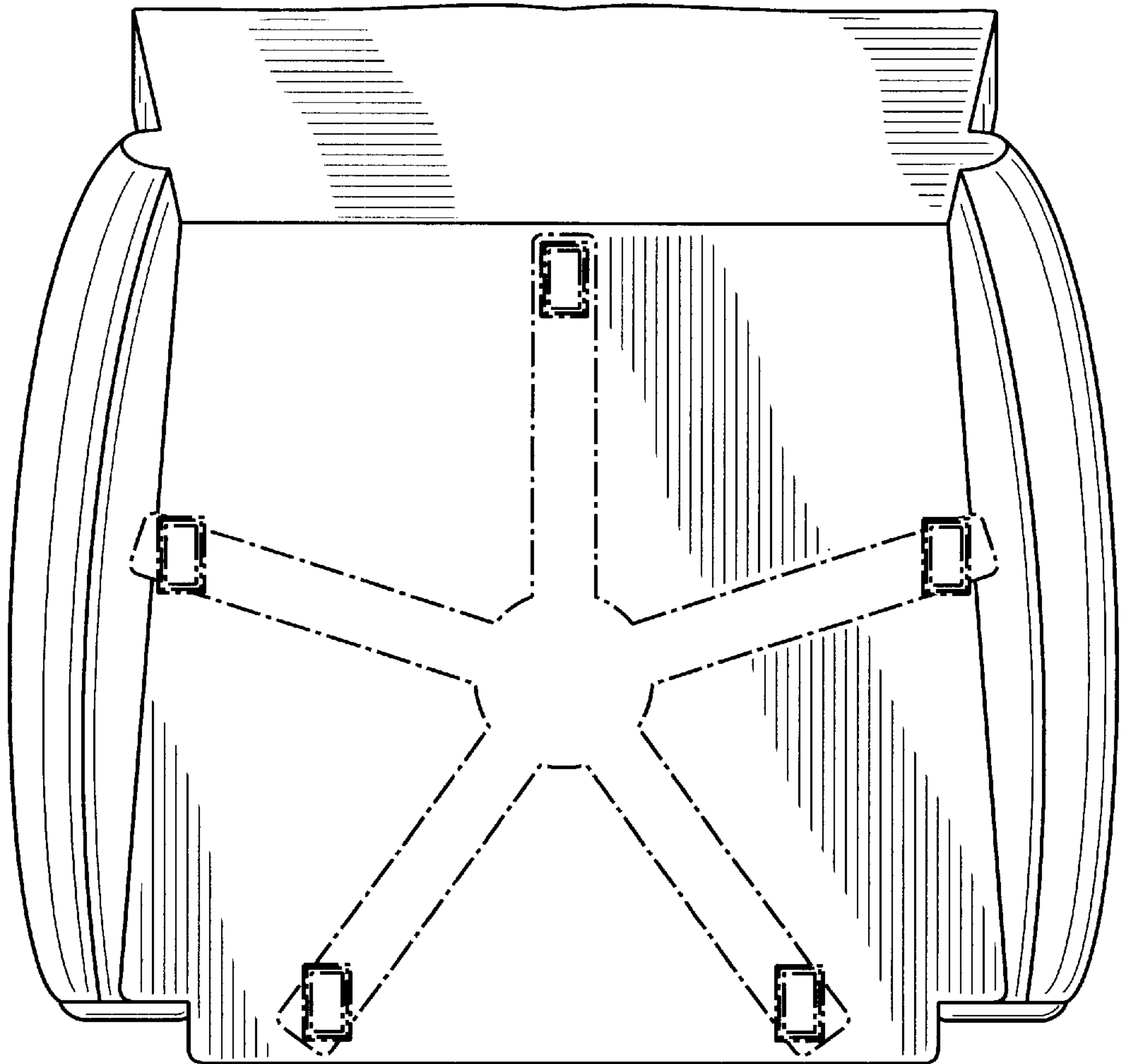


FIG. 6