



US00D461072S

(12) **United States Design Patent**  
**Ko**

(10) **Patent No.:** **US D461,072 S**

(45) **Date of Patent:** **\*\* Aug. 6, 2002**

(54) **DESK LEG**

D424,828 S \* 5/2000 Ko ..... D6/429  
D443,440 S \* 6/2001 Deimen et al. .... D6/480

(76) Inventor: **Wen-Shan Ko**, No. 1, Alley 1, Lane  
150, Sec. 1, Kung Yuan Rd., Changhua  
(TW)

\* cited by examiner

(\*\*) Term: **14 Years**

*Primary Examiner*—Janice E. Seeger  
(74) *Attorney, Agent, or Firm*—Browdy and Neimark,  
P.L.L.C.

(21) Appl. No.: **29/140,979**

(57) **CLAIM**

(22) Filed: **Apr. 30, 2001**

The ornamental design for a “desk leg”, as shown and  
described.

(51) **LOC (7) Cl.** ..... **06-06**

(52) **U.S. Cl.** ..... **D6/495**

(58) **Field of Search** ..... D6/480–489, 495–499,  
D6/422; 108/151, 153.1, 155, 156, 157.1,  
161, 50.01, 50.02; 248/188, 188.1, 188.7,  
188.8, 188.9

**DESCRIPTION**

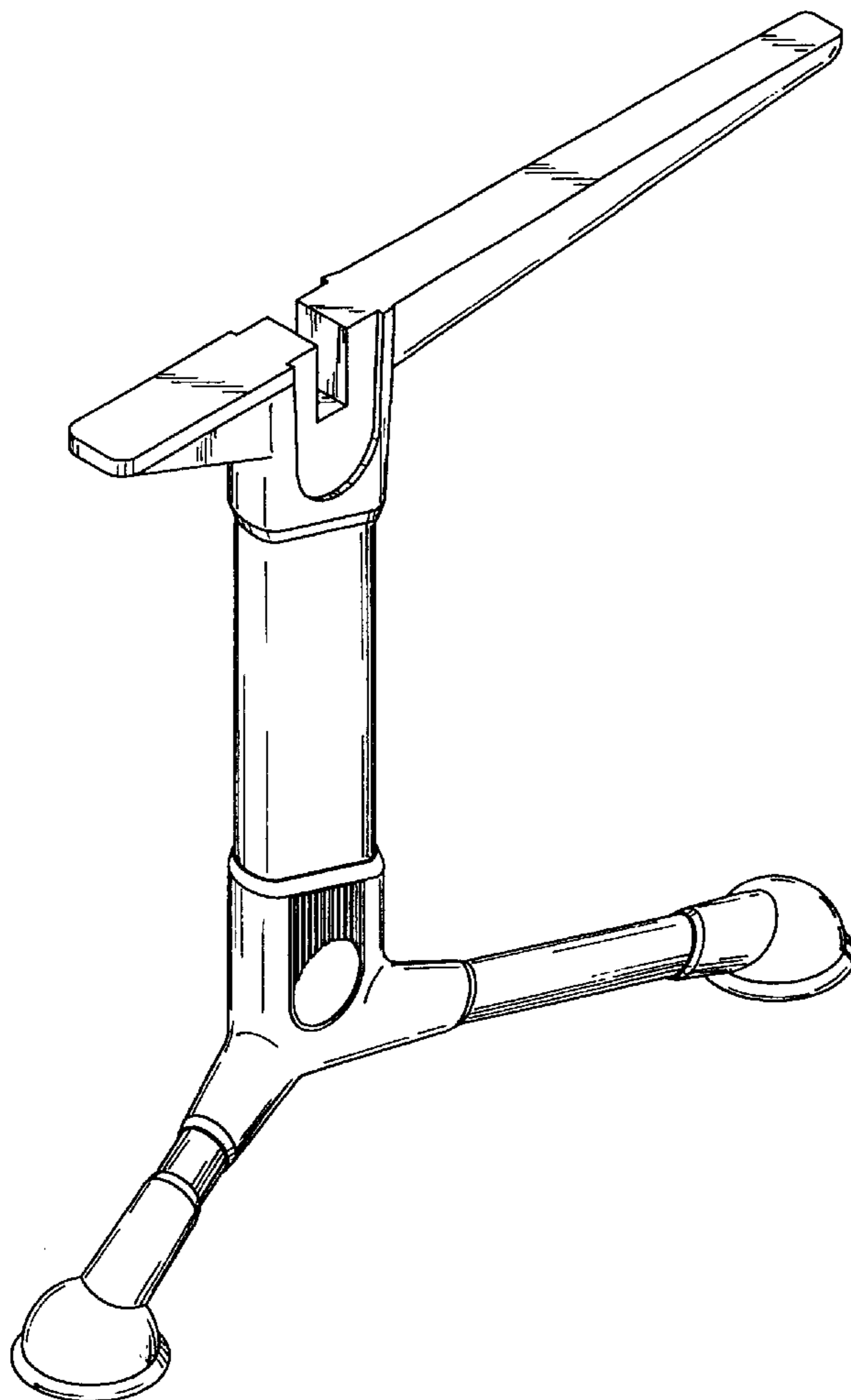
(56) **References Cited**

**U.S. PATENT DOCUMENTS**

D336,393 S \* 6/1993 Saotome ..... D6/484  
D422,812 S \* 4/2000 Thompson et al. .... D6/495

FIG. 1 shows a perspective view of the present design.  
FIG. 2 shows a right elevational view of the present design.  
FIG. 3 shows a top plan view of the present design.  
FIG. 4 shows a front elevational view of the present design.  
FIG. 5 shows a bottom plan view of the present design.  
FIG. 6 shows a left elevational view of the present design;  
and,  
FIG. 7 shows a rear elevational view of the present design.

**1 Claim, 3 Drawing Sheets**



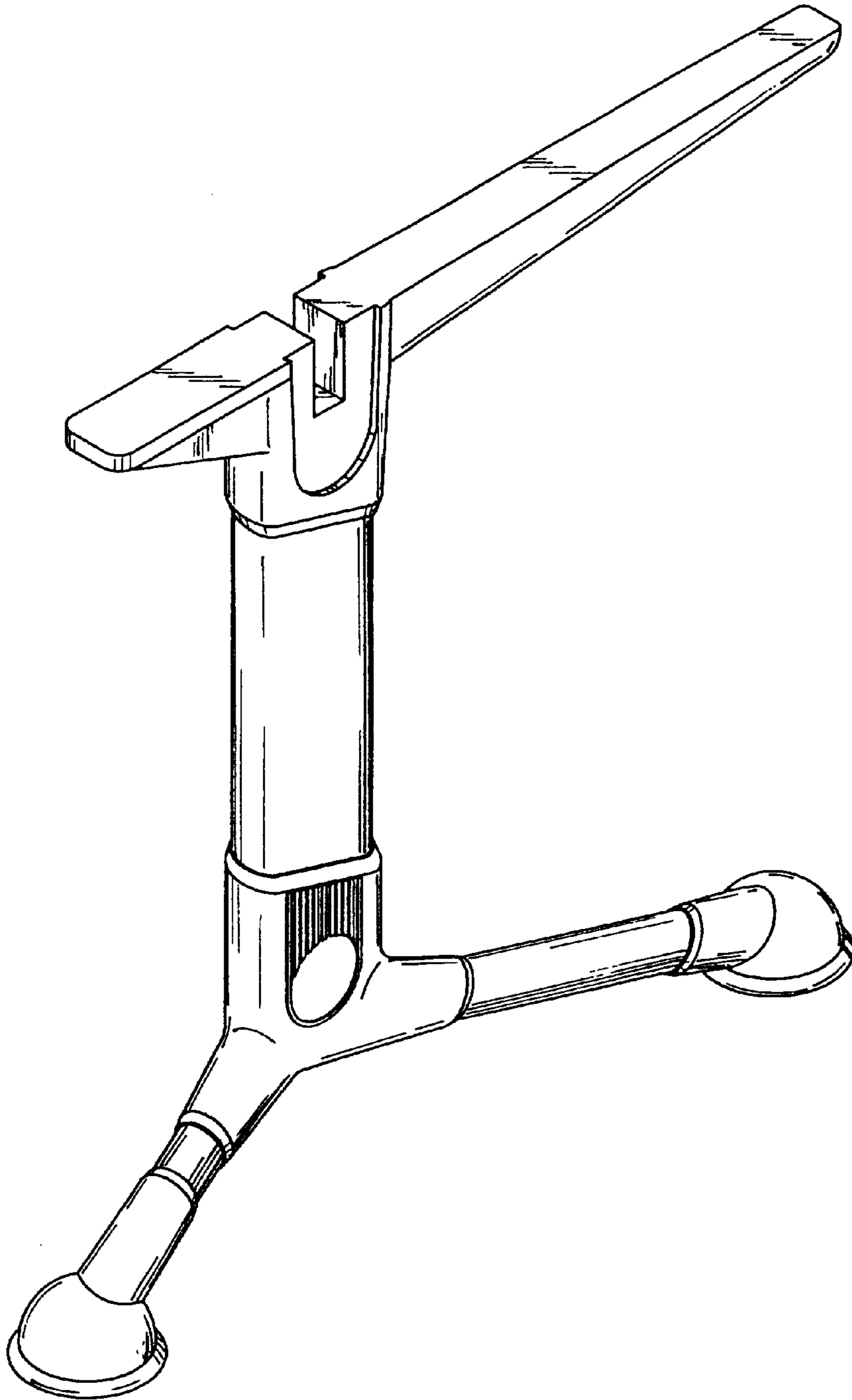


FIG. 1

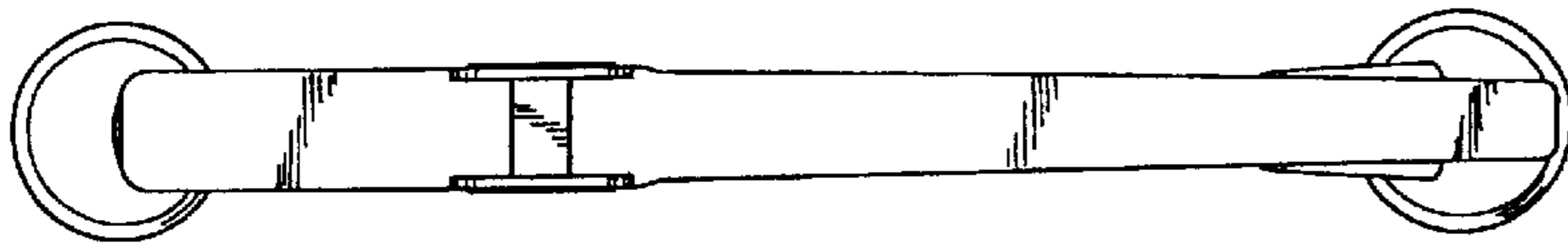


FIG. 3

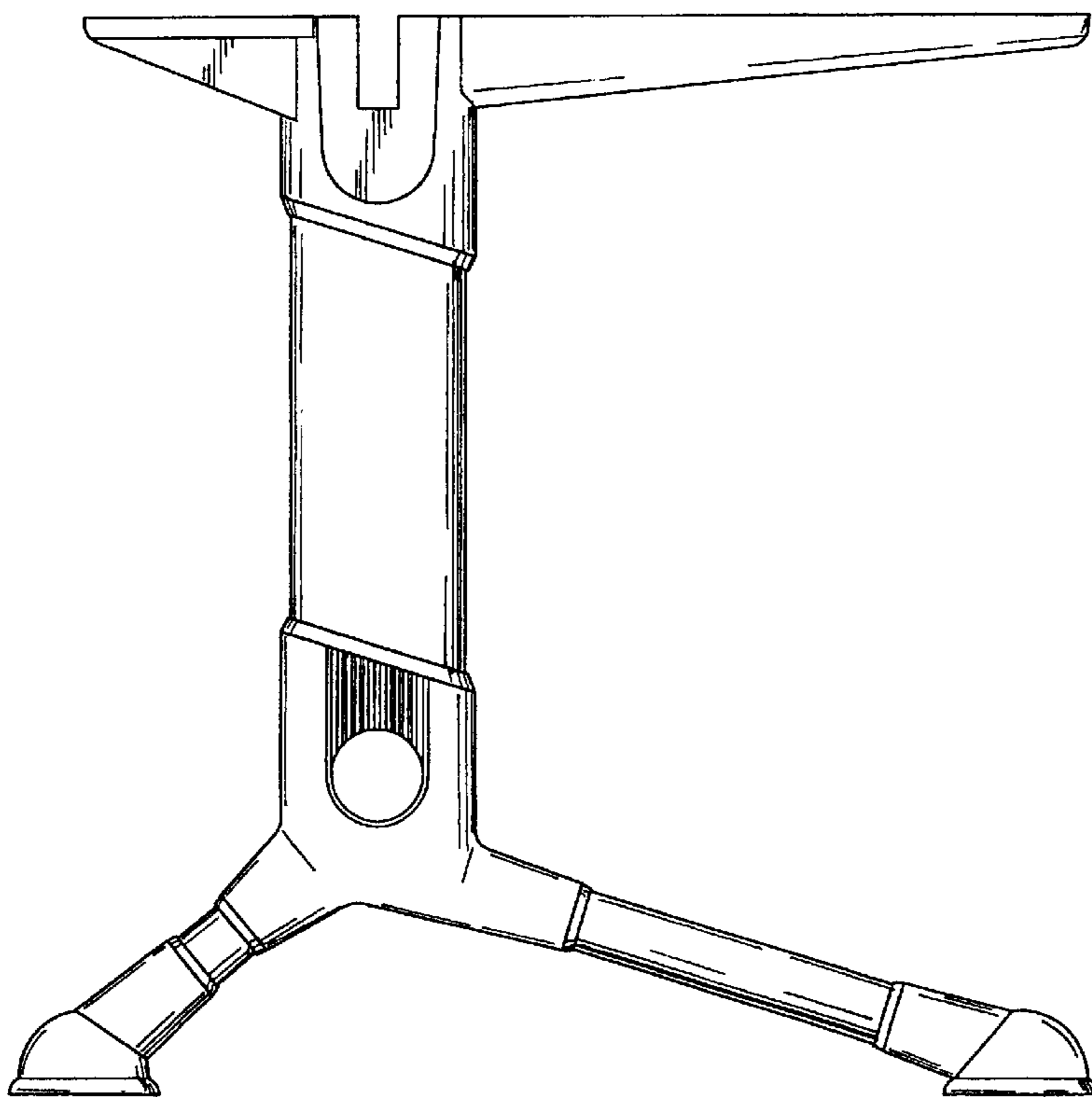


FIG. 4

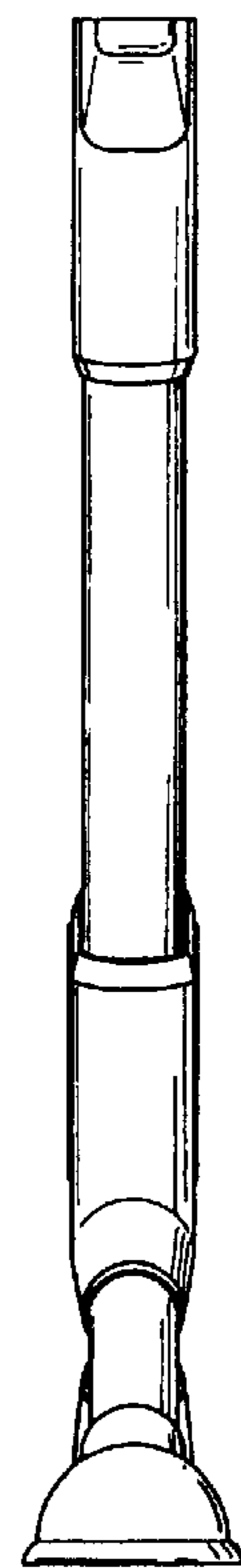


FIG. 2

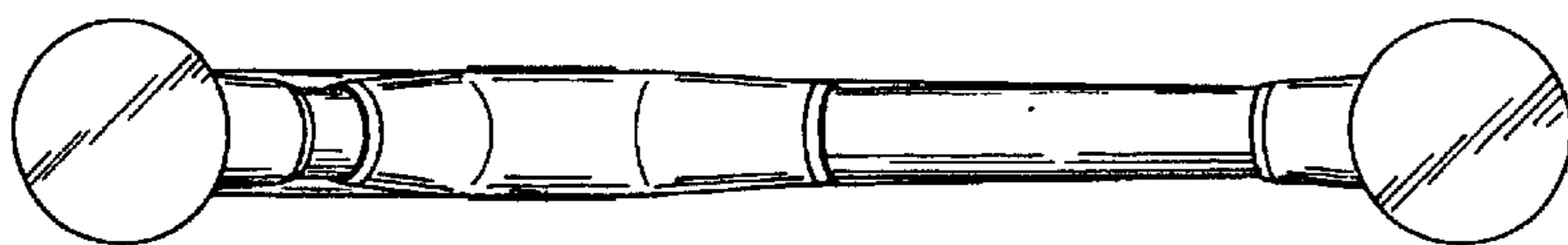


FIG. 5

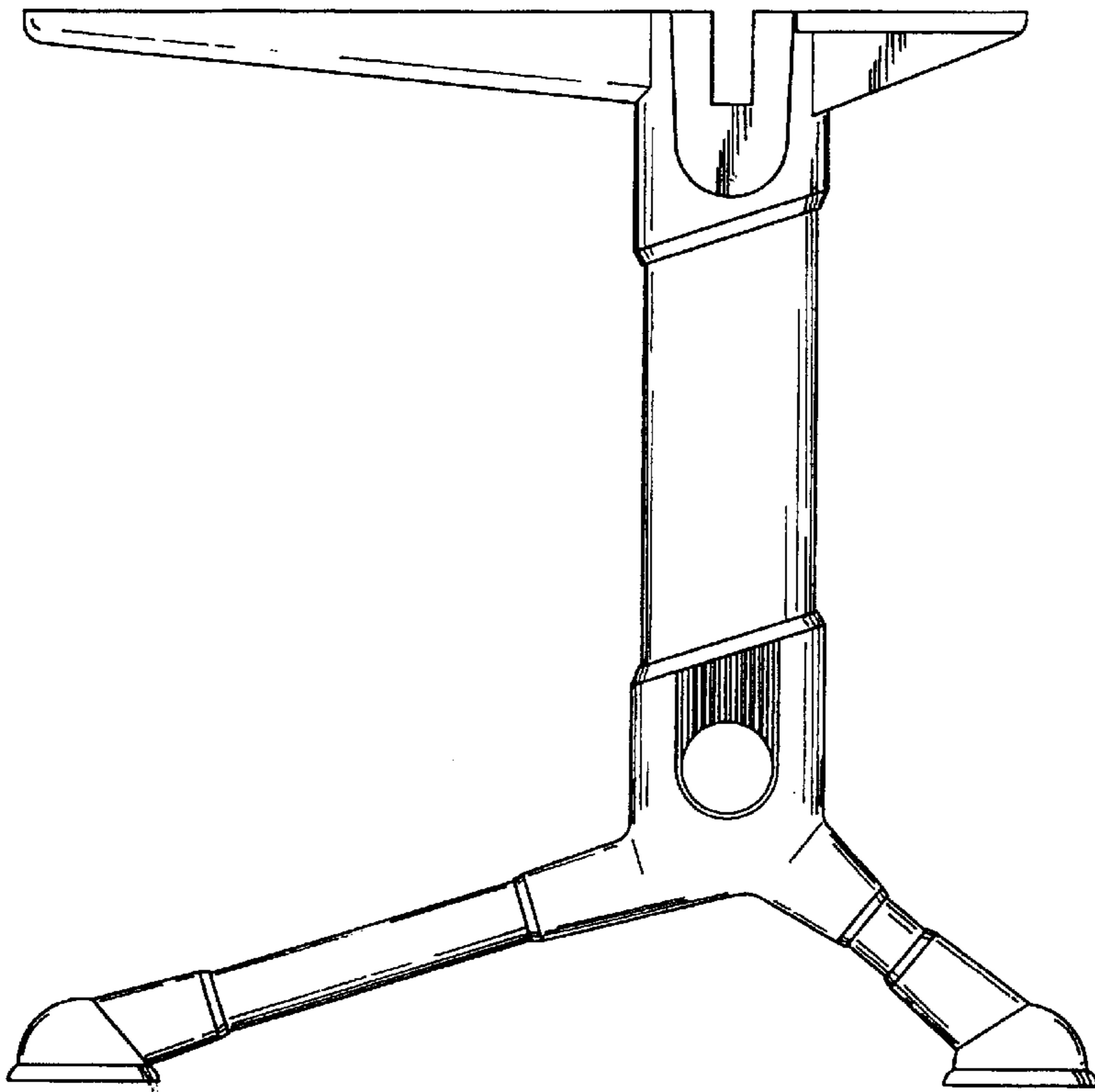


FIG. 7

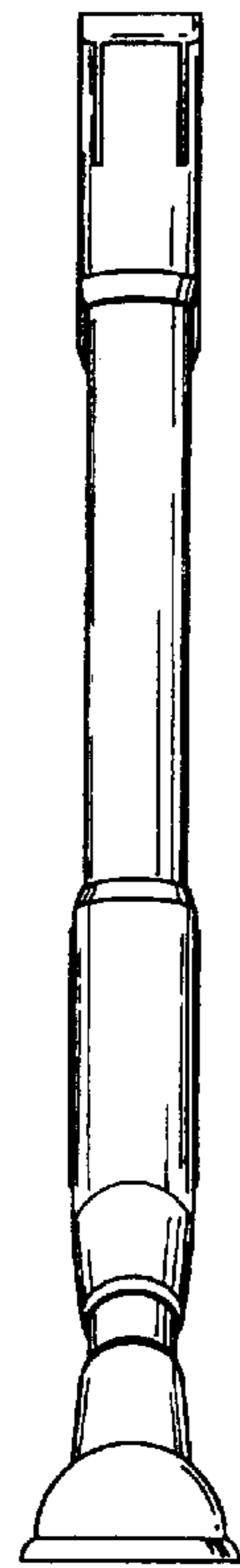


FIG. 6