



US00D461062S

(12) **United States Design Patent**
Wu

(10) **Patent No.:** **US D461,062 S**

(45) **Date of Patent:** **** Aug. 6, 2002**

(54) **BABY SWING CHAIR**

6,027,409 A * 2/2000 Favorito et al. 472/118

(76) Inventor: **Sung-Tsun Wu**, 8F-1, No. 249, Chung Ching Road, Pan Chiao City, Taipei Hsien (TW)

* cited by examiner

Primary Examiner—Doris V. Coles
Assistant Examiner—Mimosa De

(**) Term: **14 Years**

(57) **CLAIM**

(21) Appl. No.: **29/141,420**

The ornamental design for baby swing chair, as shown and described.

(22) Filed: **May 5, 2001**

(51) **LOC (7) Cl.** **06-01**

(52) **U.S. Cl.** **D6/344; D6/333**

(58) **Field of Search** D6/333, 334, 335, D6/344, 347, 500; D21/823, 825; 297/273, 281; 472/118, 119

DESCRIPTION

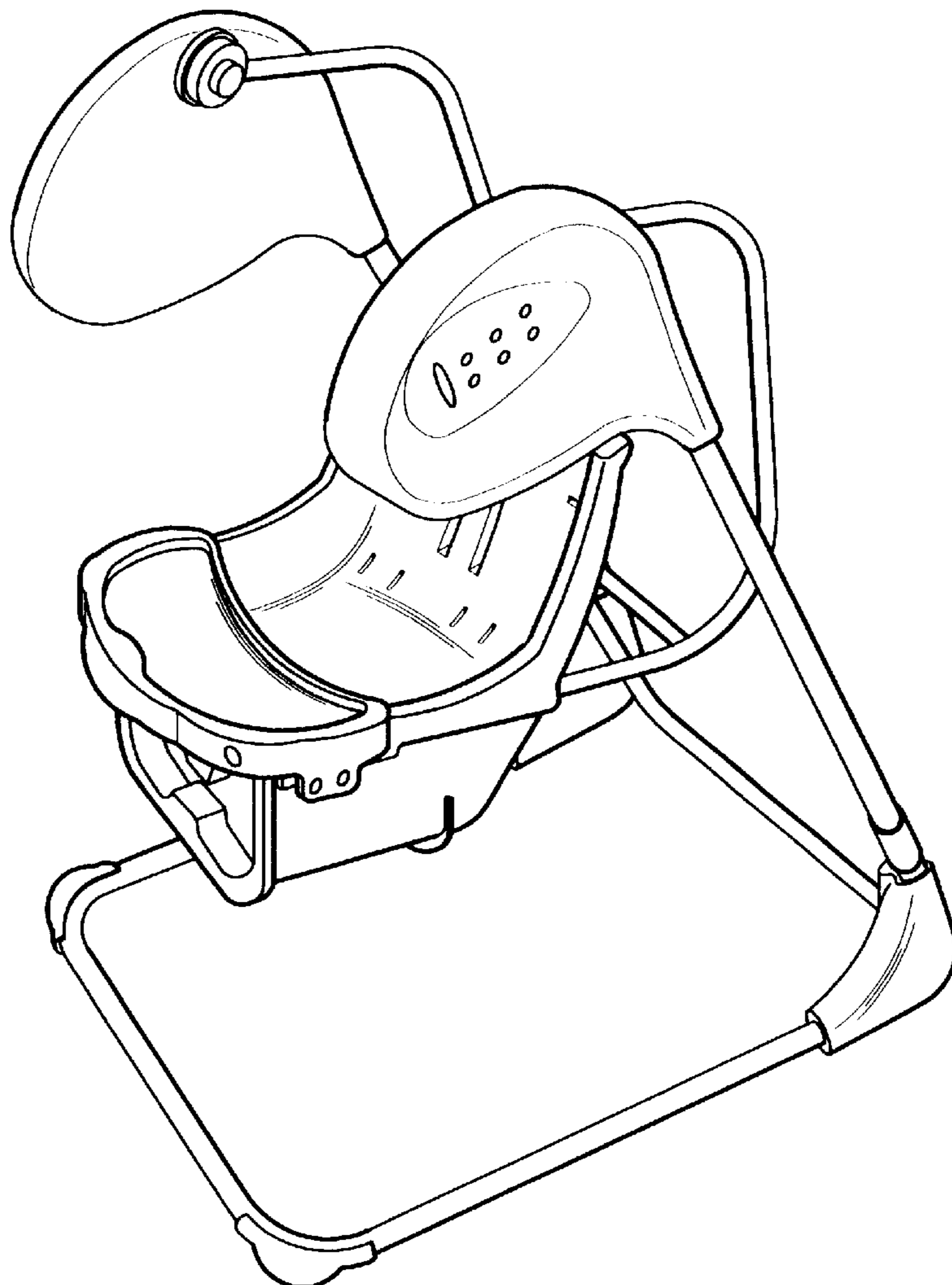
FIG. 1 is a perspective view of baby swing chair showing my new design;
FIG. 2 is a front elevational view thereof;
FIG. 3 is a rear elevational view thereof;
FIG. 4 is a left side elevational view thereof;
FIG. 5 is a right side elevational view thereof;
FIG. 6 is a top view thereof; and,
FIG. 7 is a bottom view thereof.

(56) **References Cited**

U.S. PATENT DOCUMENTS

4,822,033 A * 4/1989 Kohus et al. 297/273
D412,067 S * 7/1999 Wu D6/344

1 Claim, 7 Drawing Sheets



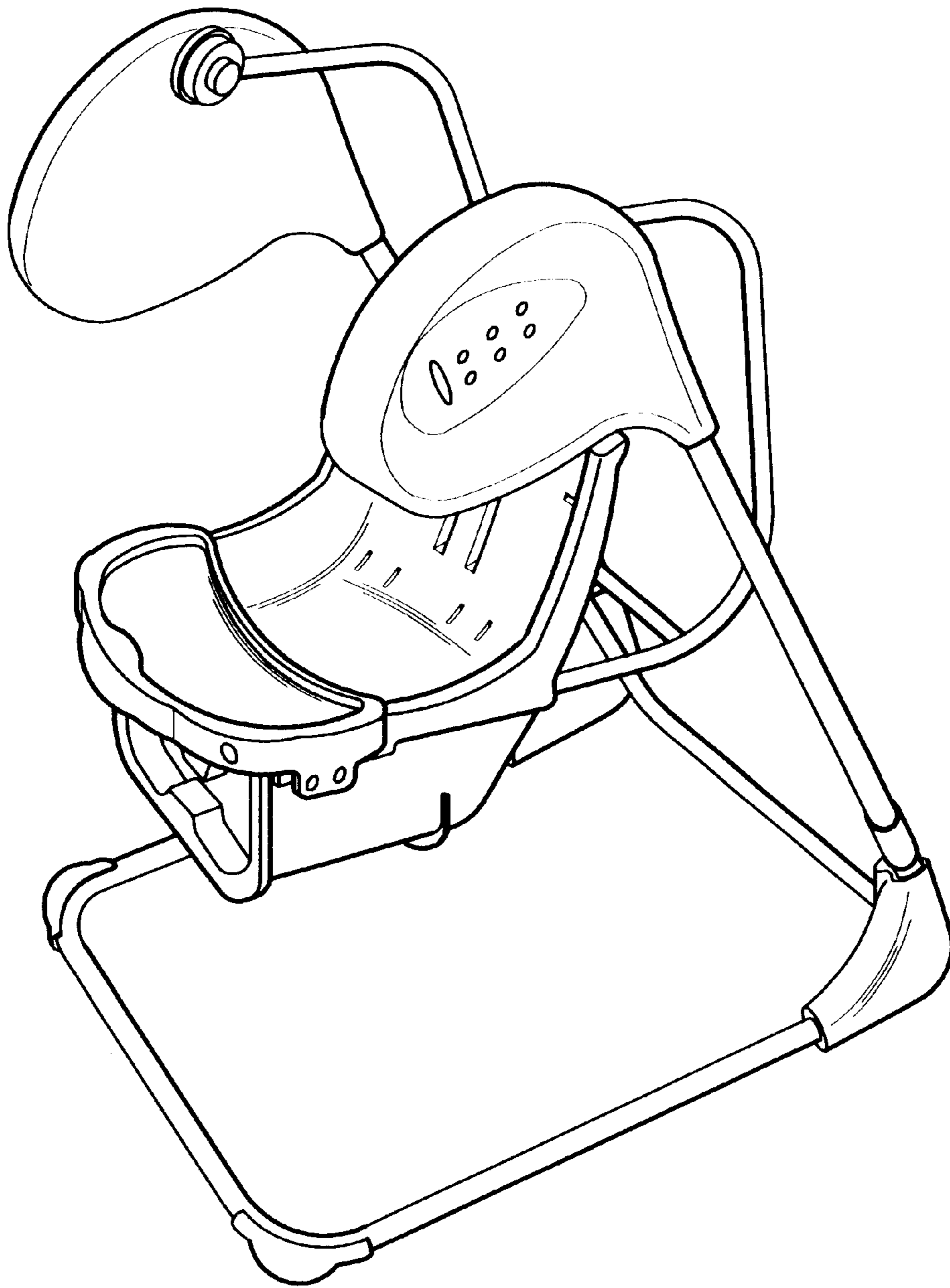


FIG. 1

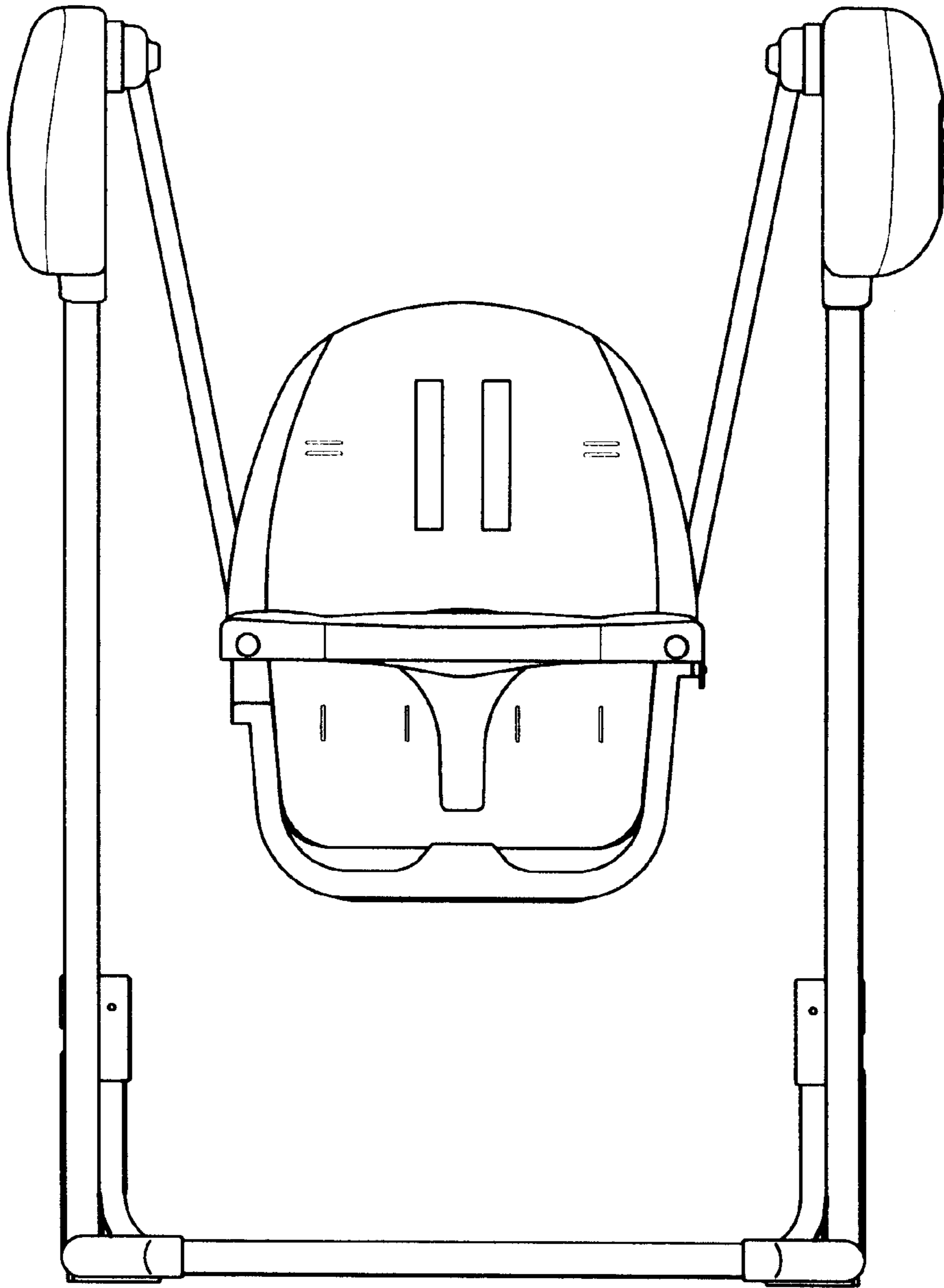


FIG. 2

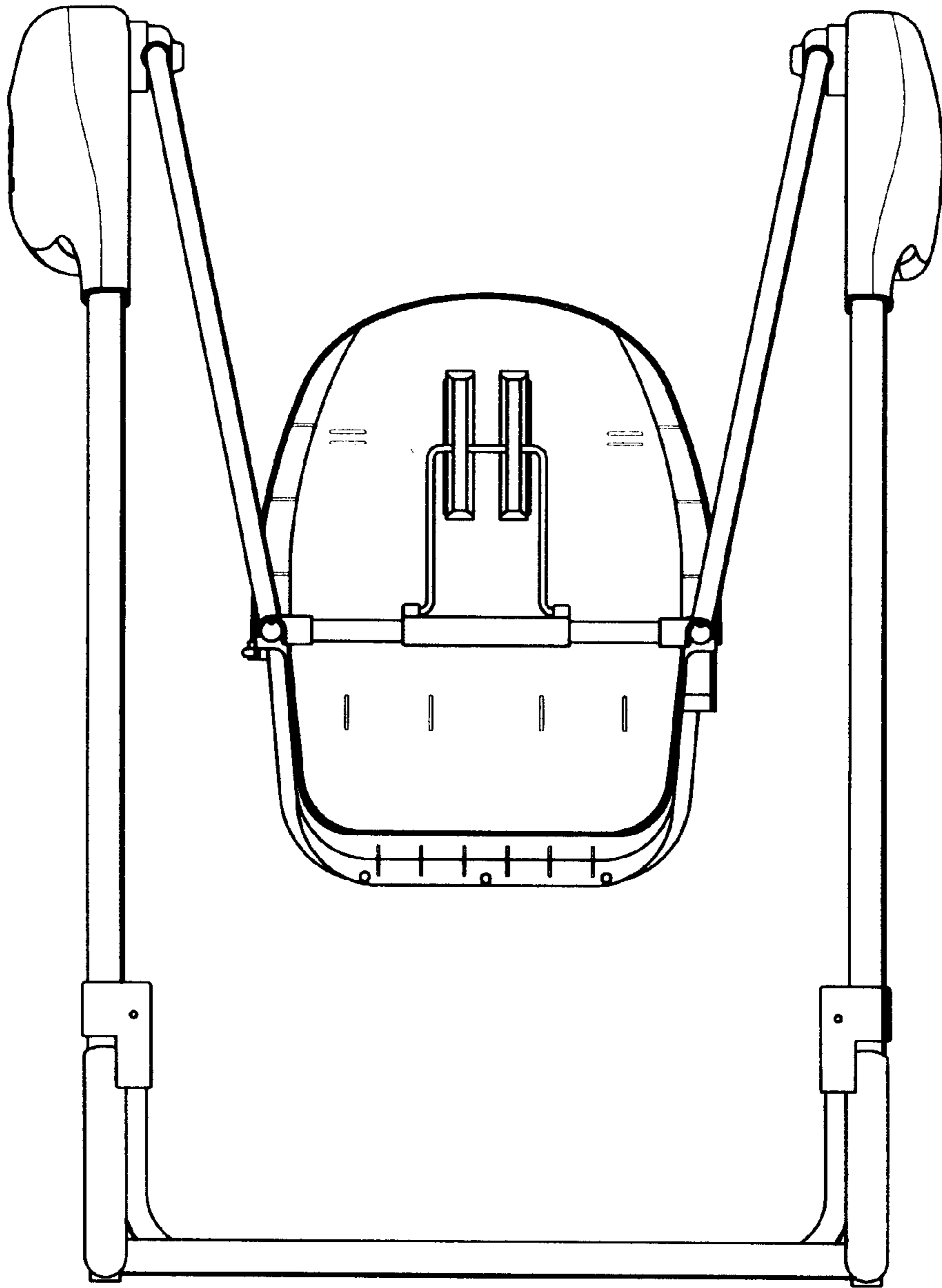


FIG. 3

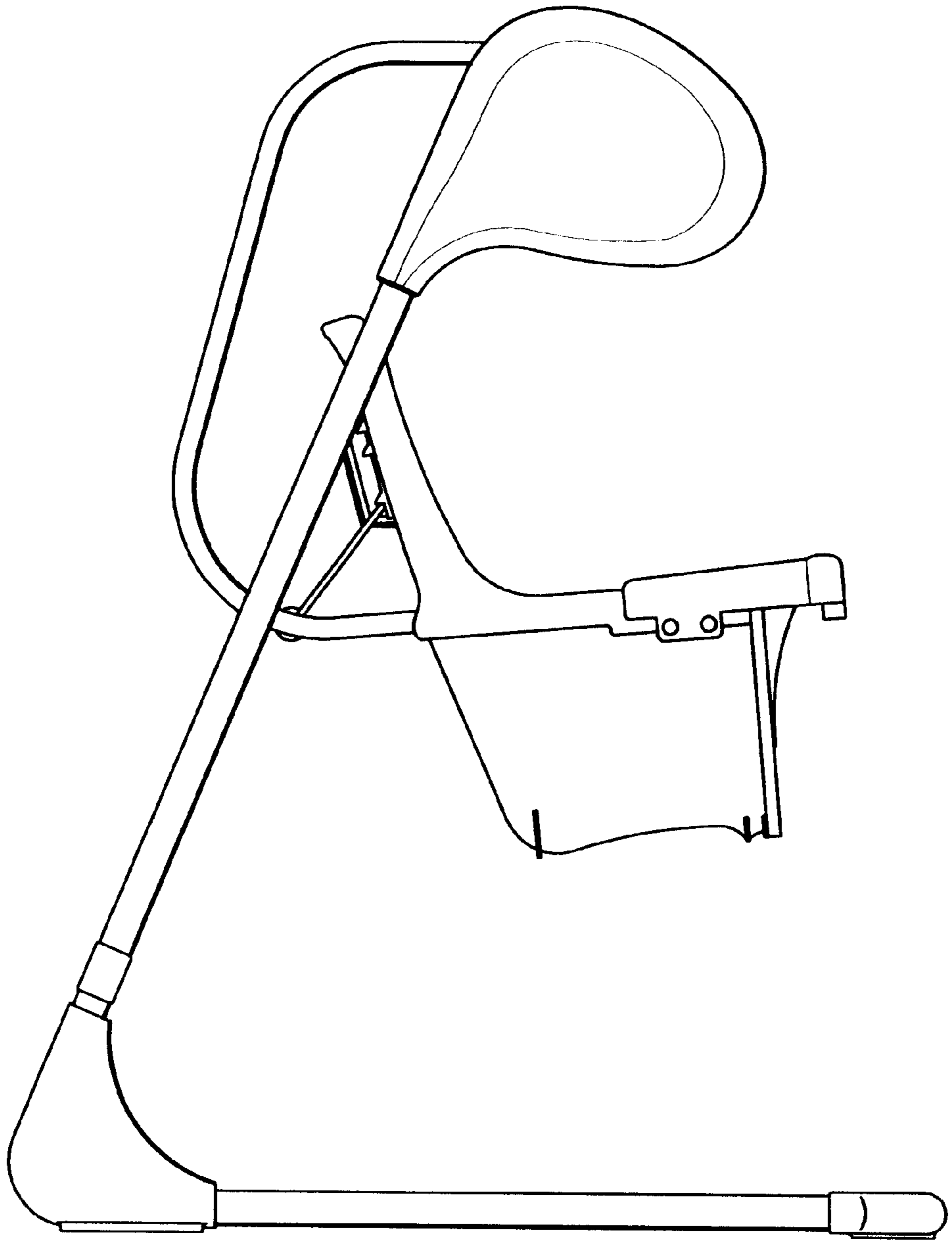


FIG. 4

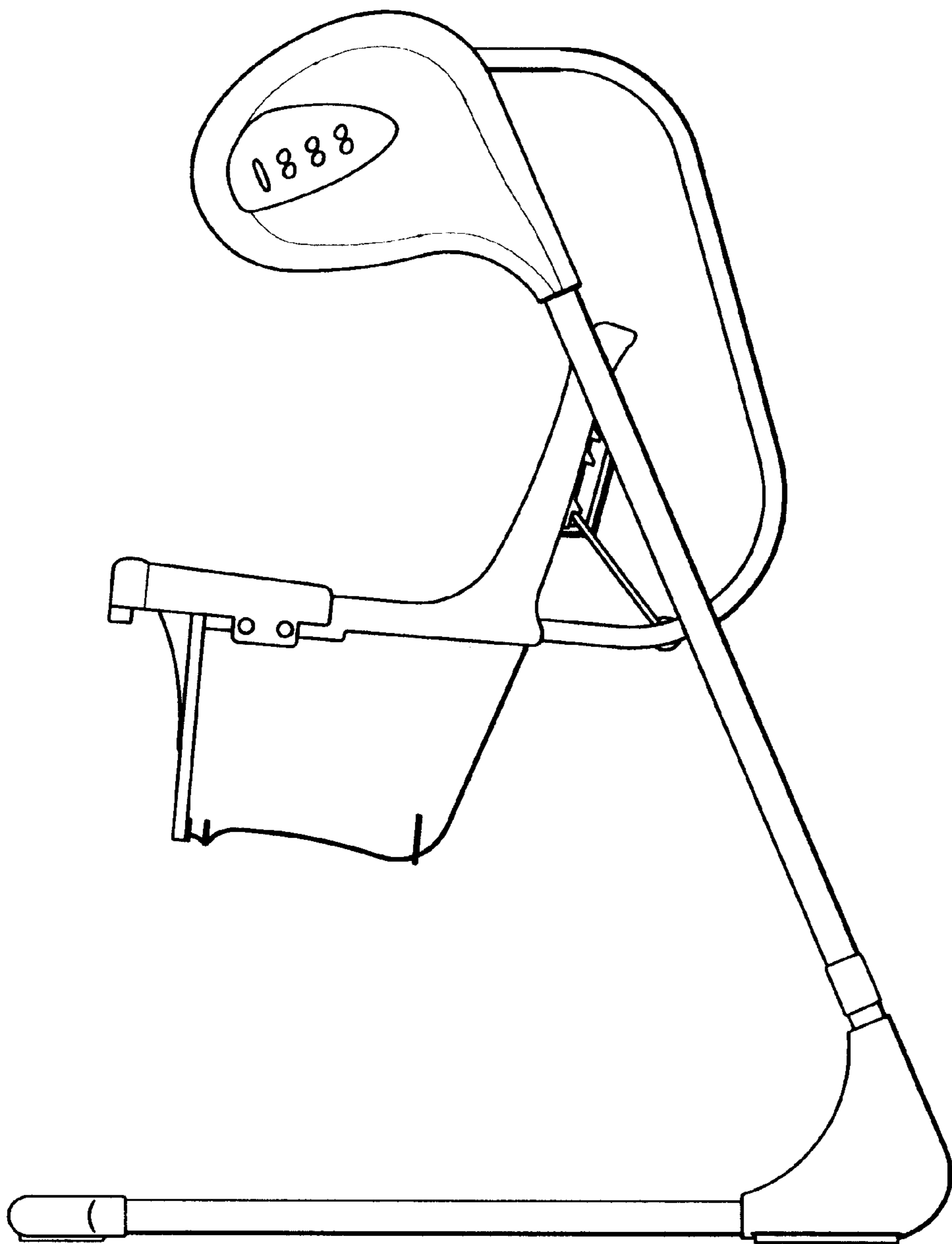


FIG. 5

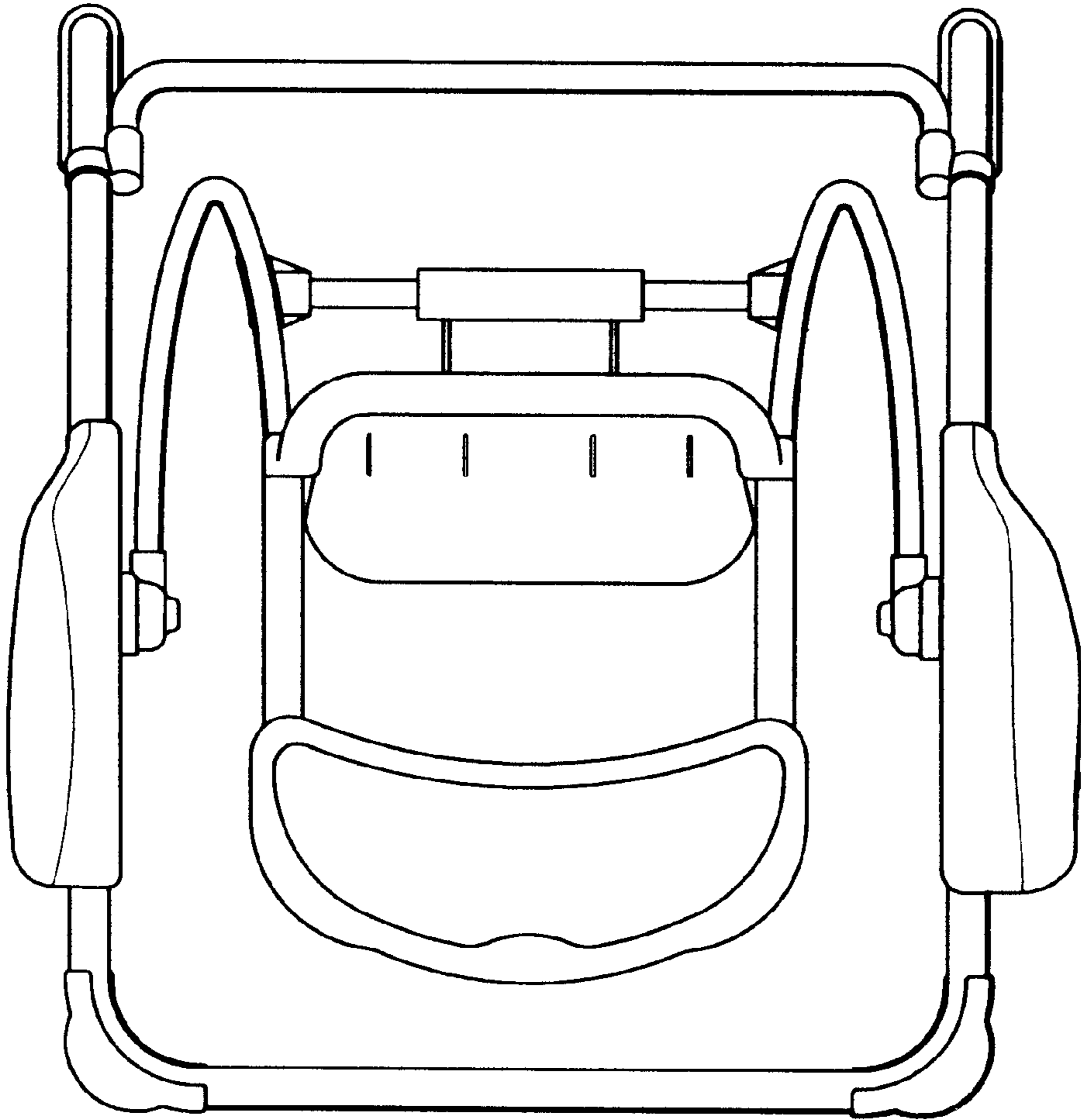


FIG. 6

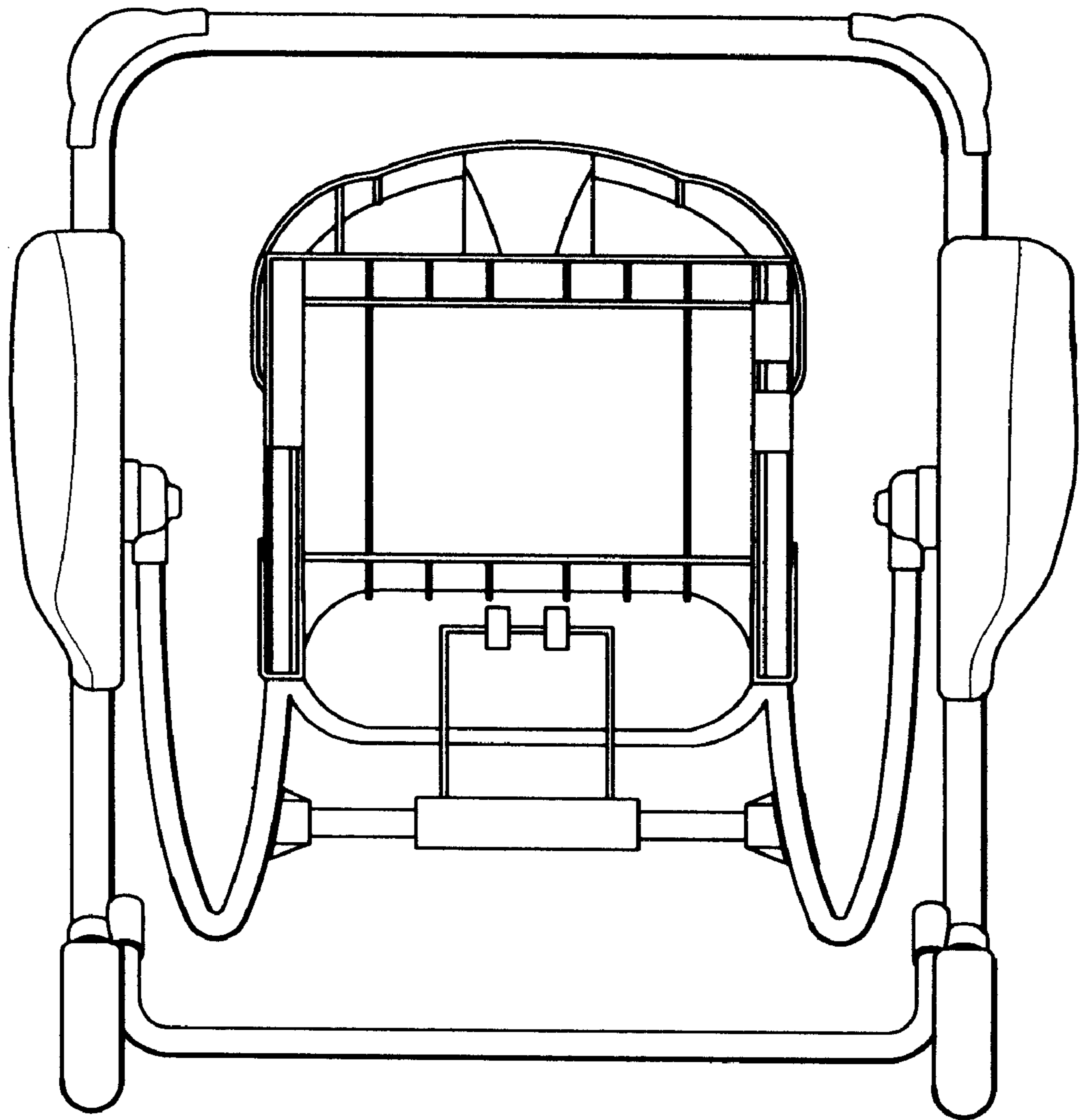


FIG. 7