



US00D461061S

(12) **United States Design Patent**
Kent

(10) **Patent No.:** **US D461,061 S**

(45) **Date of Patent:** **** Aug. 6, 2002**

(54) **COMBINED OTTOMAN, TABLE AND STORAGE CHEST**

(76) **Inventor:** **Elizabeth Berryman Kent**, 1518
Jacquelin St., Richmond, VA (US)
23220

(**) **Term:** **14 Years**

(21) **Appl. No.:** **29/146,068**

(22) **Filed:** **Aug. 3, 2001**

(51) **LOC (7) Cl.** **06-04**

(52) **U.S. Cl.** **D6/336; D6/352; D6/397;**
D6/488

(58) **Field of Search** D6/397, 432, 433,
D6/436, 437, 438, 440, 441, 445, 446,
448, 491, 349, 352, 336; 312/107, 204,
213, 284; 297/461, 462

(56) **References Cited**

U.S. PATENT DOCUMENTS

D151,983 S	12/1948	Guertin	D6/349
D180,163 S	4/1957	Schild	D6/349
D184,081 S	12/1958	Belz	D6/349
D250,860 S	1/1979	Castro	D6/336
D257,995 S	1/1981	Mikkelsen et al.	D3/302
D299,391 S	1/1989	Meehan	D6/440
D311,648 S	10/1990	Pevsner		

5,538,320 A	7/1996	Hoffman et al.	
5,727,476 A	3/1998	Priore, Sr.	
5,893,182 A	4/1999	Sutherland et al.	
D422,810 S	4/2000	Rasp D6/480
D423,249 S	4/2000	Hawang D6/440
D433,840 S	11/2000	Hawang D6/432

Primary Examiner—Cathron C. Brooks
(74) *Attorney, Agent, or Firm*—Norman Rainer

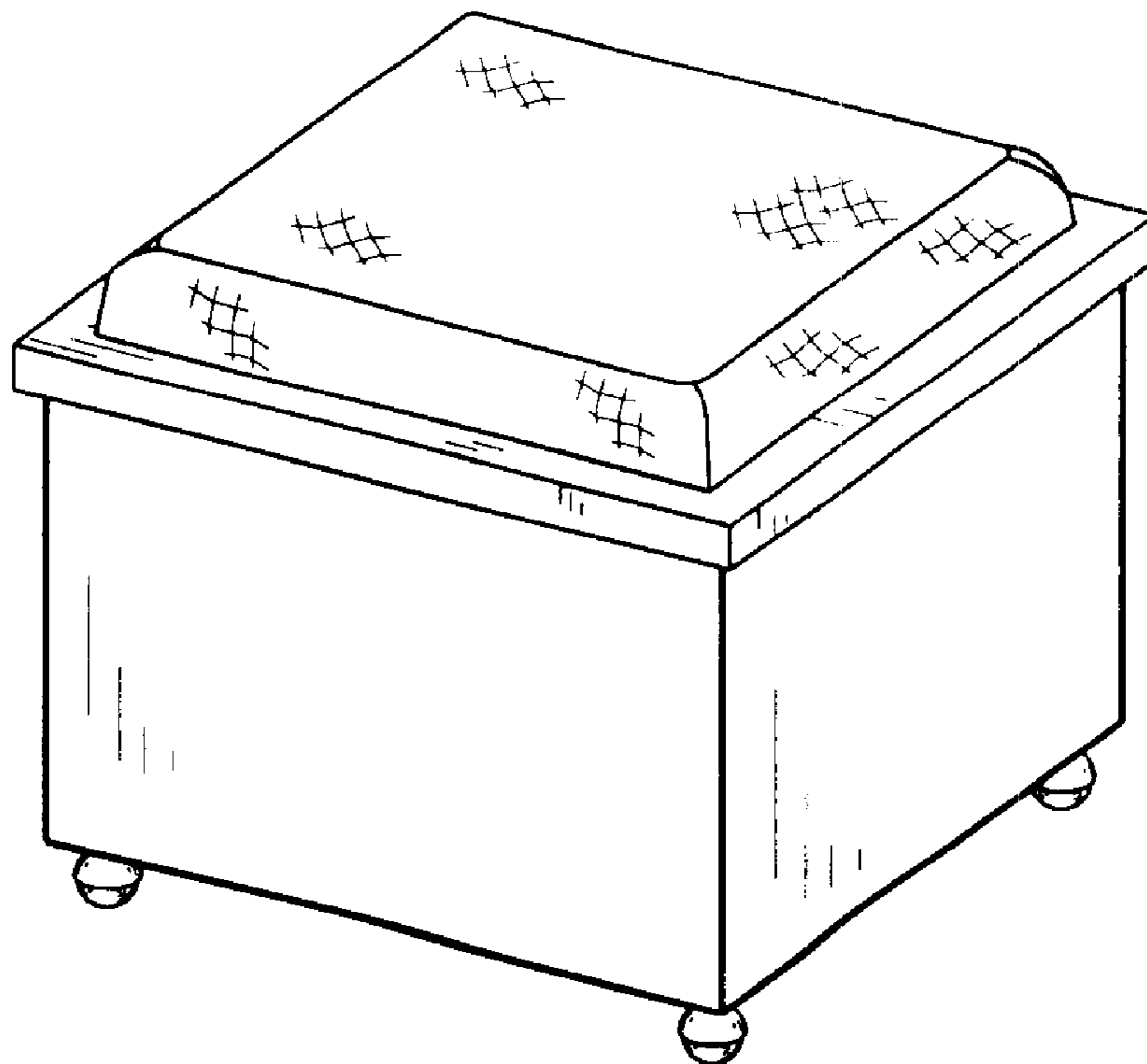
(57) **CLAIM**

The ornamental design for a combined ottoman, table and storage chest, as shown and described.

DESCRIPTION

FIG. 1 is a top and side perspective view of a combined ottoman, table and storage chest showing my new design, and shown in a first mode of use;
FIG. 2 is a side view thereof; the unshown other three sides being of identical appearance;
FIG. 3 is a top view thereof;
FIG. 4 is a top and side perspective view thereof shown in a second mode of use;
FIG. 5 is an exploded perspective view of the embodiment of FIG. 1; and,
FIG. 6 is a sectional view taken in the direction of the arrows upon the line 6—6 of FIG. 4.

1 Claim, 1 Drawing Sheet



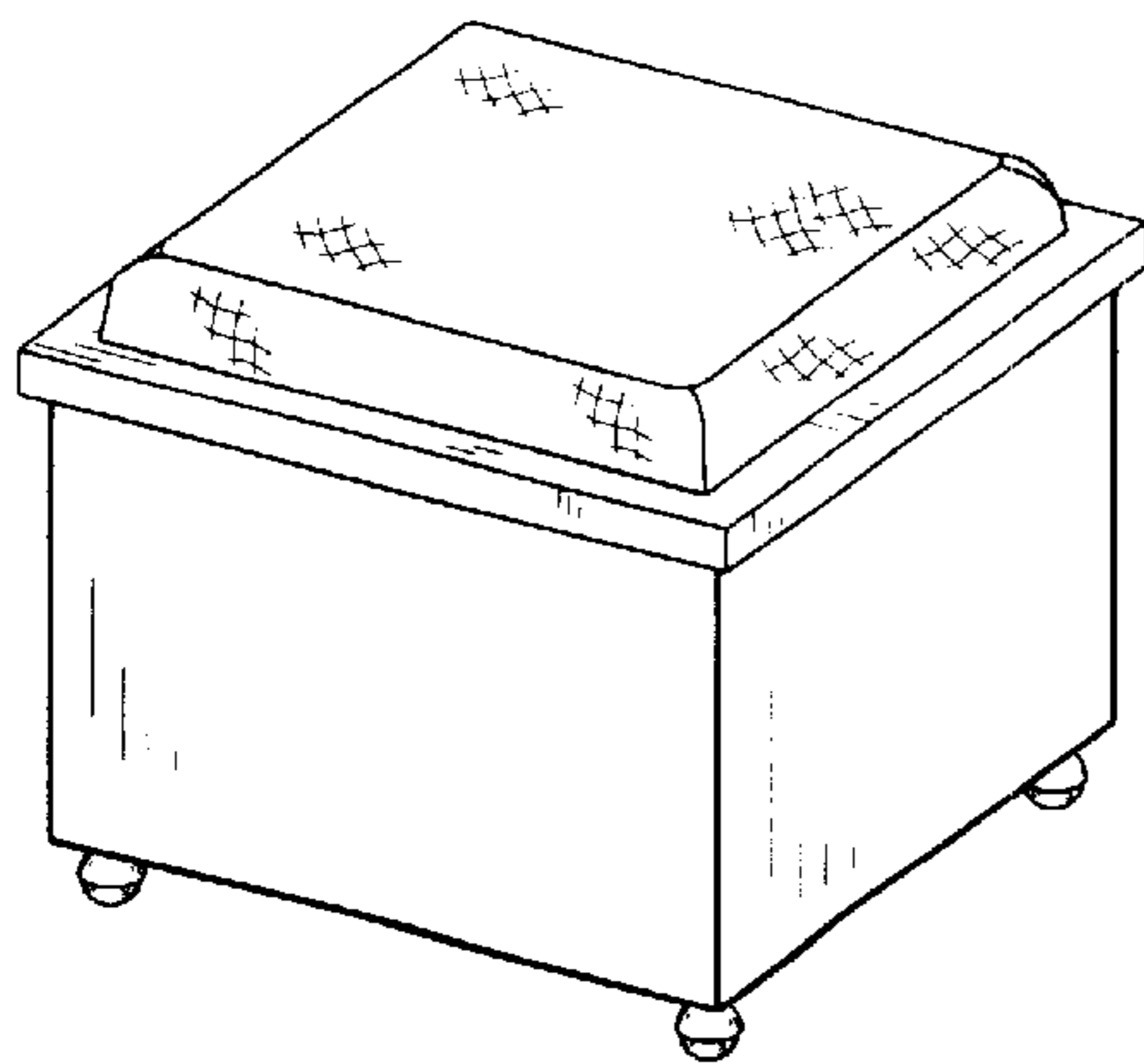


FIG. 1

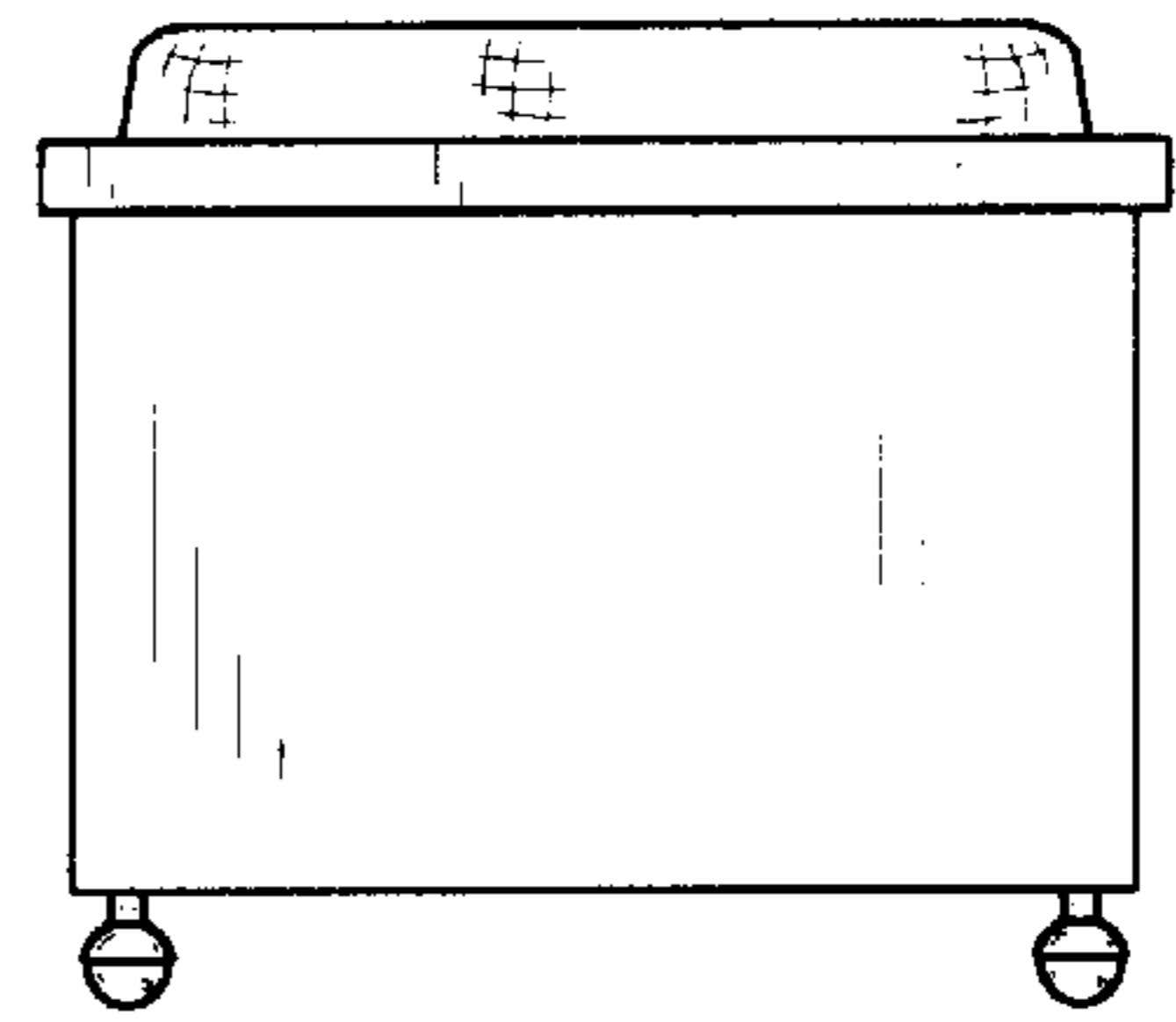


FIG. 2

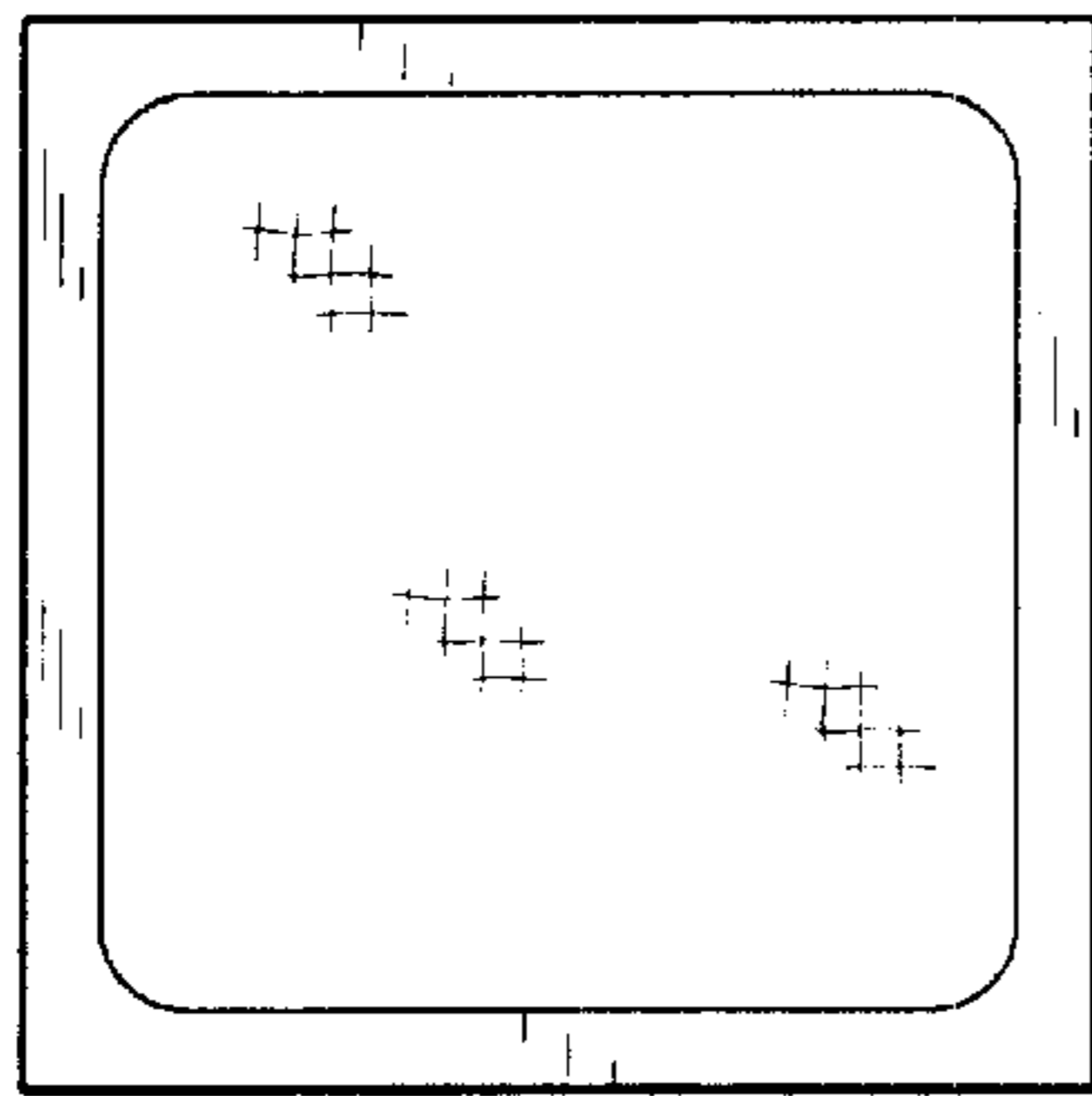


FIG. 3

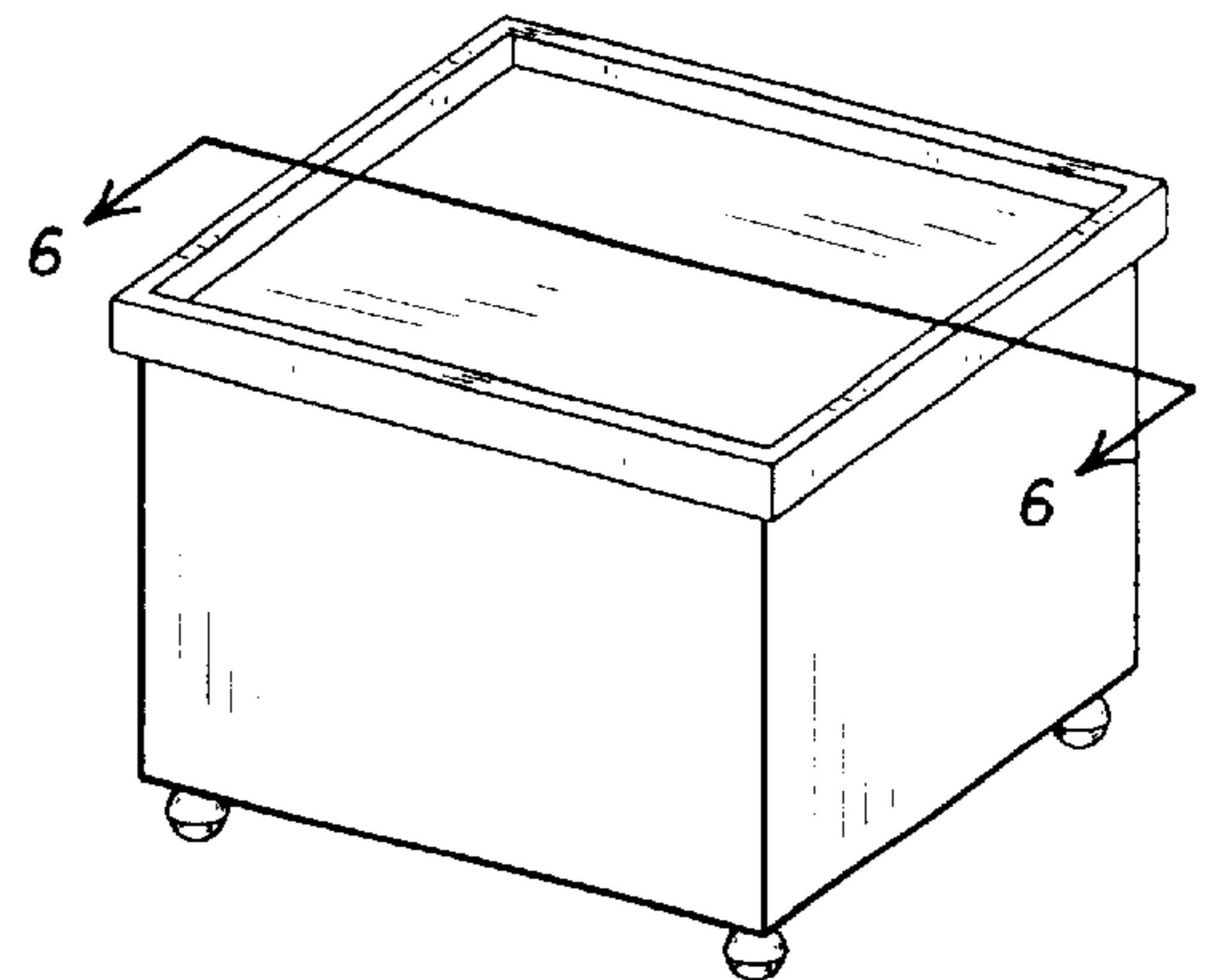


FIG. 4

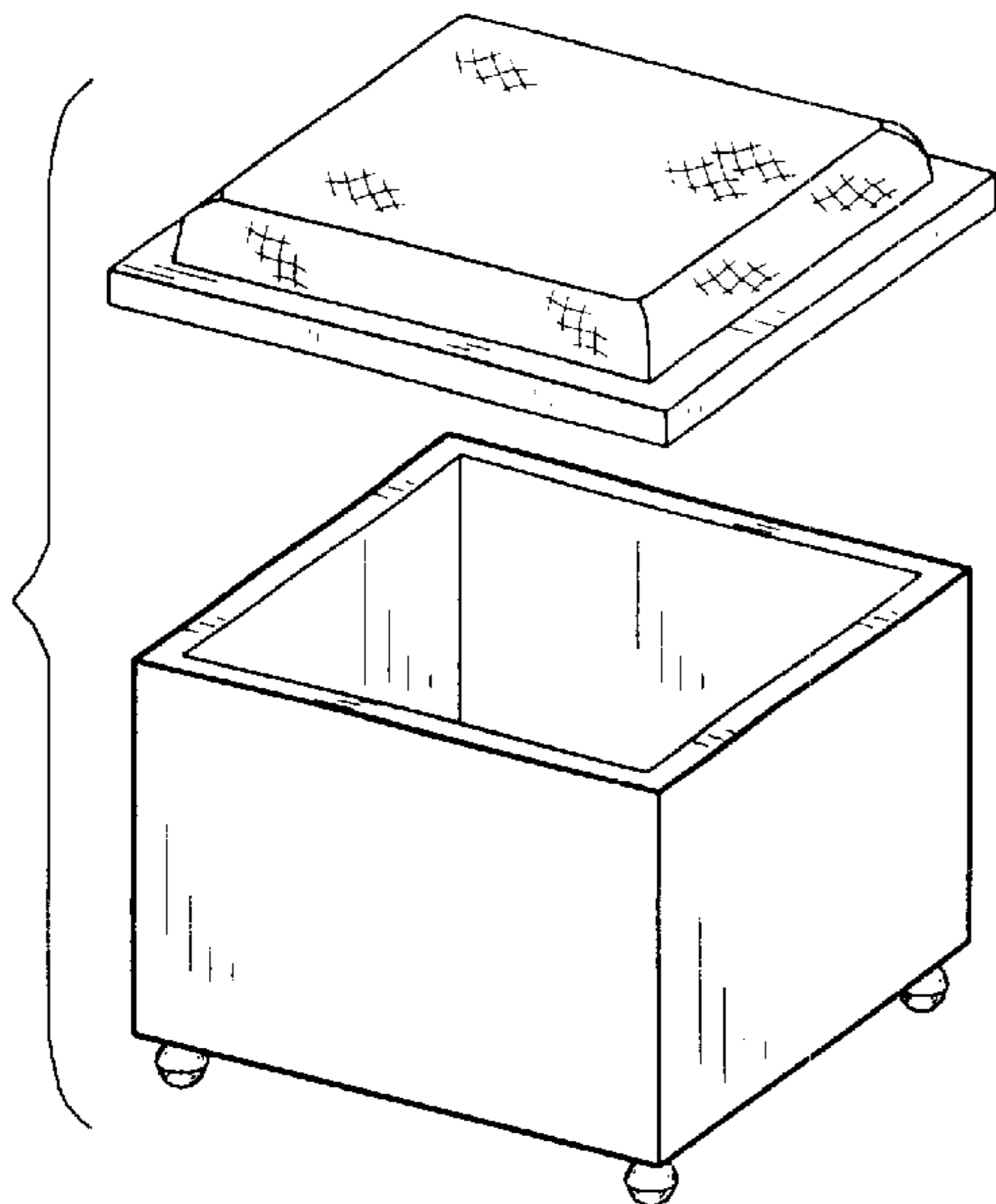


FIG. 5

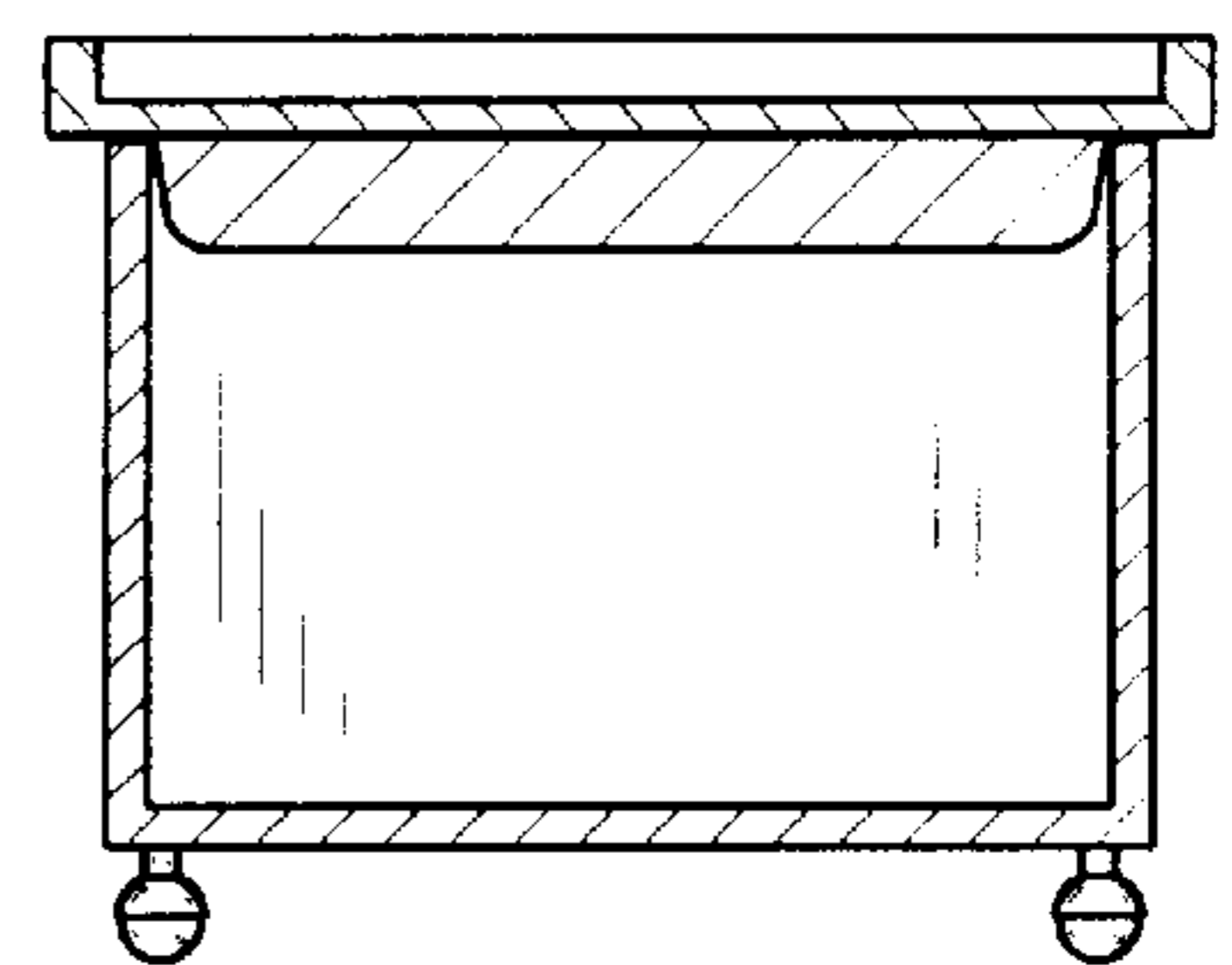


FIG. 6