



US00D461052S

(12) **United States Design Patent** (10) **Patent No.:** **US D461,052 S**  
**Vazquez** (45) **Date of Patent:** **\*\* Aug. 6, 2002**

- (54) **WINGED PDA CASE**
- (75) Inventor: **Maximino Vazquez**, New York, NY (US)
- (73) Assignee: **Maxworld Inc.**, New York, NY (US)
- (\*\*) Term: **14 Years**
- (21) Appl. No.: **29/139,601**
- (22) Filed: **Apr. 3, 2001**

D391,076 S	2/1998	Test	.....	D3/287
5,826,770 A	10/1998	Chuang	.....	224/607
D408,628 S	* 4/1999	Fusco	.....	D3/226
D417,782 S	12/1999	Tawil	.....	D3/289
D448,925 S	* 10/2001	Willows et al.	.....	D3/226

\* cited by examiner

*Primary Examiner*—Philip S. Hyder

(57) **CLAIM**

The ornamental design on a winged PDA case, as shown and described.

**Related U.S. Application Data**

- (63) Continuation-in-part of application No. 29/115,685, filed on Dec. 17, 1999, now Pat. No. Des. 440,045.
- (51) **LOC (7) Cl.** ..... **03-01**
- (52) **U.S. Cl.** ..... **D3/290; D3/289; D3/301**
- (58) **Field of Search** ..... D3/273, 276, 283, D3/285, 287, 289, 290, 301; 190/100, 108, 109, 110

**DESCRIPTION**

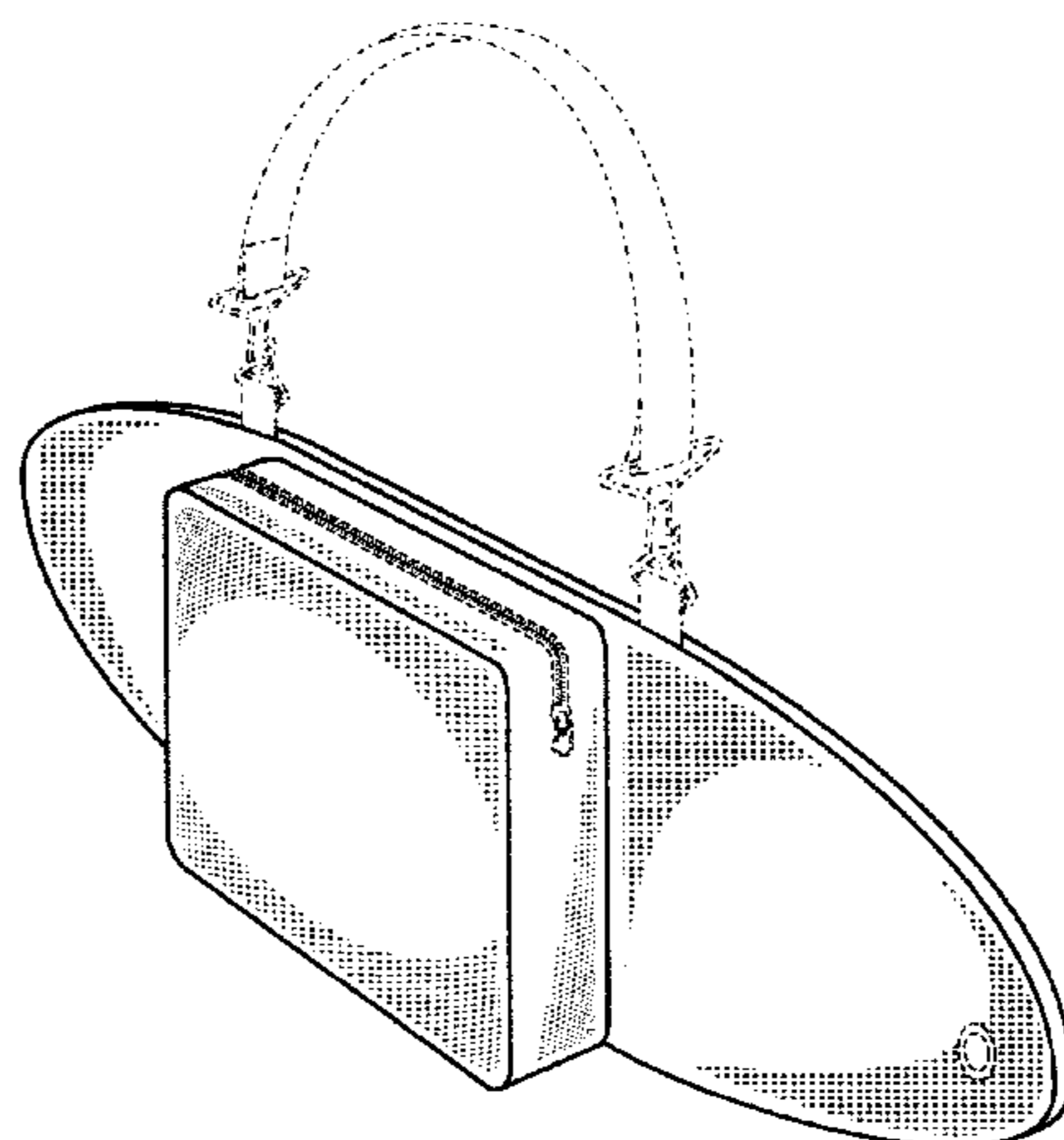
FIG. 1 is a front plan view of the winged PDA case shown in an unfolded state with the wings in an open condition having shading indicating a first preselected fabric; FIG. 2 is a front plan view of FIG. 1; the wings in a closed condition; FIG. 3 is a side perspective view of FIG. 1; FIG. 4 is a side perspective view of FIG. 2; FIG. 5 is a top perspective view of FIG. 1; FIG. 6 is a top perspective view of FIG. 2; FIG. 7 is a bottom perspective view of FIG. 1; FIG. 8 is a bottom perspective view of FIG. 2; FIG. 9 is a rear plan view of FIG. 1; FIG. 10 is a rear plan view of FIG. 2; FIG. 11 is a side perspective view of a winged PDA case as in FIG. 1, showing an alternative embodiment in which the case has shading indicating a first preselected fabric, and the wings with shading indicating a second preselected fabric; and, FIG. 12 is a side perspective view of a winged PDA case as in FIG. 2, showing an alternative embodiment in which the case has shading indicating a first preselected fabric, and the wings with shading indicating a second preselected fabric. The broken lines showing of hardware (e.g. zipper, d-rings, hooks and snaps) as well as the position of the hardware relative to the claimed design, the winged PDA case, and any other broken lines including the carry strap are to show environment only and are not part of the claimed design.

(56) **References Cited**

**U.S. PATENT DOCUMENTS**

D276,953 S	1/1985	Weinreb	.....	D3/289
4,796,735 A	1/1989	Horiuchi	.....	190/109
D302,211 S	7/1989	Sears	.....	D3/283
D333,913 S	* 3/1993	Tuman	.....	D3/278
D340,356 S	10/1993	Hughes	.....	D3/283
D346,694 S	5/1994	Cyr et al.	.....	D3/287
D356,678 S	3/1995	Tawil	.....	D3/276
D358,483 S	5/1995	Cross et al.	.....	D3/276
D358,935 S	6/1995	Chang et al.	.....	D3/276
D360,075 S	7/1995	Cross et al.	.....	D3/276
D360,977 S	8/1995	Katz	.....	D3/276
D360,978 S	8/1995	Willard et al.	.....	D3/301
D368,370 S	4/1996	Tawil	.....	D3/276
D371,905 S	* 7/1996	Kopel	.....	D3/226
D381,199 S	* 7/1997	Glasser	.....	D3/274
D381,807 S	* 8/1997	Pickle	.....	D12/421
D387,906 S	* 12/1997	Petty	.....	D3/285
5,706,992 A	1/1998	Moor	.....	224/657
D390,352 S	2/1998	Lane	.....	D3/216

**1 Claim, 6 Drawing Sheets**



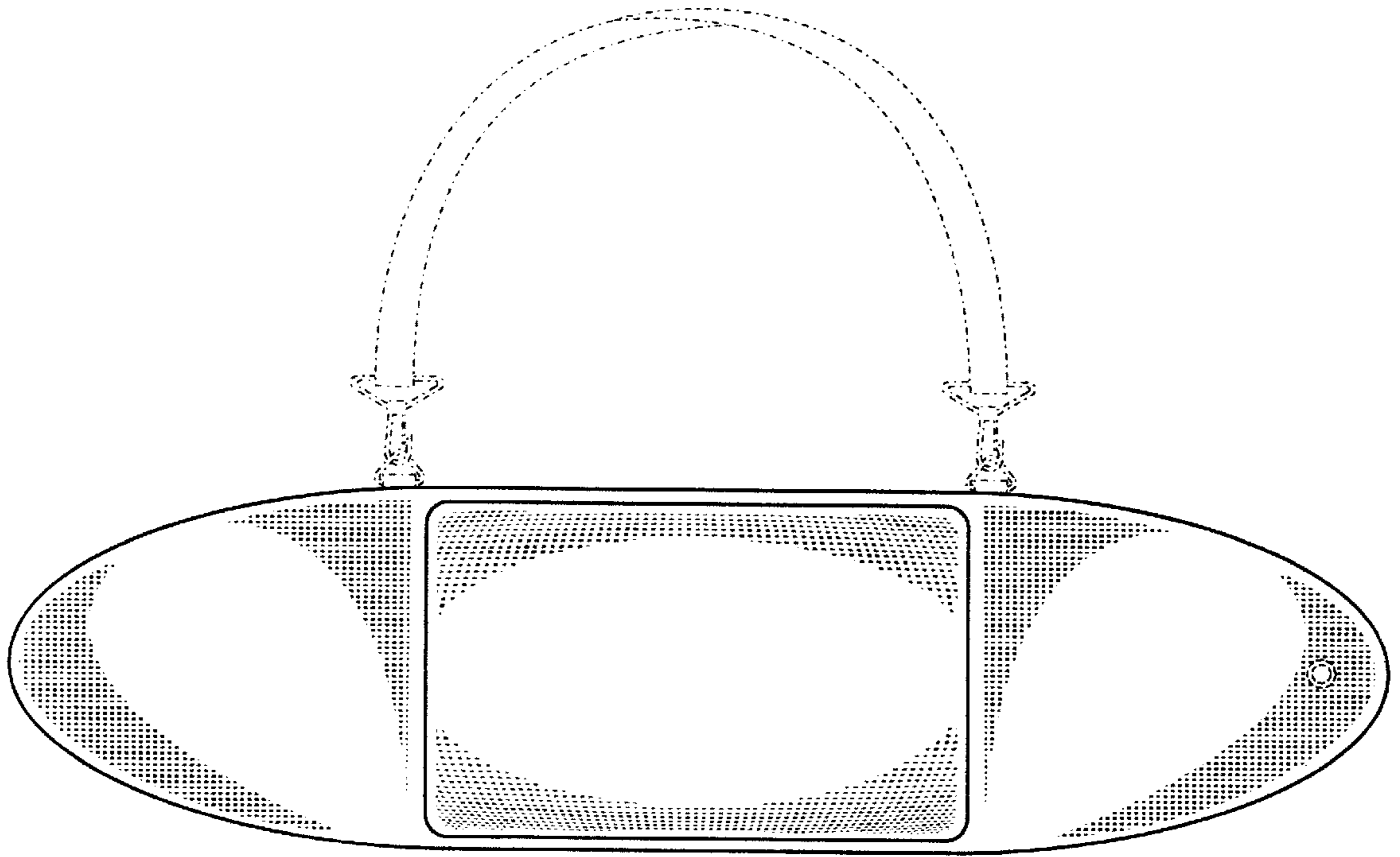


FIG. 1

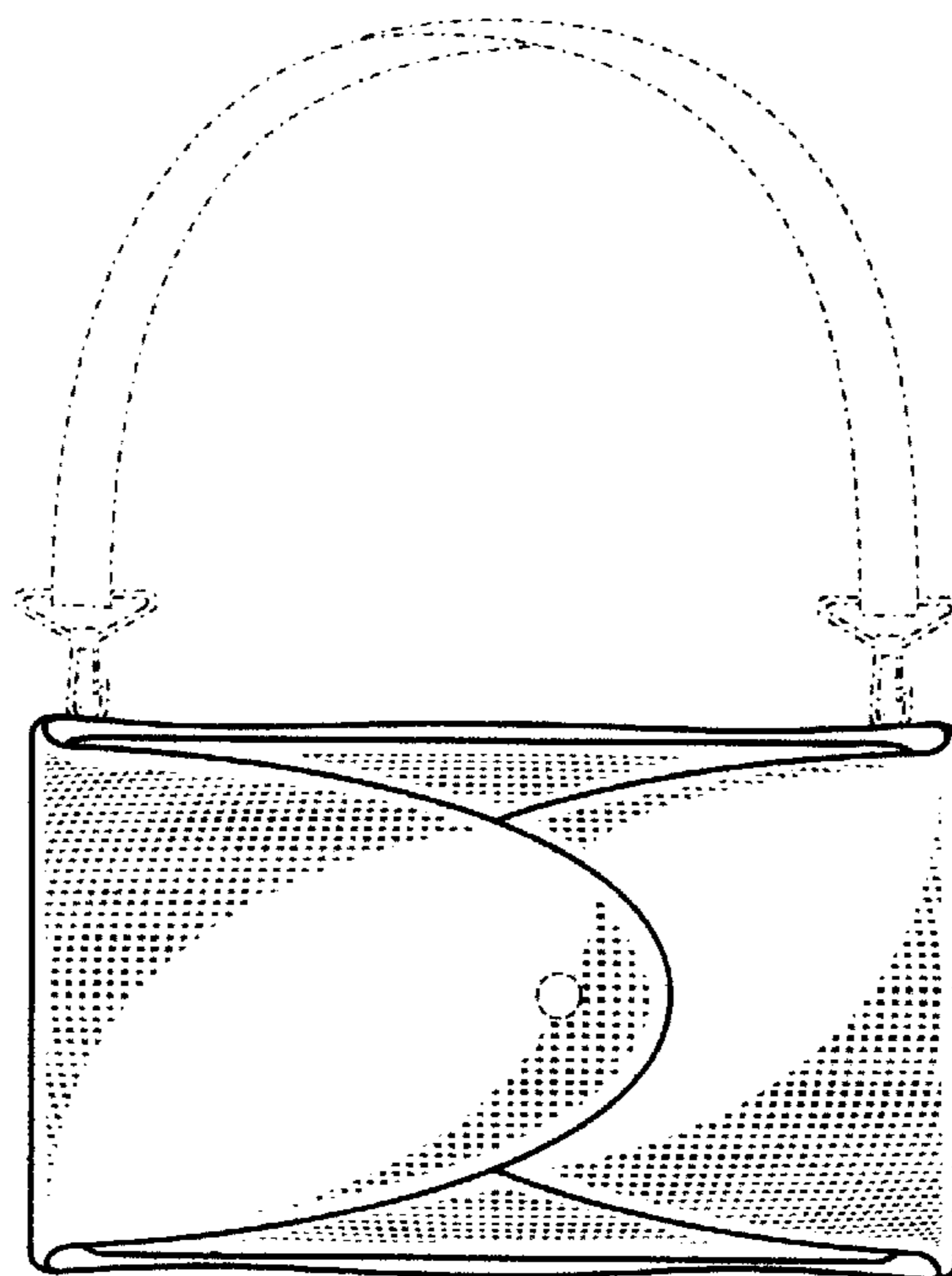


FIG. 2

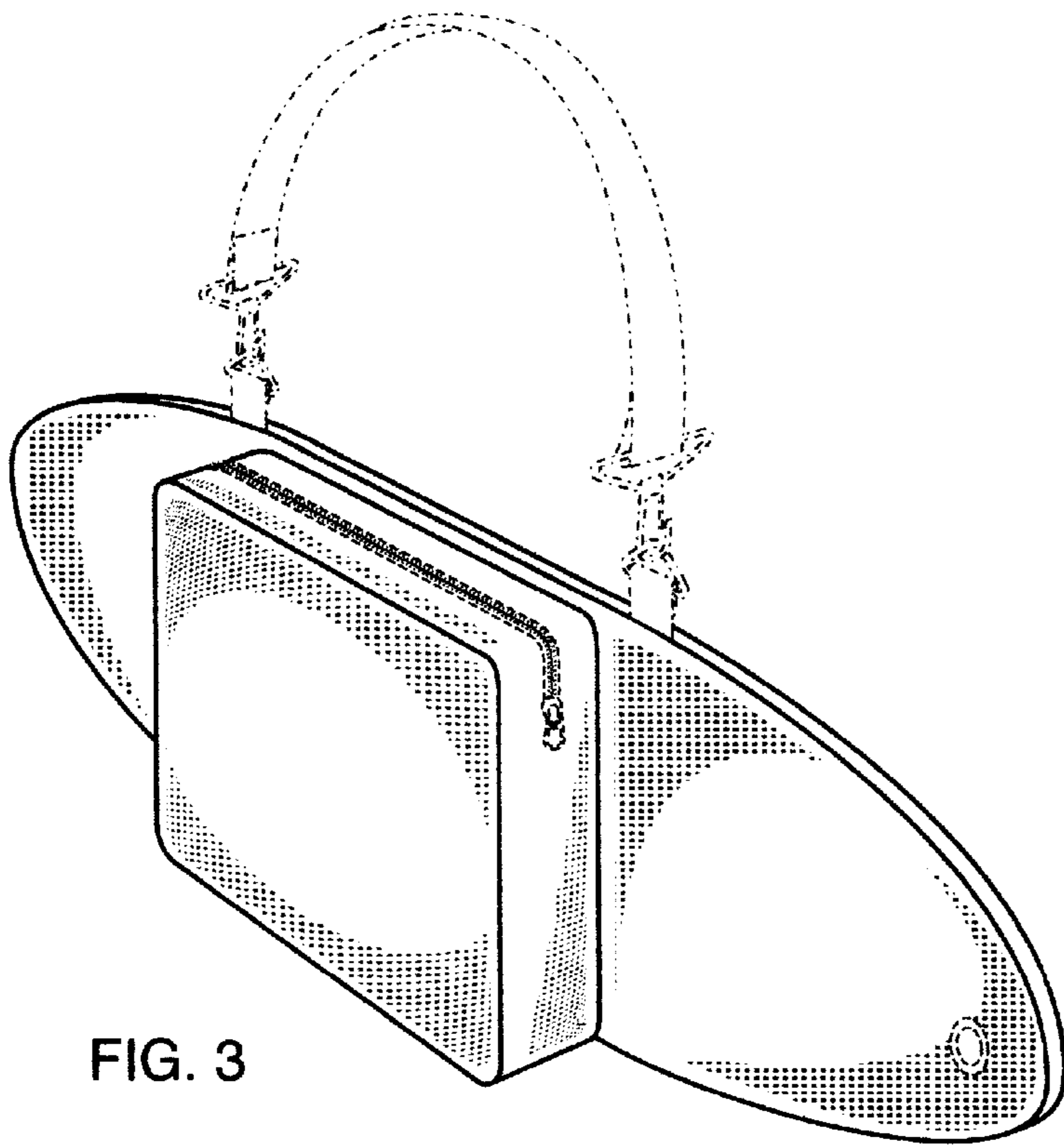


FIG. 3

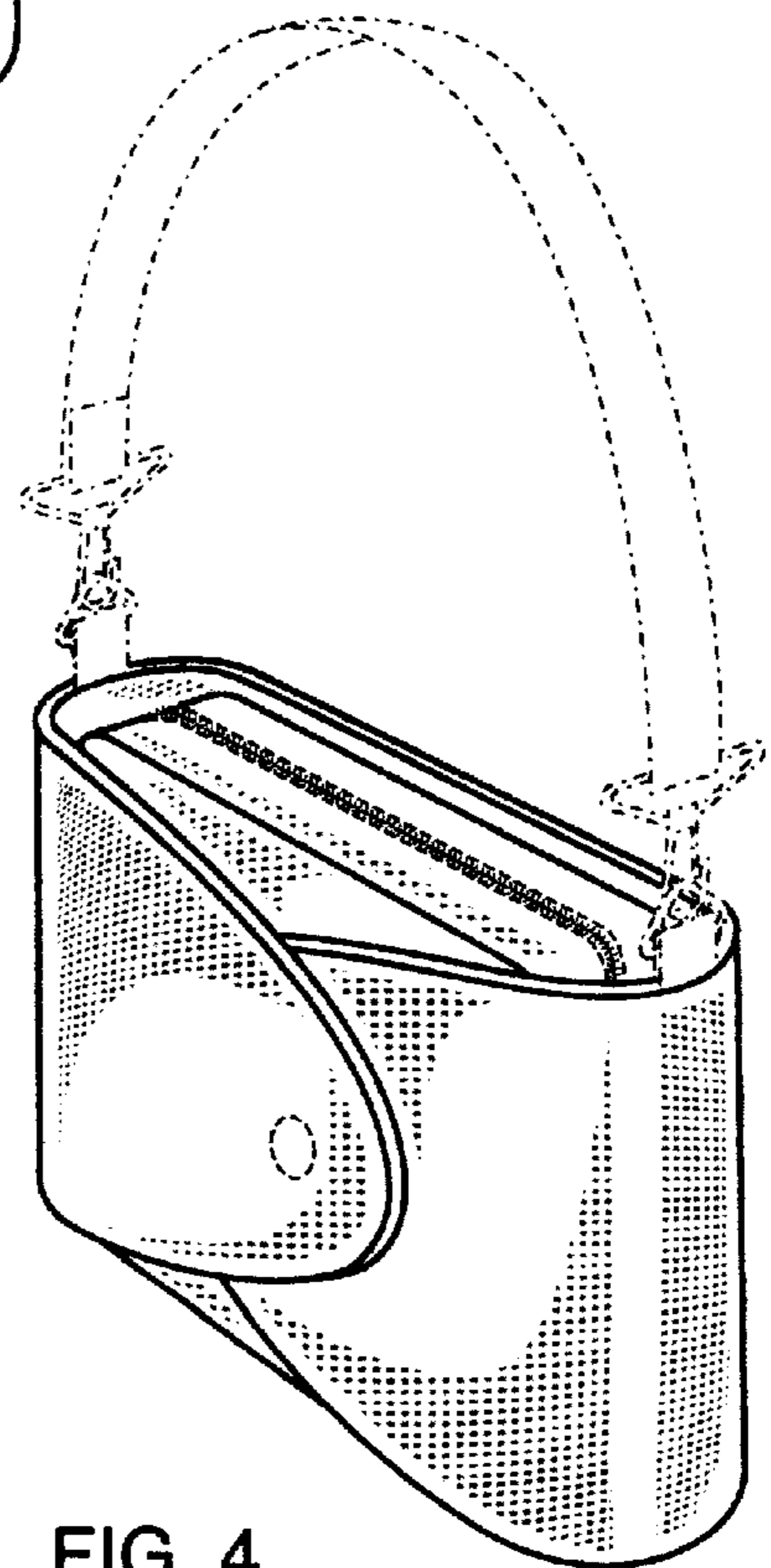


FIG. 4

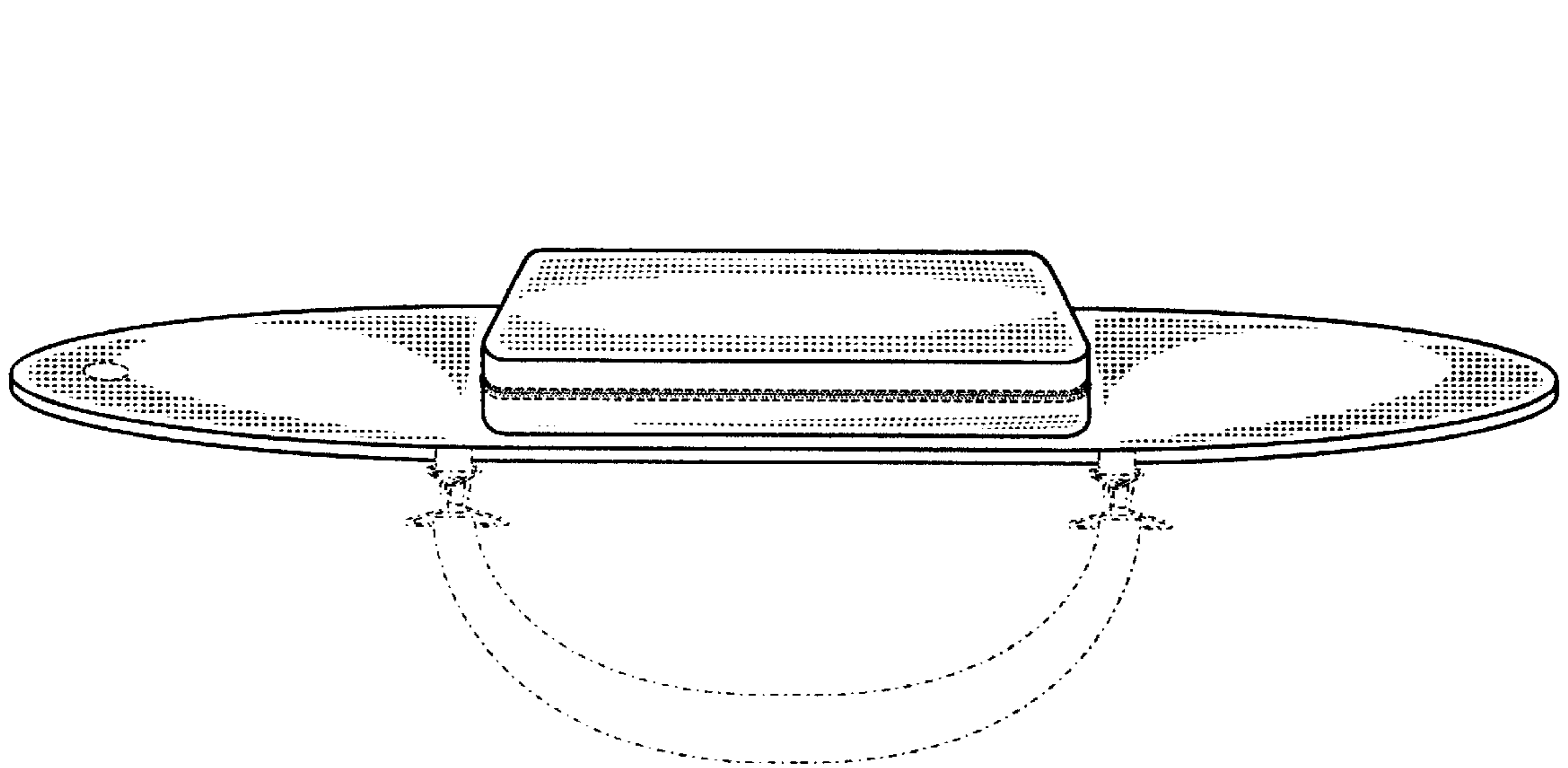


FIG. 5

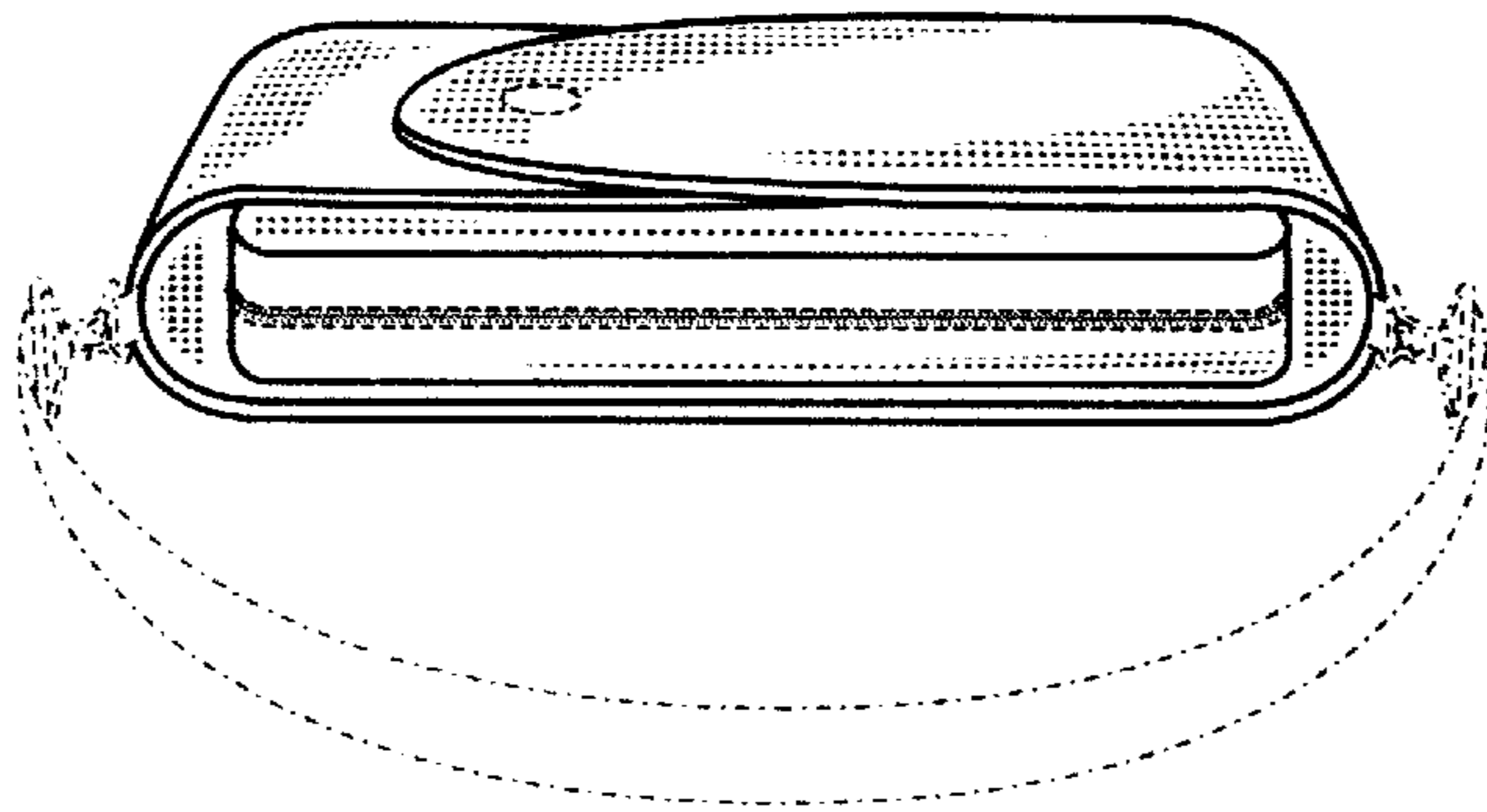


FIG. 6



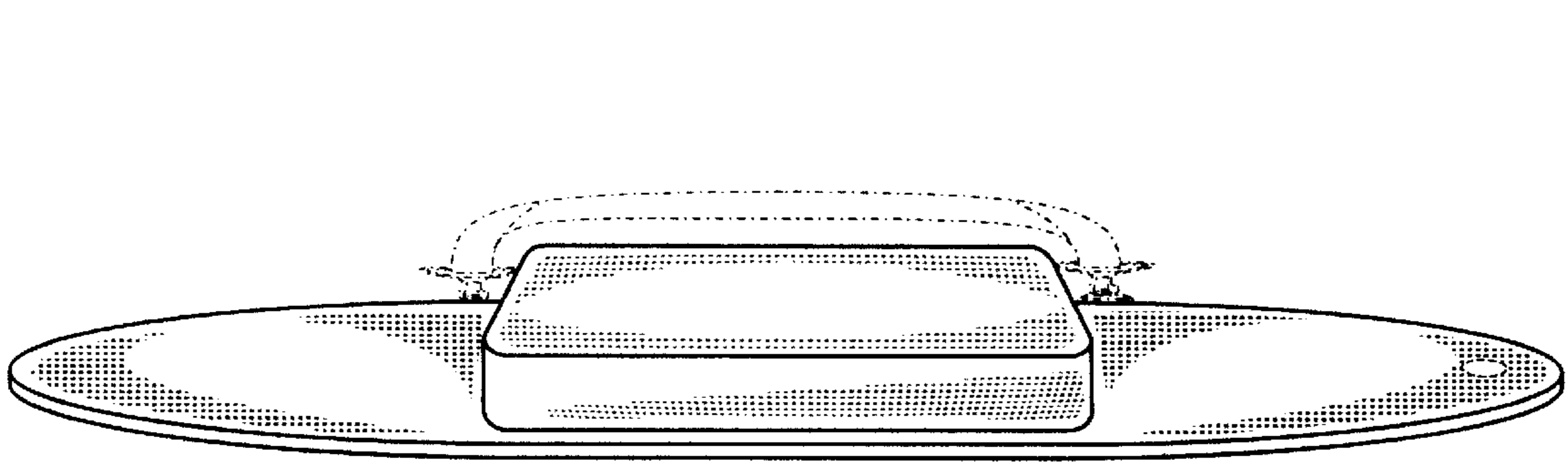


FIG. 7

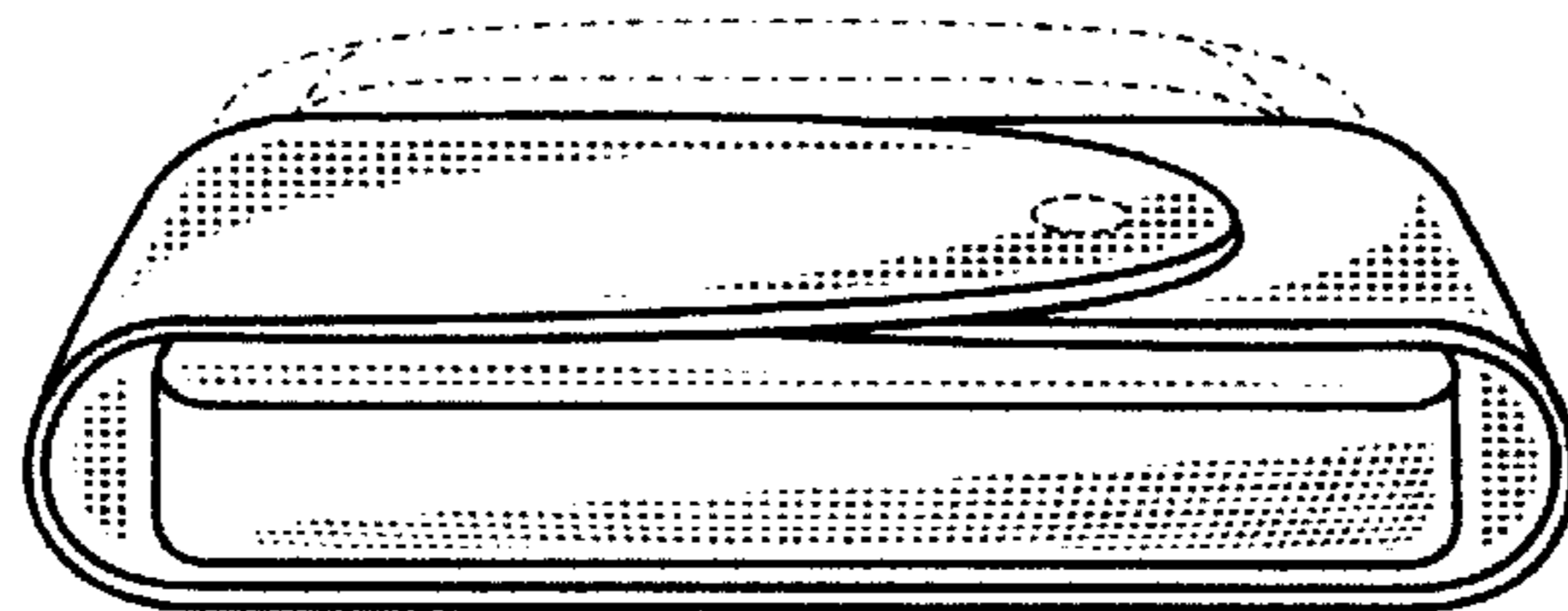


FIG. 8

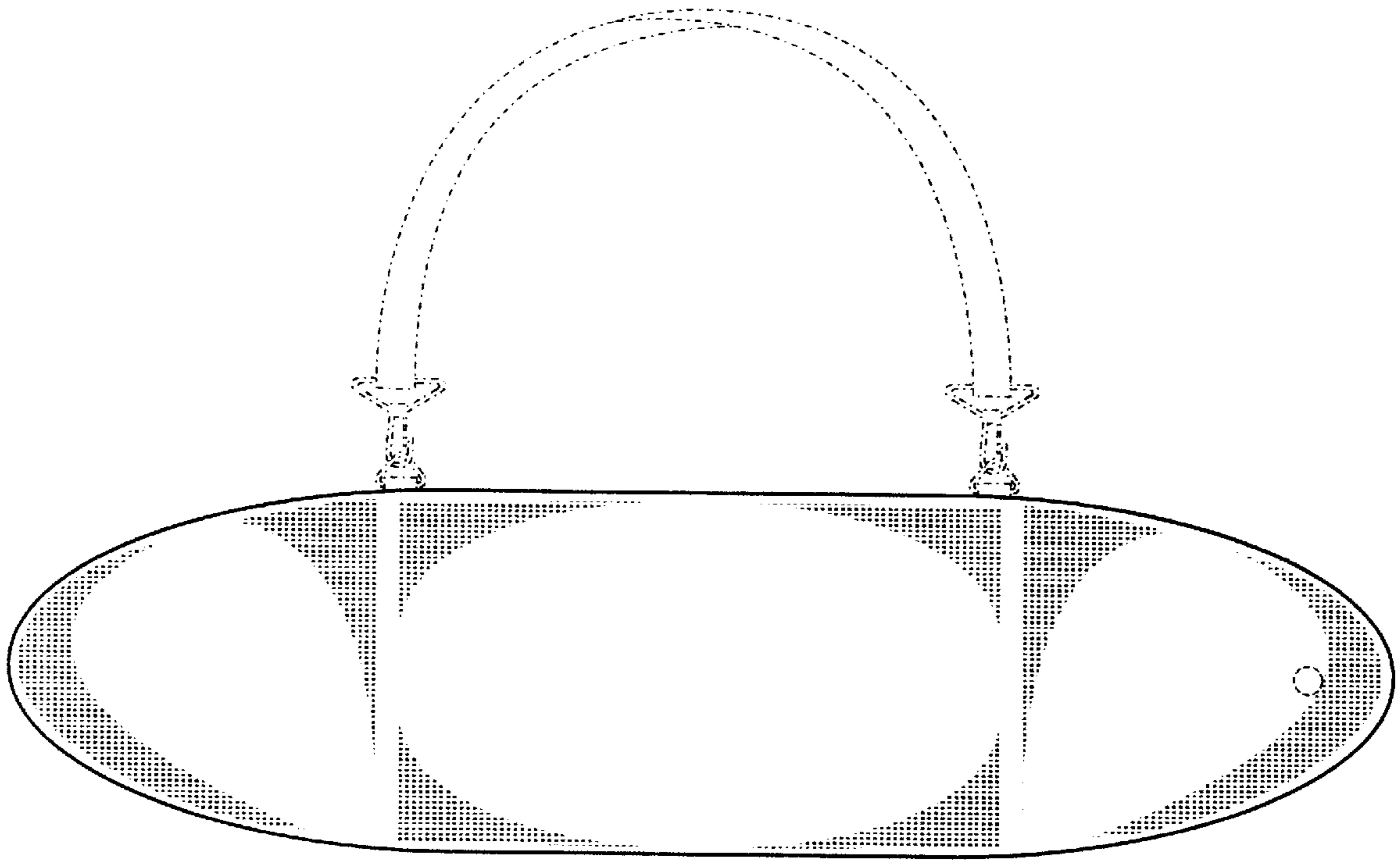


FIG. 9

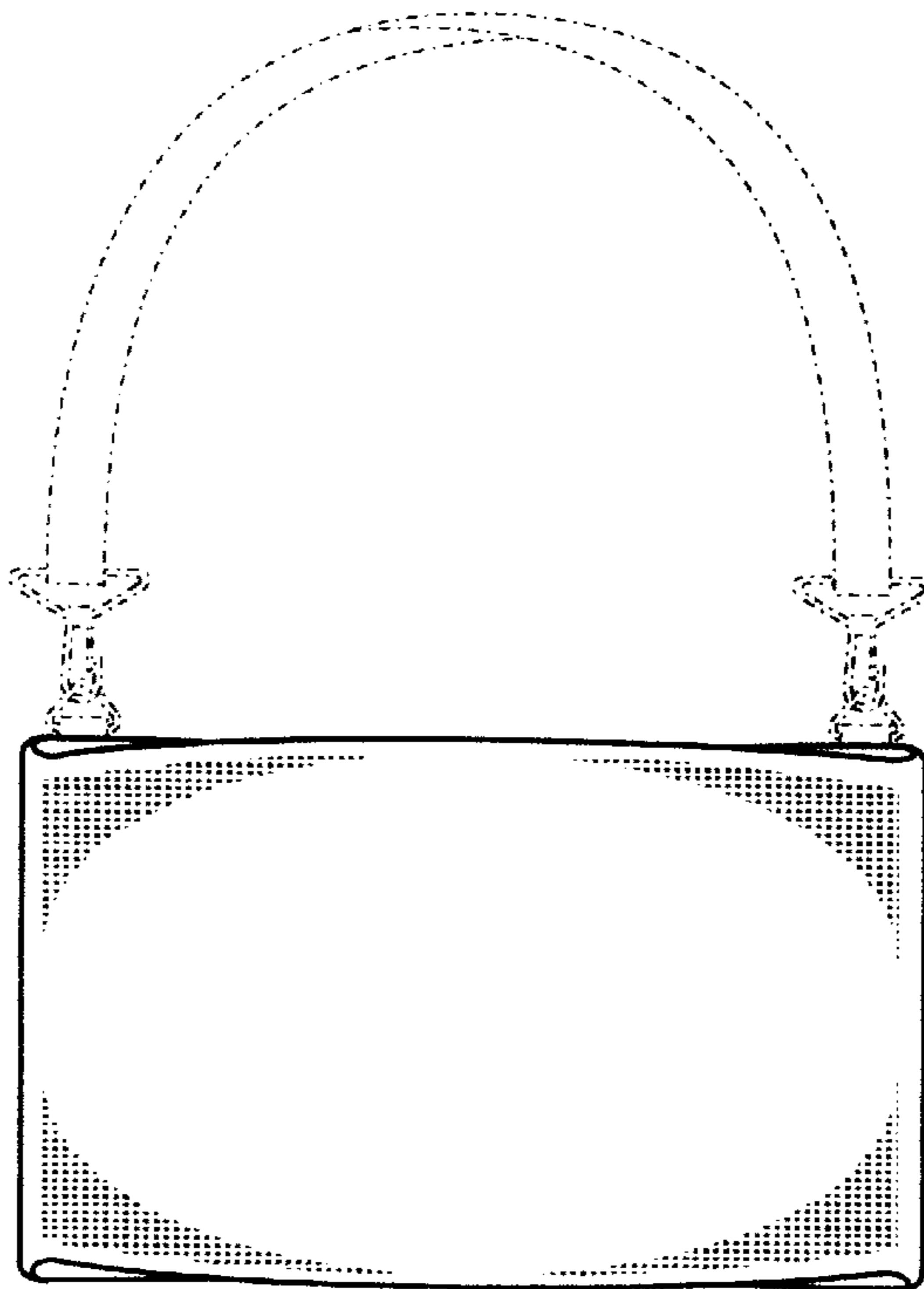


FIG. 10

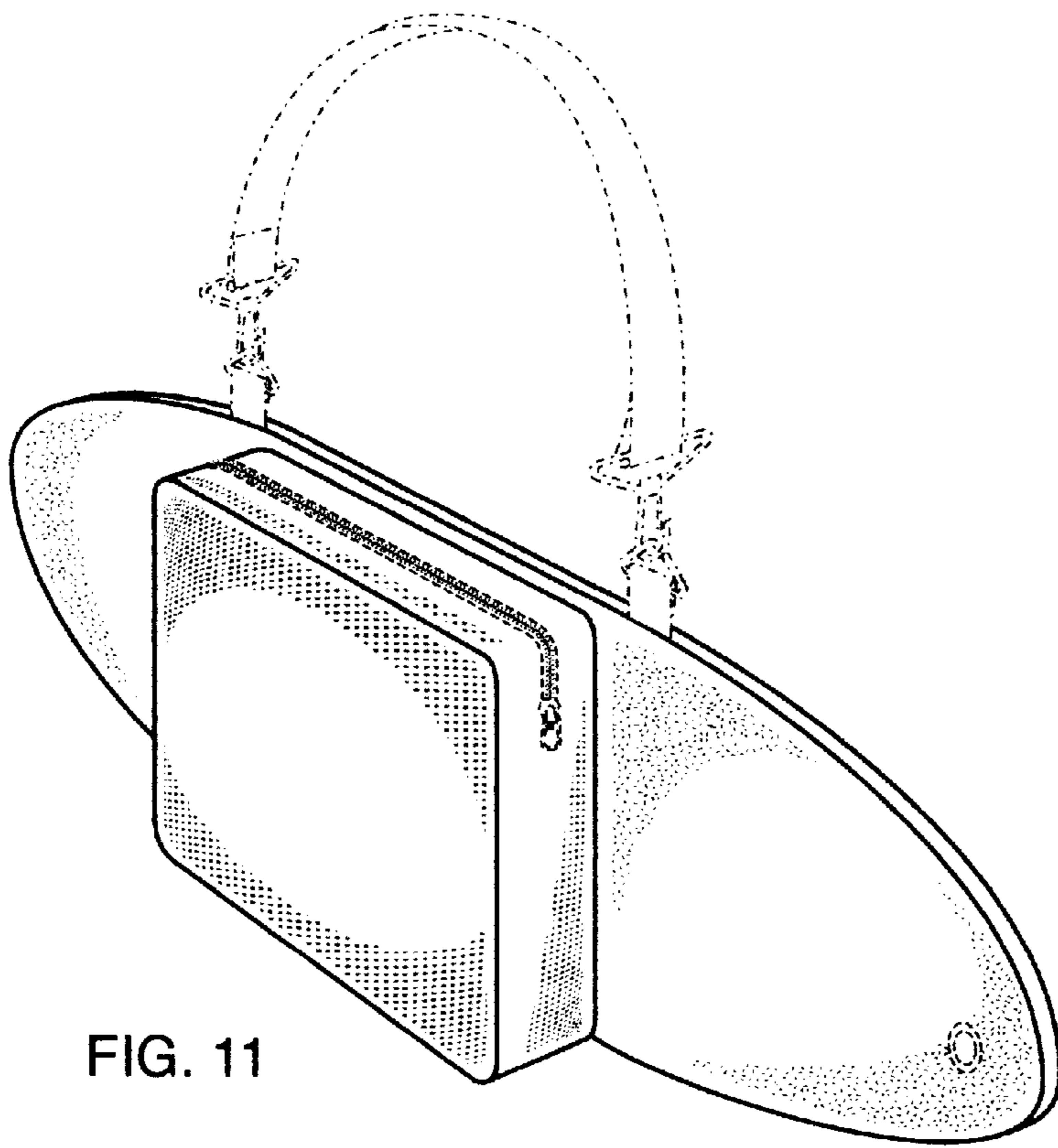


FIG. 11

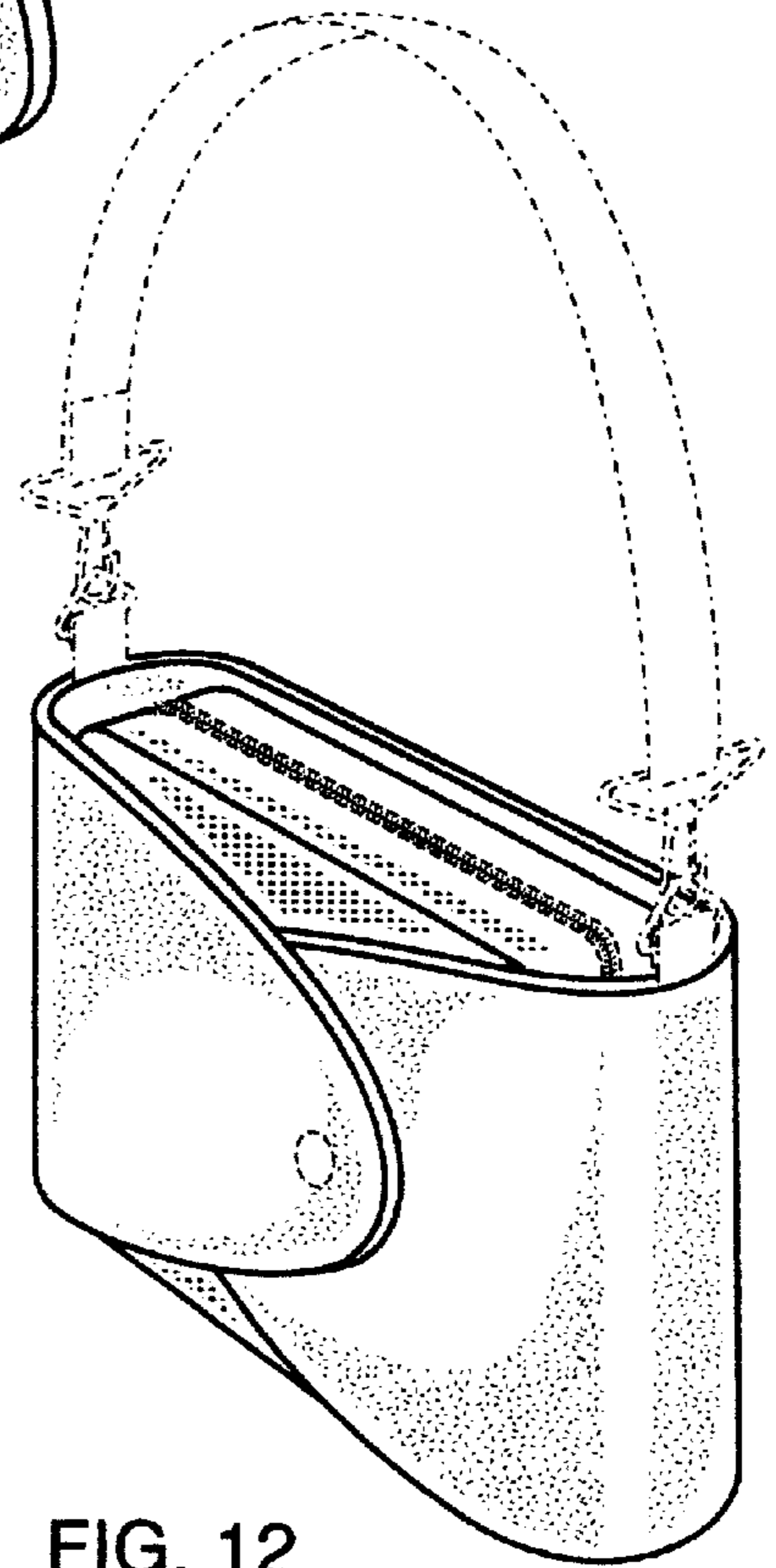


FIG. 12