



US00D461049S

(12) **United States Design Patent**
White

(10) **Patent No.:** **US D461,049 S**

(45) **Date of Patent:** **** Aug. 6, 2002**

(54) **RACE CAR CELL PHONE HOLDER**

(76) Inventor: **Ben E. White**, 429 Hudson St.,
Salisbury, NC (US) 28144

(**) Term: **14 Years**

(21) Appl. No.: **29/152,077**

(22) Filed: **Nov. 2, 2001**

(51) **LOC (7) Cl.** **03-01**

(52) **U.S. Cl.** **D3/218**

(58) **Field of Search** D3/218, 224, 226,
D3/234, 238; D21/424, 433, 548, 549;
224/901, 904, 240, 241; 446/470

(56) **References Cited**

U.S. PATENT DOCUMENTS

D332,592 S	*	1/1993	O'Dea et al.	D21/433
D368,800 S	*	4/1996	Shink	D3/218
D369,903 S	*	5/1996	Tetrault	D3/218
D379,262 S	*	5/1997	Seigel	D3/218
D446,928 S	*	8/2001	Formica	D3/218

* cited by examiner

Primary Examiner—Catherine R. Oliver
(74) *Attorney, Agent, or Firm*—Adams, Schwartz & Evans,
P.A.

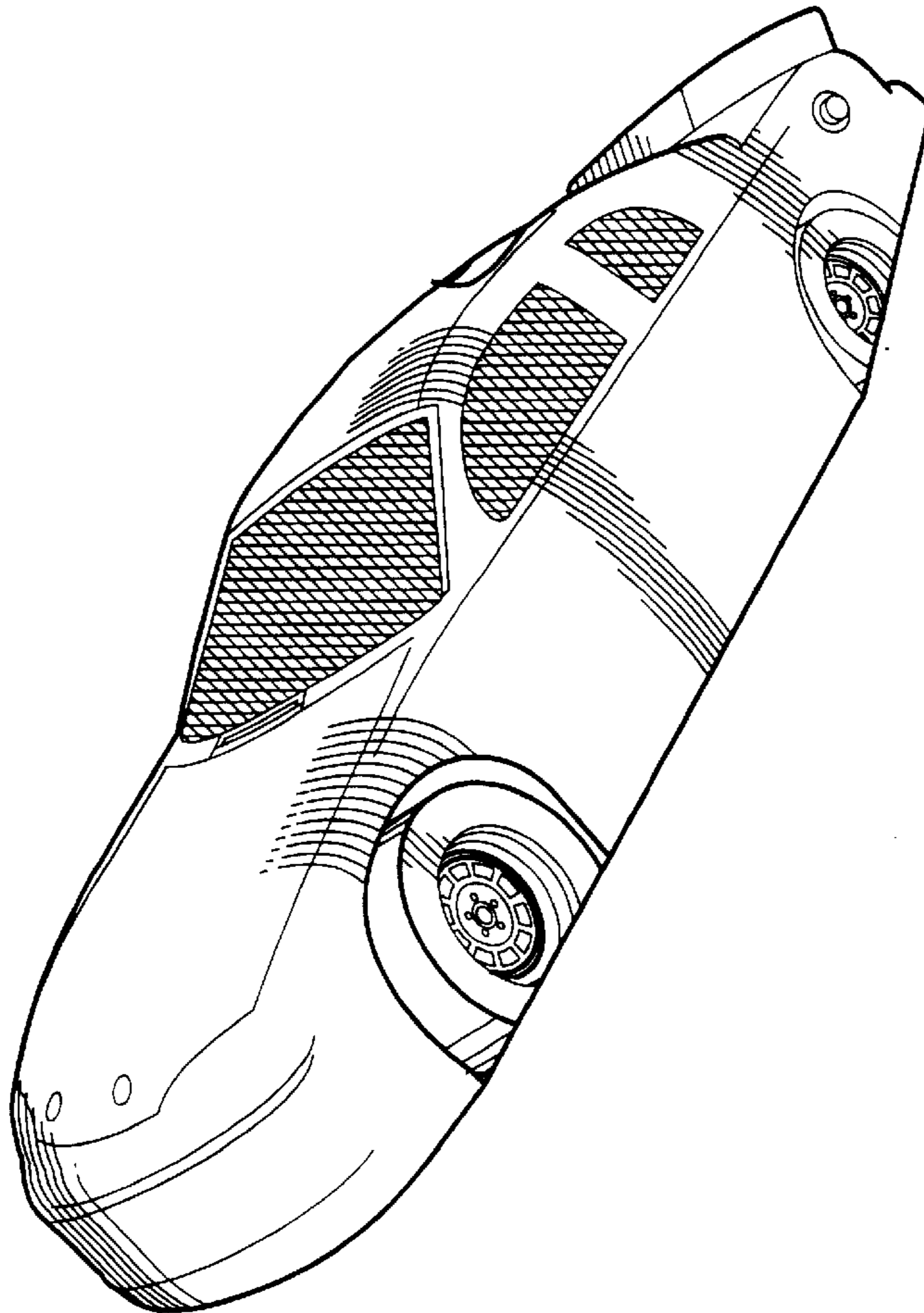
(57) **CLAIM**

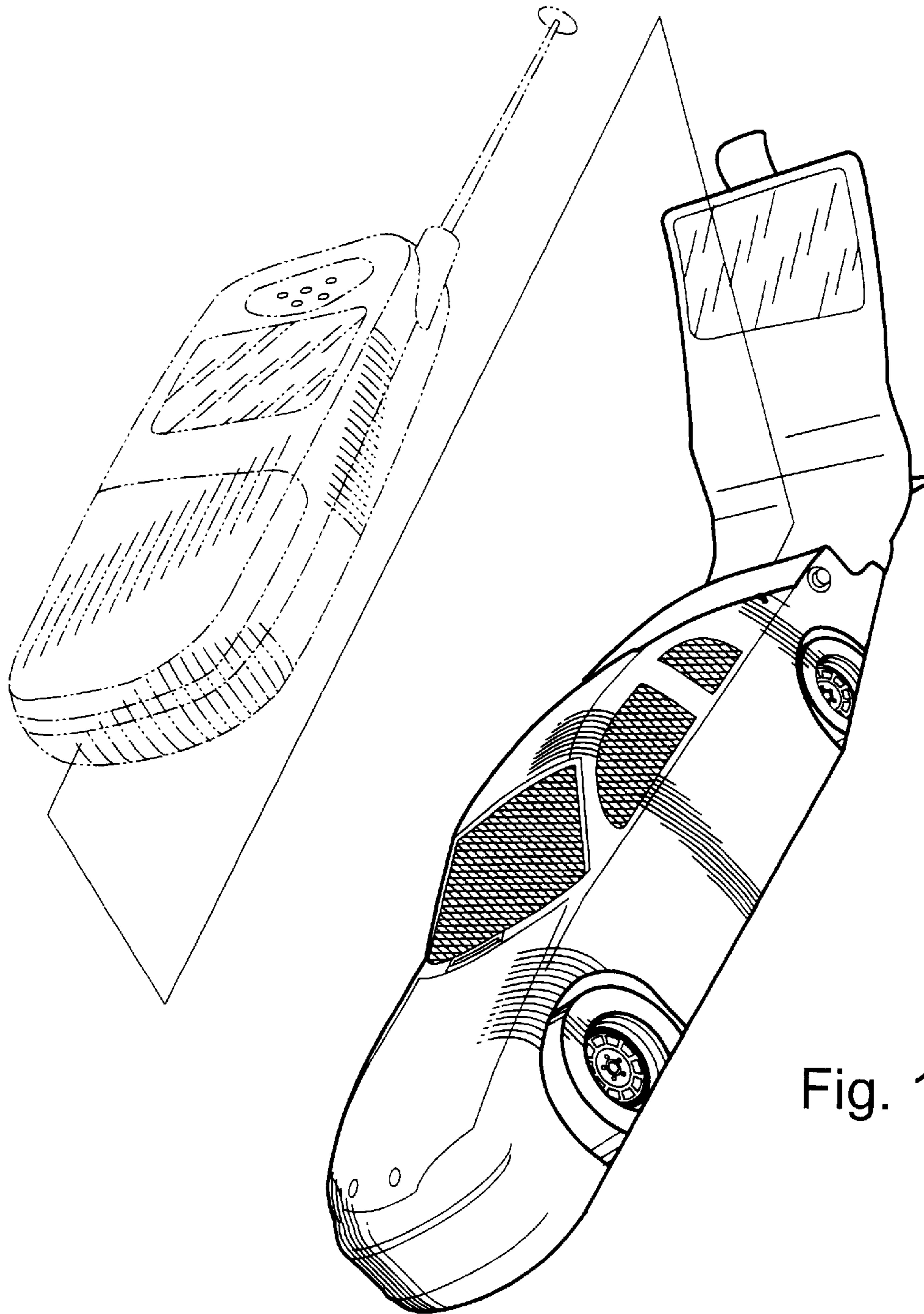
The ornamental design for a race car cell phone holder, as shown and described.

DESCRIPTION

FIG. 1 is a perspective view of the race car cell phone holder with the top flap shown in an open position, the broken line showing of a cell phone being for illustrative purposes only and forming no part of the claimed design;
FIG. 2 is a perspective view of the race car cell phone holder with the top flap shown in a closed position;
FIG. 3 is a bottom view thereof;
FIG. 4 is a top view thereof;
FIG. 5 is a front view thereof;
FIG. 6 is a side view thereof; and,
FIG. 7 is a rear view thereof, with the broken line showing of a belt being for illustrative purposes only and forming no part of the claimed design.

1 Claim, 5 Drawing Sheets





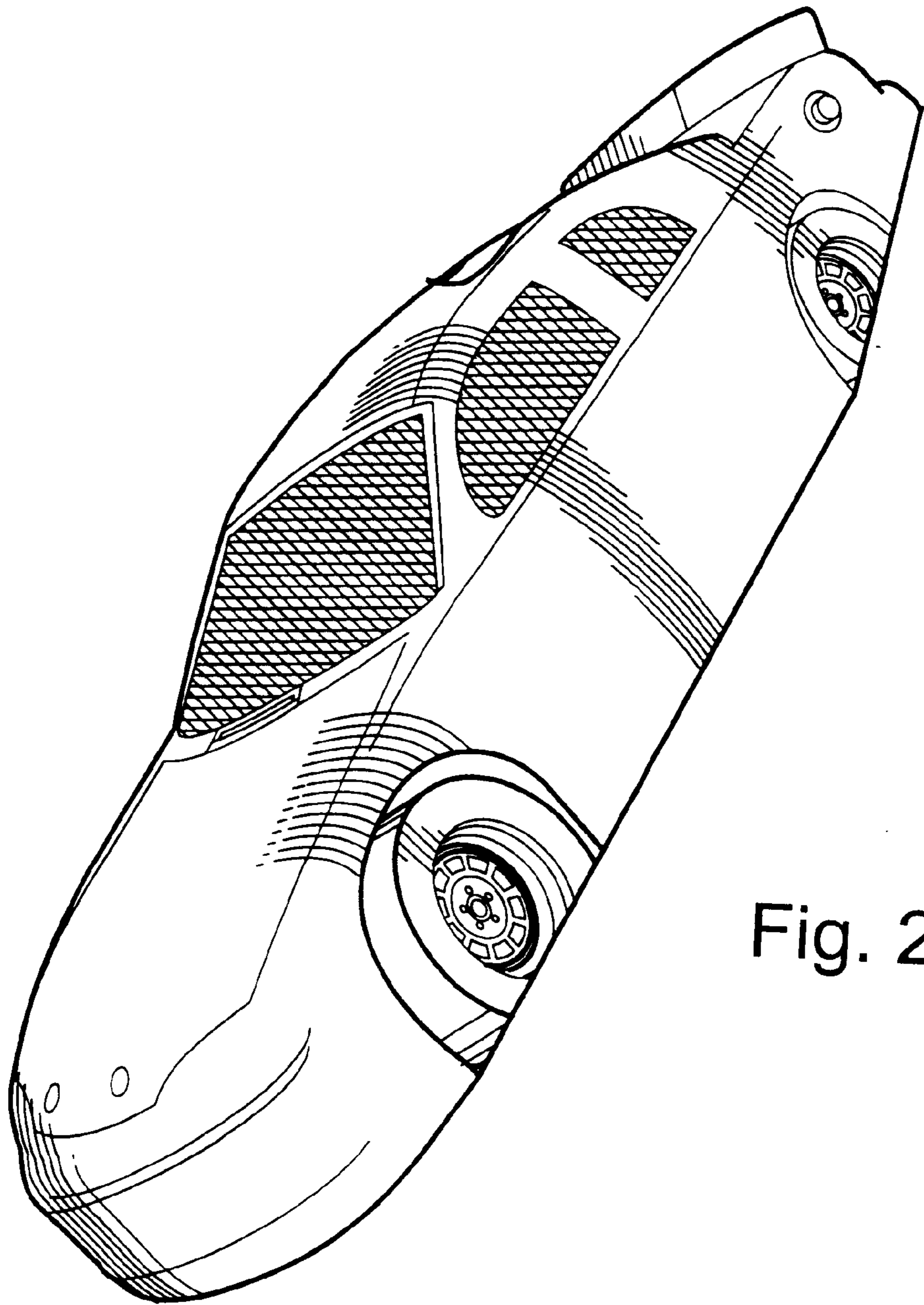


Fig. 2

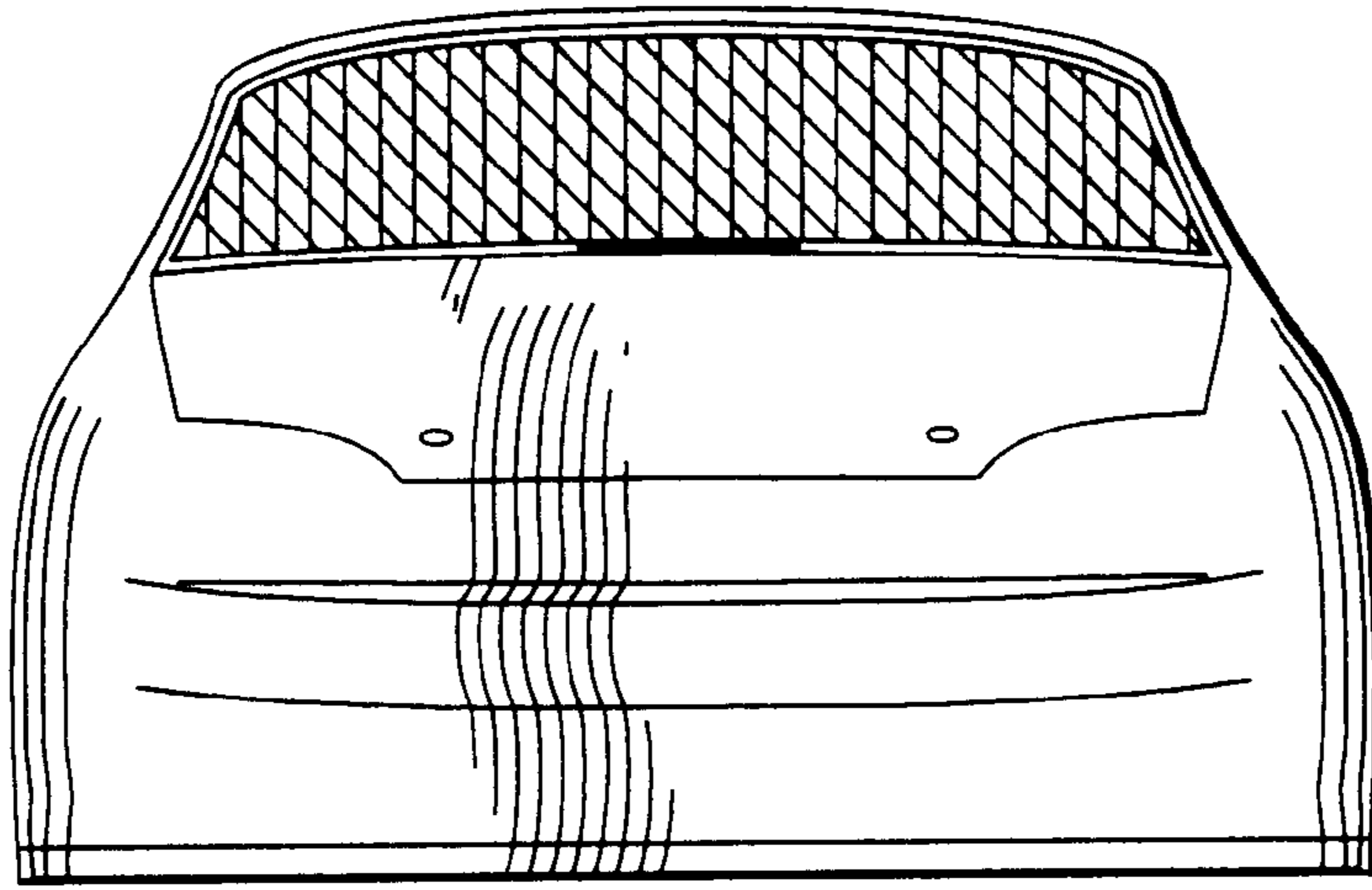


Fig. 3

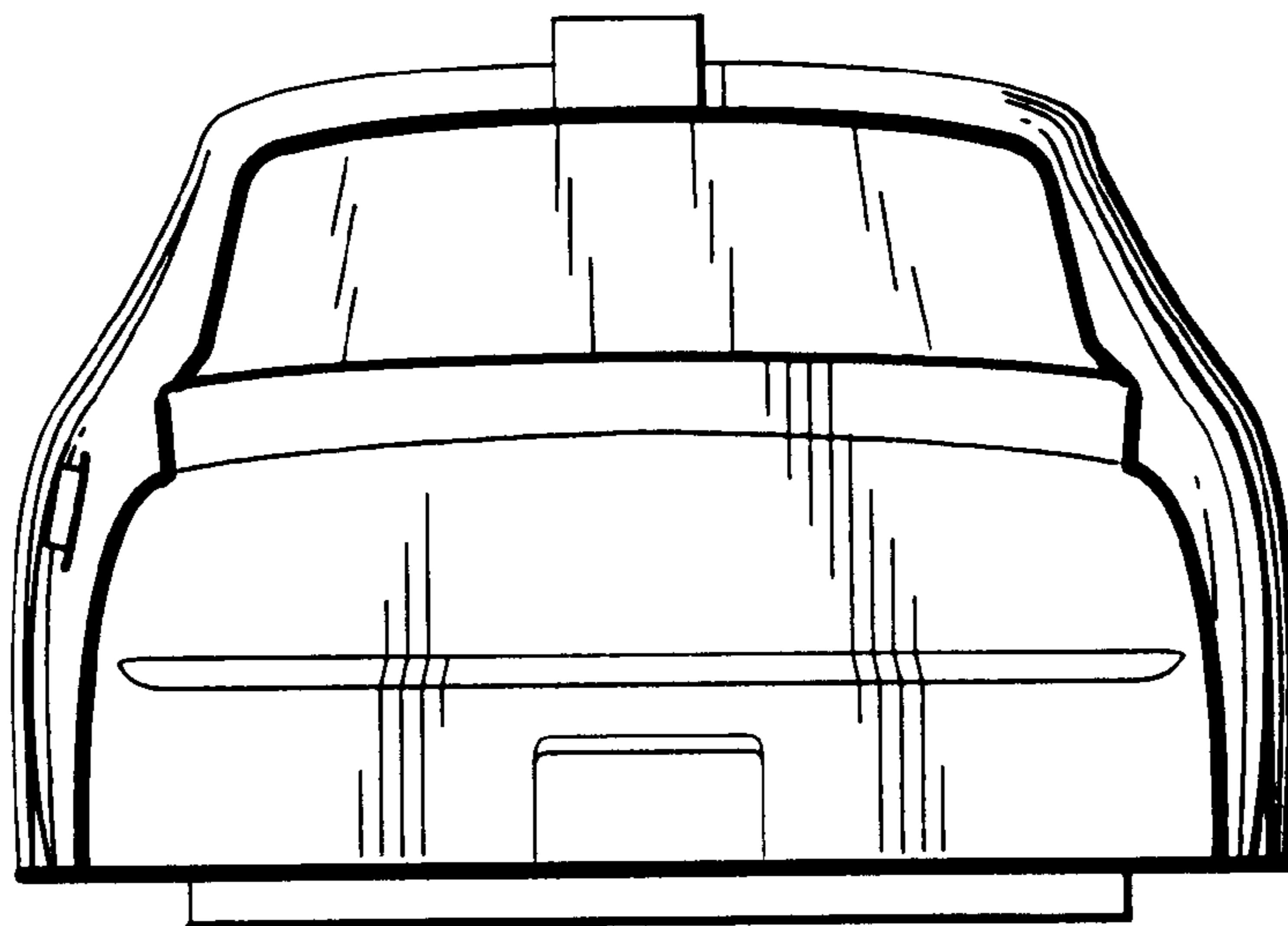


Fig. 4

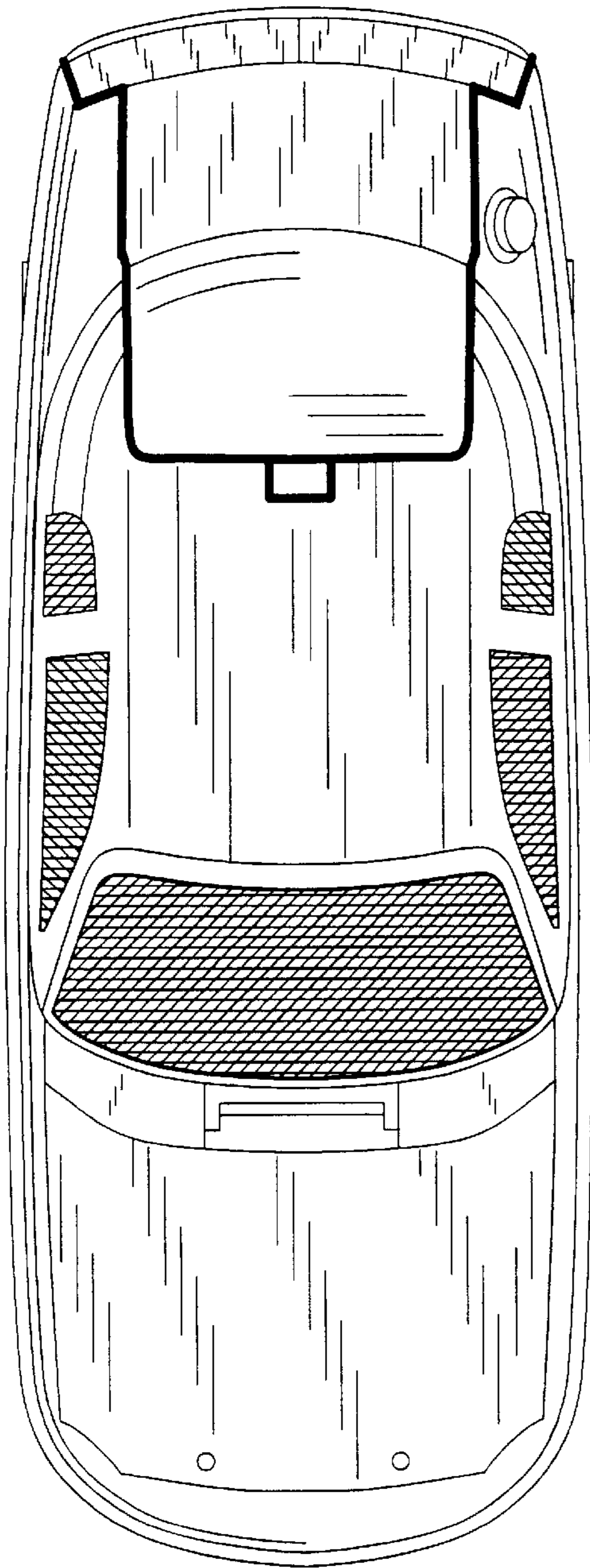


Fig. 5

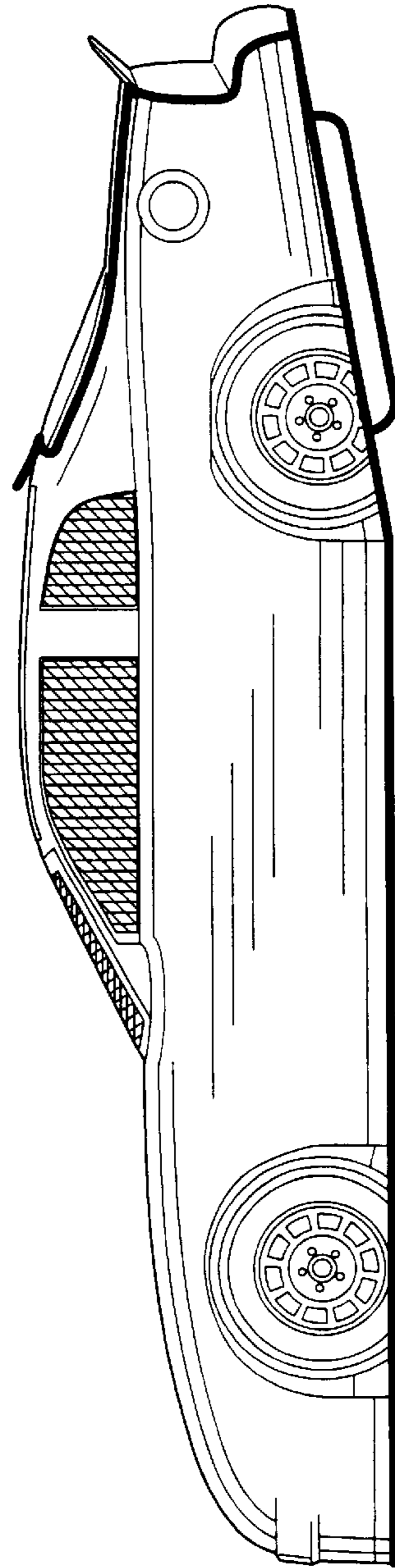


Fig. 6

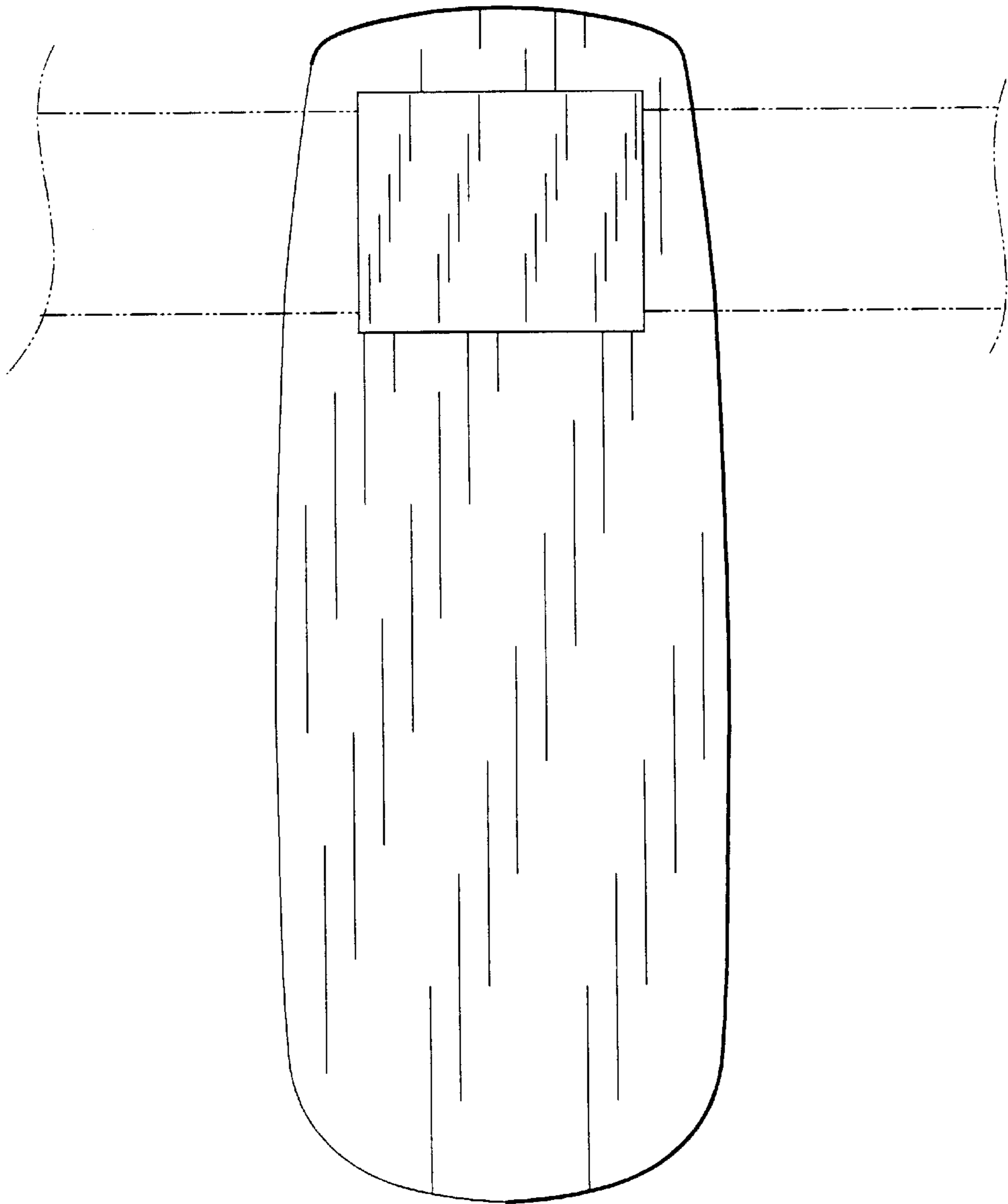


Fig. 7