



US00D461048S

(12) **United States Design Patent**  
**Blanking**

(10) **Patent No.:** **US D461,048 S**

(45) **Date of Patent:** **\*\* Aug. 6, 2002**

(54) **BACKPACK**

**FOREIGN PATENT DOCUMENTS**

(75) Inventor: **Jonas Blanking**, Malmö (SE)

EP 0 748 599 12/1996  
WO 98/30126 7/1998

(73) Assignee: **Global Act Aktiebolag**, Torekov (SE)

\* cited by examiner

(\*\*) Term: **14 Years**

*Primary Examiner*—Celia Murphy

(21) Appl. No.: **29/134,300**

(74) *Attorney, Agent, or Firm*—Smith, Gambrell & Russell, LLP

(22) Filed: **Dec. 20, 2000**

(57) **CLAIM**

(30) **Foreign Application Priority Data**

I claim the ornamental design for a backpack, as shown and described.

Jun. 22, 2000 (SE) ..... 00-1152

(51) **LOC (7) Cl.** ..... **03-01**

**DESCRIPTION**

(52) **U.S. Cl.** ..... **D3/216; D3/217**

FIG. 1 is a front view of a backpack showing my new design;

(58) **Field of Search** ..... D3/213–217, 229, D3/327; 224/153, 155, 162, 259, 576, 579–602, 627, 628–631, 643, 646, 647, 652, 653, 656, 657

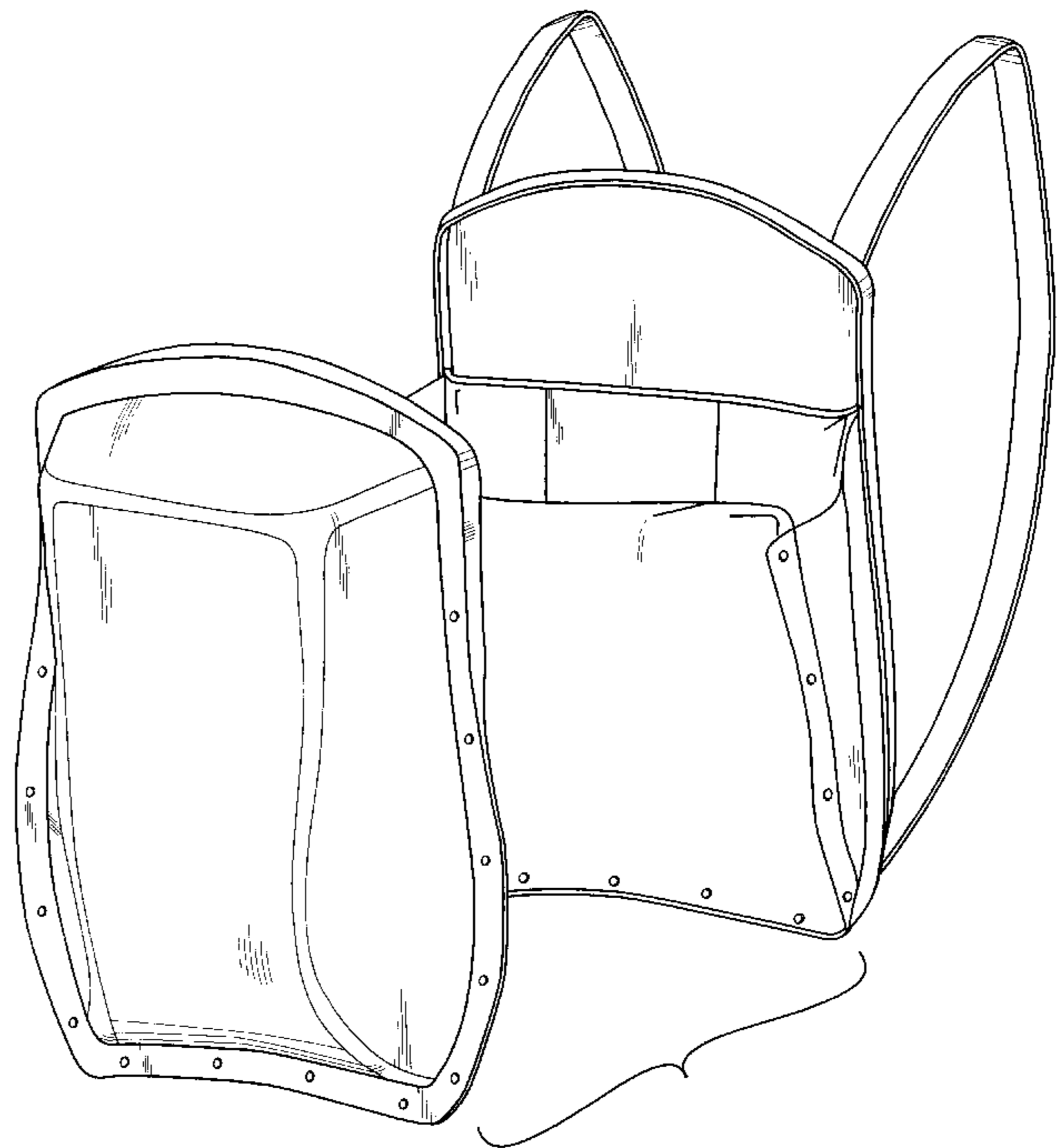
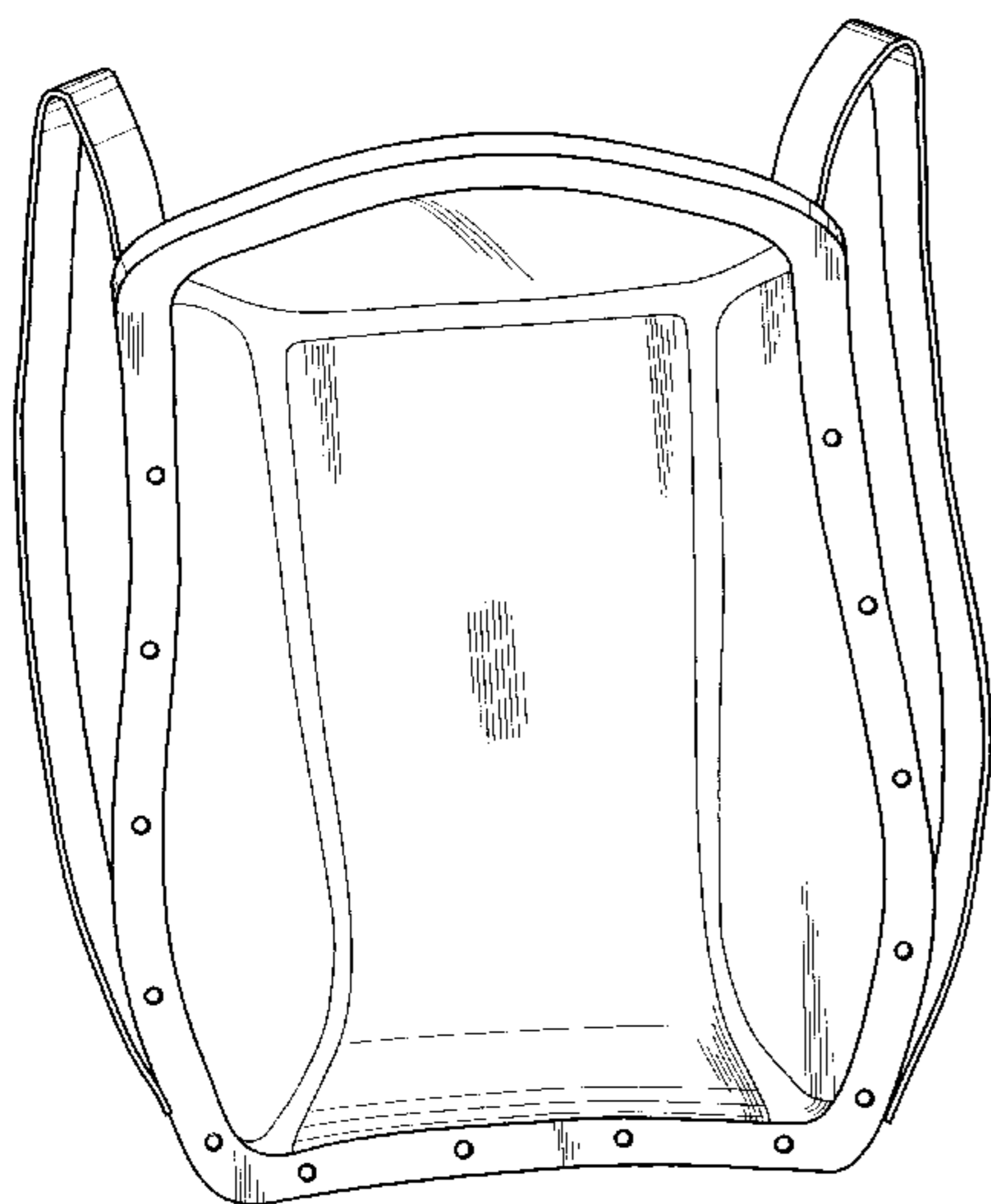
FIG. 2 is a perspective view thereof;  
FIG. 3 is a rear view thereof;  
FIG. 4 is a rear perspective view thereof;  
FIG. 5 is a right side elevational view thereof;  
FIG. 6 is a bottom plan view thereof;  
FIG. 7 is a top plan view thereof;  
FIG. 8 is a right perspective view in an open position;  
FIG. 9 is an exploded front perspective view of the shell and pack;  
FIG. 10 is an exploded side perspective view of the shell and pack;  
FIG. 11 is a front perspective view of the pack portion; the shell being separated; and,  
FIG. 12 is an inside perspective view of the shell portion, separated from the pack.

(56) **References Cited**

**U.S. PATENT DOCUMENTS**

2,667,996	A	*	2/1954	Fanelli	.....	224/153
D214,476	S	*	6/1969	Maxwell	.....	D3/217
D236,388	S	*	8/1975	Walters	.....	D3/217
4,088,252	A	*	5/1978	Grunberger	.....	224/629
4,089,447	A	*	5/1978	Achmeteli	.....	224/644
D254,518	S	*	3/1980	Taggart	.....	D3/216
4,361,259	A		11/1982	Chanter	.....	224/211
5,634,576	A	*	6/1997	Arbel	.....	224/153
D426,951	S	*	6/2000	Rohrbach et al.	.....	D3/217
6,164,509	A	*	12/2000	Gausling et al.	.....	224/627
6,179,186	B1	*	1/2001	Blanking	.....	224/629

**1 Claim, 8 Drawing Sheets**



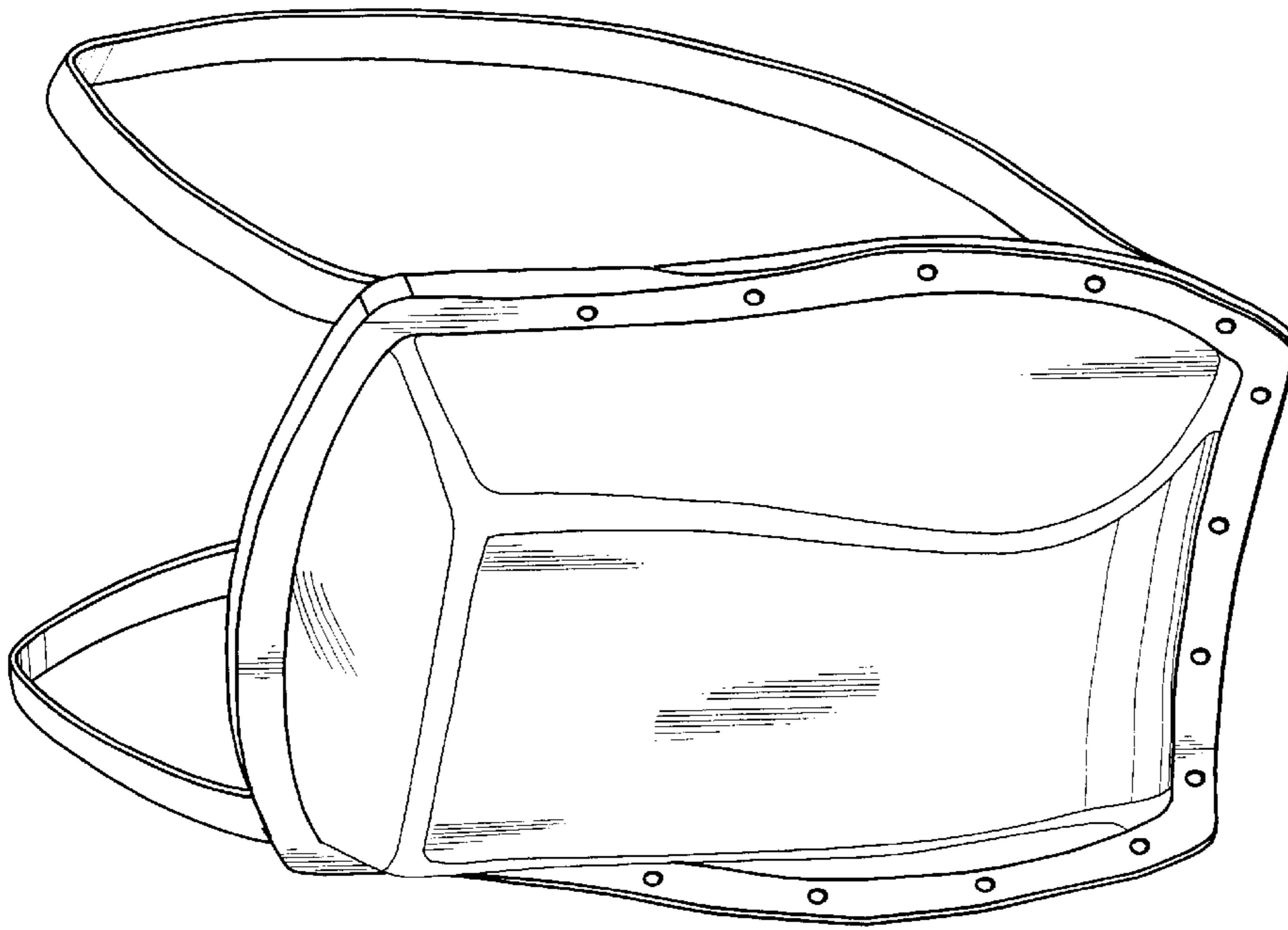


Fig. 2

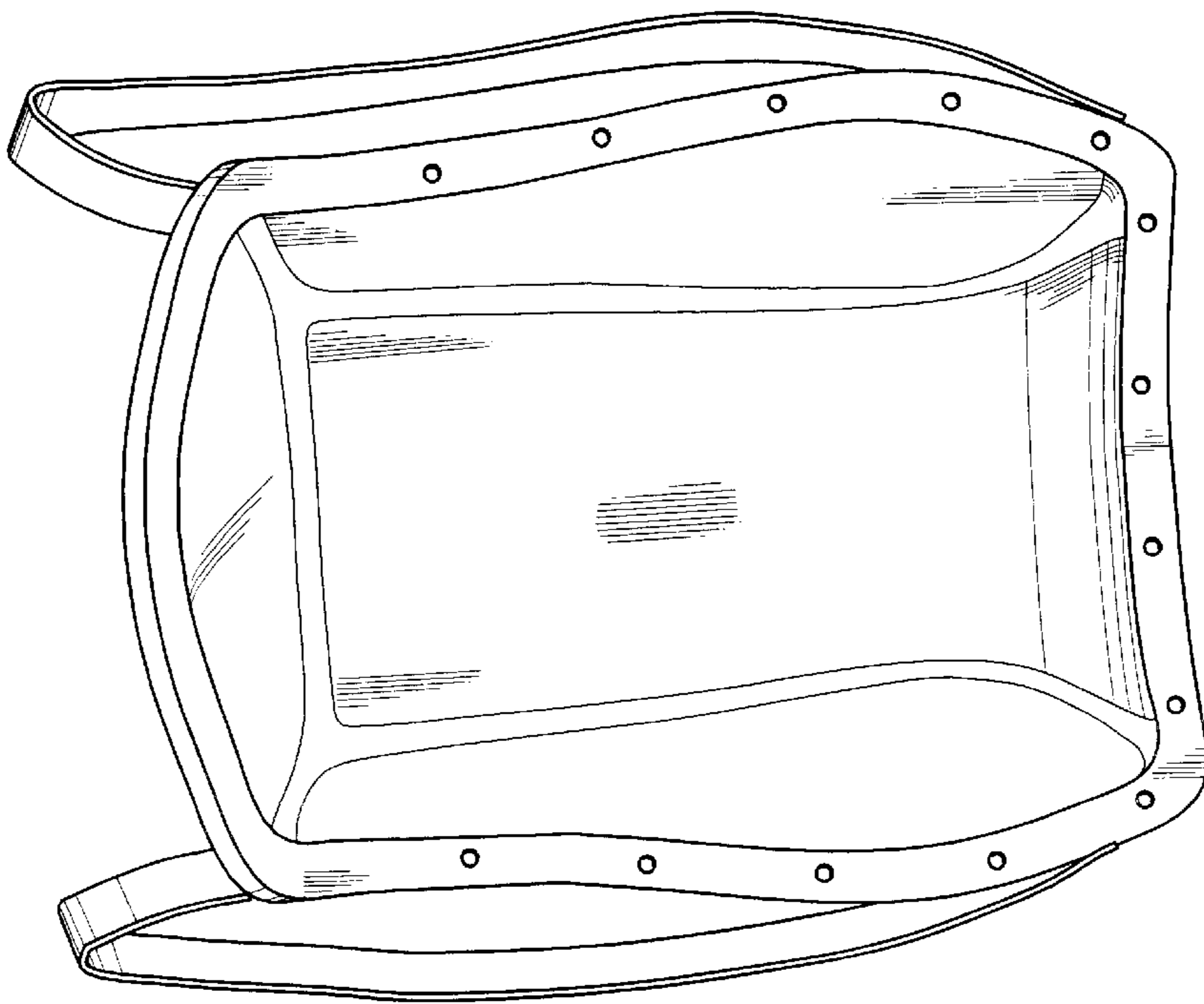


Fig. 1

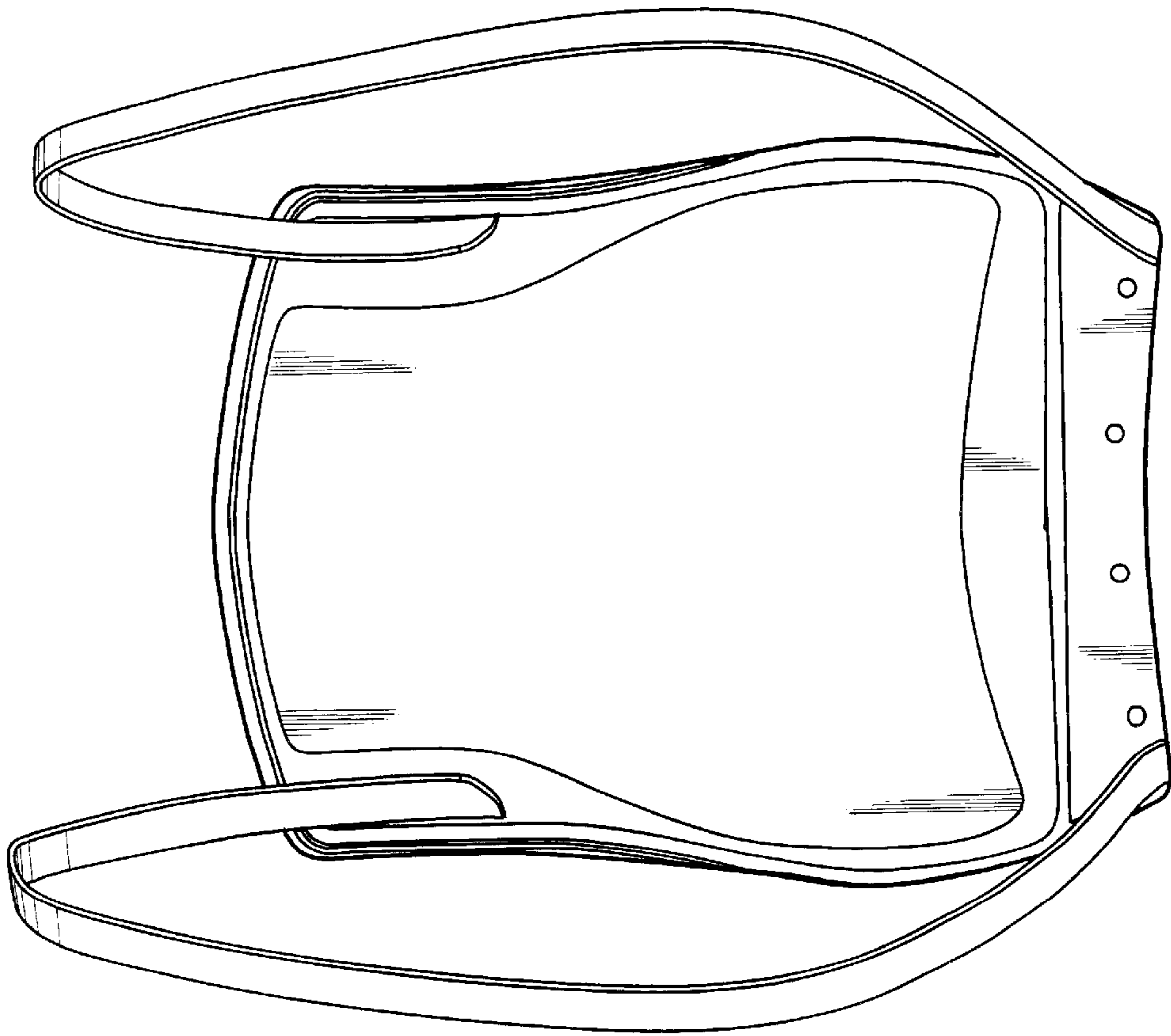


Fig. 3

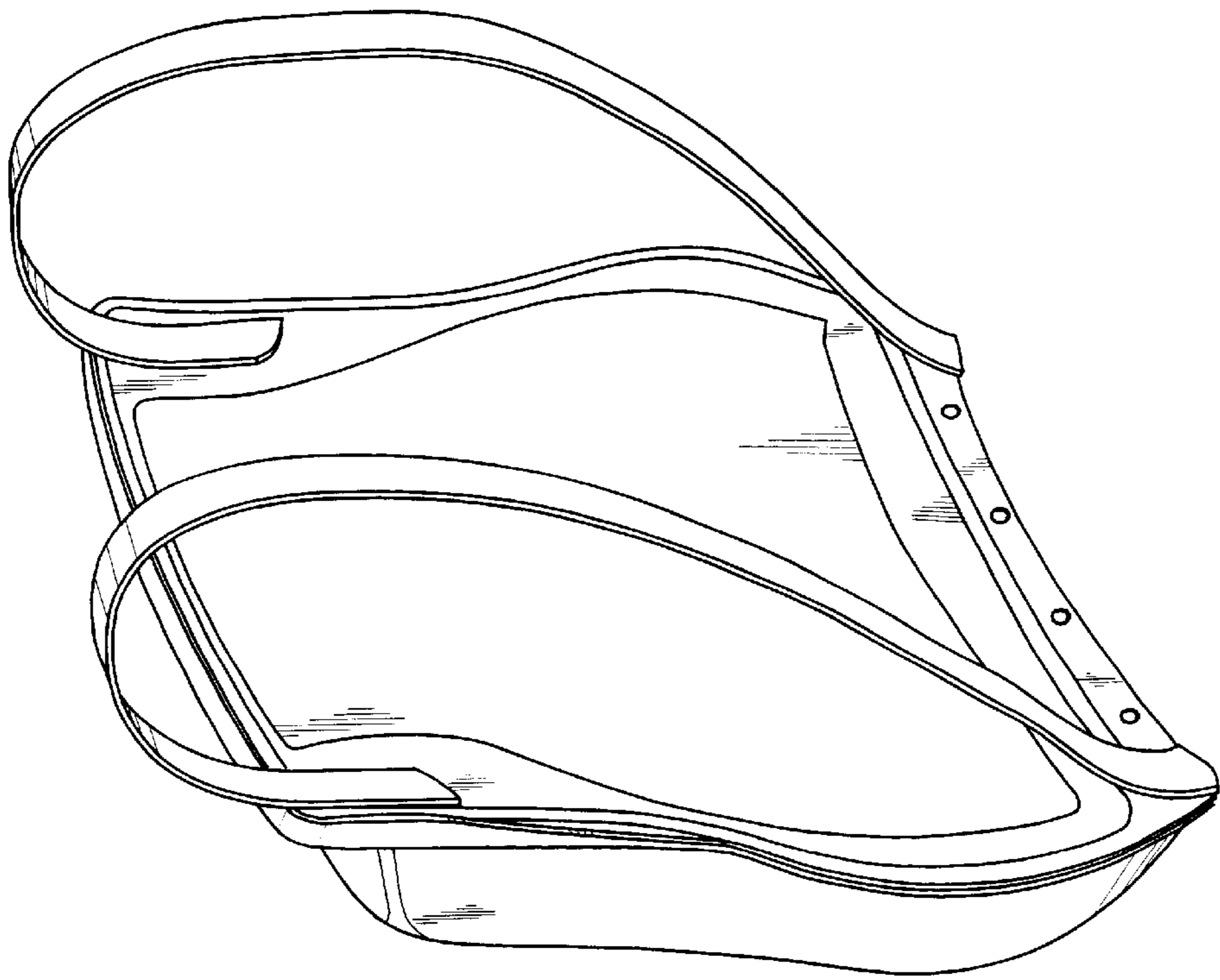
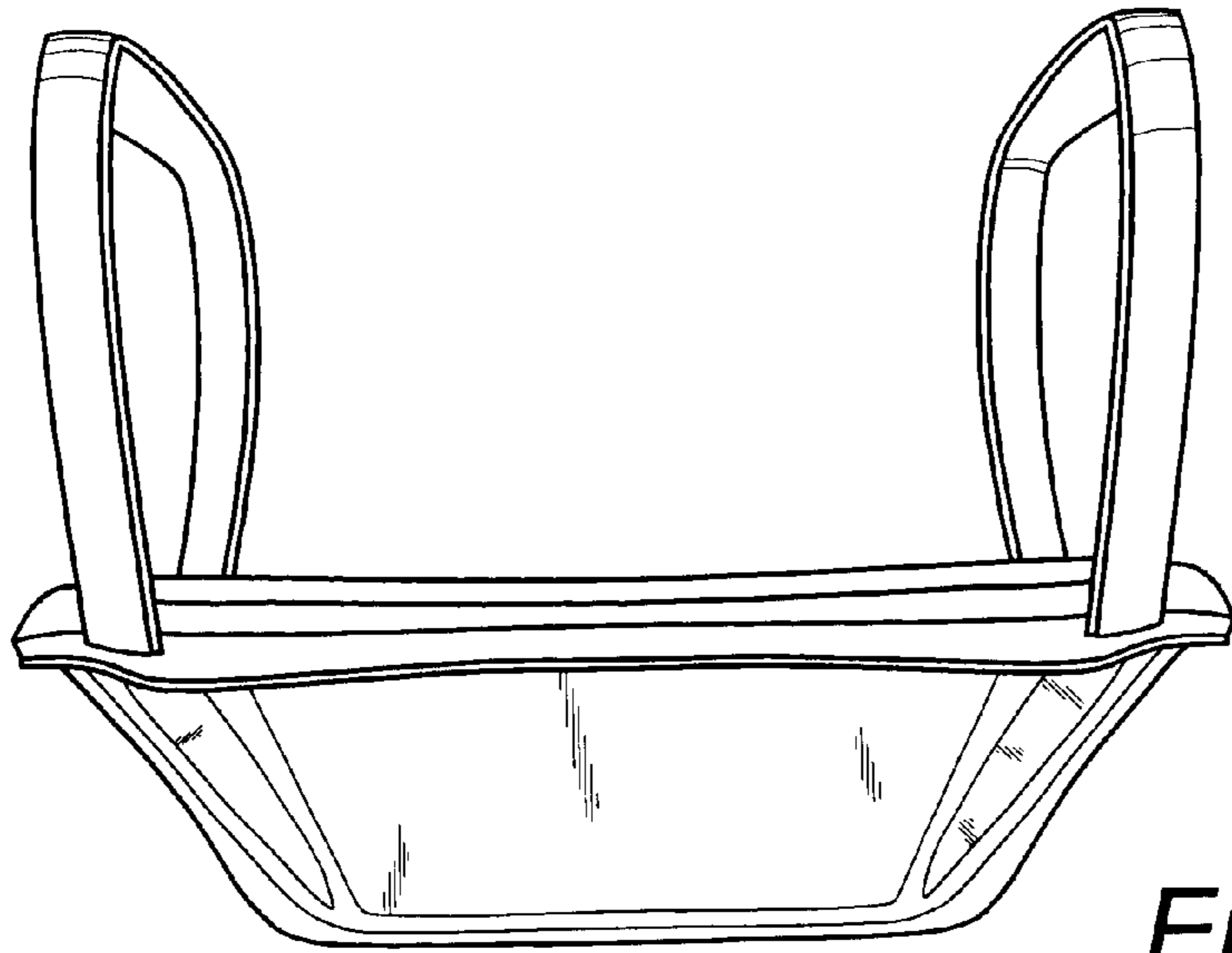


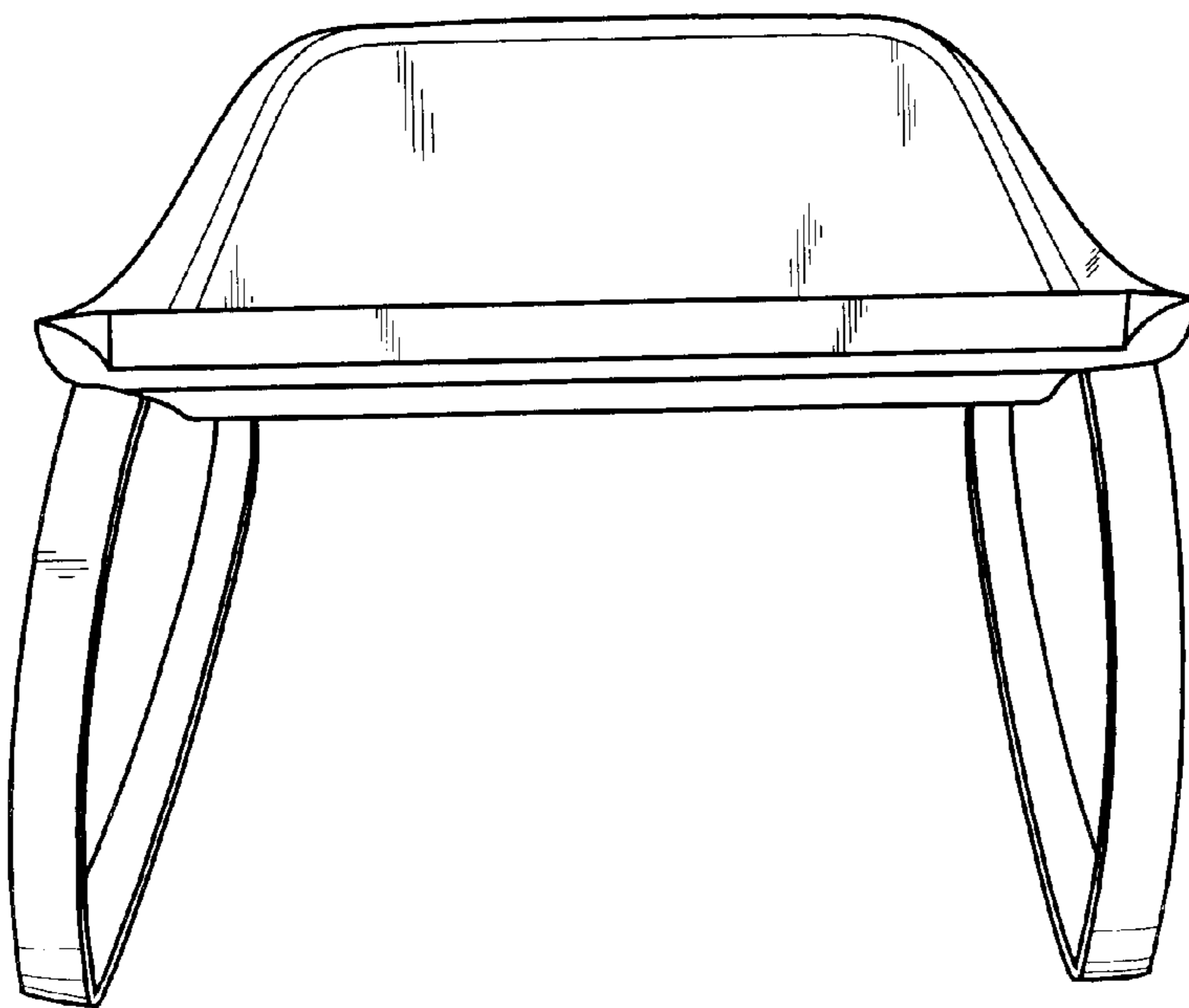
Fig. 4



*Fig. 5*



*Fig. 6*



*Fig. 7*



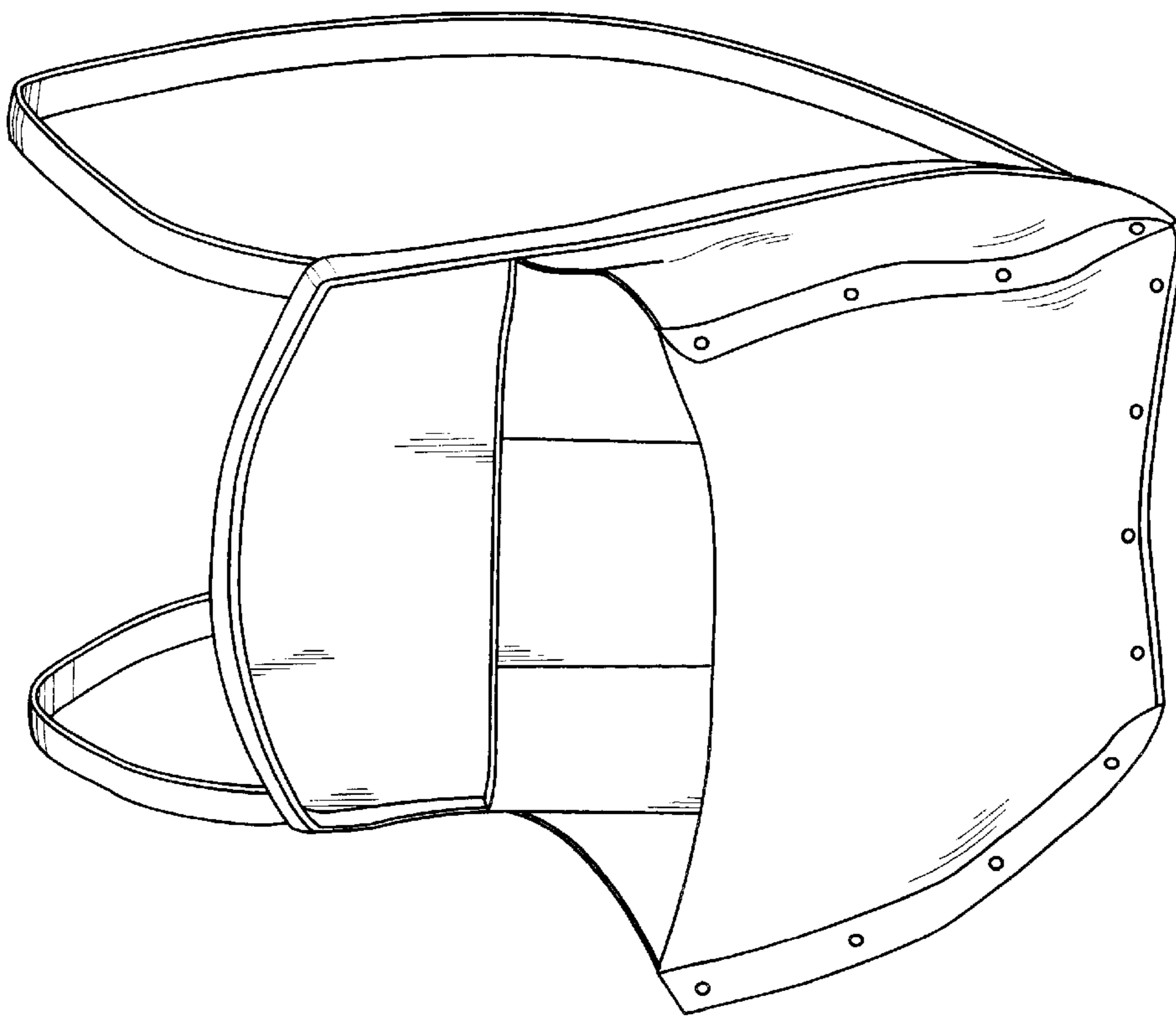


Fig. 8

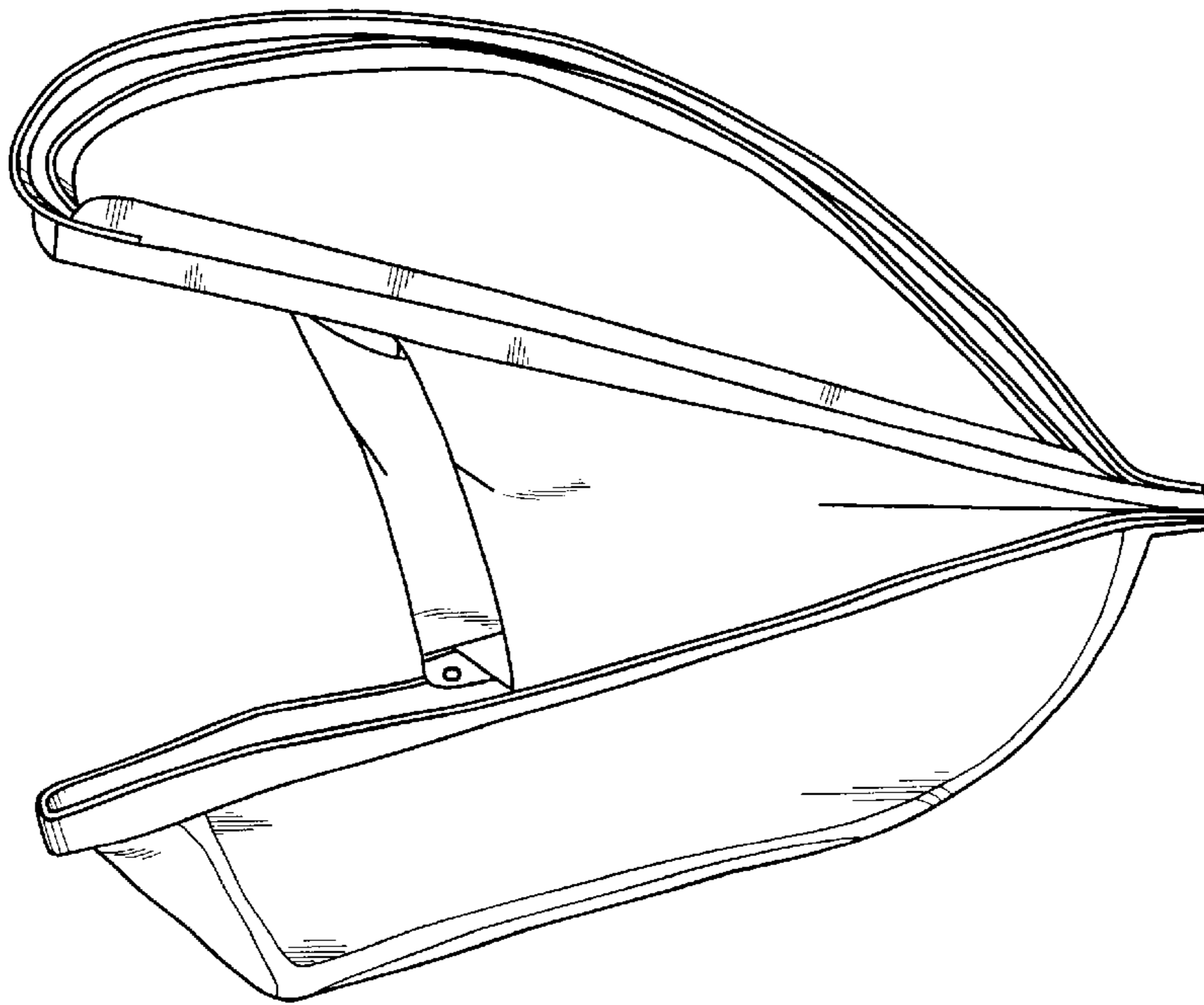
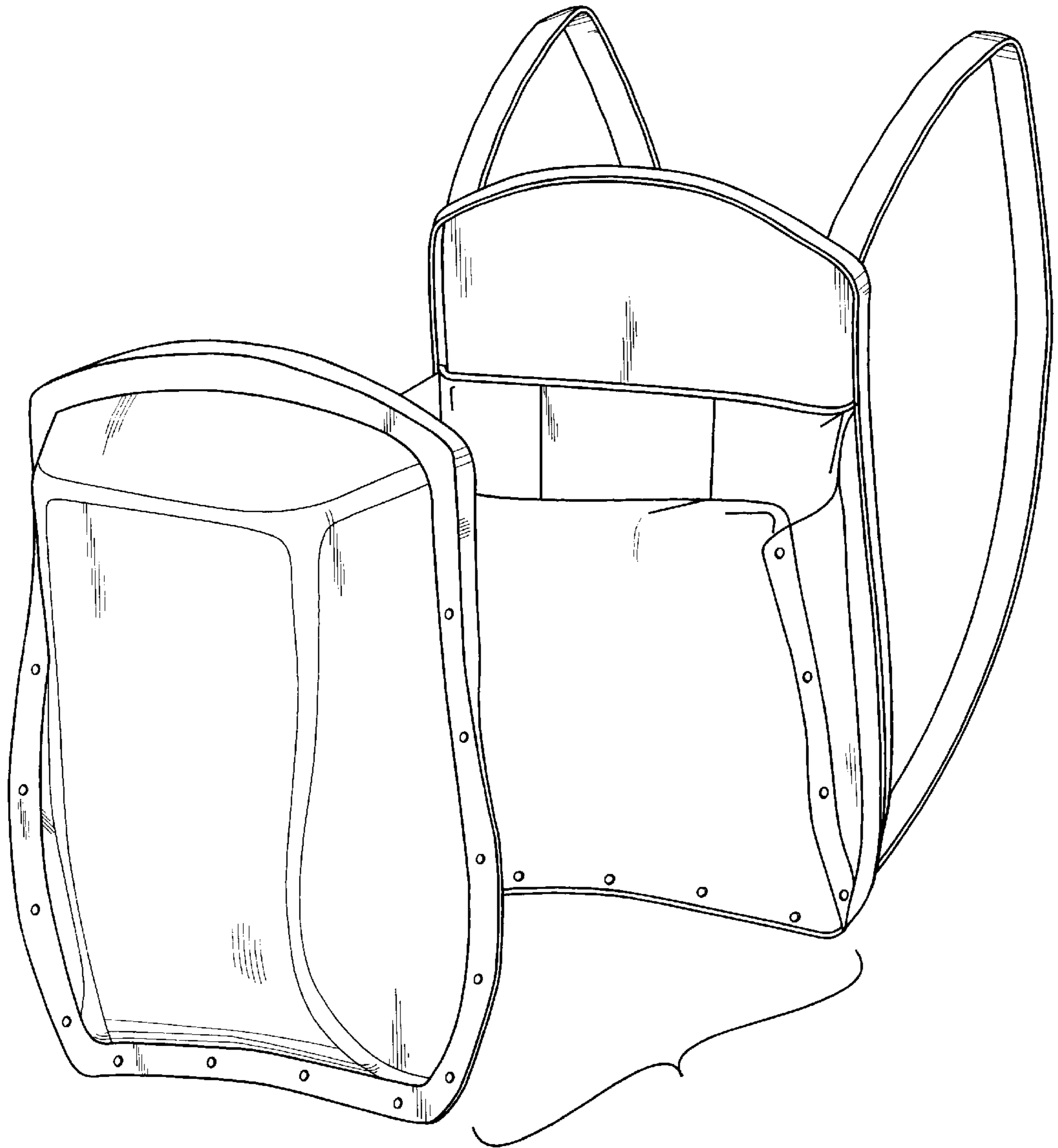
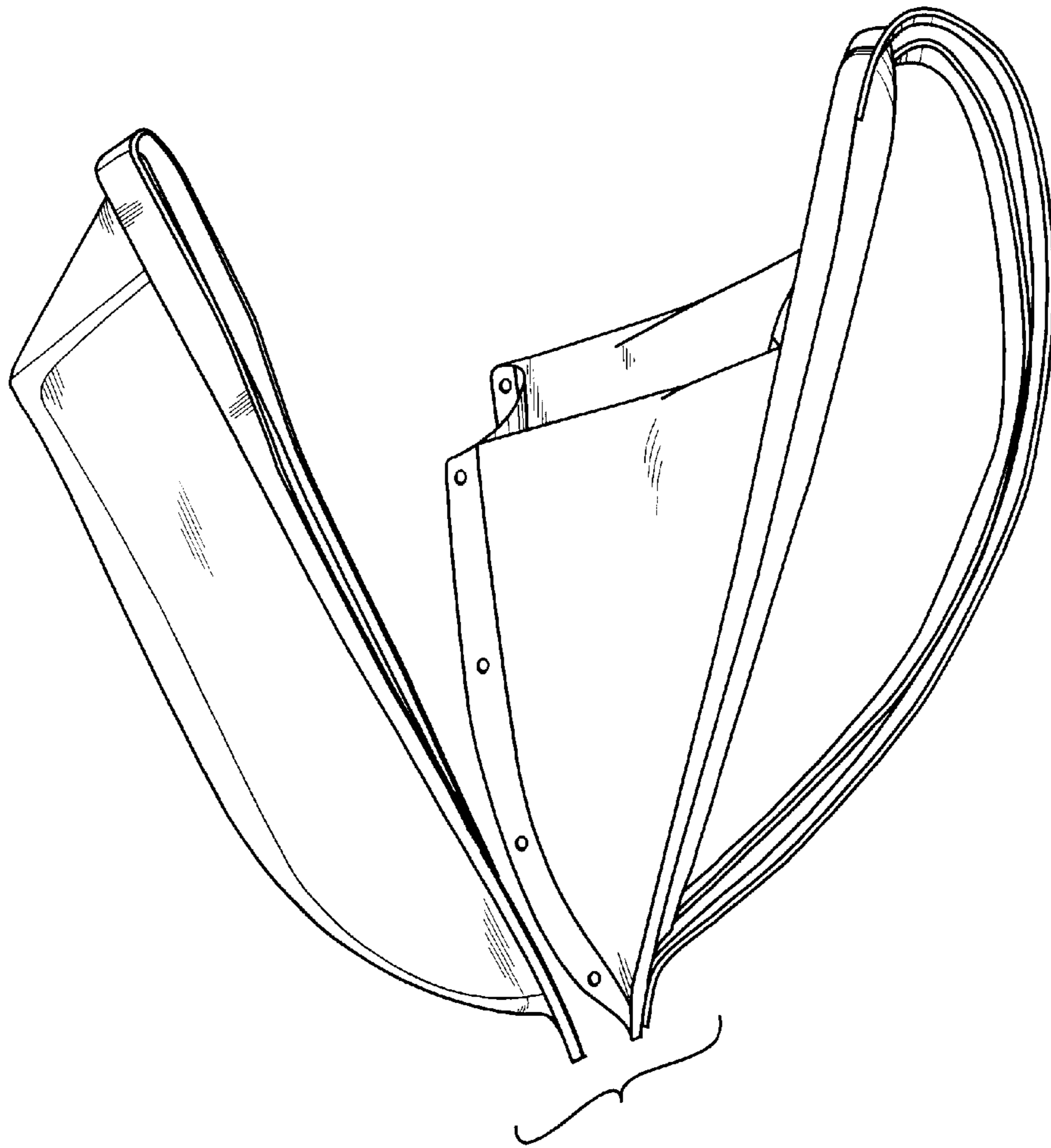


Fig. 11

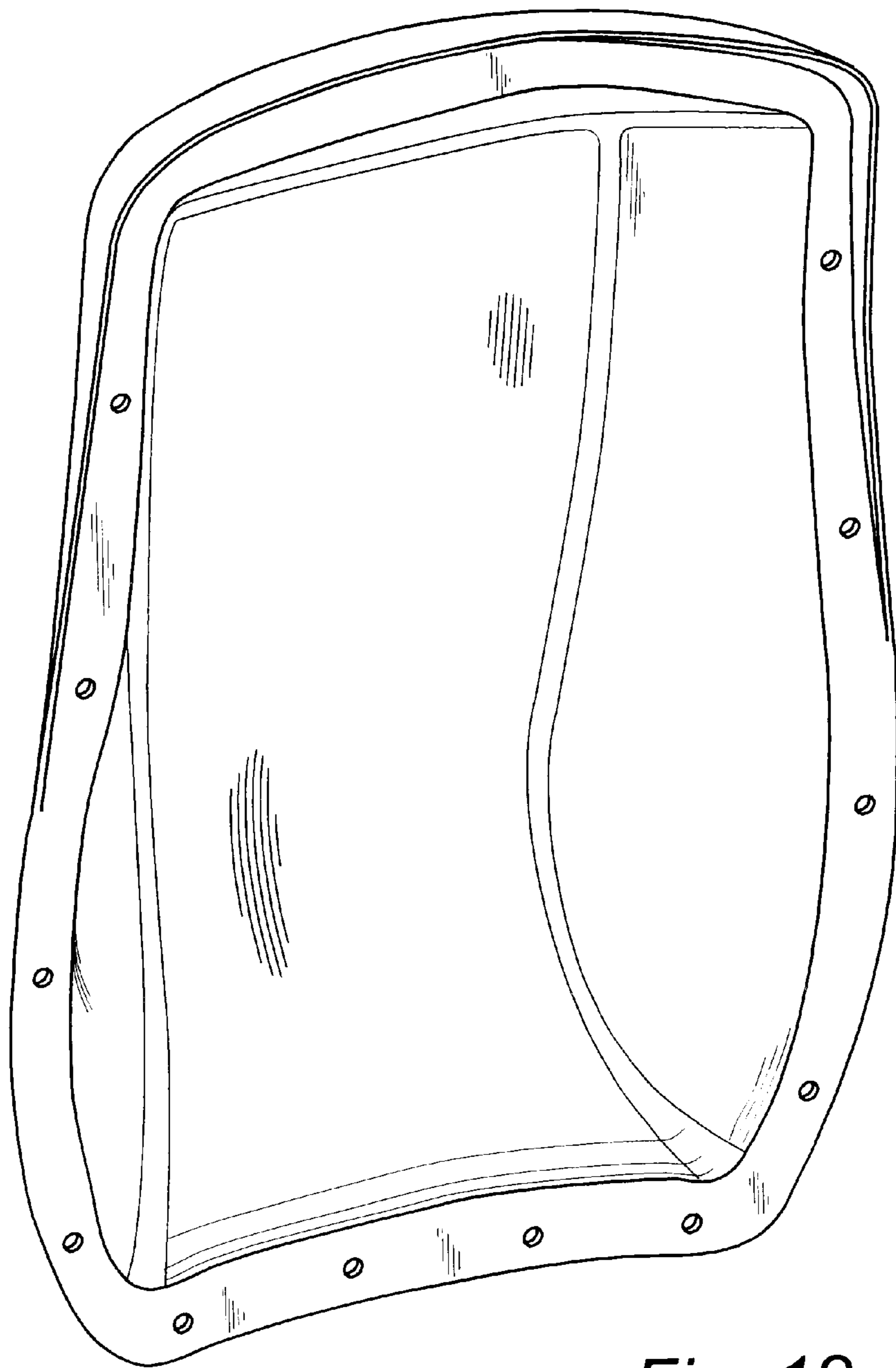


*Fig. 9*



*Fig. 10*





*Fig. 12*