



US00D461047S

(12) **United States Design Patent**
Peterson

(10) **Patent No.:** **US D461,047 S**

(45) **Date of Patent:** **** Aug. 6, 2002**

(54) **KEY FOB**

(75) Inventor: **John Peterson**, Toronto (CA)

(73) Assignee: **Digital Security Controls Ltd.**,
Concord (CA)

(**) Term: **14 Years**

(21) Appl. No.: **29/136,125**

(22) Filed: **Jan. 26, 2001**

(51) **LOC (7) Cl.** **03-01**

(52) **U.S. Cl.** **D3/208**

(58) **Field of Search** D3/207-212; 70/456 R,
70/456-458; 24/3.6, 381, 385, 415-417,
427-431

(56) **References Cited**

U.S. PATENT DOCUMENTS

D273,053 S	*	3/1984	Hamborg	D99/28
D342,830 S	*	1/1994	Zeller	D3/209
D369,902 S	*	5/1996	Petruzzi	D3/208
D380,895 S	*	7/1997	Tsui	D3/208

D388,953 S * 1/1998 Hartman et al. D3/212

D401,054 S * 11/1998 Hartmann et al. D3/212

D419,289 S * 1/2000 Edwards D3/208

* cited by examiner

Primary Examiner—Ralf Seifert

(57) **CLAIM**

An ornamental design for a key fob, as shown.

DESCRIPTION

FIG. 1 is a perspective view of the key fob having a slidable shield in a closed position;

FIG. 2 is a top view of the key fob;

FIG. 3 is a side view of the key fob;

FIG. 4 is a right end view of the key fob;

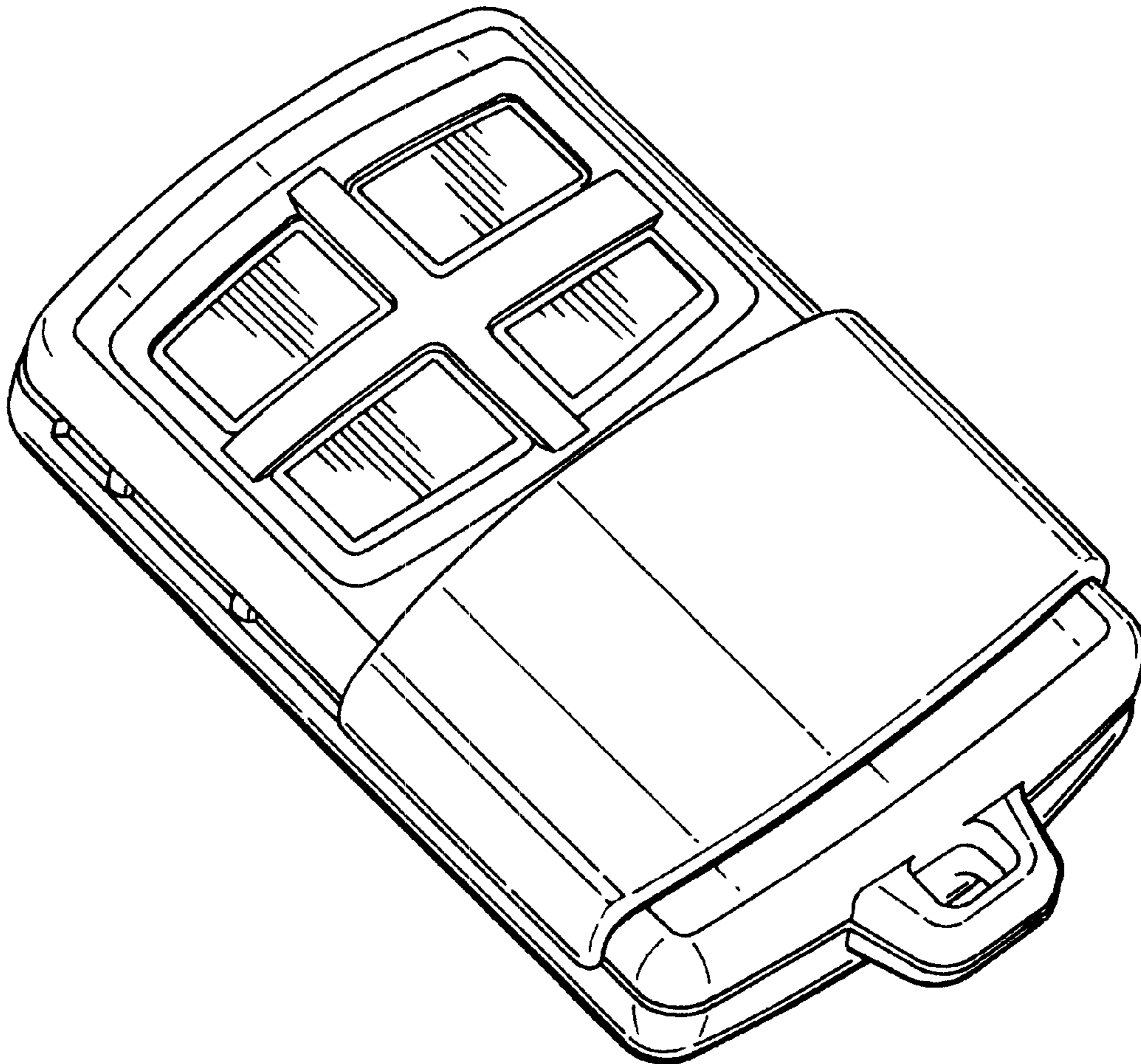
FIG. 5 is a left end view of the key fob;

FIG. 6 is a bottom end view of the key fob;

FIG. 7 is a perspective view of the key fob with a slidable shield in an open position; and,

FIG. 8 is a perspective view of a key fob showing a second embodiment of my new design.

1 Claim, 4 Drawing Sheets



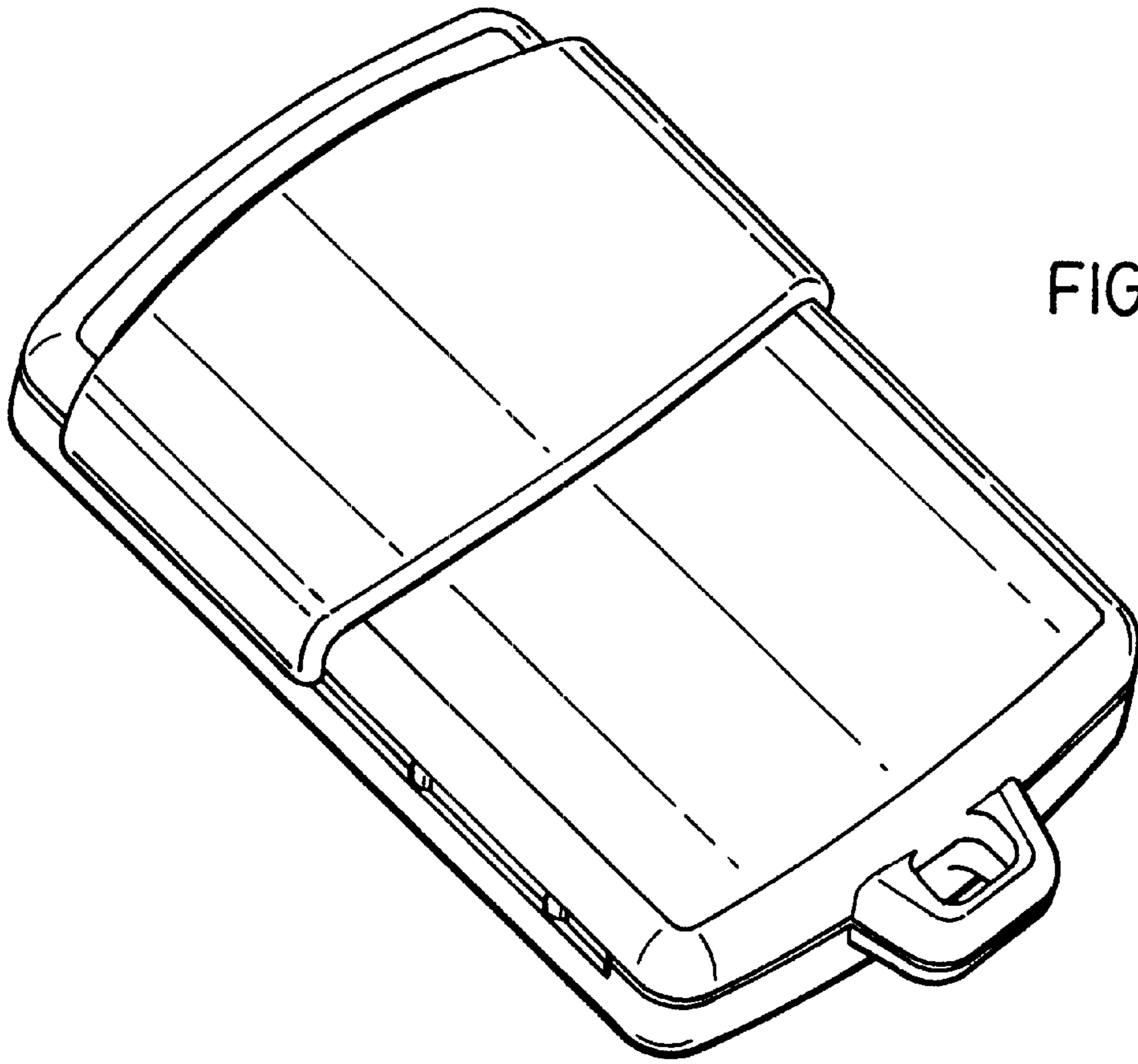
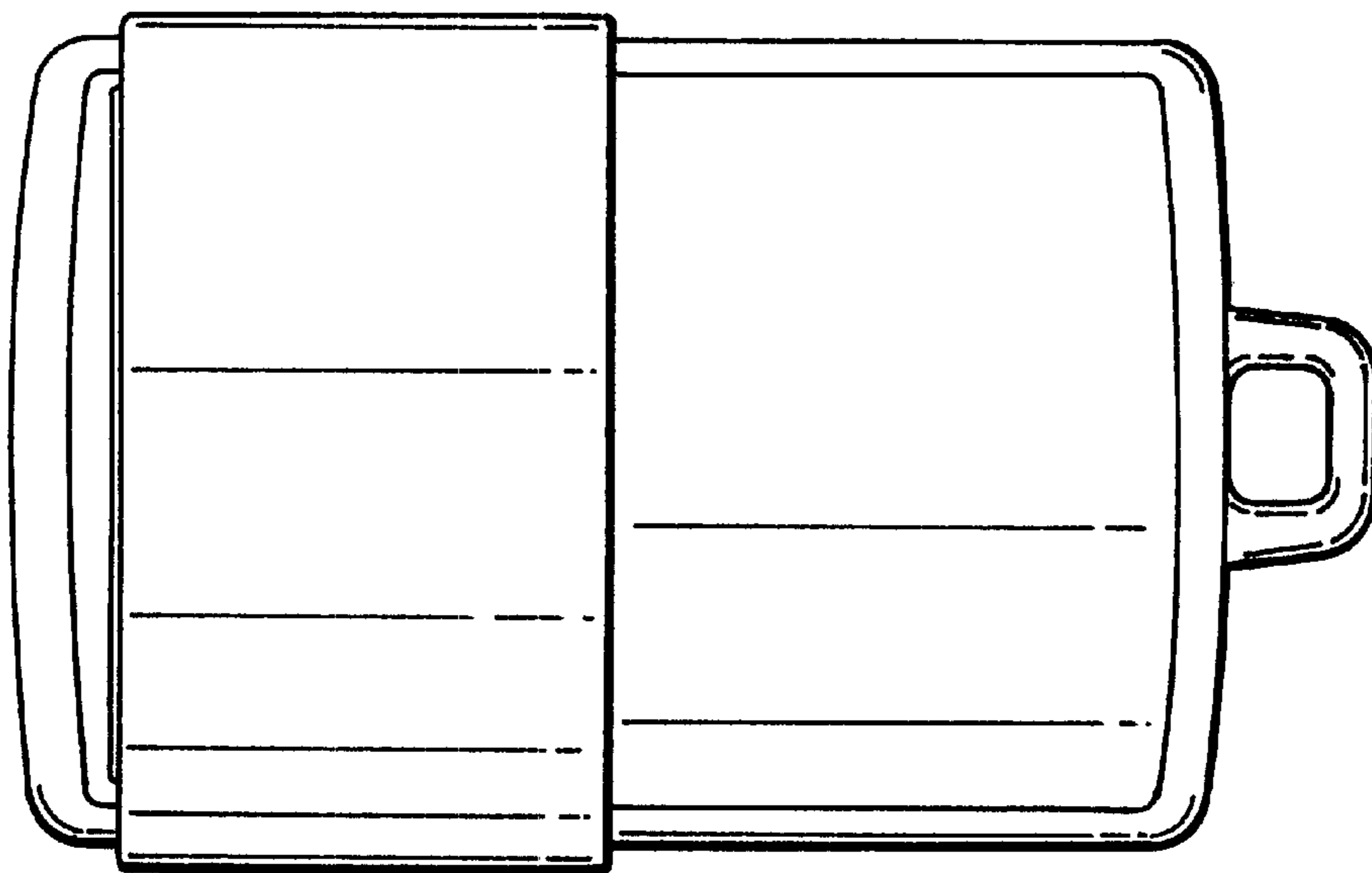


FIG. 1.

FIG. 2.



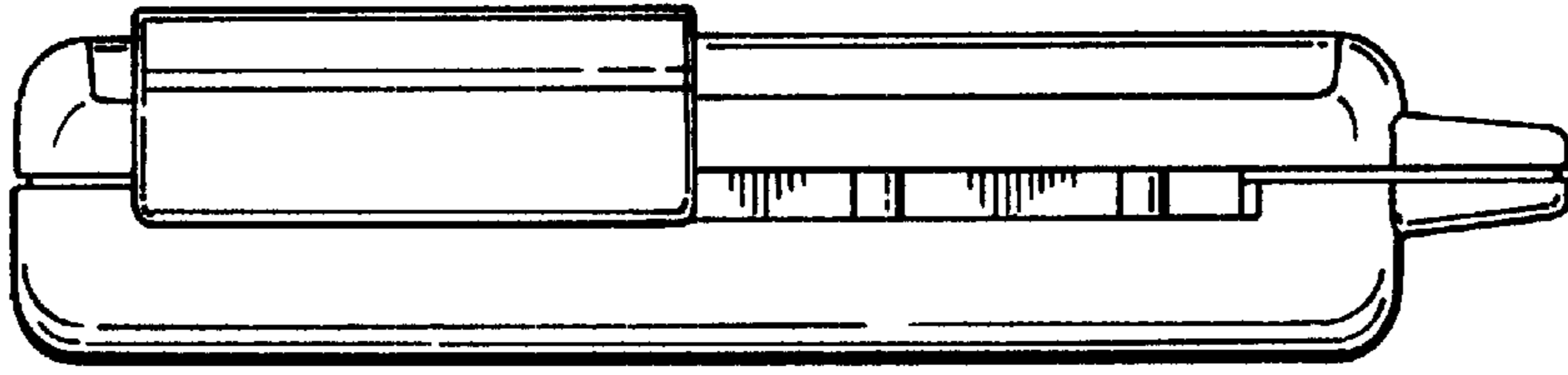


FIG. 3.

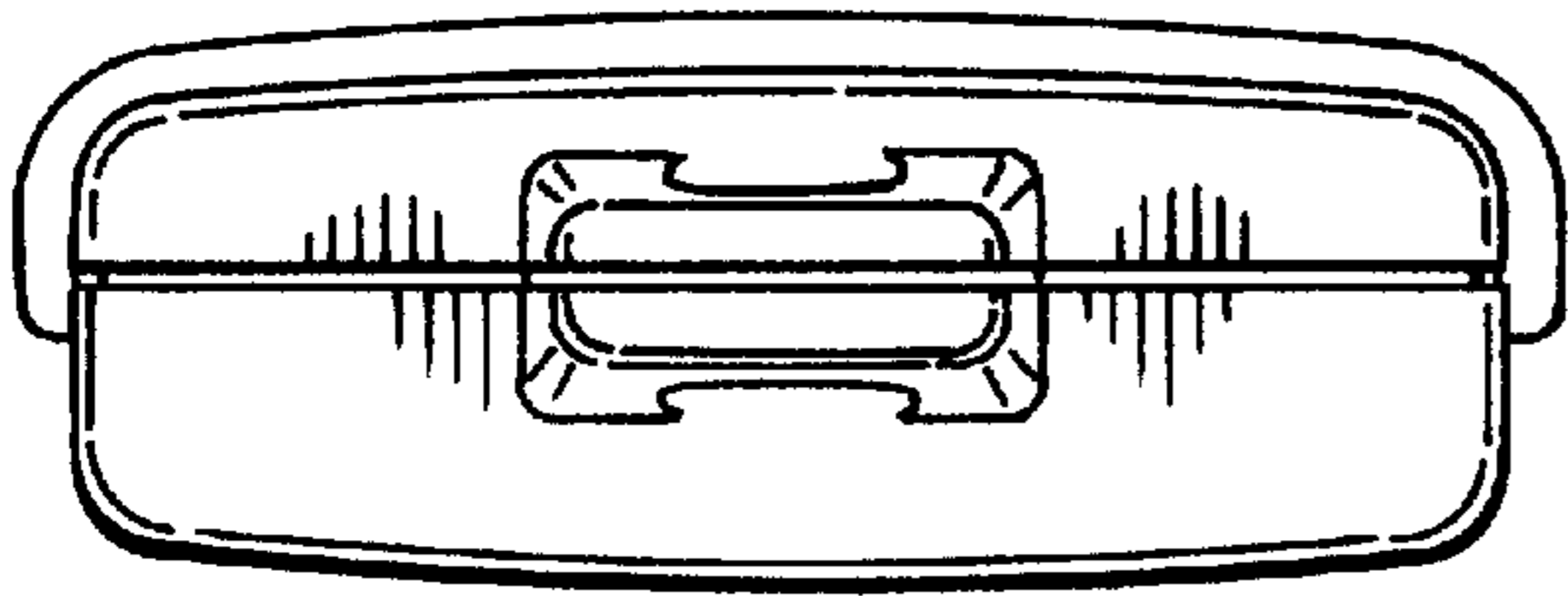


FIG. 4.

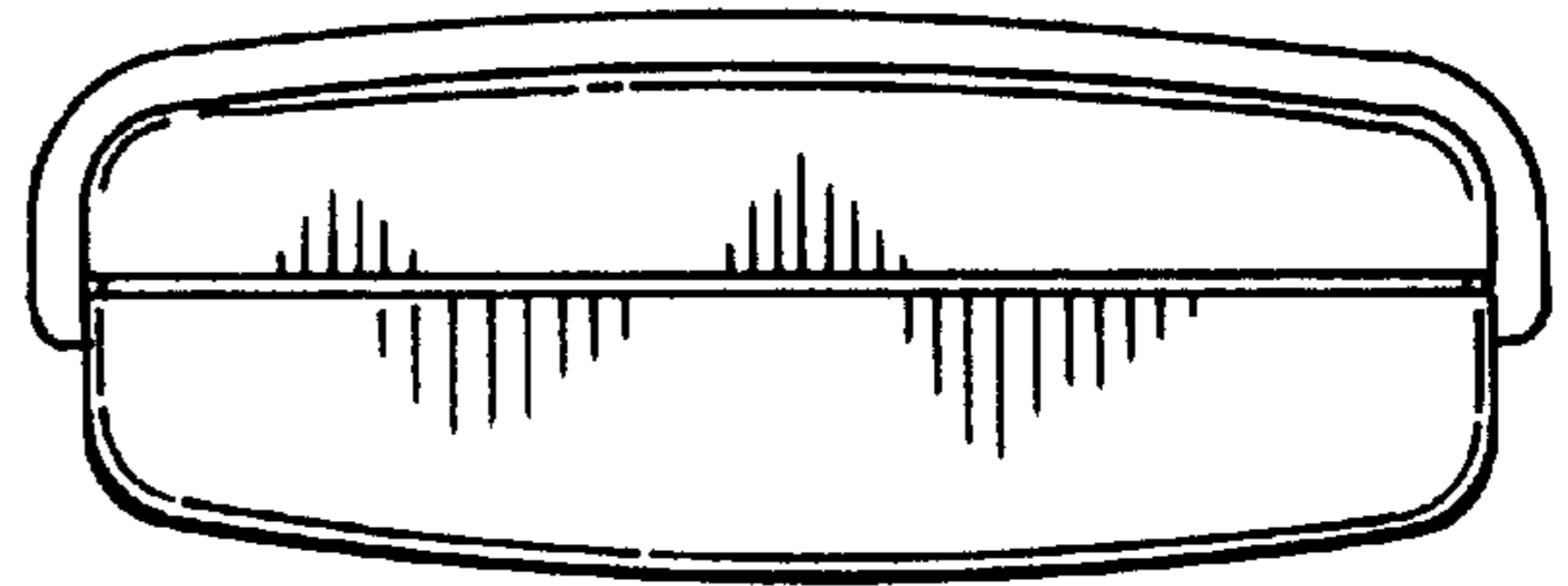


FIG. 5.

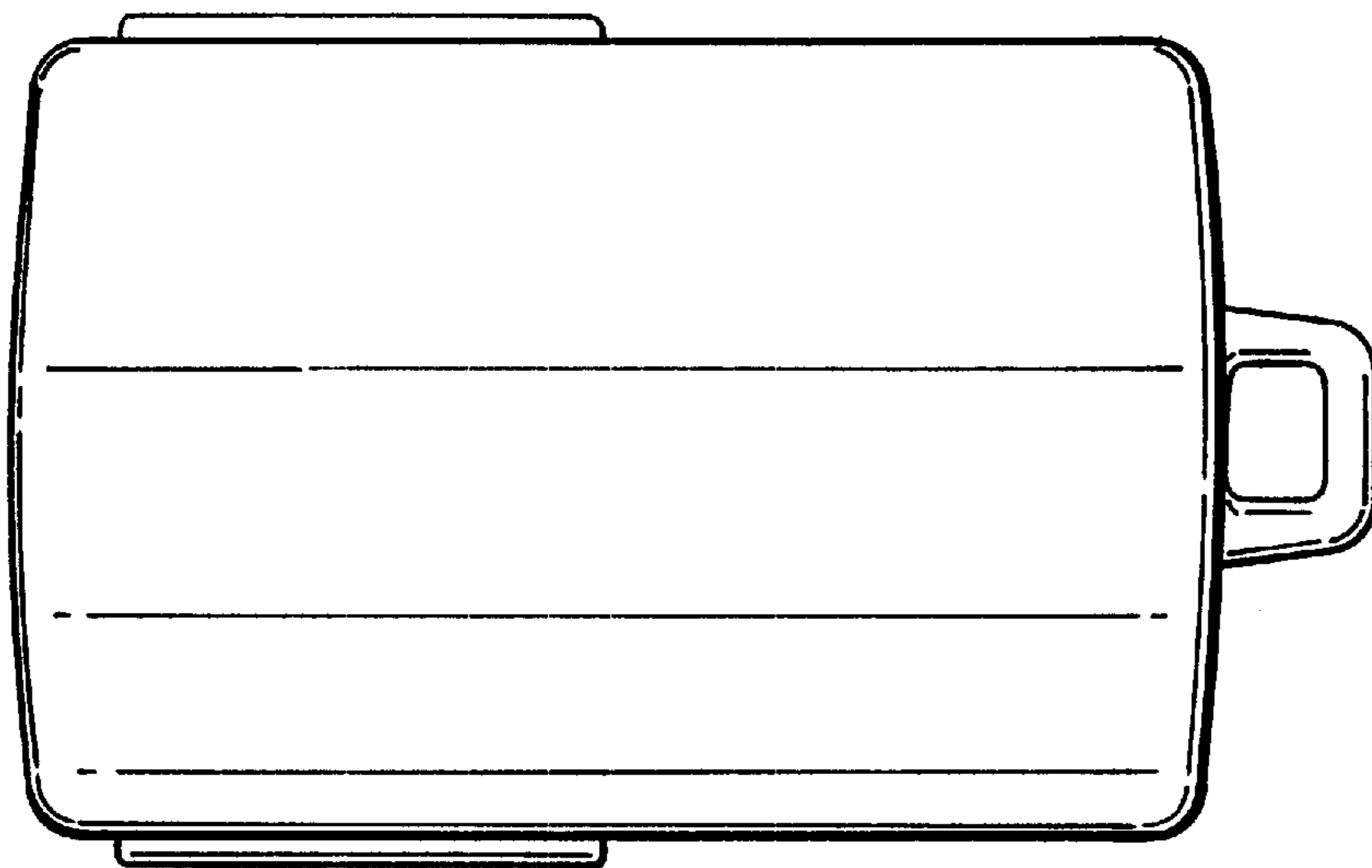


FIG. 6.

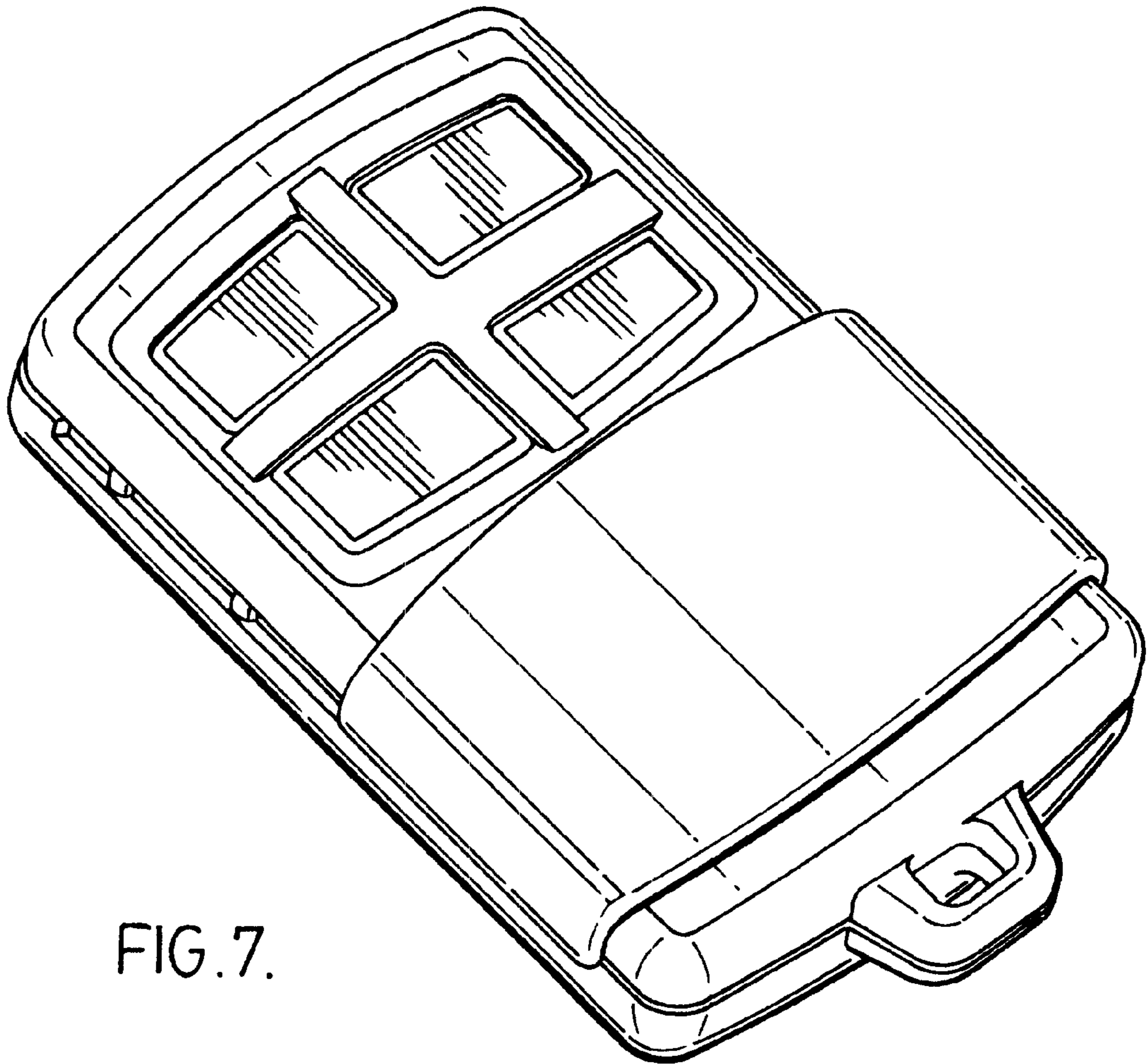


FIG. 7.

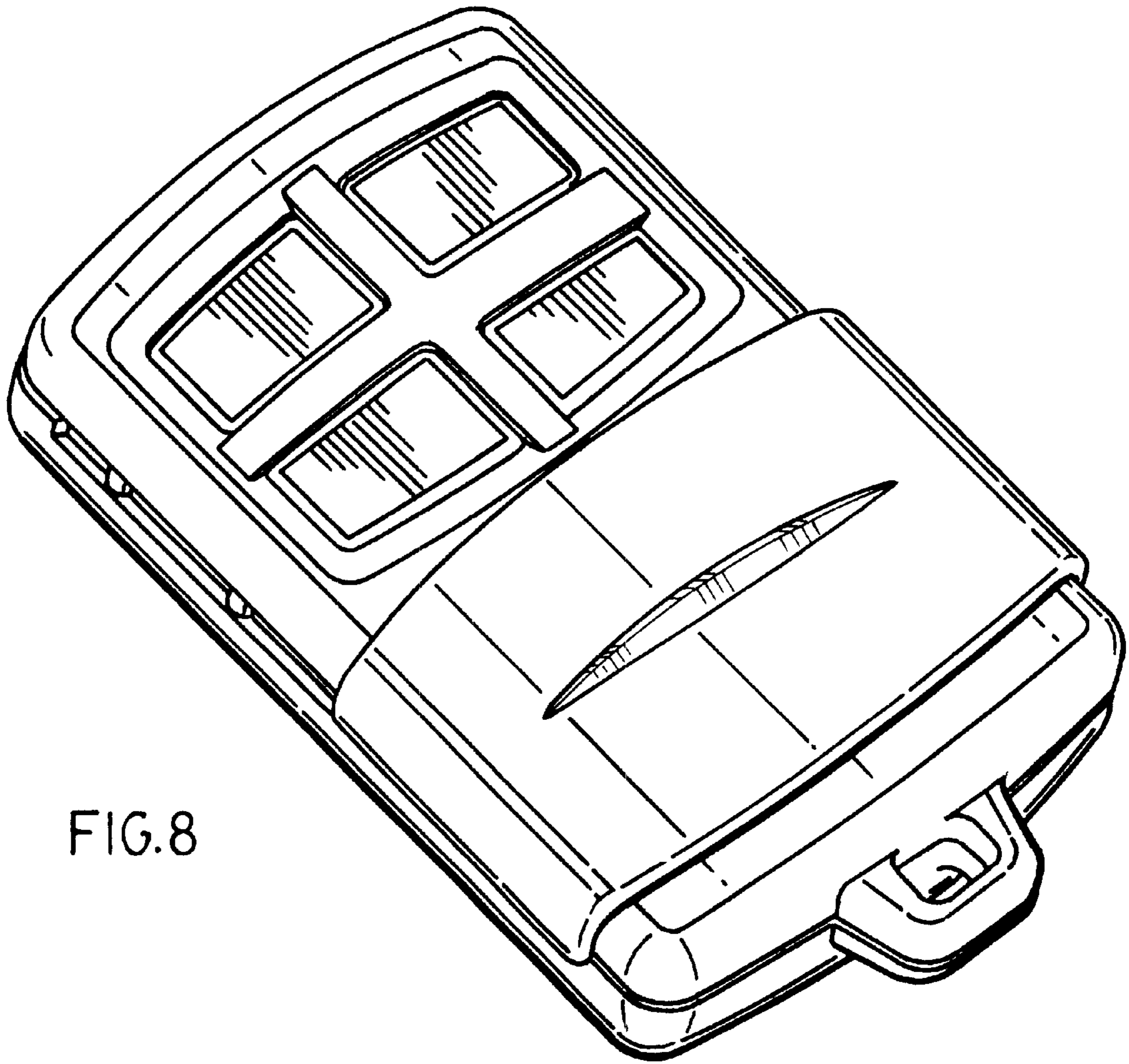


FIG.8