



US00D461037S

(12) **United States Design Patent**
Shutsa, Sr. et al.

(10) **Patent No.:** **US D461,037 S**

(45) **Date of Patent:** **** Aug. 6, 2002**

(54) **VEST**

(75) **Inventors:** **John A. Shutsa, Sr.**, Munroe Falls;
Howard J. Kornfeld, Lakewood, both
of OH (US)

(73) **Assignee:** **Cool Wire Distribution and Supply**,
Cuyahoga Falls, OH (US)

(**) **Term:** **14 Years**

(21) **Appl. No.:** **29/116,820**

(22) **Filed:** **Jan. 12, 2000**

(51) **LOC (7) Cl.** **02-02**

(52) **U.S. Cl.** **D2/830; D2/829; D2/833**

(58) **Field of Search** D2/828, 829, 830,
D2/836, 838, 839, 833; D29/101; 2/102;
362/108

(56) **References Cited**

U.S. PATENT DOCUMENTS

758,892 A	*	5/1904	Bewsic	2/102
888,059 A	*	5/1908	Bewsic	2/102
D106,869 S	*	11/1937	Miller		
2,137,085 A	*	1/1938	Hirschfeld	2/102

3,470,567 A	*	10/1969	Dellaguzzo	2/102
D273,818 S	*	5/1984	Spencer	D29/101
5,024,360 A	*	6/1991	Rodriguez	2/102
5,249,106 A	*	9/1993	Barnes et al.	362/108
5,485,355 A		1/1996	Voskoboinik et al.	362/84
D382,670 S	*	8/1997	Sayre	D29/101
5,753,381 A		5/1998	Feldman et al.	428/690

* cited by examiner

Primary Examiner—Celia Murphy

(74) *Attorney, Agent, or Firm*—Reese Taylor

(57) **CLAIM**

The ornamental design for a vest, as shown and described.

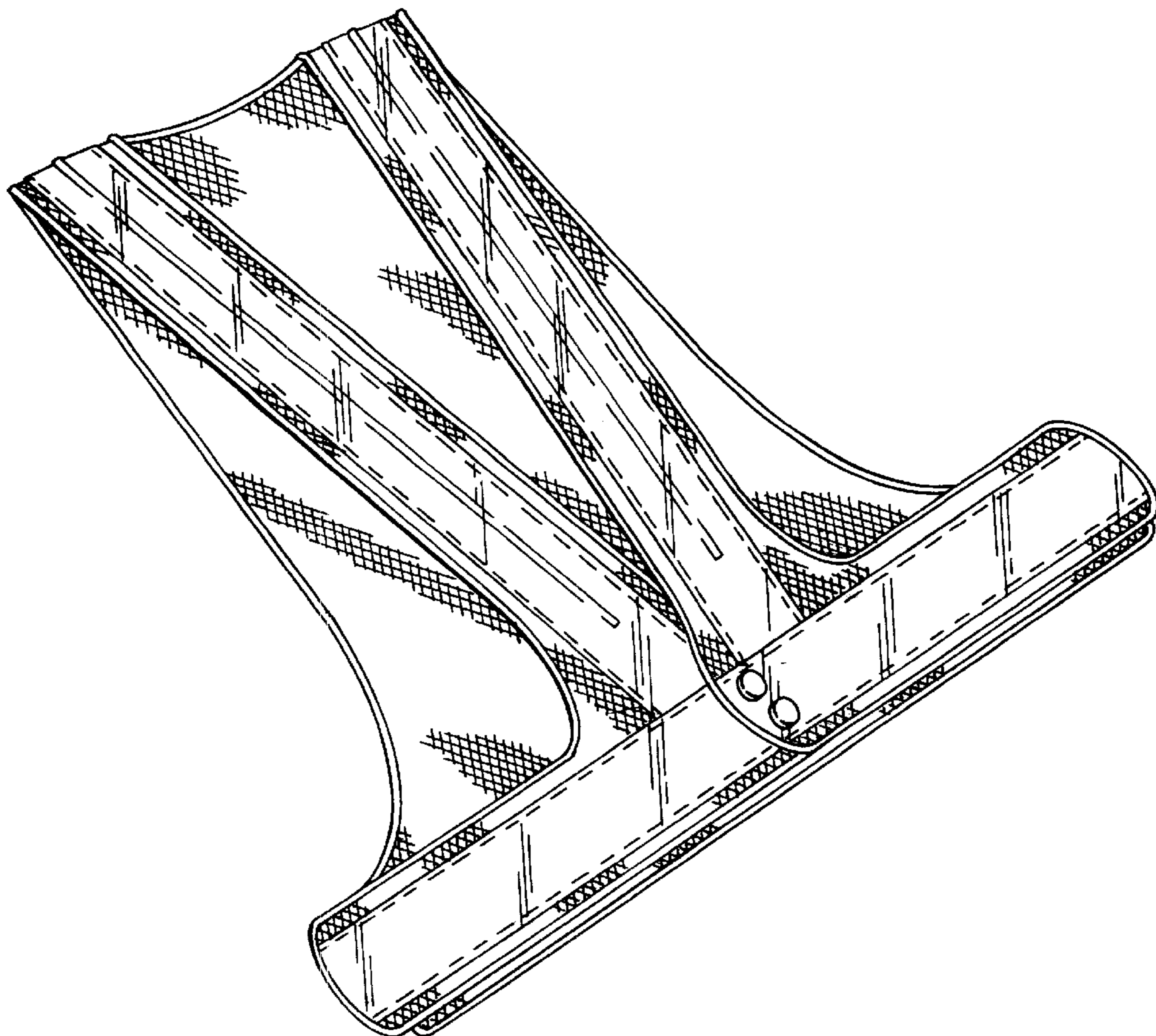
DESCRIPTION

FIG. 1 is a front perspective view of a vest, showing our new design;

FIG. 2 is a front view of the vest depicted in FIG. 1; and, FIG. 3 is a rear view of the covering depicted in FIGS. 1 and 2.

The short broken lines in FIGS. 1–3 represent stitching; and the long broken lines are for illustrative purposes only and form no part of the claimed design.

1 Claim, 3 Drawing Sheets



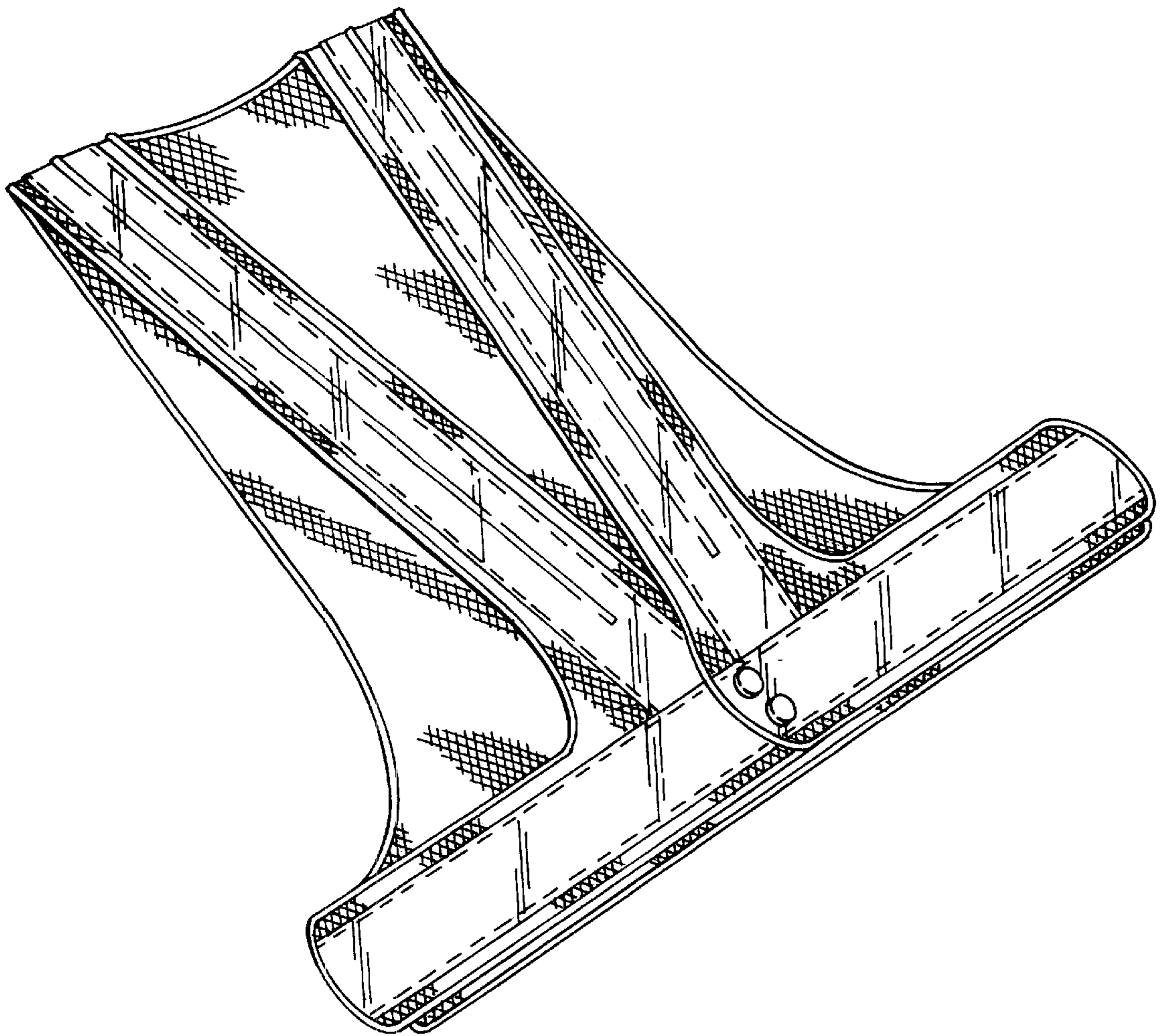


FIG. 1

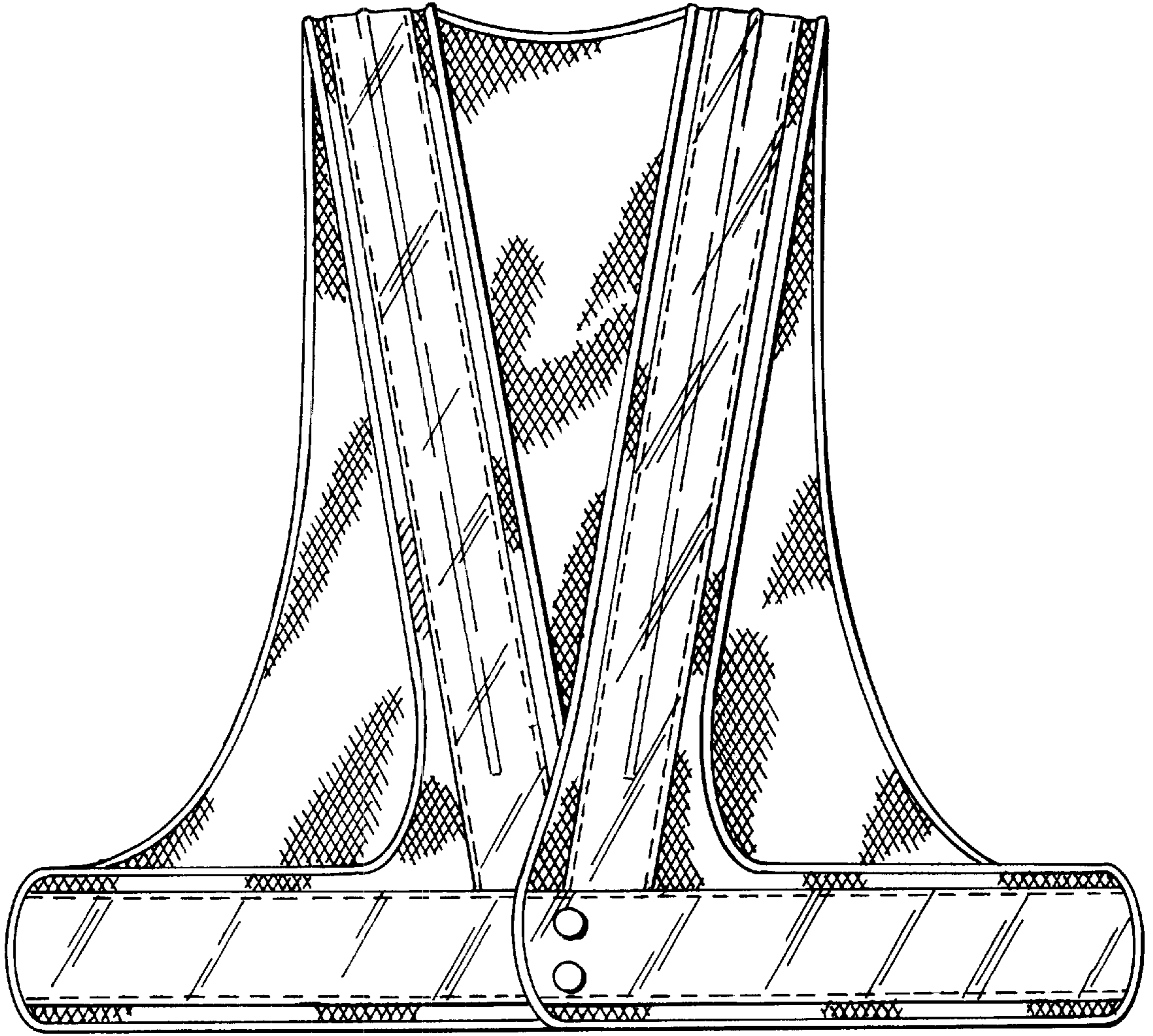


FIG. 2

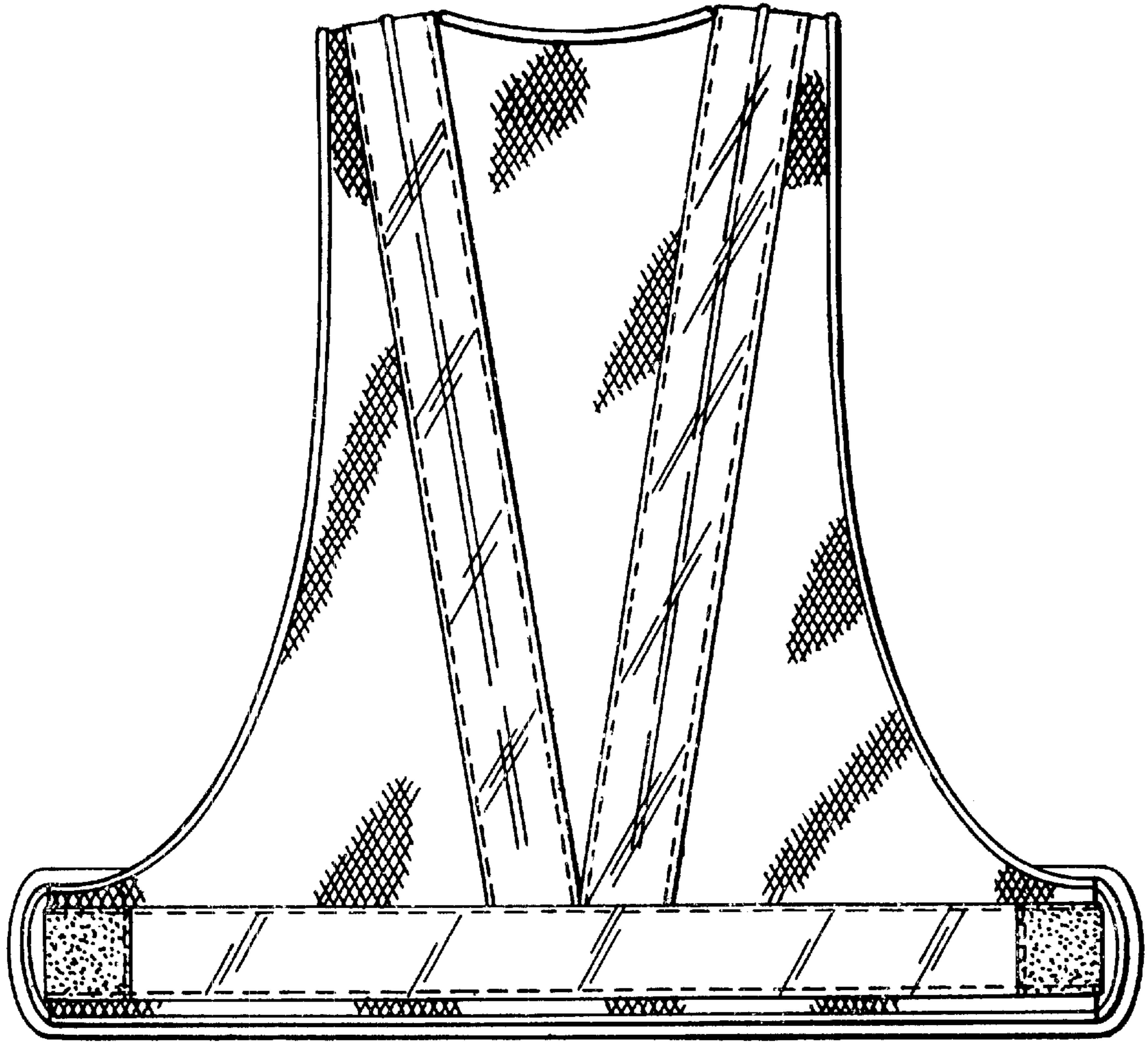


FIG. 3